



The Better Product People



Worldwide Support

**Pathology, Histology, Mortuary, Necropsy,
Laboratory Equipment and Supplies**



Contact Us:



PHONE

1-800-362-8491
1-248-291-2040
Monday – Friday

8:30 a.m. – 5:00 p.m. EST

Our representatives are always ready to assist you.



FAX

1-248-291-2050
Anytime, any day

Fax your order, no matter what time zone you are in.

ON THE WEB



www.mopec.com
You can order anytime on our safe and secure website.

Terms and Conditions of Sale

Orders will be billed Net 30 days. (Open account is subject to credit approval.) Freight will be prepaid and added to invoice. VISA, MasterCard and American Express accepted with a minimum \$25 order. NOTE: Special order items cannot be returned.



Shipping Information

We will ship by the best and most economical carrier unless specific shipping instructions accompany the order.

Damaged Goods and Returns

Carefully inspect for damage, piece count and correct item. If damage or shortage is found, notify Mopec immediately. All shortages must be reported within 72 hours of receipt of order. All returns must be accompanied by written authorization from Mopec and return authorization number must be listed on shipping label. Restocking charge may apply.

Items and prices are subject to change or may be discontinued without notice. All information presented is believed to be accurate and correct at time of printing. We reserve the right to correct errors, typographical or photo.

©2010 Mopec Inc., All rights reserved.

Dissection Instruments

Scissors, Forceps, Knives, Saws, Chisels, Mallets, Shears, Bone Cutting, Scalpel Blades, Retractors, Disinfectants, Sharpeners and Handles

1

Autopsy Accessories

Electric Saws and Blades, Dissecting Boards, Body Bags, Scales, Headrests, Scales and Carts

2

Histology

Roto Dry, Blades and Blade Holders, Staining Dishes, Slide Storage, Chill Tray, Microtome Tray

3

Fume Handling

Fume Exhaust Hoods, BF Series Grossing Stations, Tissue Storage/Transport, Replacement Fume Exhaust

4

Grossing Workstations

Backdraft, Back-Downdraft, Totaldraft, Dualdraft, Island Workstations, Handicapped Stations

5

Autopsy Sinks, Tables, Carts

Wall-Mounted Autopsy Sinks, Autopsy Carts, Embalming Workstations, Autopsy Tables

6

Dissection Tables

Dissection Carts and Tables, Dissection Tank

7

Transport and Handling

Cadaver Carriers and Transporters, Storage Racks, Body Trays, Mortuary Racks, Cadaver Lifts

8

Morgue Refrigerators

Mopec Refrigeration Technology, Telescoping Tray, Conveyor Tray and Walk In Refrigerator Systems

9

Lab Furniture and Casework

Cabinet Specifications, Storage Cabinets, Slope Tops, Ceiling Fillers, Tops and Sinks

10

Necropsy Equipment

Large Animal Tables, Small Animal Tables, Dump Stations, Down-Backdraft and Downdraft Stations

11

DISSECTION INSTRUMENTS

Chapter 1



Dissection Scissors	4-6
Specialty Scissors	7-11
Iris Scissors	12
SuperCut Scissors	13
Tungsten Carbide Scissors	14
Ti Alloy Scissors	15
Micro Scissors	16
Disposable Scissors	17
Dissection Forceps	18-19
Specialty Forceps	20-22
Delicate Forceps	23
CutMATE Forceps	24
Hemostatic Forceps	25
Ergonomic Forceps	26
Tungsten Forceps	27
Octagon Handled Forceps	28
Imprinted Forceps	29
Ergo-Gross Grips	30-31
Bone Chisels	32
Dissecting Knives	33
Grossing Knives	34-35
Disposable Macro-Prep Knives Standard	36
Disposable Macro-Prep Knives Premium	37
Knives Standard	38
Disposable Scalpels	39
Blades and Handles	40-42
Blades Removers	42
Scissor Sharpeners, ZawBones	43
Quicksmart Blade Removal System	44-45
Sharpeners	46-48
Saws	49
Bone Cutting	50-53
Multi-Function Dissection Tools	54-55
Dissection Tools	55
Retractors	56-57

Dissection Aids	58-59
Dissection Containers	60
Instrument Cases	61
Postmortem Needles	62-63
Needle Pullers and Thread	64
Needle Holder and Stapler	65
Skin Punch and Medical Bags	66
Measurement	67-68
Cleaning & Disinfecting	69-71
Care and Cleaning of Instruments	72

Dissection Scissors

1

2

3

4

5

6

7

8

9

10

11

Sharp Sharp Curved

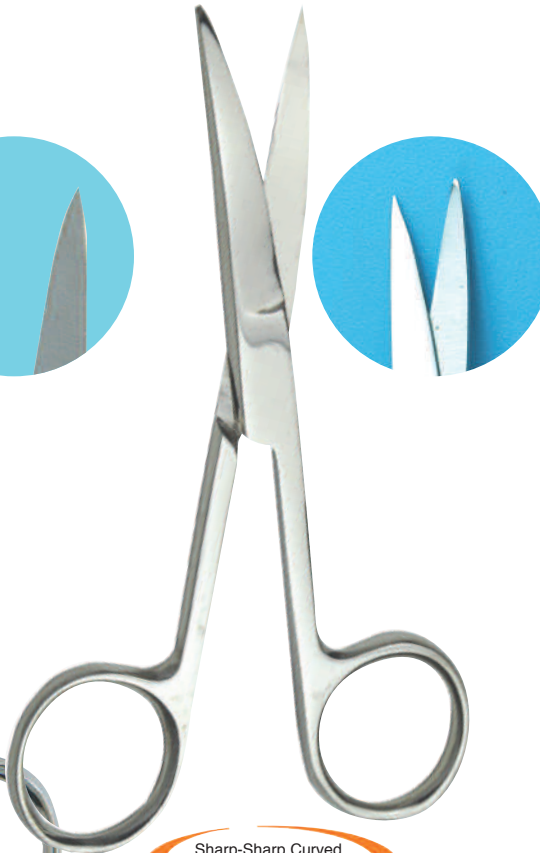
For fast, precise tissue dissection of surgical and anatomical cases.

Sharp Blunt Straight

For safe, surgical and anatomical dissection cases.



Sharp-Sharp Straight
Shown at 5-1/2"
AA002



Sharp-Sharp Curved
Shown at 4-1/2"
AA004



Sharp-Blunt Straight
Shown at 5-1/2"
AA008

Sharp-Sharp Straight

Standard Grade

4-1/2" (114.3 mm)
5-1/2" (139.7 mm)
6-1/2" (165.1 mm)

Product No.

AA001
AA002
AA003

Premium Grade

4-1/2" (114.3 mm)
5-1/2" (139.7 mm)
6-1/2" (165.1 mm)

Product No.

AA101
AA102
AA103

Sharp-Sharp Curved

Standard Grade

4-1/2" (114.3 mm)
5-1/2" (139.7 mm)
6-1/2" (165.1 mm)

Product No.

AA004
AA005
AA006

Premium Grade

4-1/2" (114.3 mm)
5-1/2" (139.7 mm)
6-1/2" (165.1 mm)

Product No.

AA104
AA105
AA106

Sharp-Blunt Straight

Standard Grade

4-1/2" (114.3 mm)
5-1/2" (139.7 mm)
6-1/2" (165.1 mm)

Product No.

AA007
AA008
AA009

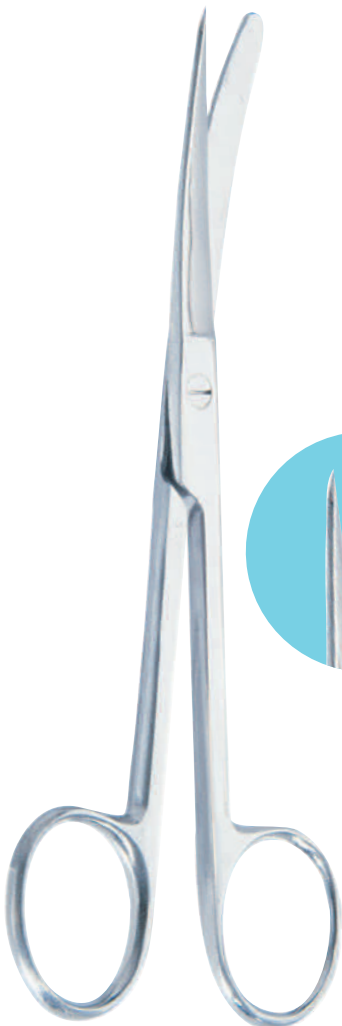
Premium Grade

4-1/2" (114.3 mm)
5-1/2" (139.7 mm)
6-1/2" (165.1 mm)

Product No.

AA107
AA108
AA109

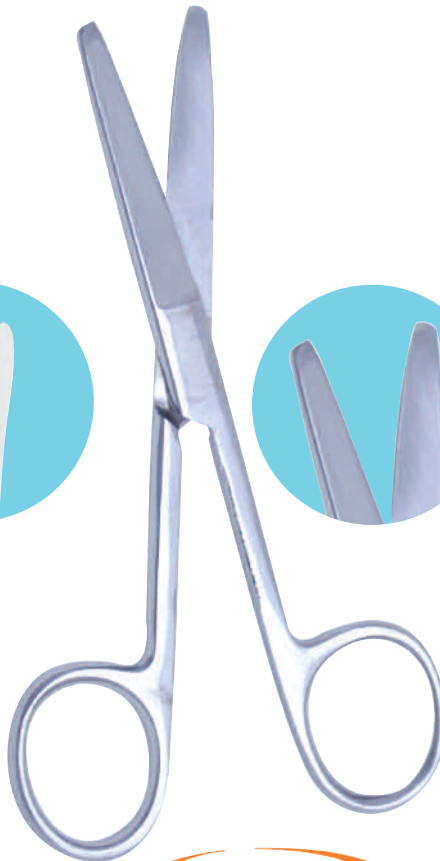
Dissection Scissors



Sharp-Blunt Curved
Shown at 5-1/2"
AA011

Sharp-Blunt Curved

Standard Grade	Product No.
4-1/2" (114.3 mm)	AA010
5-1/2" (139.7 mm)	AA011
6-1/2" (165.1 mm)	AA012
Premium Grade	Product No.
4-1/2" (114.3 mm)	AA110
5-1/2" (139.7 mm)	AA111
6-1/2" (165.1 mm)	AA112



Blunt-Blunt Straight
Shown at 4-1/2"
AA013

Blunt-Blunt Straight

Standard Grade	Product No.
4-1/2" (114.3 mm)	AA013
5-1/2" (139.7 mm)	AA014
6-1/2" (165.1 mm)	AA015
Premium Grade	Product No.
4-1/2" (114.3 mm)	AA113
5-1/2" (139.7 mm)	AA114
6-1/2" (165.1 mm)	AA115



Blunt-Blunt Curved
Shown at 6-1/2"
AA018

Blunt-Blunt Curved

Standard Grade	Product No.
4-1/2" (114.3 mm)	AA016
5-1/2" (139.7 mm)	AA017
6-1/2" (165.1 mm)	AA018
Premium Grade	Product No.
4-1/2" (114.3 mm)	AA116
5-1/2" (139.7 mm)	AA117
6-1/2" (165.1 mm)	AA118

1

2

3

4

5

6

7

8

9

10

11

Dissection Scissors

1

2

3

4

5

6

7

8

9

10

11



Potts-Smith Scissor
Shown at 7-1/2"
AA145

Potts-Smith Scissor

- Tip is angled for those hard to reach places during dissection
- Premium grade, made of the highest quality German stainless steel

Description

7-1/2" (190.5 mm) 45°
7-1/2" (190.5 mm) 60°

Product No.

AA145
AA144



Straight,
Shown at 4.1"
AA146

Dissecting Iris Scissor

Also referred to as the "Ribbon Scissor" because of its unique and finger friendly, comfort handle. With a curved tip and extra wide handle this scissor is easy on the hand. This precise and delicate scissor is made of the highest quality German stainless steel. Extra sharp tips for intricate work.

Description

Straight Tip, 4.1" (104.1 mm)
Curved Tip, 3.7" (93.9 mm)

Product No.

AA146
AA147

Specialty Scissors



Mayo
Shown at 6-1/4"
AA022

Mayo Dissecting Scissors

For controlled precise dissection with minimal damage to surrounding tissue. Slightly blunt tips assure precise yet safe dissection.

Standard Grade

Curved, 5-1/2" (139.7 mm)

Curved, 6-1/4" (171.45 mm)

Curved, 9" (228.6 mm)

Premium Grade

Curved, 5-1/2" (139.7 mm)

Curved, 6-1/4" (158.75 mm)

Product No.

AA021

AA022

AA050

Product No.

AA121

AA122



Mayo - Straight,
Shown at 5-1/2"
AA020

Mayo - Straight

Standard Grade

Straight, 5-1/2" (139.7 mm)

Straight, 6-3/4" (171.5 mm)

Straight, 9" (228.6 mm)

Premium Grade

Straight, 5-1/2" (139.7 mm)

Straight, 6-3/4" (171.5 mm)

Product No.

AA019

AA020

AA049

Product No.

AA119

AA120

1

2

3

4

5

6

7

8

9

10

11

Specialty Scissors

1

2

3

4

5

6

7

8

9

10

11



Mayo - Nobel, Curved
Shown at 6-1/2"
AA142

Mayo - Nobel

Heavy duty shank and rounded tips.

Standard Grade

Straight, 6-1/2" (165.1 mm)
Curved, 6-1/2" (165.1 mm)

Product No.

AA141
AA142



Dubois Decapitation
Straight AA027

Dubois Decapitation

Extra heavy-duty pattern, blunt tips.

Standard Grade

Straight, 10-1/2" (266.7 mm)

Premium Grade

Curved, 10-1/2" (266.7 mm)

Product No.

AA027

Product No.

AA127

Specialty Scissors

Metzenbaum Scissors

Offering a unique combination of narrow blunt tips along with thin delicate shafts for delicate dissection and minimal damage to surrounding tissues.



Metzenbaum - Straight
Shown at 7"
AA024

Straight

Standard Grade

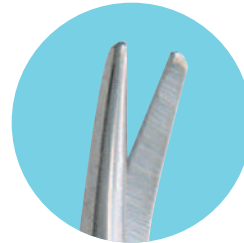
Straight, 5-1/2" (139.7 mm)
Straight, 7" (177.8 mm)
Straight, 9" (228.6 mm)
Straight, 11" (279.4 mm)

Premium Grade

Straight, 5-1/2" (139.7 mm)
Straight, 7" (177.8 mm)
Straight, 9" (228.6 mm)
Straight, 11" (279.4 mm)

Product No.

AA023
AA024
AA037
AA038
AA123
AA124
AA137
AA138



Metzenbaum - Curved
Shown at 5-1/2"
AA025

Curved

Standard Grade

5-1/2" (139.7 mm)
7" (177.8 mm)
9" (228.6 mm)
11" (279.4 mm)

Premium Grade

5-1/2" (139.7 mm)
7" (177.8 mm)
9" (228.6 mm)
11" (279.4 mm)

Product No.

AA025
AA026
AA039
AA040
AA125
AA126
AA139
AA140

1

2

3

4

5

6

7

8

9

10

11

Specialty Scissors

1

2

3

4

5

6

7

8

9

10

11



G.I. Enterotomy
Shown at 8"
AH003

Enterotomy
Shown at 5-1/2"
AA033

G.I. Enterotomy

Sturdy general purpose gastro-intestinal scissors for all surgical and anatomical cases.

Standard Grade

Hook blade, 8" (203.2 mm)

Product No.

AH003

Premium Grade

Hook blade, 8" (203.2 mm)

Product No.

AH103

Enterotomy

Excellent for minor enterotomy cases.

Standard Grade

Angled, Lower Probe Point,

3-1/2" (88.9 mm)

4-1/2" (114.3 mm)

5-1/2" (139.7 mm)

Left Hand, 5-1/2" (139.7 mm)

Product No.

AA031

AA032

AA033

AA043

Specialty Scissors

1

2

3

4

5

6

7

8

9

10

11



Doyen Abdominal
Shown at 7"
AA035



Double curve, finger friendly

Doyen Abdominal

General purpose blunt point abdominal dissection scissors with extended shaft length.

Standard Grade

Straight, 7" (177.8 mm)
Curved, 7" (177.8 mm)

Product No.

AA035
AA036

Premium Grade

Straight, 7" (177.8 mm)
Curved, 7" (177.8 mm)

Product No.

AA135
AA136

Delicate Double Curved Sharp Scissor

Finger friendly ribbon handle. Extra sharp with single serrated edge. The double curvature of this scissor makes dissection easier in hard to reach areas or where a clear view is not always an option. Made in Germany of high grade stainless steel.

4-5/8" L (117.4 mm)

Product No. AA154

Iris Scissors

1

2

3

4

5

6

7

8

9

10

11



Iris, curved
Shown at 4-1/8"
AA029



Iris, angled
Shown at 4-1/8"
AA030



Iris, Straight
Shown at 4-1/8"
AA028



Iris, Angled
Shown at 4-1/2"
AA130

Iris Scissors

For precise vascular and neurological dissection. Ideal for small specimens and animal dissection.

Standard Grade

- Straight, 4-1/8" (104.7 mm)
- Curved, 4-1/8" (104.7 mm)
- Angled, 4-1/2" (114.3 mm)
- Angular Sharp/Probe Points, 4-1/2" (114.3 mm)

Product No.

- AA028
- AA029
- AA030
- AA034

Premium Grade

- Straight, 4-1/2" (114.3 mm)
- Curved, 4-1/2" (114.3 mm)
- Angled, 4-1/2" (114.3 mm)

Product No.

- AA128
- AA129
- AA130

SuperCut Scissors



SuperCut Dissection
AA508

SuperCut Metzenbaum
Curved,
AA525

SuperCut Iris
Straight, Shown
at 4-1/2" AA528

SuperCut Iris
Curved, Shown
at 4-1/2" AA529

SuperCut Scissors

Mopec's SuperCut Scissors are manufactured in Germany using the highest grade surgical steel. Tempered and hardened for a longer sharper life than ordinary steel the SuperCut blade has a specially designed razor sharp edge.

Dissection

Sharp/Blunt

Straight, 5-1/2" (139.7 mm)
Curved, 5-1/2" (139.7 mm)

Product No.
AA508
AA511

Metzenbaum

Delicate

Straight, 5-1/2" (127 mm)
Curved, 5-1/2" (127 mm)

Product No.
AA523
AA525

Standard Grade

Curved, 7" (177.8 mm)
Curved, 9" (228.6 mm)

Product No.
AA526
AA539

Stevens Tenotomy

Standard Grade

Straight, 4-1/2" (114.3 mm)
Curved, 4-1/2" (114.3 mm)

Product No.
AA535
AA536



Iris

Standard Grade

Straight, 4-1/2" (114.3 mm)
Curved, 4-1/2" (114.3 mm)

Product No.
AA528
AA529

Mayo

Standard Grade

Straight, 5-1/2" (139.7 mm)
Curved, 5-1/2" (139.7 mm)
Straight, 6-3/4" (171.5 mm)
Curved, 6-3/4" (171.5 mm)
Straight, 9" (228.6 mm)
Curved, 9" (228.6 mm)

Product No.
AA519
AA521
AA520
AA522
AA537
AA538



Tungsten Carbide

Mopec's unique tungsten carbide cutting edges provide effortless, yet accurate cuts through the toughest of surgical or autopsy tissue. Scissor shanks are tempered to the ideal hardness to allow proper flexibility and comfort. Finger rings are well rounded and polished allowing better feel while preventing finger fatigue during complex dissection cases. These high quality German manufactured instruments provide superior performance and long life, making this your best instrument purchase.

1

2

3

4

5

6

7

8

9

10

11



Dissecting

Standard Grade
 Straight, Sharp/Blunt, 5-1/2" (139.7 mm)
 Straight, Sharp/Sharp, 5-1/2" (139.7 mm)
 Curved, Sharp/Sharp, 5-1/2" (139.7 mm)
 Curved, Sharp/Blunt, 5-1/2" (139.7 mm)

Product No.
 AA401
 AA402
 AA403
 AA404

Iris

Standard Grade
 Straight, 4-1/2" (114.3 mm)
 Curved, 4-1/2" (114.3 mm)

Product No.
 AA405
 AA406

Metzenbaum

Standard Grade
 Straight, 5-1/2" (139.7 mm)
 Curved, 5-1/2" (139.7 mm)
 Straight, 7" (177.8 mm)
 Curved, 7" (177.8 mm)
 Straight, 8" (203.2 mm)
 Straight, 9" (228.6 mm)
 Curved, 9" (228.6 mm)
 Curved, 11" (279.4 mm)

Product No.
 AA407
 AA408
 AA409
 AA410
 AA411
 AA413
 AA414
 AA415

Mayo

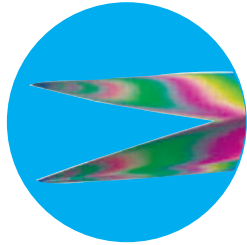
Standard Grade
 Straight, 5-1/2" (139.7 mm)
 Curved, 5-1/2" (139.7 mm)
 Straight, 6-3/4" (171.5 mm)
 Curved, 6-3/4" (171.5 mm)
 Straight, 9" (228.6 mm)
 Curved, 9" (228.6 mm)

Product No.
 AA416
 AA417
 AA418
 AA419
 AA420
 AA421

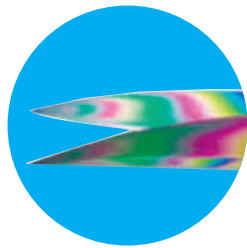
Ti Alloy Scissors

Titanium Stainless Steel Scissors weigh approximately 25% less than traditional stainless steel, making them the first choice for many technicians since there is less stress on the hand. Ti Alloy instruments keep edges sharper, longer than traditional instruments so scissors stay sharper twice as long. Also, they are more stain resistant than stainless steel.

NOTE: Do not use bleach or other caustic chemicals as the color is baked on. Warranty may be voided.

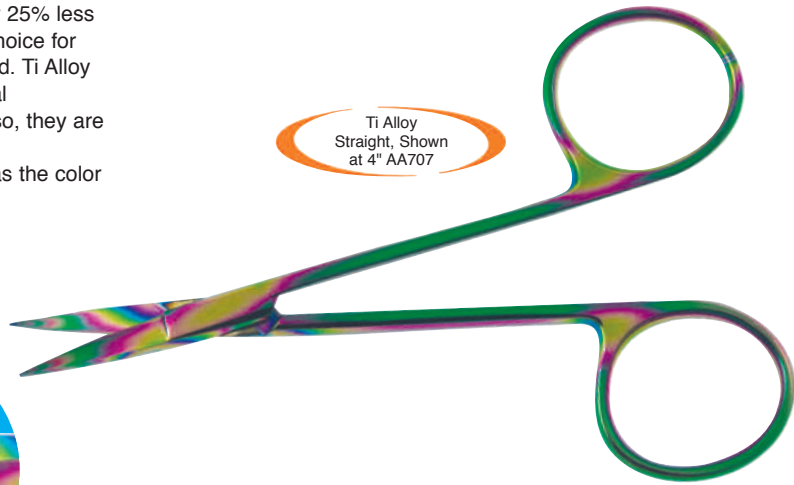


Ti Alloy Straight Tip
AA708



Ti Alloy Curved Tip
AA708

Ti Alloy
Straight, Shown
at 4" AA707



Iris Scissors

Standard Grade

Straight, 4" (101.6 mm)
Curved, 4" (101.6 mm)

Product No.

AA707
AA708



Mayo Scissors

Standard Grade

Straight, 6-3/4" (171.4 mm)
Curved, 6-3/4" (171.4 mm)

Product No.

AA701
AA702

Metzenbaum Scissors

Standard Grade

Straight, 5-1/2" (139.7 mm)
Curved, 5-1/2" (139.7 mm)
Straight, 7" (177.8 mm)
Curved, 7" (177.8 mm)

Product No.

AA703
AA704
AA705
AA706

- 1
- 2
- 3
- 4
- 5
- 6
- 7
- 8
- 9
- 10
- 11

Micro Scissors

Delicate scissors for very precise dissection.
Excellent for pediatric cases and small animal dissection.

1

2

3

4

5

6

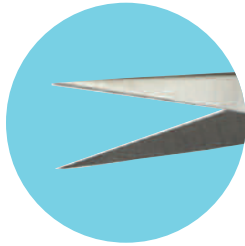
7

8

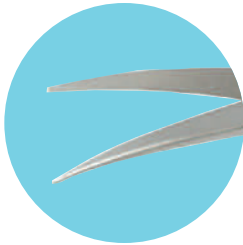
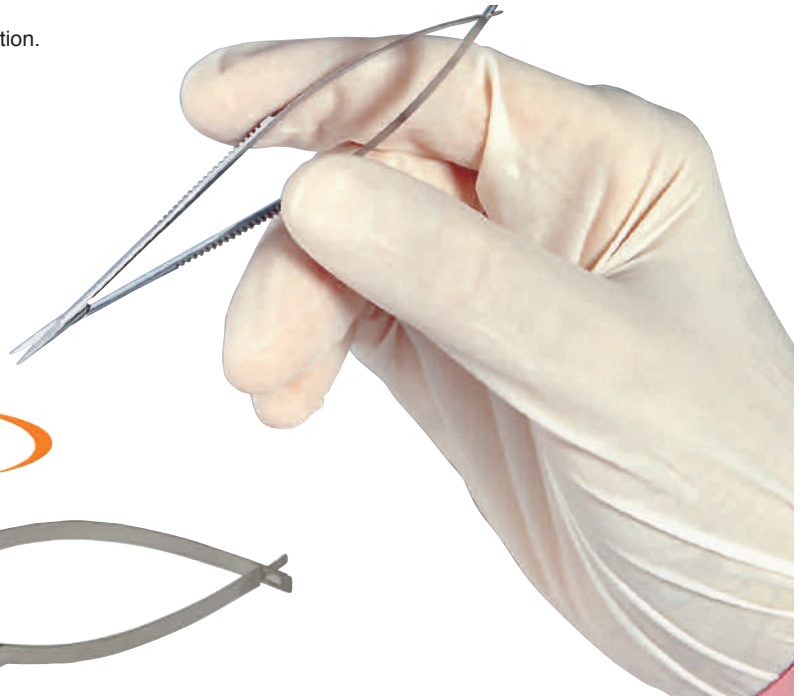
9

10

11



Micro Iris
Straight, Shown
at 4" AA150



Micro Iris Scissors

Standard Grade

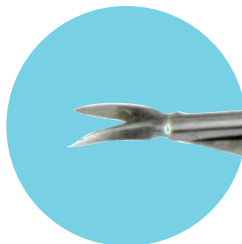
Straight, Sharp Points, 4" (101.6 mm)
Curved, Sharp Points, 4" (101.6 mm)

Product No.

AA150
AA151



Micro Iris
Straight, Shown
at 4" AA150



Micro Scissors

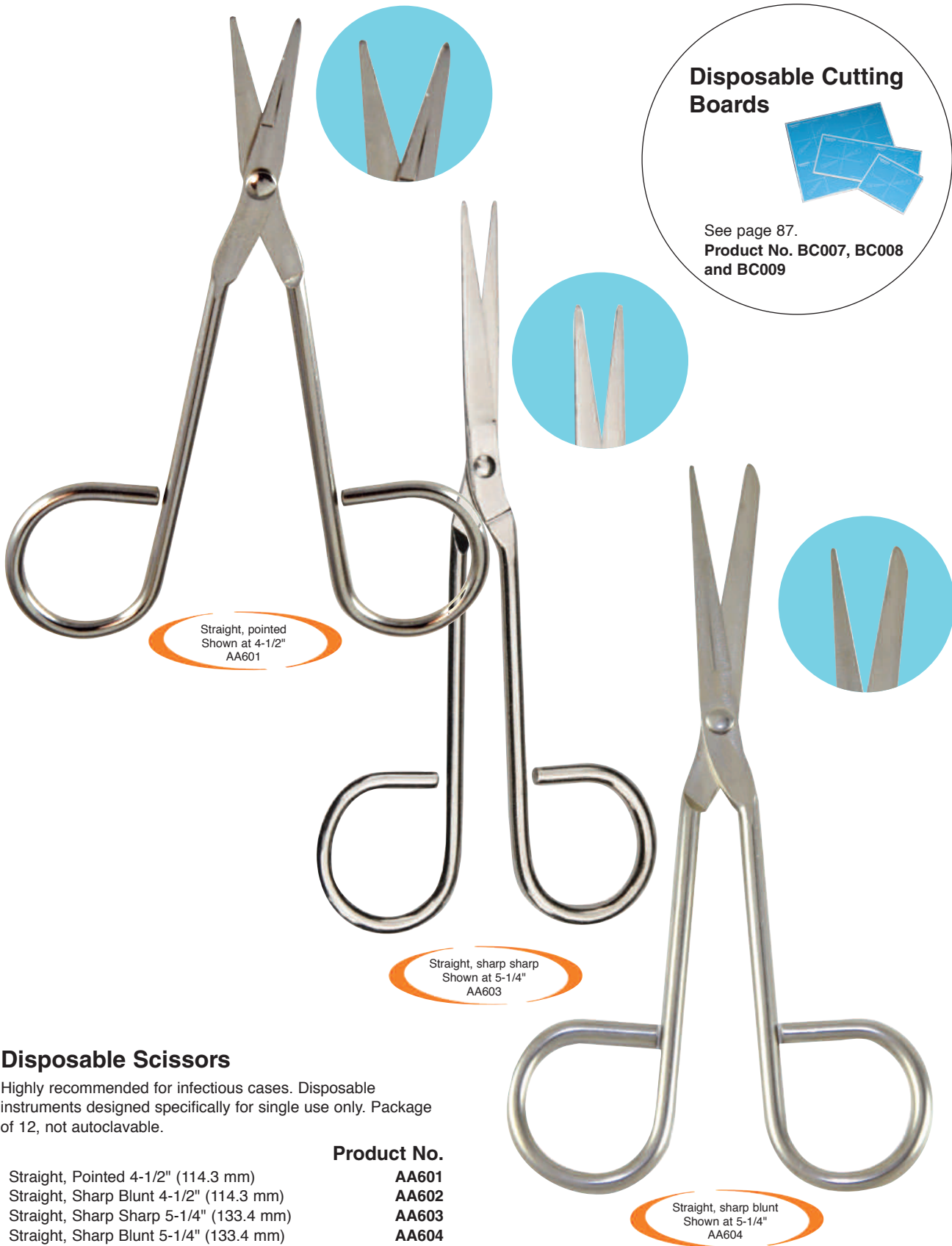
Standard Grade

Straight, Superfine Blades,
3-1/4" (82.5 mm)
Curved, Superfine Blades,
3-1/4" (82.5 mm)

Product No.

AA152
AA153

Disposable Scissors



Disposable Cutting Boards



See page 87.
Product No. BC007, BC008 and BC009

Straight, pointed
Shown at 4-1/2"
AA601

Straight, sharp sharp
Shown at 5-1/4"
AA603

Straight, sharp blunt
Shown at 5-1/4"
AA604

Disposable Scissors

Highly recommended for infectious cases. Disposable instruments designed specifically for single use only. Package of 12, not autoclavable.

Straight, Pointed 4-1/2" (114.3 mm)	AA601
Straight, Sharp Blunt 4-1/2" (114.3 mm)	AA602
Straight, Sharp Sharp 5-1/4" (133.4 mm)	AA603
Straight, Sharp Blunt 5-1/4" (133.4 mm)	AA604

1
2
3
4
5
6
7
8
9
10
11

Dissection Forceps

1

General Dissection Forceps Serrated Tips

Mopec's standard pattern dressing forceps have serrated tips and ribbed grip to assist in delicate dissection.

Dissection Forcep, Shown at 5-1/2" AB003



Standard Pattern, Serrated Handles

Standard Grade

4-1/2" (114.3 mm)
5" (127 mm)
5-1/2" (139.7 mm)
6" (152.4 mm)
8" (203.2 mm)
10" (254 mm)
12" (304.8 mm)

Product No.

AB001
AB002
AB003
AB004
AB005
AB006
AB007

Premium Grade

4-1/2" (114.3 mm)
5" (127 mm)
5-1/2" (139.7 mm)
6" (152.4 mm)
8" (203.2 mm)
10" (254 mm)
12" (304.8 mm)
Curved, Delicate Narrow Tips, 5" (127 mm)

Product No.

AB101
AB102
AB103
AB104
AB105
AB106
AB107
AB108

2

3

4

5

Adson Forceps

Extra broad ribbed grip for delicate precision dissection. Available with serrated or toothed tips.

Adson Forcep, Shown at 4-3/4" AB028



1 x 2 Teeth

6

7

8

Standard Grade

Dressing, Serrated
4-3/4" (120.7 mm)
Tissue 1 x 2 Teeth
4-3/4" (120.7 mm)

Product No.

AB027
AB028

Premium Grade

Dressing, Serrated, Delicate
4-3/4" (120.7 mm)
Tissue, 1 x 2 Teeth, Delicate
4-3/4" (120.7 mm)

Product No.

AB127
AB128

9

10

11

Bayonet Forceps

- Ergonomically designed for a more comfortable wrist position
- Off-set serrated tip offers speculum function for hollow cavity specimens such as uterus, bladder and colon
- Broad surface area for holding large specimens
- Excellent for large irregular curettage-type tissue specimens
- Can be cleaned with any laboratory cleaner or disinfectant
- 6-1/2" (165.1 mm)

Product No. AB050

Bayonet Forcep, Shown at 6-1/2" AB050



Dissection Forceps



1 x 2 Teeth
Shown at 5-1/2" AB011



1 x 2 Teeth



2 x 3 Teeth



3 x 4 Teeth



4 x 5 Teeth

Dissection Forceps

Standard pattern and serrated handles.

Standard Pattern

Standard Grade

- 4-1/2" (114.3 mm) 1 x 2 Teeth
- 5" (127 mm) 1 x 2 Teeth
- 5-1/2" (139.7 mm) 1 x 2 Teeth
- 6" (152.4 mm) 1 x 2 Teeth
- 8" (203.2 mm) 1 x 2 Teeth
- 10" (254 mm) 1 x 2 Teeth
- 12" (304.8 mm) 1 x 2 Teeth

Product No.

- AB009
- AB010
- AB011
- AB012
- AB014
- AB015
- AB016

Premium Grade

- 4-1/2" (114.3 mm) 1 x 2 Teeth
- 5" (127 mm) 1 x 2 Teeth
- 5-1/2" (139.7 mm) 1 x 2 Teeth
- 6" (152.4 mm) 1 x 2 Teeth
- 7" (177.2 mm) 1 x 2 Teeth
- 8" (203.2 mm) 1 x 2 Teeth
- 10" (254 mm) 1 x 2 Teeth
- 12" (304.8 mm) 1 x 2 Teeth

Product No.

- AB109
- AB110
- AB111
- AB112
- AB113
- AB114
- AB115
- AB116

Standard Pattern

Standard Grade

- 5" (127 mm) 2 x 3 Teeth
- 5-1/2" (139.7 mm) 2 x 3 Teeth
- 6" (152.4 mm) 2 x 3 Teeth

Product No.

- AB018
- AB019
- AB020

Premium Grade

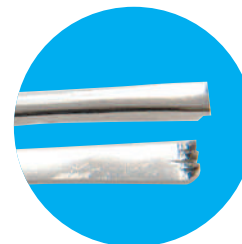
- 4-1/2" (114.3 mm) 2 x 3 Teeth
- 5" (127 mm) 2 x 3 Teeth
- 6" (152.4 mm) 2 x 3 Teeth

Product No.

- AB117
- AB118
- AB120

Tissue Forceps

Mopec's standard pattern tissue forceps provide a secure ribbed grip. Available with assorted variable tips for delicate to coarse dissection. Serrated handles.



3 x 4 Teeth
Shown at 5-1/2" AB022

Standard Pattern

Standard Grade

- 5" (127 mm) 3 x 4 Teeth
- 5-1/2" (139.7 mm) 3 x 4 Teeth
- 6" (152.4 mm) 3 x 4 Teeth

Product No.

- AB021
- AB022
- AB023

Premium Grade

- 5" (127 mm) 3 x 4 Teeth
- 5-1/2" (139.7 mm) 3 x 4 Teeth
- 6" (152.4 mm) 3 x 4 Teeth

Product No.

- AB121
- AB122
- AB123

Standard Pattern

Standard Grade

- 5" (127 mm) 4 x 5 Teeth
- 5-1/2" (139.7 mm) 4 x 5 Teeth
- 6" (152.4 mm) 4 x 5 Teeth

Product No.

- AB024
- AB025
- AB026

Premium Grade

- 5" (127 mm) 4 x 5 Teeth
- 5-1/2" (139.7 mm) 4 x 5 Teeth
- 6" (152.4 mm) 4 x 5 Teeth

Product No.

- AB124
- AB125
- AB126

1

2

3

4

5

6

7

8

9

10

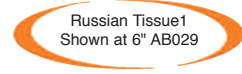
11

Specialty Forceps

1

Russian Tissue Forceps

Mopec's specialty dissection forceps are equipped with a tip alignment guide for precise dissection. Rounded perimeter multi-tooth tip for maximum tissue grip.



Standard Grade

6" (152.4 mm)
8" (203.2 mm)
10" (254 mm)

Product No.

AB029
AB030
AB031

Premium Grade

6" (152.4 mm)
8" (203.2 mm)
10" (254 mm)

Product No.

AB129
AB130
AB131

2

3

4

5

6

7

8

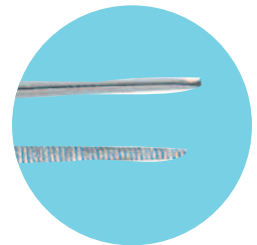
9

10

11

Iris Tissue Forceps

Sharp 1 x 2 interlocking teeth for secure grip with minimal tissue compression.



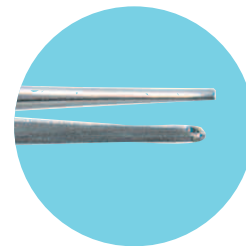
Delicate Tissue

Standard Grade

Serrated, 5" (127 mm)
Tissue, 1 x 2 teeth, 5" (127 mm)
Fine Point, 4-1/2" (114.3 mm)

Product No.

AB032
AB033
AB041



Iris Tissue

Standard Grade

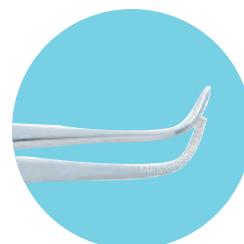
Straight, 1 x 2 Teeth, 4" (101.6 mm)
Full Curved, 1 x 2 teeth, 4" (101.6 mm)

Product No.

AB037
AB038



1 x 2 Teeth



Standard Forceps

Standard Grade

Straight, Serrated, 4" (101.6 mm)
Full Curved, Serrated, 4" (101.6 mm)

Product No.

AB035
AB036



Specialty/Disposable Forceps

Curved Tip Serrated Forceps

- Premium grade stainless steel
- Extra fine serrated tip
- Angled tip for maximum tissue grip
- Overall length 5-1/2" (139.7 mm), handle length is 2-1/2" while length of forcep from handle is 3"

Product No. AB040



Kuehne Coverglass/Specimen Forceps

Stainless steel, 4-1/4" long (107 mm).

Product No. AB008



Disposable Forceps

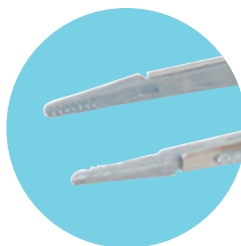
Protect your workers from infectious diseases. Made of stainless steel. Packaged 12 per pack.



Disposable Forcep
AB601



Disposable Forcep
AB604



Disposable Forcep
AB605



Standard Grade

- Dressing Forceps, 4" (101.6 mm)
- Dressing Forceps, 4-1/2" (114.3 mm)
- Lift Forceps, 5" (127 mm)
- Tissue Forceps, Mouse Tooth, 5" (127 mm)
- Precision Tipped, Insert Forceps, 5" (127 mm)

Product No.

- AB601
- AB602
- AB603
- AB604
- AB605

Plastic Forceps

Priced so inexpensively that these can be thrown away after one use, thus eliminating possible contamination. Black plastic. 4-1/4" long (107 mm), Serrated tip. Packaged 12 per bag.

Product No. AB610



1

2

3

4

5

6

7

8

9

10

11

Specialty Forceps

1

Specimen Paddle Forceps

These paddle forceps hold all types of tissue with the secure grip needed to accomplish thin sections for histologic analysis. Thin sections are essential for proper infiltration of reagents prior to histologic study. Great for: training residents and technicians on thin section technique, cutting thin sections of fatty tissue like breast tissue and cutting even thickness sections of any type tissue. Length 6-3/8" (161.9 mm)

Product No. AB042



2

3

Wide Paddle Forceps

Extra wide paddle forceps. Length 6" (152.4 mm)

Product No. AB043



Paddle is
1-5/8" wide

4

5

6

Rubber Tipped Forceps

Achieve accurate, smooth dissection with minimal damage to tissue specimen. Tissue compression will be reduced. When performing special studies, tissue exposure to metal is prevented when using our rubber tipped forceps. The blue tips provide excellent contrast for specimen photography.

NOTE: Do not autoclave due to the rubber tip. Rinse under water or wipe clean with any of our disinfecting cleaners.

7

8

9



10

11

Standard Grade

- 6" Rubber tipped, (152.4 mm)
- 8" Rubber tipped, (203.2 mm)
- 10" Rubber tipped, (254 mm)
- 12" Rubber tipped, (304.8 mm)

Product No.

- AB060
- AB061
- AB062
- AB063

Delicate Forceps

Delicate Forceps

Raised angled platform allows for grasping the finest tissue with firm but controlled grip.

Extra Fine Tips
Shown at
4-1/2" AB132

Angled Pointed Tips
Shown AB134

Flat Angled
Shown at
3-3/4" AB133

Straight Forceps

Extra Fine Sharp Tips, 4-1/2" (114.3 mm)

Flat Angled Tip Forceps

3-3/4" (95.2 mm)

Micro Angled Pointed Tip Forceps

4-1/2" (114.3 mm)

Product No.

AB132

Product No.

AB133

Product No.

AB134

Curved Tip
Shown AB045

Narrow Fine Tip
Shown at
4-3/4" AB046

Super Fine Tip
Shown AB047

Delicate Tissue/Standard Grade

Curved Tip, 4-1/2" (114.3 mm)

Narrow Fine Tip, 4-3/4" (120.6 mm)

Super Fine Tip, 4-3/8" (111.1 mm)

Straight Tip, 4-3/8" (111.1 mm)

Premium Grade

Curved Tip, 4-1/4" (107.9 mm)

Narrow Fine Tip, 4-3/4" (120.6 mm)

Product No.

AB045

AB046

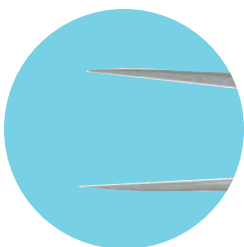
AB047

AB048

Product No.

AB145

AB146



1

2

3

4

5

6

7

8

9

10

11

Cutmate Forceps

1

2

3

4

5

6

7

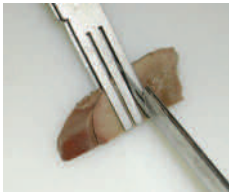
8

9

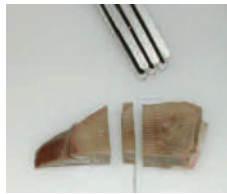
10

11

The CutMATE forceps were developed to overcome the variability of tissue block thickness that is heavily dependent on the type of tissue, its consistency and the grossing process of the operator. The CutMATE forceps, laser-cut from special AISI 304 stainless steel, will allow cutting consistent blocks of uniform thickness of 2, 3, or 4 mm. The unique "trident-like" design of the 35 mm long prongs, ergonomically angled at 30° for both right and left handed operator allows cutting of tissue lengths that will fit the standard, all plastic universal cassettes. The inside surface of the prongs is specially textured (grooved) to provide the extra grip needed for stabilizing and slicing those difficult hard-to-hold specimen like breast tissue. Measures 7" length.



1. Hold specimen in forceps and make first cut.



2. Separate specimen to be processed.

Description

Starter kit includes: Box set of four forceps in box decontamination rack and calibration device

Box set of four forceps (in box)

Forceps for 2 mm block

Forceps for 3 mm block

Forceps for 4 mm block

Forceps 2, 3, 4 mm tissue block

Stainless steel forceps holder with TPX container

Stainless steel forceps holder (only)

TPX container (only)

Product No.

AB070

AB071

AB072

AB073

AB074

AB075

AB076

AB077

AB078



Stainless steel holder



TPX container for keeping prongs submerged in sterilization solution

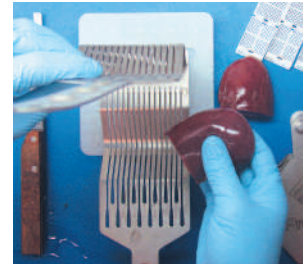
ProCUT Forcep Kit

ProCUT is an innovative forcep that assists the pathologist in cutting organs in parallel slices of uniform thickness. ProCUT eliminates the guesswork in cutting a specific thickness of a tissue mass. Suitable for use with both conventional and microwave tissue processors. Serial wet tissue slices taken in a simple step with the unique design of ProCUT. Moveable forcep prongs designed for ergonomic handling of varying sized tissues. Forcep-like side plates secure organ in position. No more complaints about the organ slicing being "too thick" or "not parallel". Made from laser shaped AISI 304 stainless steel.

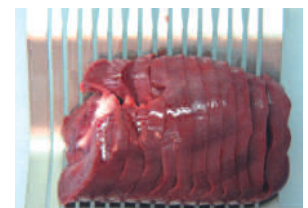
Kit includes:

- Forcep: 5 mm thickness slice
- Side metal plates
- Plastic plates
- PTFE Positioning Base

Product No. AB079



Place specimen in forcep



Uniform cuts

Hemostatic Forceps

Rochester Pean

Standard Grade

- Straight, 5-1/2" (139.7 mm)
- Straight, 6-1/4" (158.8 mm)
- Straight, 7-1/4" (184.2 mm)
- Straight, 8" (203.2 mm)
- Straight, 9" (228.6 mm)
- Straight, 10-1/4" (260.4 mm)
- Curved, 5-1/2" (139.7 mm)
- Curved, 6-1/4" (158.8 mm)
- Curved, 7-1/4" (184.2 mm)
- Curved, 8" (203.2 mm)
- Curved, 9" (228.6 mm)
- Curved, 10" (254 mm)

Product No.

- AC005
- AC006
- AC007
- AC008
- AC009
- AC010
- AC011
- AC012
- AC013
- AC014
- AC015
- AC016



Rochester Ochsner

Standard Grade

- Straight, 6-1/4" (158.8 mm)
- Straight, 7-1/4" (184.2 mm)
- Straight, 8" (203.2 mm)
- Straight, 9" (228.6 mm)
- Straight, 10" (254 mm)
- Curved, 6-1/4" (158.8 mm)
- Curved, 7-1/4" (184.2 mm)
- Curved, 8" (203.2 mm)
- Curved, 9" (228.6 mm)
- Curved, 10" (254 mm)

Product No.

- AC017
- AC018
- AC019
- AC020
- AC021
- AC022
- AC023
- AC024
- AC025
- AC026



Halstead Mosquito

Standard Grade

- Straight, 5" (127 mm)
- Curved, 5" (127 mm)

Premium Grade

- Straight, 5" (127 mm)
- Curved, 5" (127 mm)

Product No.

- AC001
- AC002

Product No.

- AC101
- AC102



Kelley Forceps

Standard Grade

- Straight, 5-1/2" (139.7 mm)
- Curved, 5-1/2" (139.7 mm)

Premium Grade

- Straight, 5-1/2" (139.7 mm)
- Curved, 5-1/2" (139.7 mm)

Product No.

- AC003
- AC004

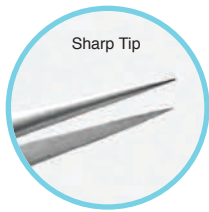
Product No.

- AC103
- AC104



Ergonomic Forceps

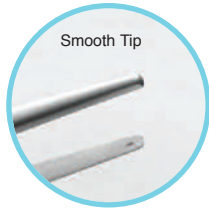
- 1
- 2
- 3
- 4
- 5
- 6
- 7
- 8
- 9
- 10
- 11



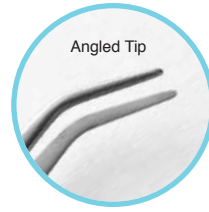
Sharp Tip



Tooth Tip



Smooth Tip



Angled Tip



Serrated Tip



Ergonomic Sharp Tip AB052



Ergonomic Tooth Tip AB053



Ergonomic Smooth Tip AB054



Ergonomic Angled Tip AB055



Ergonomic Serrated Tip AB056

- Unique perforated paddle handles for secure, slip-free grip
- Fingertip aligned perforations offer precise maneuvering with wet gloves
- Extremely lightweight and versatile for a wide variety of tissue specimens
- Available in serrated and non-serrated designs
- Lightweight design, ideal for pathology assistants, residents and persons performing extended multiple case dissection procedures
- Can be cleaned with any laboratory cleaner or disinfectant

Standard Grade

- Sharp Tip, 7" (177.8 mm)
- Tooth Tip, 7" (177.8 mm)
- Smooth Tip, 7" (177.8 mm)
- Angled Tip, 7" (177.8 mm)
- Serrated Tip, 7" (177.8 mm)
- Smooth Tip, Med. Grip, 5-1/2" (140 mm)
- Serrated Tip, Med. Grip, 5-1/2" (140 mm)

Product No.

- AB052
- AB053
- AB054
- AB055
- AB056
- AB057
- AB058

Tungsten Carbide



Dressing Forcep
Shown at 6" AB401



Potts Smith Forcep
AB404

Standard Grade

Product No.

Dressing Forceps, 6" (152.4 mm)

AB401

Potts-Smith Dressing Forceps,
7" (177.8 mm)

AB404

Potts-Smith Dressing Forceps,
8-1/4" (209.5 mm)

AB405

Potts-Smith Dressing Forceps,
9-3/4" (247.6 mm)

AB406



Adson Dressing Forcep
Shown at
4-3/4" AB402



Adson Tissue Forcep
Shown at
4-3/4" AB403

Standard Grade

Product No.

Adson Dressing Forceps,
4-3/4" (120.6 mm)

AB402

Adson Tissue Forceps,
1 x 2 Teeth, 4-3/4" (120.6 mm)

AB403

1

2

3

4

5

6

7

8

9

10

11

Octagon Handled Forceps

1

The unique octagon shape provides a wider section for the finger to grasp, thus allowing a firm finger hold for tough, yet delicate dissection. Made of stainless steel. Lightweight. Offered in a variety of tips.



Iris Tissue Straight, Shown at 3-1/2" AB150

Unique shape provides a wider section for the fingers to grasp

Iris Tissue Forceps

Standard Grade	Product No.
Straight, 1 x 2 Teeth, 3-1/2" (88.9 mm)	AB150
Curved, 1 x 2 Teeth, 3-1/2" (88.9 mm)	AB151

2

3

4

5

6

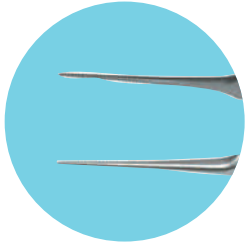
7

8

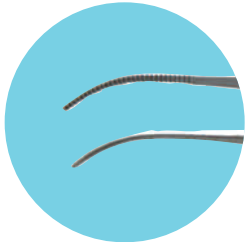
9

10

11



Serrated Tissue Straight, Shown at 3-3/4" AB152



Serrated Tissue Curved, Shown at 3-3/4" AB153

Serrated Tissue Forceps

Standard Grade	Product No.
Straight, 3-3/4" (95.3 mm)	AB152
Curved, 3-3/4" (95.3 mm)	AB153



Micro Grooved Tissue Forceps

Standard Grade	Product No.
Curved, 3-3/4" (95.3 mm)	AB154

Imprinted Forcep

No need for a pair of forceps AND a ruler in your work area. These serrated forceps have a centimeter ruler imprinted on the tips. Made of stainless steel. Two forcep lengths.

6" (152.4 mm) Product No. AB090

8" (203.2 mm) Product No. AB091



Ruler is imprinted

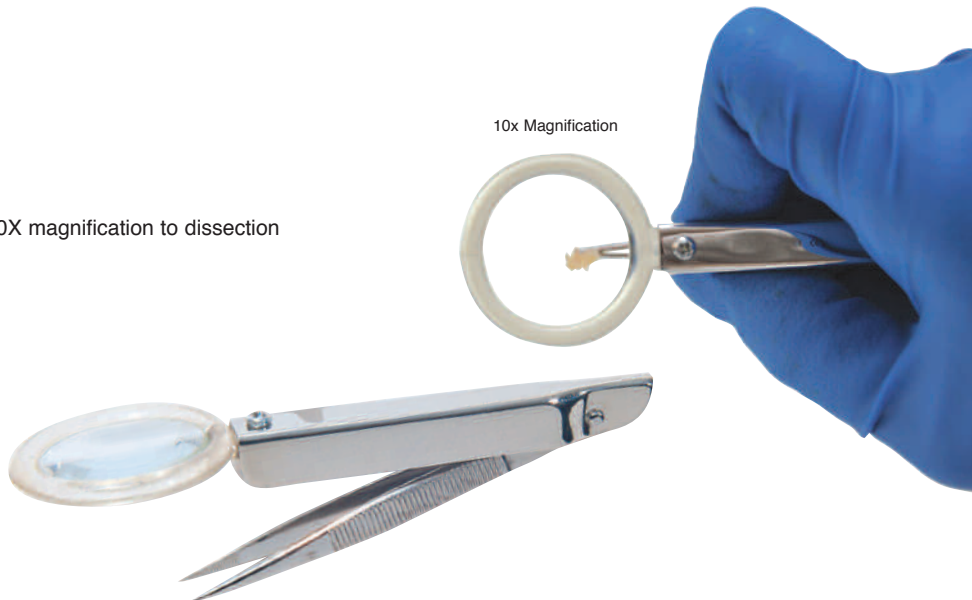


Magnifier Forceps

Extra-fine serrated tip. Provides 10X magnification to dissection field. 3-1/2" (88.9 mm).

Product No. AB039

10x Magnification



- 1
- 2
- 3
- 4
- 5
- 6
- 7
- 8
- 9
- 10
- 11

Ergo-Gross Forcep Grips

1

- Exclusive to Mopec
- Improved fine finger dexterity
- Easier to use than traditional grips
- Less fatigue at the end of the day
- Non-toxic
- Disposable
- Medical grade and latex-free
- High quality – do not tear easily
- Designed so that it is easier to use and hold forceps
- Offering relief and improved use for people with hand and joint problems
- Increased accuracy using existing scalpel or forceps
- Increased safety from anti-slip surface, allows water disbursement
- Provides a strong barrier from the forceps/scalpel and resists chemicals such as grease, solvents and oils
- Suitable for grossing, autopsy, funeral home, necropsy, dental and veterinary use
- Increases productivity - reducing effort to perform while grossing or during an autopsy equals an increase in productivity
- Precision cutting with a better grip of the forcep - more comfort allows more precise cuts

2

3

4

5

6

7

8

9

10

11



AB500 shown with AB114 forceps

Set of 12 handles which fit six pair of forceps
Actual size is 2-1/4" (57.1 mm) x 3/8" (9.5 mm).
Product No. AB500



AB500 shown actual size

EAZY SOAK Instrument Cleaner

- Unique clear, odorless enzyme instrument cleaner is ideal for overnight soaking
- No scrubbing or pre-rinsing needed
- Digests all tissue, blood and exudative material
- Cleans instruments in 3 simple steps
- Perfect for hard-to-clean instruments such as scissors, forceps, serrated cutting blades and scalpel handles
- 32 oz. (.95L) liquid concentrated formula. Makes 16 gallons
- Includes liquid dispenser measuring cap

Product No. BE046



Dissection Forceps

Standard pattern and serrated handles
8" (203.2 mm) 1 x 2 Teeth
Product No. AB114
See Dissection - forceps

Ergo-Cross Handle Grips

- Exclusive to Mopec
- Improved fine finger dexterity
- Easier to use than traditional grips
- Less fatigue at the end of the day
- Non-toxic
- Disposable
- Medical grade and latex-free
- High quality – do not tear easily
- Designed so that it is easier to use and hold scalpel handle
- Offering relief and improved use for people with hand and joint problems
- Increased accuracy using existing scalpel or forceps
- Increased safety from anti-slip surface, allows water disbursement
- Provides a strong barrier from the forceps/scalpel and resists chemicals such as grease, solvents and oils
- Suitable for grossing, autopsy, funeral home, necropsy, dental and veterinary use
- Increases productivity - reducing effort to perform while grossing or during an autopsy equals an increase in productivity
- Precision cutting with a better grip of the scalpel - more comfort allows more precise cuts

Blue textured plastic scalpel handle. Actual size is 4" (101.6 mm) x 1" (25.4 mm). Six grips per package.

Product No. AJ500



1

2

3

4

5

6

7

8

9

10

11



Handle not included



Black foam scalpel handle. Actual size is 4-3/8" (111.1 mm). Size of hole is 3/8" (9.5 mm). Six grips per package.

Product No. AJ501

Handle not included

Stainless Steel Bone Chisels

Stainless steel bone chisels are used to score, cut, scrape, clean and sculpt the bone.

1



Brunetti's Chisel

Standard Grade

Right-Hand, w/Guard 11" (279.4 mm)
Left-Hand, w/Guard 11" (279.4 mm)

Product No.

AG015
AG016

Brunetti's Chisel
AG015

2

3

4

5

6

7

8

9

10

11



Bone Chisels

Standard Grade

6 mm, 6 1/2" (165.1 mm)
12 mm, 6 1/2" (165.1 mm)
18 mm, 6 1/2" (165.1 mm)

Product No.

AE001
AE002
AE003

Premium Grade

6 mm, 7" (177.8 mm)
10 mm, 7" (177.8 mm)
14 mm, 7" (177.8 mm)

Product No.

AE101
AE102
AE103

Bone Chisel
Shown Actual Size
6-1/2" AE001



Osteotomes - US Army Pattern

Standard Grade

6 mm, 6 1/2" (165.1 mm)
12 mm, 6 1/2" (165.1 mm)
18 mm, 6 1/2" (165.1 mm)

Product No.

AG002
AG003
AG004

Premium Grade

6 mm, 6 1/2" (165.1 mm)
12 mm, 6 1/2" (165.1 mm)
18 mm, 6 1/2" (165.1 mm)

Product No.

AG102
AG103
AG104

Osteotome
Shown Actual Size
6-1/2" AG002



Osteotomes - Lambotte Pattern

Standard Grade

Lambotte 1/2" Cutting Edge, 8" (203.2mm)
Straight 1" Cutting Edge, 8" (228.6 mm)

Product No.

AG005
AG006

Premium Grade

13 mm Straight, 9" (228.6mm)
25 mm Straight, 9" (228.6mm)

Product No.

AG105
AG106

Osteotome
Shown AG006

Dissecting Knives



Heavy Pattern Knife
AH018



Heavy Pattern Knife
with Rule AH019



Thick edge on knife

Gannetts PM Dissecting Knife

Heavy duty stainless steel. Extra thick for cutting hard tissue. Top edge can be used with a mallet to hammer through hard tissue or bone. 10" L (25.4 cm)

Product No. AH015

Heavy Pattern Dissecting Knife

Extra thick non-flexible stainless steel blade for cutting hard tissue. The top edge is 1/16" (1.6 mm) thick and tapers into a sharp cutting edge.

Standard Grade
8" (203 mm) Without Rule
8" (203 mm) With 40 mm Rule

Product No.
AH018
AH019

- 1
- 2
- 3
- 4
- 5
- 6
- 7
- 8
- 9
- 10
- 11

Dissecting Knives

1

Autopsy Knife
AH101

Autopsy Dissecting
Knife Shown
AH008

2

German Autopsy Dissecting Knives

Stainless steel hollow ground cutting edge autopsy knives are lightweight and perfectly balanced. Slender handle with smooth top edge for hand comfort. Blade is hardened to withstand continuous sharpening.

3

Premium Grade

11-3/4" L x 3/4" W
(300 mm x 20 mm)

Product No.

AH101

4

Stainless Steel Autopsy Dissecting Knives

All purpose autopsy dissecting knife. Pointed tip and ridged tapered cutting blade. Grooved handle provides secure grip.

5

Standard Grade

9-7/8" L x 3/4" W
(250 mm x 20 mm)

Product No.

AH008

6

7-7/8" L x 3/4" W
(200 mm x 20 mm)

AH009

7

6" L x 3/4" W
(15 mm x 20 mm)

AH010

13" L x 1-1/4" W
(330 mm x 31.75 mm)

AH102

8

Long Specimen Dissecting Knife

Flexible 14" stainless steel blade is excellent for long continuous smooth sectioning.

9

Standard Grade

14" L x 1-1/2" W
(356 mm x 38.1 mm)

Product No.

AH014

10

11

Knife Holder

Safely holds all
your knives.
See page 60.



Product No. AH116



Dissecting Knives

Autopsy Dissecting Knife Shown AH009



Autopsy Dissecting Knife Shown AH010



German Autopsy Knife Shown AH102



Long Specimen Knife Shown AH014



1

2

3

4

5

6

7

8

9

10

11

Disposable Macro Knives - Standard Grade

- 1
- 2
- 3
- 4
- 5
- 6
- 7
- 8
- 9
- 10
- 11



Economically priced. Completely disposable, standard grade. Sheffield stainless steel flexible blade with double honed edge and non-slip handle. May be stropped for a longer lasting edge. All sizes packaged 10 per box.

Description

Cartilage Knife, 4" (102 mm)
 Trimming Knife, 6" (152 mm)
 Autopsy & Surgical Knife, 8" (203 mm)
 Lung Knife, 10" (254 mm)
 Brain Knife, 12" mm
 Disposable Assortment, 2 of each

Product No.

AH024
AH025
AH026
AH027
AH028
AH029



Disposable Macro Knives - Premium Grade

High quality disposable, knives. Sheffield stainless steel flexible blade with double honed edge and non-slip handle. May be stropped for a longer lasting edge. All sizes packaged 10 per box.

Premium Grade	Product No.
Cartilage Knife, 4" (102 mm)	AH038
Trimming Knife, 6" (152 mm)	AH039
Autopsy & Surgical Knife, 8" (203 mm)	AH035
Lung Knife, 10" (254 mm)	AH036
Brain Knife, 12" (305 mm)	AH037

Disposable Macro Knife AH037

Disposable Macro Knife AH036

Disposable Macro Knife AH035

Disposable Macro Knife AH039

Disposable Macro Knife AH038



- 1
- 2
- 3
- 4
- 5
- 6
- 7
- 8
- 9
- 10
- 11

Knives - Standard Grade

- 1
- 2
- 3
- 4
- 5
- 6
- 7
- 8
- 9
- 10
- 11



Large Grossing Knife AH110



Autopsy/Grossing Knife AH112



Autopsy/Grossing Knife AH115



Autopsy/Grossing Knife AH114

Sani-Safe Autopsy Grossing Knife - Non-slip safety handles coupled with sharpest hand ground and honed cutting edge makes for the perfect autopsy knife.

Non-Slip Handle - The soft plastic handle molds to your hand reducing fatigue. White non-slip surface and slip guard protects hands from the cutting edge. Handle is bonded to the cutting blade which guarantees a secure blade.

Blade Construction - The well balanced blade is hand ground and honed. Constructed of stain free high quality carbon steel. High quality blade can be constantly sharpened for years of quality service.

Cleaning - The Sani-Safe autopsy knives are designed to be sanitized with all disinfectants

Description

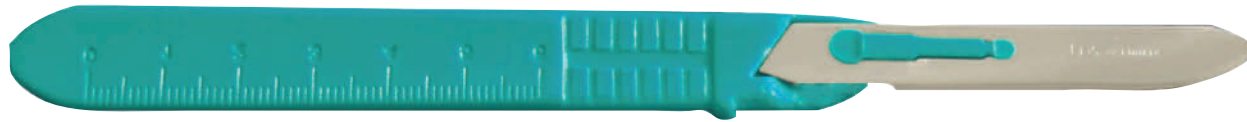
- Large Grossing Knife 14", (355.6 mm)
- Autopsy/Grossing Knife, Straight Point 8", (203.2 mm)
- Autopsy/Grossing Knife, Low Profile 6", (152.4 mm)
- Autopsy/Grossing Knife, Low Profile 7", (177.8 mm)

Product No.

- AH110**
- AH112**
- AH114**
- AH115**

Disposable Scalpels

Stainless steel blade tempered with plastic handle and protective guard. Scale is imprinted into handle of larger scalpel. Packaged 100 per box.



Disposable Scalpel
Shown at
6-1/2" AJ136



Protective guard
on each scalpel!

Disposable Scalpel
Shown at
4" AJ137

Scalpels

Description	Product No.
Scalpel with #60 blade 6-1/2" (165.1 mm)	AJ135
Scalpel with #70 blade 6-1/2" (165.1 mm)	AJ136
Mini Scalpel with #60 blade 4" (101.6 mm)	AJ137
Mini Scalpel with #70 blade 4" (101.6 mm)	AJ138



Disposable Scalpel
Shown at
6-1/4" AJ123

Disposable Scalpel

Superior stainless steel blade on a uniquely designed handle. Each scalpel is supplied with a flexible blade cover for complete protection. Entire unit is disposable. 10 blades per box.

Description

- #22 blade, box of 10
- #21 blade, box of 10
- #20 blade, box of 10
- #23 blade, box of 10

Product No.

- AJ120
- AJ121
- AJ122
- AJ123

Bulk Disposable Scalpel

Stainless steel #22 blade with plastic handle and protective guard. Entire unit is disposable. White, 100 per bag.

Product No. AJ148



- 1
- 2
- 3
- 4
- 5
- 6
- 7
- 8
- 9
- 10
- 11

Blades and Blade Handles

1



Handle AJ125 and
Blade AJ124

2

3



No. 8 Handle
Shown at
5-1/4" AJ115

4

5



Stainless Steel Handle
Shown AJ113

6



Stainless Steel Handle
Shown AJ114

7

8



Replacement Blade
Shown AJ124

9

10

Dissecting Surgical Blades

Non-sterile carbine surgical blades. Available in economical or premium grade. Packaged 100 blades per box.

NOTE: Will fit AJ113, AJ114 and AJ115 handles

11

Carbon Steel

Size

Size #60

Size #70

Premium

Size #60

Non-Sterile

AJ125

AJ119

AJ154

Blade Handles

Description

Blade Handle, Metal Handle 4-7/8" (123 mm)

Replacement Blades for disposable knife

No. 8 Handle for #60/#70 Blades 5-3/8" (136 mm)

Stainless Steel Handle,
(Smooth) for #60/#70 Blades 5-1/2" (139 mm)

Stainless Steel Handle,
(Fluted) for #60/#70 Blades 5-1/4" (133 mm)

Product No.

AJ125

AJ124

AJ115

AJ113

AJ114

Dissecting Blade
Shown AJ112



Dissecting Blade
Shown AJ119



Blades and Blade Handles

Knife Handle
AJ101



Knife Handle
AJ102

Knife Handle
AJ140



Blade Handle
Shown at
5-1/4" AJ126



Blade Handles

Knife Handle, #4 for #20 - #23 5-1/2" L (139.7 mm)

Knife Handle, #4L for #20 #23 8-5/8" L (219 mm)

Knife Handle #3 for #10 - #15 5" L (127 mm)

No. 6 Handle for #22 Blades 5-1/4" L (133.3 mm)

AJ101

AJ102

AJ140

AJ126

See Mopec's Ergo-Grips
Handle on page 31

Dissecting Surgical Blades

Surgical blades are available in sterile carbon steel or non-sterile carbon steel. Packaged 100 blades per box, individually wrapped.



AJ103



AJ104



AJ105



AJ106

Bulk Scalpel Blades

#22 Blades. Non-sterile. 500 per package.



Product No. AJ147



Surgical Blades - Carbon Steel

Size	Sterile	Non-Sterile
Size #20	AJ103	AJ143
Size #21	AJ104	AJ144
Size #22	AJ105	AJ145
Size #23	AJ106	AJ146
Premium		
Size #22		AJ153

1

2

3

4

5

6

7

8

9

10

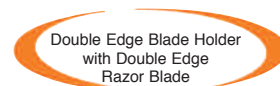
11

Blades, Blade Handles and Blade Removers

1

Double Edge Blade and Blade Handle

Mopec's double edge blade handle is ideal for trimming surgical specimens and is a versatile tool for any laboratory. The double edge blade is securely held in place, yet easy to replace. (Five complimentary blades are included). The pencil style handle provides a firm yet mobile grip. Double edge replacement blades are sold 100 per package.



Description

Double Edge Blade Holder 6-3/4" (171.4 mm)
Double Edge Razor Blades

Product No.

AJ127
AJ111

2

3

Double Edge Razor Blades

Package 100 per pack, 2-1/4" L x 3/4" W (57.1 mm x 19mm)



Product No. AJ111

4

5

6

Disposable Surgical Blade Remover

Safely removes dull contaminated blade from surgical handle and reduces the number of accidental cuts. The safe way to remove and dispose of blades when disposal facilities are not always available. Simply insert and press handle to dispense old blade safely into sealed container. Can hold approximately 100 blades. Works with any brand of scalpel handle. Not compatible with double sided blades. 10 blade removers per package.



8

9

10

11



1. Insert handle and blade in remover



2. Press and hold while pulling out handle

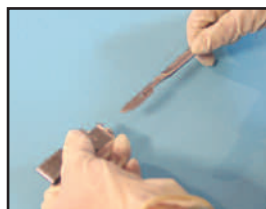


3. Blade is now in container

Product No. AJ116

Stainless Steel Blade Remover

Made for the safe removal of scalpel blades from handles. Easy to use - just insert handle into the blade remover and while holding the remover's edges down, pull out the handle. It's that quick and easy. Made of stainless steel, the blade remover is also autoclavable.



1. Insert blade and handle into blade remover



2. Holding blade remover firmly down, pull out handle.

Product No. AJ107

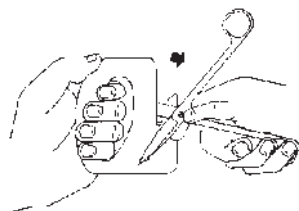
Scissor Sharpener and ZawBones

Hand-Held Scissors Sharpener

This easy to use hand-held device quickly puts a sharp edge on dull scissors.

- Quickly sharpens virtually all scissors (not intended for serrated edge or SuperCut scissors)
- Autoclavable
- Economically priced

Product No. AH040



1. Simply drag cutting edge through the sharpener.

Hand-Held Bone Shear Sharpener

This hand-held device quickly sharpens bone cutting instruments.

- Easy to use
- Autoclavable
- Economically priced

Product No. AH045



ZawBones

Ideal for Femoral, Humeral or Other Round Bone Specimens

Easy as 1-2-3. ZawBones is Mopec's simple-to-use manual device for safe and easy bone sectioning. The unique dual blade tooth configuration immobilizes bone specimen by securely holding the bone in place. Non-slip padding included.



1. Raise the upper jaws to insert bone specimen between teeth on the base and upper jaws. Place specimen. ZawBones will hold bone specimens up to 4" (101.6 mm) diameter.



2. Insert the saw into the space between the upper jaws. The bone is immobilized by placing downward pressure on the upper jaws. Now simply use the saw to cut your section accurately.



3. Raise the upper jaws and remove your 2 mm section from between the saw blades. The entire unit can be disassembled without tools for easy cleaning or disinfection.

ZawBones

Dimensions: 9" L x 7" W x 6" H
(228.6 mm x 177.8 mm x 152.4 mm)
(Includes one set coarse and fine blades)

Replacement Saw Handle Only

Blade Dimensions: 12-3/8" (314.32 mm)
Coarse Replacement Blades

Fine Replacement Blades

Product No.

BD130

BD131

BD135

BD136

See Autopsy Accessories for More Information

1

2

3

4

5

6

7

8

9

10

11

Qlicksmart Blade Removal System

1



Fully self-contained and sealed, Qlicksmart has no mechanical device to maintain, break or fix. Simply replace the unit when full.

2

3

4

5

6



BladeFLASK

100 | Scalpel Blade Removal System

The World's First Single-Handed Scalpel Blade Remover

7

The revised OSHA Bloodborne Pathogens Standard 29 CFR Part 1910.1030 mandates that:

8

- (d)(2)(vii) Contaminated needles and other contaminated sharps shall not be bent, recapped, or removed except as noted in paragraphs (d)(2)(vii)(A) and (d)(2)(vii)(B) below. Shearing or breaking of contaminated needles is prohibited.
- (d)(2)(vii)(A) Contaminated needles and other contaminated sharps shall not be bent, recapped or removed unless the employer can demonstrate that no alternative is feasible or that such option is required by a specific medical or dental procedure.
- (d)(2)(vii)(B) Such bending, recapping or needle removal must be accomplished through the use of a mechanical device or a one-handed technique.
- (d)(2)(viii) Immediately or as soon as possible after use, contaminated reusable sharps shall be placed in appropriate containers until properly reprocessed. These containers shall be:
 - (d)(2)(viii)(A) Puncture resistant;
 - (d)(2)(viii)(B) Labeled or color-coded in accordance with this standard;
 - (d)(2)(viii)(C) Leakproof on the sides and bottom; and
 - (d)(2)(viii)(D) In accordance with the requirements set forth in paragraph (d)(4)(ii)(E) for reusable sharps.
- (d)(4)(iii)(A)(1) Contaminated sharps shall be discarded immediately or as soon as feasible in containers.

9

- (d)(4)(iii)(A)(2)(i) Easily accessible to personnel and located as close as is feasible to the immediate area where sharps are used or can be reasonably anticipated to be found (e.g., laundries);
- (d)(4)(iii)(A)(2)(iii) replaced routinely and not be allowed to over-fill.

Standard Interpretation:

- Using fingers to remove a used scalpel blade does not meet the requirements of OSHA Standard (29 cfr 1910.1030)
- Hemostats have been used as a measure which was preferable to using fingers to remove a used scalpel blade. Employers are expected to consider and use safer and more effective measures when feasible.

Joint Commission - from the U.S. Department of Labor

- If the use of a safety engineered scalpel compromises patient safety or is in some other way infeasible for use in a particular procedure, the employer must then determine what other engineering and work practice controls would effectively minimize employee exposure and implement their use
- Blade removal must be accomplished through the use of a mechanical device or a one-handed technique (29 CFR 1910.1030(d)(2)(vii)(B)). The use of a single-handed scalpel blade remover meets these criteria.

10

11

Qlicksmart Blade Removal System



Finally... A Safe and Simple Way to Remove Scalpel Blades

The Qlicksmart Blade Removal System is a medical safety device specially designed, engineered and manufactured to comply with recently revised OSHA Bloodborne Pathogens Standards.

Qlicksmart offers single-handed removal and immediate containment of contaminated scalpel blades which dramatically reduces the risk and cost of injury to the user.

Simply Amazing

Qlicksmart is safe, inexpensive and easy to use. Simply insert the scalpel into the slot, listen for the "click" and then withdraw the handle. The blade is securely contained inside the sealed, spill proof and puncture resistant container.

Safe and Easy Disposal

An automatic shut-off feature prevents the Qlicksmart system from overflowing and a built-in counter clearly displays the remaining capacity (100 blades). When full, simply dispose of the fully sealed self contained unit as medical waste.

No Special Blades or Handles

Qlicksmart has been designed to work with most standard scalpel instruments, whether they are Mopec's or a competitor's, including blades 10, 10A, 11, 12, 15, 20, 21, 22, 23, 24 and handles 3, 4, 4L, 7, 9.

Counter, Cart or Wall Mount

The universal mounting bracket and positioning template allows quick and convenient counter, cart or wall-mount. The industrial-strength mounting bracket adhesive provides immediate and simple installation. Supplied with optional screws and plugs.

Maintenance Free

Fully self-contained and sealed Qlicksmart has no mechanical device to maintain, break or fix. Simply replace the unit when full.

Qlicksmart Product No. AJ150

Mounting Bracket Product No. AJ151

1

2

3

4

5

6

7

8

9

10

11

Sharpeners

1

2

3

4

5

6

7

8

9

10

11



Sharpen Dull Knives Easily with Mopec's 3-Way Sharpener

Mopec's 3-way knife sharpener is constructed of indestructible polypropylene. Sharpen virtually any dull knife with ceramic rods standing vertically or laying horizontally on any laboratory bench top. Equipped with three ceramic rods, with the appropriate coarseness for dull or worn edges, partial dull edges and quick touch ups. Requires no oils or water for putting the perfect edge on your autopsy or dissecting knife. The rods can be rotated for new and clean surfaces providing longer stone life. Complete instruction for sharpening is included.

Product No. AH030



Knives can be sharpened vertically



Knives can be sharpened horizontally

Knife Sharpeners

Heavy Metal Casing Sharpener

Features and Benefits:

Revolutionary breakthrough! Incredibly sharp knives for professionals who prefer a perfectly steeled edge. Super-hardened miniature steels use a non-abrasive process to develop uniform, ultra-sharp micro-serrations along the entire edge

- Precise angle control insures professional results every time
- Rugged, cast metal construction
- Much easier to use than conventional steels – steeling is now a breeze
- Delivers an edge that is far superior to conventional steeled edges
 - Maintains the original edge geometry – does not round-off the edge
 - Creates uniform micro-serrations that cut better
 - Edge needs to be steeled less often – extends the life of the knife
 - Retains edge sharpness as it steels
- Miniature steels are adjustable to expose fresh surfaces
- Safer to use than conventional steels
- Washable; can be rinsed in a sink
- Safe for all quality knives

Product No. AH119



AH119 shown (knife not included)

Multi-Edge Knife Sharpener

Diamond Hone

Features and Benefits:

- Two (2) stages, sharpening and honing, for a razor sharp, longer lasting double bevel edge
- Uses 100% diamond abrasive in Stages 1 and 2
- Patented precision guides for sharper edges with no guesswork
- Ultra-fine diamond abrasive in Stage 2 for a super sharp polished edge
- For sharpening straight edge and serrated knives
- Sharpens the full blade, tip to handle
- Precise bevel angle control for a 20° edge
- Ready to use, left or right handed
- Safe for all quality knives

Product No. AH120

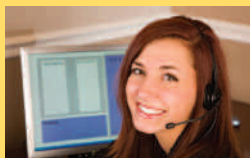


AH120



AH120 in use

Call 800.362.8491 to Place an Order With One of Our Friendly Customer Service Representatives



1

2

3

4

5

6

7

8

9

10

11

Knife and Scissor Sharpeners

1

Commercial Diamond Hone Sharpener The Steel Pro

- Revolutionary, 3 stage commercial sharpener with Edge Select, let's you choose the edge to match the knife
- Lightening Fast! Diamond abrasive and ultra fine stropping stage, for astonishing sharp edges in seconds
- Rugged sharpening module, detaches easily for cleaning and sanitizing
- Sharpens all knives straight and serrated
- Extremely safe and easy to use! No special training required
- Precision guides guarantee perfect results every time
- Edges stay sharp up to 3 times longer! Patented Trizor-Plus edge lasts and lasts
- Rugged cast metal housing, powerful, high speed motor

Product No. AH117



AH117 delivers an edge that is far superior to conventional steeled edges

Spray Lube

Spray on all moving parts of instruments after cleaning and before autoclaving. Contains 8 fluid oz. See page 71.

Product No. BE060



Electric Scissor Sharpener Diamond Hone

A revolutionary development in scissor sharpening. Produces quality sharpness with unparalleled simplicity. For incredibly sharp scissors. Sharpens without the need to disassemble scissor.

- 100% Diamond abrasive for superior results
- Double bevel edge stays sharp longer
- Never detempers
- Patented technology eliminates guesswork
- Compact, easy, safe
- Rugged design, 1 year manufacturers warranty

Product No. AH118



Saws

Standard Grade

Metacarpal Saw, 4-1/2" (114.3 mm) Blade,
9-1/2" (241.3 mm)

AG011

Satterlee Bone Saw, 8-1/2" (215.9 mm) Blade,
Open Frame 12" (304.8 mm)

AG012

Round Tip Bone Saw, 8-1/2"
(215.9 mm) Blade, Round Point,
Open Frame, 12" (304.8 mm)

AG014

Premium Grade

Satterlee Bone Saw, 12" Long (304.8 mm),
Metal Handle w/9" (228.6 mm)
Stainless Blade

AG112

Blade for AG112 Satterlee Saw

AG113

Metacarpal Saw, 9-1/4" Long (235 mm),
with 4-1/2" (114.3 mm) Blade

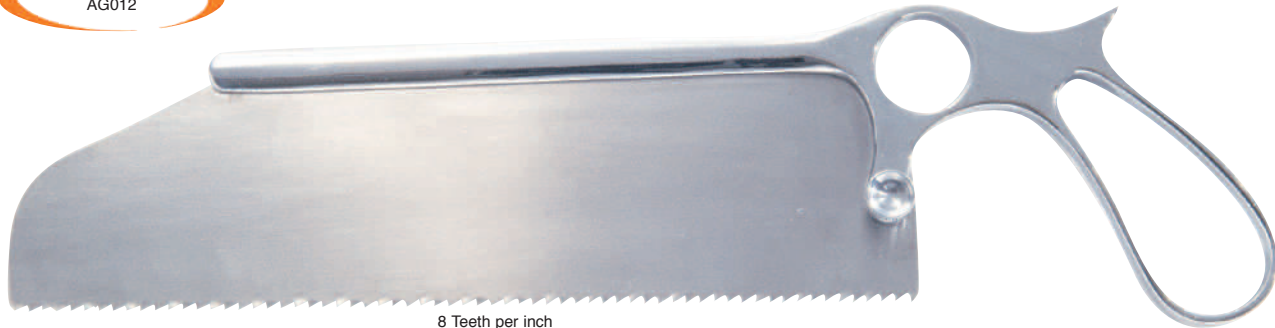
AG111



Metacarpal Saw
AG011

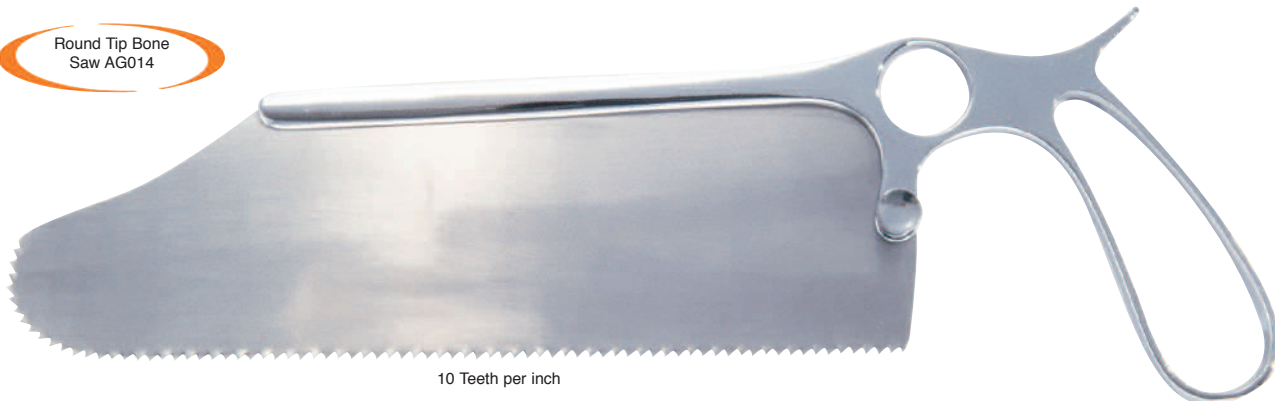


Satterlee Bone Saw
AG012



8 Teeth per inch

Round Tip Bone
Saw AG014



10 Teeth per inch

1

2

3

4

5

6

7

8

9

10

11

Bone Cutting

1



Dura Strip Forceps
AG001

Dura-Strip Forceps
Description Angled, Serrated Jaws
 8-1/2" (215.9 mm)
Product No. AG001

2

3

4

5

6

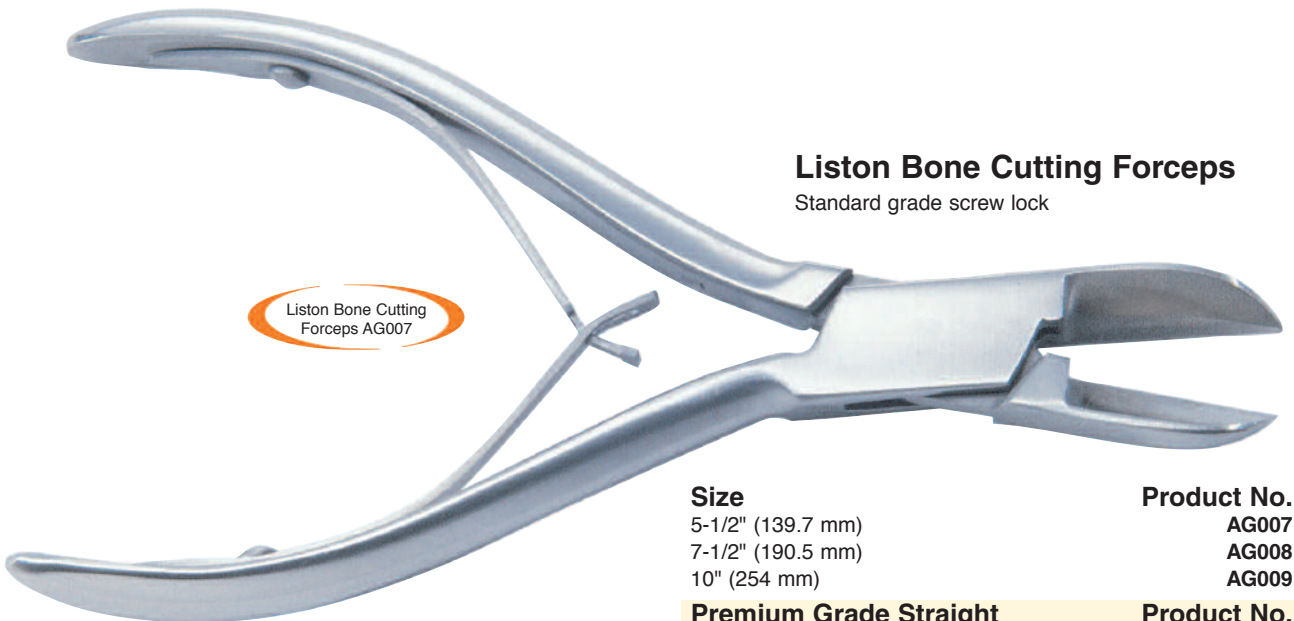
7

8

9

10

11



Liston Bone Cutting
Forceps AG007

Liston Bone Cutting Forceps
 Standard grade screw lock

Size
 5-1/2" (139.7 mm)
 7-1/2" (190.5 mm)
 10" (254 mm)
Product No.
 AG007
 AG008
 AG009

Premium Grade Straight
 5-1/2" (139.7 mm)
 7-1/2" (190.5 mm)
 8-1/2" (215.9 mm)
 6" (152.4 mm) Littauer Liston
Product No.
 AG107
 AG108
 AG109
 AG110



Liston Bone Cutting
Forceps AG110

Bone Cutting



Standard Grade

Gluck Bone Shears, Semi Eccentric Lock
8-1/2" (215.9 mm)

Rib Shears, Plain, Curved, Screw Lock
9-1/2" (241.3 mm)

Councilman's Rib Shears, Box Lock
15" (381 mm)

Plain Bone Shears,
8-3/4" (222.2 mm), 2" (50.8 mm) Jaws

Constable Shears,
9-1/2" (228.6 mm), 2" (50.8 mm) Cutting Jaws

Premium Grade

Gluck Bone Shears, Semi Eccentric Lock
8-1/2" (215.9 mm)

Product No.

AF001

AF002

AF004

AF005

AF006

Product No.

AF101



Hand-Held Bone Shear Sharpener



- 1
- 2
- 3
- 4
- 5
- 6
- 7
- 8
- 9
- 10
- 11

Bone Cutting

1



Rib Cutting Knife

Description

7-3/4" 40 mm Cutting Edge, (200 mm)
7-3/4" 25 mm Cutting Edge, (200 mm)

Product No.

AF007
AF008

2

3

4

5

6

7

8

9

10

11

Rachiotome

Standard grade stainless steel with
1-1/2" (152.4 mm) cutting edge,
overall length 6" (152.4 mm)
Product No. AG017



Skull Breaker

Standard Grade

Virchow Skull Breaker, 5/8" Cutting Blade (15.87 mm)
Handle, 3.625" Long (92.1 mm)

Product No.

AH004

Premium Grade

Virchow Skull Breaker, 1/2" Cutting Blade (12.7 mm)
Handle, 3.625" Long (92.1 mm)

Product No.

AH104

Bone Cutting



Bone Mallet
AE005



Bone Mallet
AE004

Bone Mallets

Standard Grade

Lead-Filled, 35mm Face 9-1/2" (241.3 mm)
Mallet, 1-1/8" (28.6 mm) Face 9" (228.6 mm)

Product No.

AE004
AE005

Premium Grade

8 oz. Lead-Filled Head w/Stainless Jacket
7-1/2" (190.5 mm)
9 oz. Solid Stainless Head 7-1/2" (190.5 mm)

Product No.

AE104
AE105



Postmortem Hammer
AH005

Postmortem Hammers

Standard Grade

12 oz. Solid Stainless Steel
Hook Handle 8" (203.2 mm)

Product No.

AH005

Premium Grade

Hook Handle 9-1/2" (241.3 mm)

Product No.

AH105



Multi-Function Dissection Tools

Versatile multi-function stainless steel tools are ideal for delicate and heavy-duty dissection procedures. May be cleaned with Mopec's laboratory cleaner or disinfectant.

Heavy-Duty Dissection Tool

Pointed tips for accurate, secure grip and tissue retraction. Paddle end ideal for isolating and retracting tissue during large dissection procedures. Available with curved, blunt-prong end, or curved sharp-prong end.

Light Duty Dissection Tool

Ideal for delicate and light duty dissection procedures. Available in a variety of thin to wide spaced curved prongs for gently isolating and retracting fascia, ligament tissue, nerve isolation, nerve teasing, separating and spinal cord dissection. Serrated total perimeter grip assures secure tissue handling.

1

2

3

4

5

6

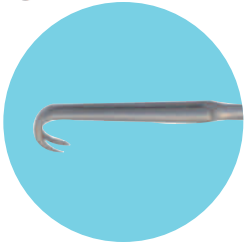
7

8

9

10

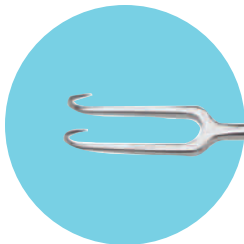
11



Dual Prong,
Shown Actual Size
AD120



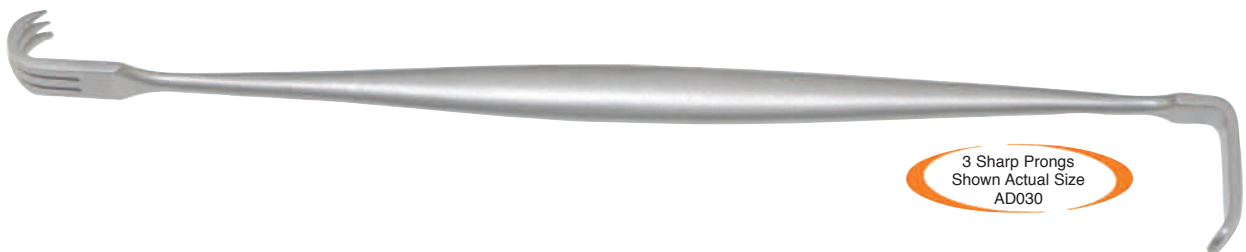
Single Prong,
Shown Actual Size
AD121



Dual Prong,
Shown Actual Size
AD122

Light-Duty Dissection Tool

Description	Product No.
Dual Prong, Sharp Narrow 6-1/8" (156 mm)	AD120
Single Prong 7" (178 mm)	AD121
Dual Prong, Sharp-Wide 6-1/4" (159 mm)	AD122



3 Sharp Prongs
Shown Actual Size
AD030



Dual Ended
Shown 6-3/8" AD031

Heavy-Duty Dissection Tool

Description	Product No.
3 Sharp Prongs 6-1/2" (165.1 mm)	AD030
Dual Ended, Blunt Prong 6-3/8" (162 mm)	AD031

Dissection Tools

8" Cavity Mirror with Handle

Reverse cavity viewing for limited dissection areas such as oral, pediatric or small animal dissection specimens. Reduces finger probing for infectious cases.

Product No. AD005



11" Body Fluid Scoop

Extra long angled handle allows easy access to abdominal and chest cavity. The large scoop provides ample capacity for removing internal fluid.

Product No. AD002



5-1/4" Section Lifter Single Ended

Effortlessly separate and lift layers or tissue.

Product No. AD042



Gigli Saws

Standard Gigli saw handle (2 per set)

Product No. AG021

Premium Gigli saw handle (2 per set)

Product No. AG121

Premium Gigli saw wire 12" (304.8 mm)

Product No. AG022



- 1
- 2
- 3
- 4
- 5
- 6
- 7
- 8
- 9
- 10
- 11

Retractors

1

8-1/2" Large Dissecting Retractor

Made of high grade German stainless steel, this curved, 4 prong retractor is 8-1/2" long. Perfect as a reliable exterior skin/tissue retractor for infectious cases. Eliminates technicians' exposure to dissection area and potential exposure for finger stick accidents. Can also be used for chest and abdominal cavity retraction during full and limited autopsy cases.

Product No. AD003



2

3

4

8-1/2" Smooth Round Edge Retractor



5

Product No. AD051

6

9-1/2" Heavy Duty Stainless Steel Retractor - Short Extension



7

8

Product No. AD052

9

10" Heavy Duty Stainless Steel Retractor - Long Extension



10

11

Product No. AD053

Retractors

Retractor Sharp 5-1/2"

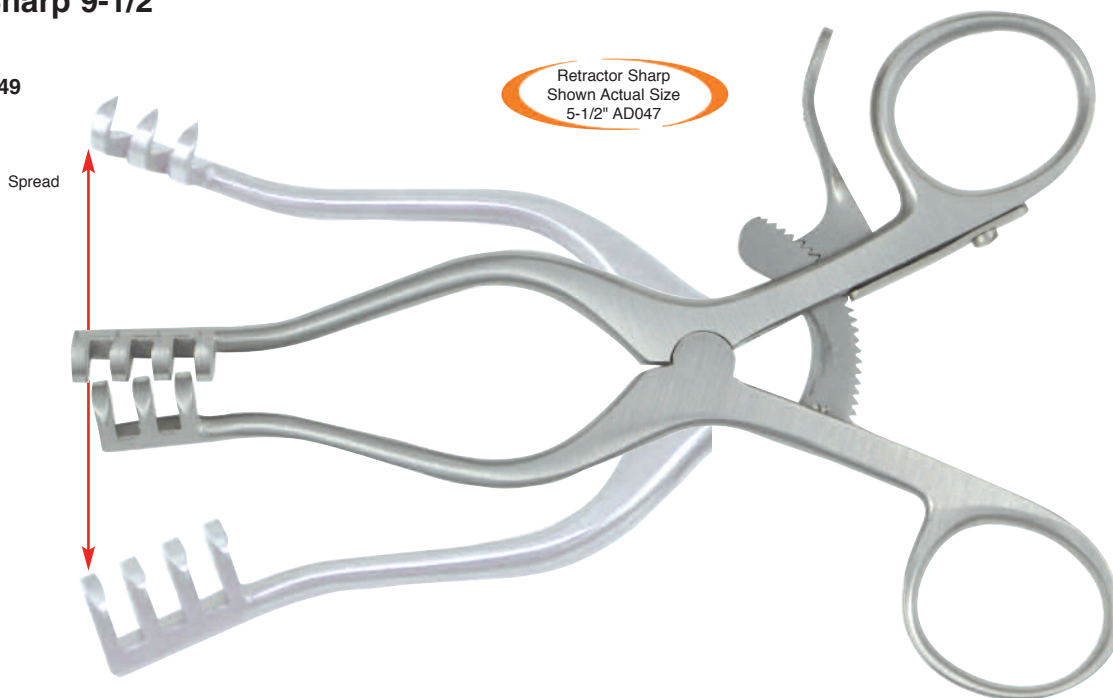
- 3 x 4 sharp prongs
- 2-7/8" spread

Product No. AD047

Retractor Sharp 9-1/2"

- 3 x 4 prongs
- 4-3/4" spread

Product No. AD049



Retractor Blunt 5-1/2"

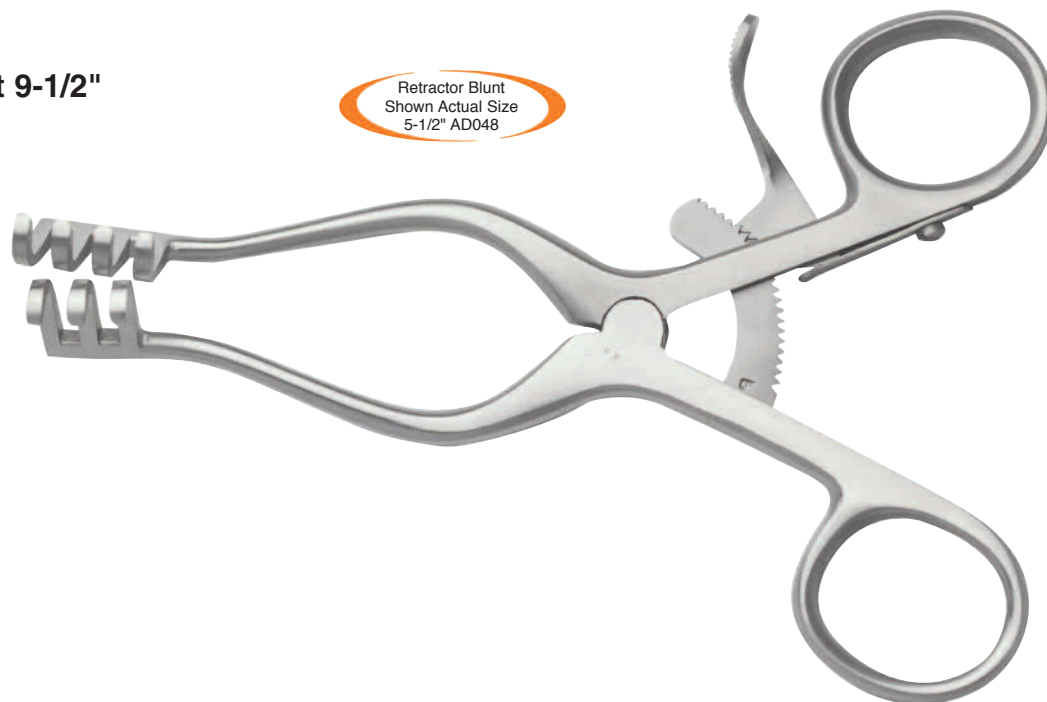
- 3 x 4 blunt prongs
- 3-1/8" spread

Product No. AD048

Retractor Blunt 9-1/2"

- 3 x 4 blunt prongs
- 4-7/8" spread

Product No. AD050



1

2

3

4

5

6

7

8

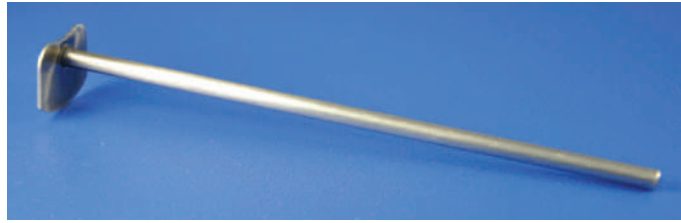
9

10

11

Dissection Aids

1



Curettage Collector

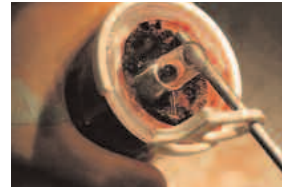
Product Application:

The AD008 consists of a handle and curved blade for removing uterine curettings from Berkeley type disposable suction curettage collection filter traps. The radius curvature of the tool matches the inner diameter of the filter trap permitting removal of all the curettage materials for visual inspection.

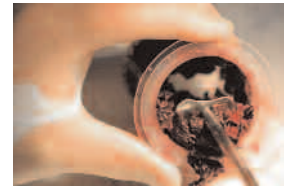
Procedure Description:

The rubber seal of the suction curettage filter trap is cut, either with a scissors or scalpel blade near the loop where the seal has been partially scored. The handle of the blade serves as a lever to remove the seal permitting the top of the filter to be removed. The blade end of the AD008 is then used to remove the uterine contents by scraping for pathologic sampling. This tool removes all tissue from the filter trap assuring no pathologic findings are missed.

Product No. AD008



Handle removes seal



Removing uterine contents

2

3

4

5

6

Teasing Needles

- Wooden handle, 5-1/2" (139.7 mm)
- Straight point

Product No. AD011



7

- Wooden handle, 5-1/2" (139.7 mm)
- Curved point

Product No. AD012



8

9



Grooved Needle Director

- 5-1/8" (130.2 mm)
- Product No. AD013**
- 5-1/2" (139.7 mm)
- Product No. AD004**

10



Double Prong Flesh Hook

- 3" (76.2 mm)
- Product No. AD009**

11

Flexible with Eyelet



6 per pack

- 5 1/2" (139.7 mm)
- 6" (152.4 mm)
- 8" (203.2 mm)
- 10" (254 mm)
- 12" (304.8 mm)

Product No.

- AD026
- AD014
- AD027
- AD015
- AD028

Dissection Aids

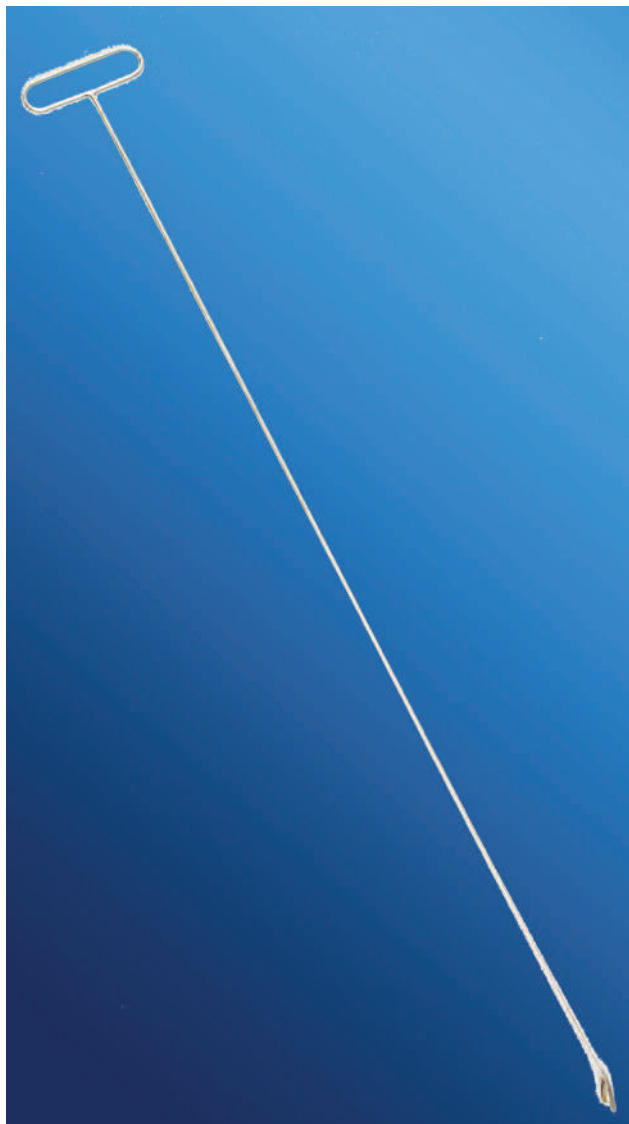
Spinal Cord Remover

Stainless steel. Measures 30-1/2" (774.7 mm) long.

Product No. AG020



AG020



Bullet Probes

Excellent for tracking bullet path and angle of entry. All stainless steel, available in three sizes: 22, 38 and 45 caliber. Blunt probing end has rounded tip for minimal damage.



Description

18" L (457.2 mm), 22 Caliber
18" L (457.2 mm), 38 Caliber
18" L (457.2 mm), 45 Caliber

Product No.

AD019
AD020
AD021

1

2

3

4

5

6

7

8

9

10

11

Dissection Instrument/Knife Holders

1

Stainless Steel Forceps Jar

Holds forceps, scissors, scalpels, etc. Can be easily cleaned and is autoclavable. Extra heavy weighted base prevents tipping. Available in two sizes.

2-1/8" Dia. x 4-1/2" D x 4-5/8" H
(54 mm x 114 mm x 118 mm)

Product No. BA008

2-1/8" Dia. x 7-1/4" D x 7-3/8" H
(54 mm x 184 mm x 187 mm)

Product No. BA009



BA009 Forceps Jar



Instruments not included

2

3

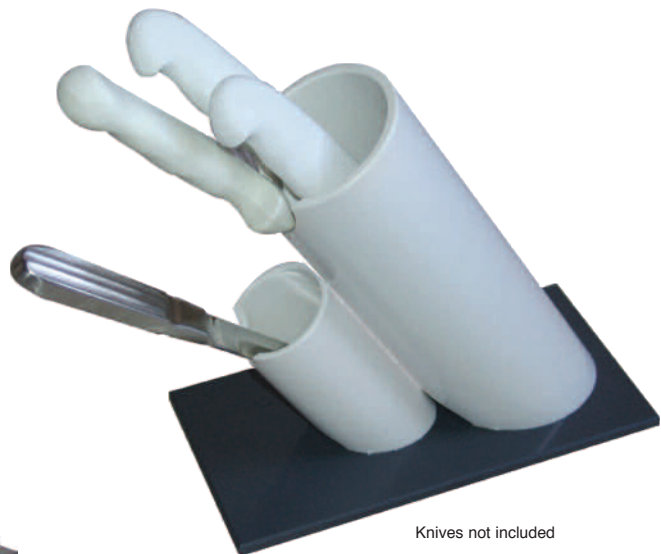
4

5

Pathology Dissecting Knife Holder

Developed by a pathologist, David Pinkhasov PA, PhD, this simple design knife holder allows the handle to protrude for safe gripping. Simply place your sharp knives in either slot and they are kept out of harm's way. The two tubes make it easy to organize your instruments and the angled notches keep the knives separated, ready for use. The slot at the bottom allows for drainage and easy cleaning. Made of heavy-duty, durable plastic to ensure a long product life and reduces dulling of your dissecting knives.

Product No. AH116



Knives not included

6

7

8

9

10

11

Binocular Magnifying Loupe

2.5x Magnification with coated optics. Lightweight, mounted on spectacle frame. 30 cm focal distance, 10 cm viewing area, pupillary distance adjustment. Complete with carrying case.

Product No. AK100



Instrument Cases



Please note, instruments cannot be substituted. This is prepackaged and sold "as is"

Student Dissecting Kit

Zippered instrument kit with safety straps. Kit contains 1 each of the following.

- AA008 - Dissecting scissors straight. 5-1/2" S/B
- AA021 - Mayo scissors curved. 5-1/2"
- AB003 - Dressing forceps 5-1/2"
- AB011 - Tissue forceps 1x2 Teeth 5-1/2"
- AC003 - Kelley forceps straight. 5-1/2"
- AC004 - Kelley forceps curved. 5-1/2"
- AD004 - Grooved director plain end 5-1/2"
- AD029 - Triple chain hook
- AD041 - Mayo-hegar needle holder 6"
- AJ101 - Knife handle #4
- Mopec pen
- Vinyl burgundy case

Product No. AA305



Professional Padded Instrument Case

Now you can keep your instruments neat and protected. Zippered Professional Instrument Case is made of black padded vinyl and lined with a red brushed velvet-like cloth. Elasticized safety straps (38) are attached to securely hold instruments. Protective safety flap is attached to side. Measures 25" (635 mm) from end to end when fully opened. 12" W x 16" H (305 mm x 406.4 mm) when zippered shut. Outside of case can be wiped down with a damp cloth. Color - black. **Instruments not included.**

Product No. AA310

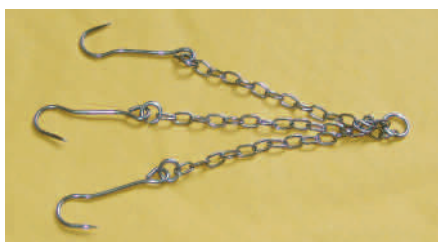


Student Instrument Case

Designed for the student to carry instruments back and forth. Zippered Student Instrument Case is made of vinyl and lined with a dark red brushed velvet-like cloth. Twelve elasticized safety straps are attached to securely hold instruments. Pen strap is in the middle of case. Protective safety flap is attached to side. Measures 15" (381 mm) from end to end when fully opened. 7" W x 8-1/4" H (178 mm x 209.5 mm) when zippered shut. Outside of case can be cleaned with a damp cloth. Choose either burgundy or black. **Instruments not included.**

Product No. AA300 - Black case (Not Shown)

Product No. AA301 - Burgundy case



Triple Chain Hook

- Standard grade stainless steel

Product No. AD029

1

2

3

4

5

6

7

8

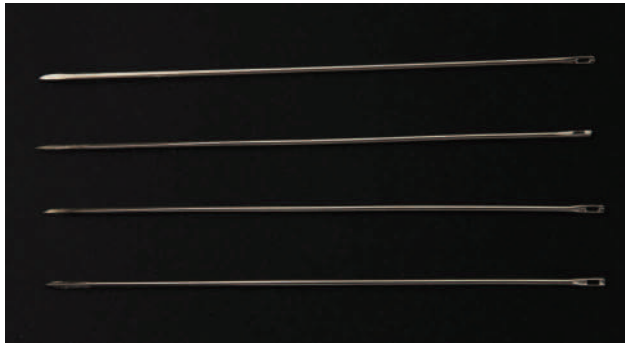
9

10

11

Postmortem Needles

1



Stainless Steel Post Mortem Needles

- Sold in package of 12
 - Overall length- 4" (10.16 mm)
- Product No. AD115**

2

3

4

5

6

7

8

9

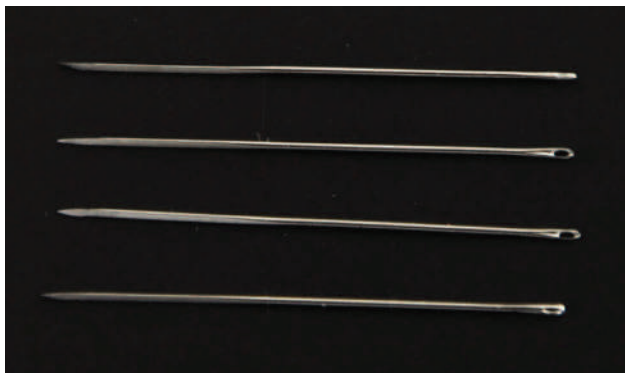
10

11



Stainless Steel Post Mortem Needles

- Sold in package of 12
 - Overall length- 3" (7.62 mm)
- Product No. AD116**



Stainless Steel Post Mortem Needles

- Sold in package of 12
 - Overall length- 2" (5.08 mm)
- Product No. AD117**



Stainless Steel Post Mortem Needles

- Sold in package of 12
 - Overall length- 1-1/2" (3.81 mm)
- Product No. AD118**

Postmortem Needles



Half Curved Postmortem Needles

Package of 12

Size 1, 5-1/2" (139.7 mm)
Size 2, 5" (127 mm)
Size 3, 4-1/2" (114.3 mm)
Size 4, 4" (101.6 mm)
Size 5, 3-1/2" (88.9 mm)

Product No.

AD101
AD102
AD103
AD104
AD105



Double Curved Postmortem Needles

Package of 12

Size 1, 5-1/4" (133.4 mm)
Size 2, 4-3/4" (120.7 mm)
Size 3, 4-1/4" (108.0 mm)
Size 4, 3-3/4" (95.3 mm)
Size 5, 3-1/2" (88.9 mm)

Product No.

AD106
AD107
AD108
AD109
AD110



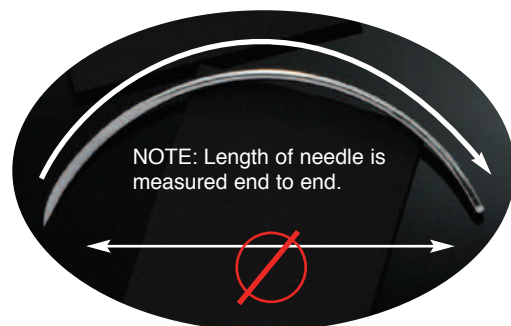
Circle Curved Postmortem Needles

Package of 12

Size 3, 3" (76.2 mm)
Size 4, 4" (101.6 mm)
Size 5, 5" (127 mm)
Size 6, 6" (152.4 mm)

Product No.

AD111
AD112
AD113
AD114



1
2
3
4
5
6
7
8
9
10
11

Needle Pullers and Thread

1

2

3

4

5

6

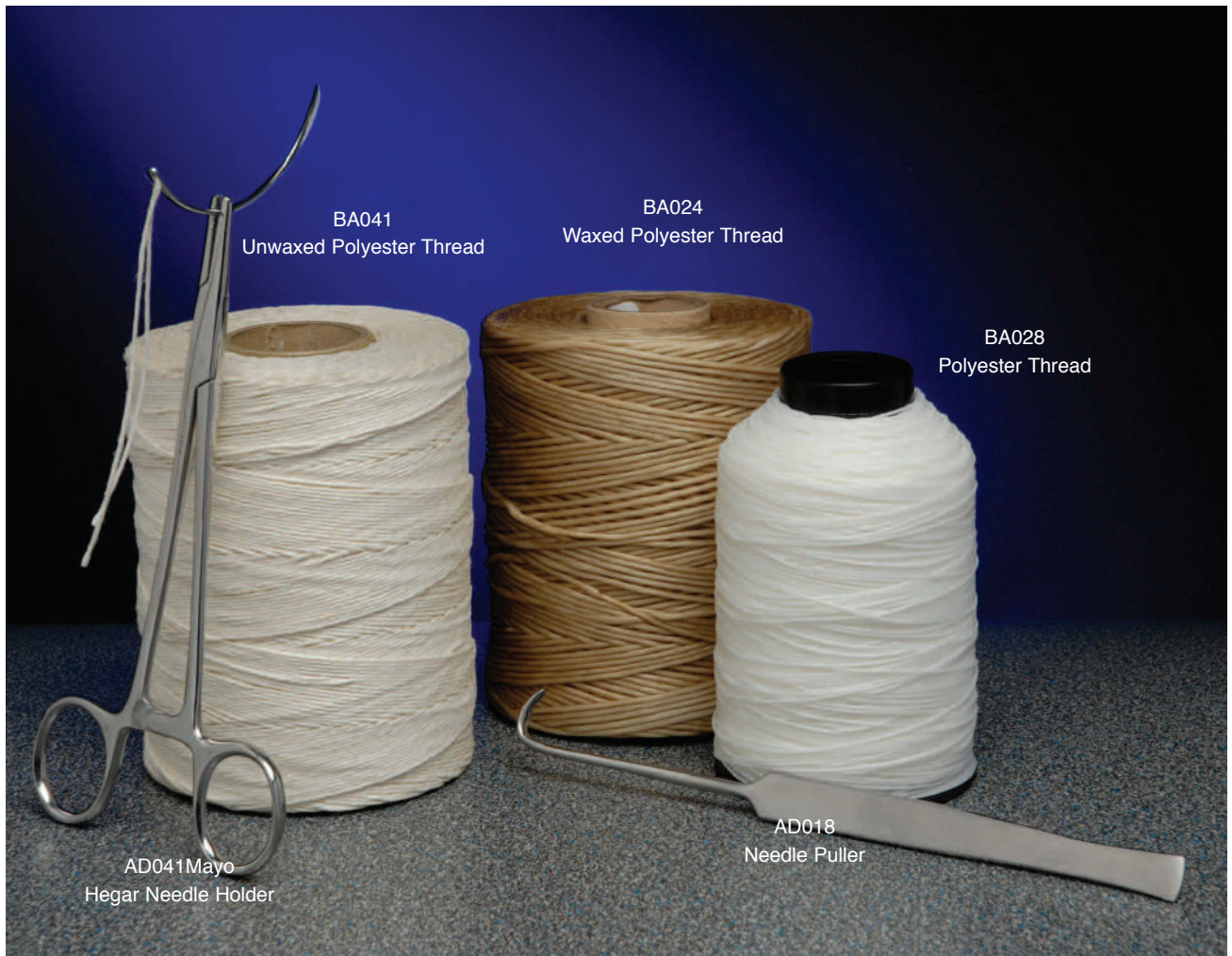
7

8

9

10

11



BA041
Unwaxed Polyester Thread

BA024
Waxed Polyester Thread

BA028
Polyester Thread

AD041 Mayo
Hegar Needle Holder

AD018
Needle Puller

Postmortem Polyester Thread, 5 Cord

Excellent quality spun polyester vinyl coated thread. Exceptional tensile strength with smooth uniform lay. Very pliable and easy to work with. Recommended for routine autopsies. A four ounce, 10 yard spool, white.

Product No. BA028

Postmortem Waxed Polyester Thread, 7 Cord

One pound, 366 yard spool. Natural color.

Product No. BA024



Heavy Duty, Thick Waxed Thread

Postmortem Unwaxed Polyester Thread, 7 Cord

One pound, 100 yard spool. Heavy-duty, thick unwaxed thread. Natural color.

Product No. BA041

Postmortem Needle Puller

Curved end holds the postmortem needle firmly allowing easy tissue pull through. Stainless steel with ribbed handle 6-1/2" long (165.1 mm).

Product No. AD018

Mayo/Hegar Needle Holder

Pulls needle thru easier. Does not slip. 6" (154.2 mm) Needles not included.

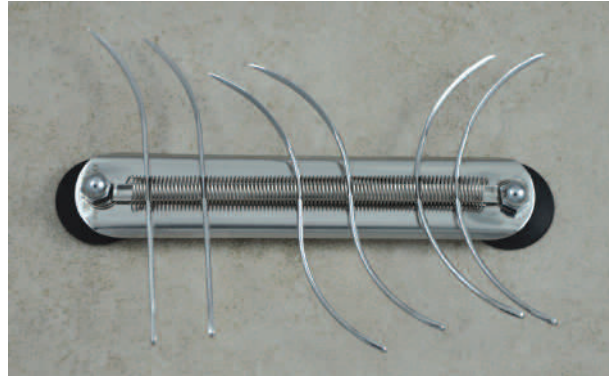
Product No. AD041

Needle Holder, Postmortem Stapler

Needle Holder

Never lose another needle. Holds up to 100 post mortem needles. Stainless steel with two rubber feet keeping it securely on the table. 5-1/2" L x 1" W (139.7 mm x 25.4 mm)

Product No. AD016



AD016 - needles not included



Postmortem Stapler

Safer: Reduces needle sticks.

Fast: Eliminates threading needles. Reduces stitching time.

Cost Effective: May be used on more than one case. 3-5 single site cases per stapler.

Convenient: Pre-loaded with 35, 1/4" length staples. Easy-to-read staple counter. Low profile for clear view. Arrow guide assists accurate placement.

Disposable.

Instructions for Use:

1. Dry incision site to remove excess fluid.
2. Place incision sealer of choice in the site. When closing skin flap on a post autopsy case, insert a 1/2" - 1" strip of absorbent towel or cotton in the incision site for best seal.
3. With tissue forceps, pull one side of skin to opposite side to close the incision.
4. Position the stapler over the incision aligning the arrow on the stapler nose with the skin edges.
5. Compress the trigger completely and release completely.
6. Continue in this fashion to the next position and repeat steps 4 and 5. Staples should be placed no more than 1/4" apart to insure good closure without leakage.
7. Cover incision site with adhesive product of choice and cover with cotton or plastic.
8. Stapler may be sterilized between uses by cold or gas sterilization. Do not use heat or steam sterilization methods.
9. Dispose of empty stapler in Infectious Waste Container.

Product No. AD046



1

2

3

4

5

6

7

8

9

10

11

Skin Punch

Skin Punch

All stainless steel skin punch will pierce heavy skin with ease. The rotating hole template can be adjusted to five (5) different hole sizes. 1 mm, 1.2 mm, 1.4 mm, 1.7 mm and 2 mm. Instrument measures 6.5 inches long. (165.1 mm)

Product No. AD045



Medical Bags



Biohazard Specimen Bags

- Bright orange and black print distinguishes stat specimens from routine specimens
- TearZone for easy opening
- Package contains 100 bags, each measuring 12" W x 15" L

Product No. BE070

Small Biohazard with TearZone®

- Package contains 100 bags, each measuring 6" W x 9" L

Product No. BE072



Medium Biohazard with TearZone®

- Package contains 100 bags, each measuring 8" W x 10" L

Product No. BE071

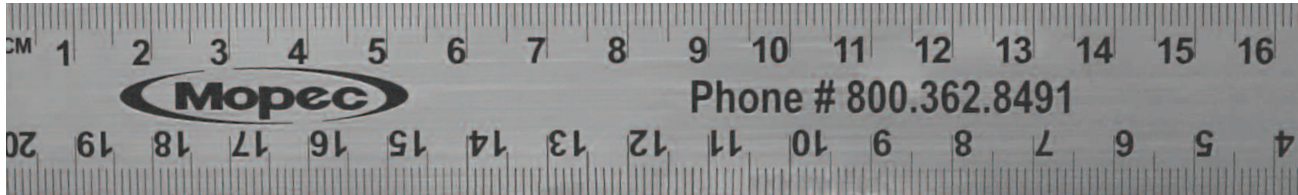
STAT Specimen® Bags

- TearZone feature for easy open
- Ziplock
- Red color shows urgency
- Package contains 100 bags, each measuring 6" W x 9" L

Product No. BE074

Rulers

Pathology Ruler

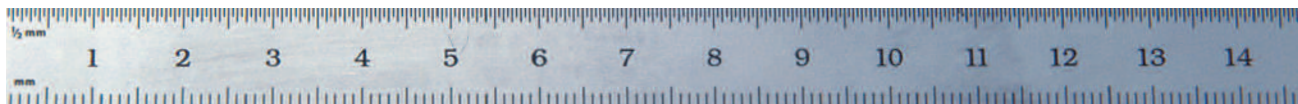


No matter what end the ruler is picked up from - no matter what side is up - the numbers are always right. Reading left to right, top to bottom, the ruler is always operational no matter how you grab it.

Product No. BA047

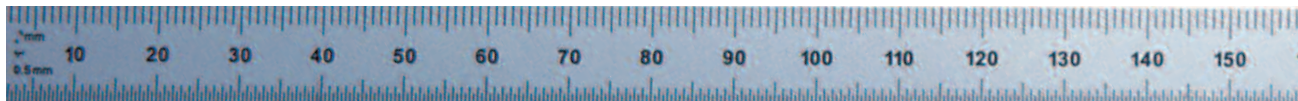
Dissecting Stainless Steel Metric Rulers

- Hardened and tempered stainless steel yet flexible
- Non-glare satin finish
- Micro fine graduation etched on surface
- Measure in increments of 0.5 mm on top edge and full millimeters on bottom
- Meets federal specifications



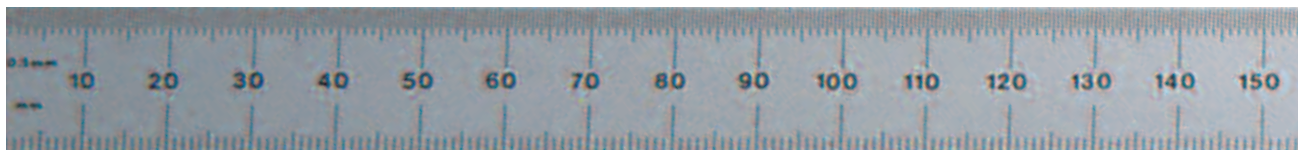
150 mm long x 1/2" wide x .015" thick

Product No. BA036



300 mm long x 1/2" wide x .015" thick

Product No. BA037



450 mm long x 3/4" wide x .020" thick

Product No. BA038

1

2

3

4

5

6

7

8

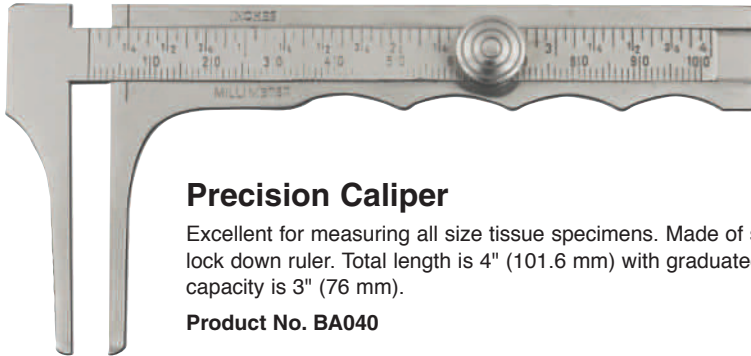
9

10

11

Measurement

1



Precision Caliper

Excellent for measuring all size tissue specimens. Made of stainless steel. Sliding caliper with a finger tip nut to lock down ruler. Total length is 4" (101.6 mm) with graduated etched markings in inches and millimeters. Width capacity is 3" (76 mm).

Product No. BA040

2

3

4

5

6

7

8

9

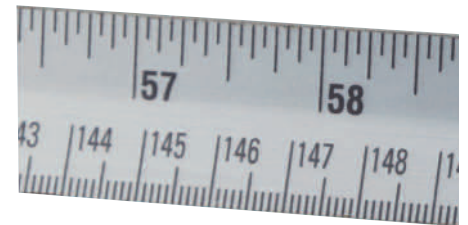
10

11

8' Stainless Steel Foldable Ruler

Tired of using your ruler and coming up short? Our stainless steel ruler is a full 8 feet long. It also folds in half and has a 1/4 diameter hole on either end for easy storage and can be hung on the wall. Total length is 8' (243.84 cm) with a plastic faced ruled edge in inches and centimeters. Width capacity is 1" (2.54 cm).

Product No. BA048



Actual width size of ruler

Cleaning and Disinfecting

Stainless Steel Cleaning and Polishing Wipes

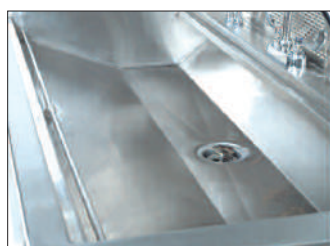
Mopec's Stainless Steel Cleaning and Polishing Wipes do just that. Effortlessly clean and polish all your laboratory equipment at the same time. Brings out the natural luster in your equipment while leaving a protective covering that repels water, fingerprints and dust. Specifically designed to be used on all lab equipment such as workstations, cabinets, refrigerators and storage areas. Use on stainless steel and most other metal surfaces. Stainless Steel Cleaning and Polishing Wipes can restore a brilliant "like new" shine to your entire lab. Removes stains, smudges and blood while leaving behind a highly polished, shiny finish. Clean-up is quick and thorough. Simply pull wipe from canister and with moderate pressure clean soiled area. Each canister contains 105 - 7"x 10" premoistened towelettes in a pop-up canister. Allow to dry for 5 minutes.



Product No. BE039



For use on workstations



sinks



and countertops

No Bleach – Non-Phenylphenol

PathWipes

Disinfectant for the Lab

One step cleaning and disinfecting for all pathology/necropsy and lab surfaces. EPA approved. EPA Reg. No. 1839-174-74952 EPA Est. No. 5747-MI-01. Clean and disinfect in a pinch with or without gloves. Effective against a wide range of pathogenic bacteria, viruses and fungi such as HIV-1, H1N1, MRSA, Herpes Simplex 2, Pseudomonas, Staphylococcus, Tuberculosis and Canine Parvo. Usual time for disinfecting surfaces is 10 minutes, allow surface to remain wet during drying time.

- Ideal for lab telephones, computers, keyboards, writing instruments, splash shields, etc.
- Perfect for cleaning and disinfecting laboratory equipment and instrumentation
- Great for those forgotten spots such as doorknobs, computer mouse, mouse pads, rulers, funnels, dictation equipment and microscopes
- Perfect next to pathology photography stations to remove those last minute blood spots and smears
- Ideal for cleaning pathology lab refrigerators and freezer surfaces

Each canister contains 160 - 6"x 6-3/4" premoistened towelettes in a pop-up canister



Product No. BE036

1

2

3

4

5

6

7

8

9

10

11

Cleaning and Disinfecting

1

Path Cloud Foaming Cleaner and Disinfectant

Proven effective against HIV-1, HIN1, Herpes Simplex 2, Staphylococcus, Pseudomonas, Canine Parvo, Tuberculosis and much more. Path Cloud destroys a wide range of pathogenic bacteria, viruses and fungi.

- Clean, disinfect and deodorize in one easy operation
- Powerful foaming action is ideal for all heavily soiled vertical or horizontal pathology services including:
 - Autopsy Tables
 - Body Trays
 - Grossing Stations
 - Plumbing Fixtures & Sinks
 - Dissection Boards
 - Lab Counters & Backsplashes
- Clinging foam cleans and disinfects all surfaces in 10 minutes
- Clean room fresh fragrance, 32 oz. (.95L) spray



Product No. BE045

Bench Spray and Wipe Decontaminating Cleaner

- Protect your personnel and their work areas
- Multi-purpose decontaminating cleaner for all laboratory work surfaces
- Bactericidal, Fungicidal and Virucidal
- Specially formulated tuberculocidal meets OSHA's Bloodborne Pathogens Standard for decontamination of hard, non-porous environmental surfaces
- Great for spill clean up
- Ideal for Pathology and Morgue work surfaces including:
 - Equipment Disinfection
 - Bench Tops and Tables
 - Refrigerators and Freezers
 - Histology Cutting Stations
 - Biomedical Instrumentation
 - Morgue/Cutting Room Floors
 - Computers
 - Laboratory Telephones and Dictation Equipment
- Mild lemon fresh fragrance
- Ready-to-use 32 oz. (.95L) spray



Product No. BE047

2

3

4

5

6

EAZY SOAK Instrument Cleaner

- Unique clear, odorless enzyme instrument cleaner is ideal for overnight soaking
- No scrubbing or pre-rinsing needed
- Digests all tissue, blood and exudative material
- Cleans instruments in 3 simple steps:
 - Step 1:** Add 1-2 oz. of EAZY Soak to one gallon hot water
 - Step 2:** Add soiled instruments
 - Step 3:** Walk away!
- Perfect for hard-to-clean instruments such as scissors, forceps, serrated cutting blades and scalpel handles
- 32 oz. (.95L) liquid concentrated formula. Makes 16 gallons
- Includes liquid dispenser measuring cap



A Green Product!

Product No. BE046



Attach dispenser and squeeze bottle to measure desired amount



Mix liquid cleaner with hot water

Instrument Cleaning Brushes

Stainless Steel: Extra firm brush designed for cleaning hard to remove exudative materials. 7-1/4" L (18.41 cm) Three per package

Product No. AB200

Nylon: Designed for general cleaning of instruments. 7-1/4" L (18.41 cm) three per package

Product No. AB201



10

11

Cleaning and Disinfecting

Stainless Steel Cleaner & Polish

- Powerful, non-corrosive cleaner for all stainless steel surfaces
- Super concentrated biodegradable formula cleans and polishes in one simple step
- Removes fresh or dried blood and tissue
- Ideal for autopsy tables, grossing stations and all stainless steel instrumentation including:
 - Biomedical Instrumentation
 - Lighting Fixtures
 - Freezers and Coolers
 - Refrigerators
 - Body Trays and Carriers
- Fresh citrus fragrance
- 32 oz. (.95L) spray bottle



Product No. BE048

Deodorx™

Developed especially for use by Medical Examiners, Deodorx™ eliminates offensive odors emitted from decomposed bodies within seconds.

From the discovery scene to the morgue, Deodorx can be used in every phase of your work. Deodorx not only removes odors from clothes, vehicles, body bags, refrigerators and other items, it keeps the odor from permeating the lab environment.

New, improved formula and completely water soluble, odorless, colorless, biodegradable, non-flammable and non-corrosive. Contains no CFC's, formaldehyde or hazardous biocides; will not attack metals, plastics, or fabrics and emits no toxic fumes. Sold in one gallon (3.8L) containers.

Product No. BE040



Lysol® I.C. Disinfectant Concentrate

Impressive anti-microbial activity - Disinfects in ten minutes!
Concentrated formula provides low cost disinfection in the pathology/necropsy areas. One gallon (3.79L) disinfects approximately 140,000 square feet of surface at a recommended 1:50 dilution in a hospital setting, 1:256 dilution, broad spectrum use. Destroys a wide range of pathogenic bacteria, viruses and fungi. Meets OSHA's Bloodborne Pathogens Standard for decontamination of hard, non-porous environmental surfaces such as stainless steel. EPA Registration No. 47371-129-675.



Product No. BE022

Deodorx Plus™

Also available is Deodorx Plus - Super cleaner deodorizer and degreaser for the morgue, lab and pathology equipment, including grossing stations, refrigerator, body bags, cabinets, tables, sinks and more. Sold in one gallon (3.8L) containers.

Product No. BE042



EZ-Zyme Instrument Cleaner



Simply open the packet of concentrate. Dilute into a gallon of warm tap water and place your hard to clean instrument into the solution. No hand scrubbing required. All tissue debris will dissolve leaving every crack and crevice of your dissection instruments looking brand new. This product is not a disinfectant, just one of the best enzyme cleaners on the market. Easy to use and, saves storage space. Box contains 32 packets.

Product No. BE100



Spray Lube

Spray on all moving parts of instruments after cleaning and before autoclaving. Let instrument drain. Rinsing and wiping are unnecessary. Instruments must be autoclaved. Contains 8 fluid oz.

Product No. BE060

1

2

3

4

5

6

7

8

9

10

11

Care and Cleaning

1

Now that you have purchased high quality instruments for your lab, it is important to care for them so they will last longer. Mopec recommends the following procedures to keep your instruments free from spotting or corroding.

Rinsing: Immediately after using your instruments, remove all gross matter using warm running water. Do not mix metals such as chrome plated, stainless steel, titanium, etc.



Disinfecting: Disinfect instruments by placing them in one of Mopec's cleaning and EPA approved disinfecting cleaners. All instruments should be cleaned completely prior to sterilization.

Ultrasonic Cleaning: Ultrasonic cleaning is the most effective way to remove small particles from intricate instruments. All instruments must be fully submerged within sterilizer. Do not overload sterilizer – keep instruments from touching each other. Change solution often, according to manufacturers' instructions. When sterilization is completed, rinse instruments with water to remove cleaning solution. Lubricate any hinged instruments. Use a lubricant designed especially for surgical instruments Do not use industrial oils or lubricates.

Automatic Washer Sterilizers: Follow instructions given with sterilizer but lubricate instruments after last rinse cycle and before sterilization cycle.

Note: Forceps and Scissors may crack if sterilized in the closed position. Do not steam autoclave chrome plated instruments or rubber tipped forceps.

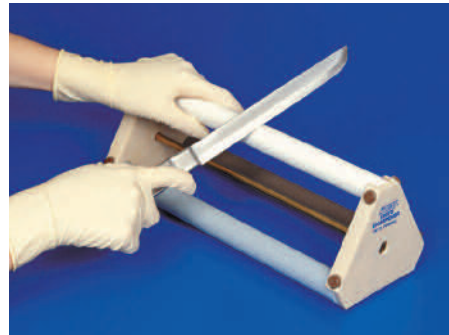
Manual Cleaning: Use a stiff nylon cleaning brush (page 70). Do not attempt to use steel wool or other wire brushes not recommended for stainless steel instruments. You may damage the instrument. Brush instruments and remove all gross matter. Use



only neutral pH7 detergents. Anything less than pH6 may damage instruments resulting in pitting and black staining. Higher than 7pH may cause brown stains. After scrubbing, thoroughly rinse instruments under running water. Make sure hinged instruments are rinsed out, opening and closing scissors and other instruments.

Drying: Use a soft towel to remove some of the water residue, being careful not to cut yourself on any sharp edges, then air dry instruments and store in a clean and dry environment.

Sharpening: Dropping or careless handling will cause sharp edges on certain instruments to nick or become irregular. Resharpener at regular intervals is also recommended. If an instrument is allowed to become dulled, it will be necessary to remove a greater amount of metal when sharpening. The task is time consuming and the original form of the edge is much more difficult to maintain. The size of the edge will decrease with sharpening which over time will also decrease the effectiveness of the instrument. Mopec recommends discontinuing use of the



instrument whose edge has decreased to about half of the original size or when a sharp edge can no longer be achieved. Mopec offers both manual and electric sharpening devices.

Proper handling and cleaning will ensure your instruments years of service.



2

3

4

5

6

7

8

9

10

11

Mopec's Guarantee

If you don't agree that Mopec's instruments are the best instruments in your laboratory, simply return them and we will issue a full credit.

AUTOPSY ACCESSORIES

Chapter 2



Bone Dust Collector	74
Mopec's Standard Autopsy Saw	75
ZawBones	76
Autopsy Saws & Saw Reconditioning	77
Autopsy Saw Blades	78
SuperCut Blades	79
Instrument Trays and Covers	80
Buckets and Strainers	81
Strainers, Funnels and Table Head Rinse	82
Amputation Dissecting Board and Limb Lock	83
AccuBoard™	84
Dissecting Tables	85
Polyethylene Dissecting Boards	86
Disposable Boards, Dissecting Boards and Trays	87
Disposable Cutting Boards	87
Headrests and Body Support Shim	88
Body Slats and Autopsy Head Drape	89
Body Bags	90-93
Body Tags	93
Cadaver Covers	94
X-Ray Illuminators	95
Dissecting Lights	96-97
Digital Scales	98
Scale and Scale Stand	99
Specimen Scales, Compact Scales	100
ACCULAB Scales	101-102
Acrylic Glove Dispensers	103
Stainless Steel Gloves	103
Floor Scale	104
Lift Deck Scale	105
Fluid Collection and Embalming Supplies	107
Evidence Cabinet	108
Specimen Carts	109
Mobile Book Holder and Podium	110

Bone Dust Collector

Designed to attach to Mopec, Stryker and many other autopsy saws. The vacuum motor is wired to start when the saw is turned on.

1

Powerful Vacuum System

Harmful airborne pathogens are trapped in a uniquely designed disposable HEPA filter.

2

Mobile

The Bone Dust Collector is mounted onto a single lightweight module that can easily roll from the autopsy suite to the surgical dissection bench.

3

4

5

6

7

8

9

10

11



BD080 For use with Mopec Saw, (saw sold separately)

HEPA Vac Specifications U.S. Specifications

Electrical:	120Volt/60Hz/1Ph, 8.5 Amp
Cord Length:	10 feet.(304.8 cm)
Dimensions:	23" L x 15" W x 23-1/2" H (58.4 cm x 38.1 x 59.7 cm)
Weight:	25 lbs (11.3 kg)
Hose:	1" I.D. x 102" (2.5 cm x 259 cm)

When ordering, be sure to confirm the manufacturer of the autopsy saw that the Bone Dust Collector will be used with (saw not included).

Bone Dust Collector

Electrical:	120Volt(50-60)Hz/1Ph, 8.5 Amp
Electrical Cord Length:	10 feet (304.8 cm)
Hose Length:	1.25" I.D. x 10 feet (3.2 cm x 30.5 cm)

HEPA Bone Dust Collector for (Mopec Saw) 120V
Product No. BD075

HEPA Bone Dust Collector for (Stryker Saw) 120V
Product No. BD080

HEPA Bone Dust Collector for (Mopec Saw) 220V (International)
Product No. BD076

HEPA Bone Dust Collector for (Stryker Saw) 220V (International)
Product No. BD081

HEPA Filter, Replacement
Product No. BD053



Convenient saw hanger



Heavy duty cast aluminum vacuum blade cover

Mopec's Standard Autopsy Saw



- Rugged construction
- On/Off switch designed and placed so that it will not break if dropped
- Non-metallic housing reduces heat and noise
- 10 foot electrical cord with hospital grade plug
- Complete with large section blade (BD101), arbor and Allen wrench for set screws
- High-speed oscillations at 28,000 CPM
- Used for removing the cranial cap, making linear cuts or sectioning small bone specimens
- Special lubrication guarantees long life

U.S. Specifications

Mopec Autopsy Saw
Electrical: 120Volt/60Hz/1Ph, 1.5 Amp - No Load
Weight: 4 lbs. (1.81 kg)

Product No. BD040

International Specifications

Mopec Autopsy Saw
Electrical: 220Volt/50Hz/1Ph, 0.7 Amp - No Load
Weight: 4 lbs. (1.81 kg)

Product No. BD045



ZawBones

Ideal for Femoral, Humeral or Other Round Bone Specimens

Easy as 1-2-3. ZawBones is Mopec's simple-to-use manual device for safe and easy bone sectioning. The unique dual blade configuration immobilizes bone specimen by securely holding the bone in place. Non-slip pads on base.

ZawBones

Product No.

Dimensions: 9" L x 7" W x 6" H

(228.6 mm x 177.8 mm x 152.4 mm)

(Includes one set coarse and fine blades)

BD130

Replacement Saw Handle Only

BD131

Replacement Blades, Coarse

BD135

Replacement Blades, Fine

BD136

(Blade Dimensions: 12-3/8" (314.32 mm))

1

2

3

4

5

6

7

8

9

10

11



1. Raise the upper jaws to insert bone specimen between teeth on the base and upper jaws. ZawBones will hold bone specimens up to 4" (101.6 mm) diameter.



2. Insert saw into the space between the upper jaws. Bone is immobilized by placing downward pressure on the upper jaws. Now use the saw to cut your section with ease and precision.



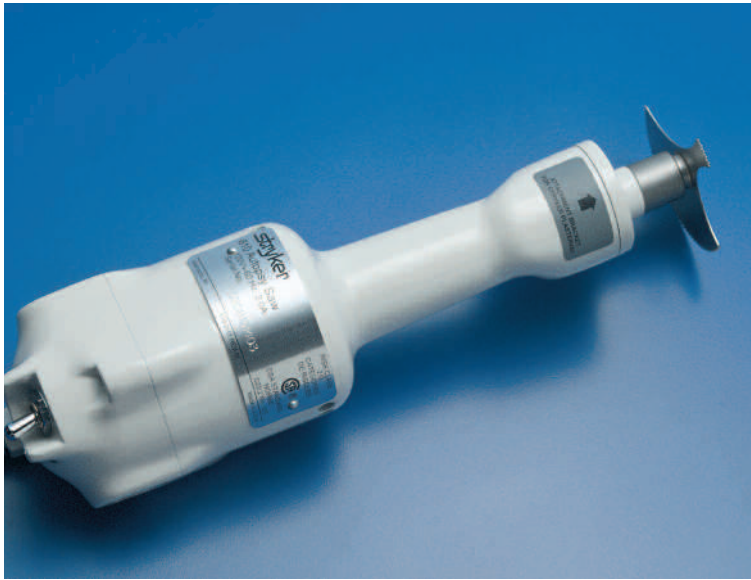
3. Raise the upper jaws and remove your 2 mm section from between the saw blades. The entire unit can be disassembled without tools for easy cleaning.

BD135
Coarse Tooth Dual-Blade
(18 Teeth Per Inch)

BD136
Fine Tooth Dual-Blade
(24 Teeth Per Inch)

Two cutting blades are fastened together with a 2 mm spacer ensuring accurate cutting

Autopsy Saw and Saw Reconditioning



Stryker Autopsy Saw

The Stryker autopsy saw has long been a reliable instrument for the pathology industry. The high speed oscillating action quickly cuts through bone without harming soft tissue. Used for removing the cranial cap, making linear cuts or sectioning small bone specimens. Durable and easy to handle. 120V/60Hz/1PH UL listed.

NOTE: For Stryker Autopsy Saw warranty or repair, please contact Stryker.

Product No. BD001



Mopec Saw Reconditioning Service (Mopec Saws Only)

Mopec will replace:

- All bearings
- All worn internal parts
- Electrical switch and power cord
- Armature and electrical fields

An evaluation fee will be charged if the saw cannot be reconditioned

6-Month Unconditional Warranty!

Product No. BD009

Mopec can recondition your old Mopec Autopsy Saw, often at a Fraction of a Price of a New Saw



1

2

3

4

5

6

7

8

9

10

11

Autopsy Saw Blades

1

2

3

4

5

6

7

8

9

10

11



Stainless Steel Autopsy Saw Blades

Stainless steel autopsy saw blades are hardened to prolong life and sharpness. Mopec's stainless steel autopsy blades combine the highest quality with an affordable price.

Description

- Large Section Blade with Arbor 2-1/2" (63.5 mm)
- Large Section Blade without Arbor 2-1/2" (63.5 mm)
- Small Section Blade with Arbor 1-3/4" (44.5 mm)
- Small Section Blade without Arbor 1-3/4" (44.5 mm)
- Spinal Column Blade with Arbor 3-7/8" (98.5 mm)
- Spinal Column Blade without Arbor 3-7/8" (98.5 mm)
- Round Blade with Arbor 2-1/2" (63.5 mm)
- Round Blade without Arbor 2-1/2" (63.5 mm)
- All Stainless Steel Arbor
- Arbor Wrench (pictured)

Product No.

- BD101
- BD102
- BD108
- BD109
- BD105
- BD112
- BD104
- BD103
- BD106
- BD107



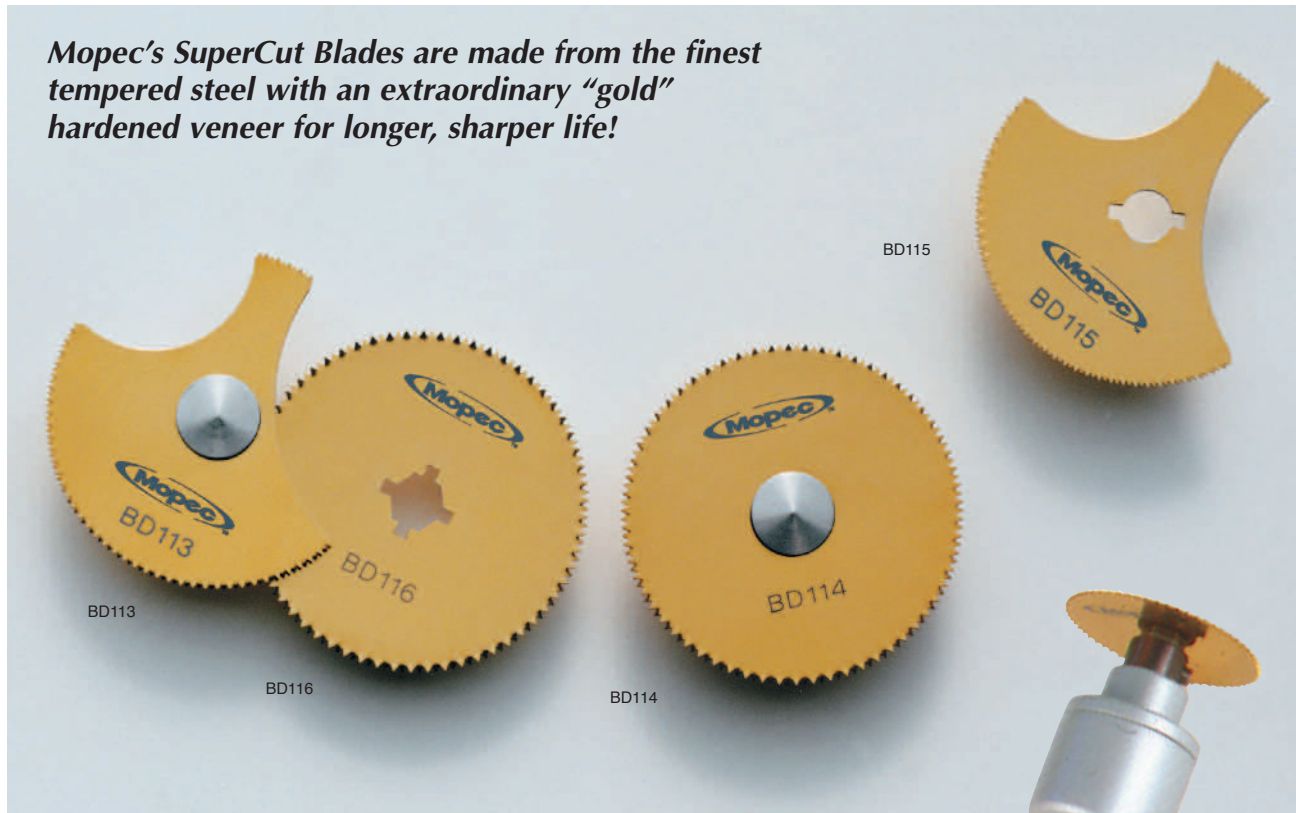
Arbor Wrench
BD107

SuperCut Blades

SuperCut Autopsy Saw Blades

- Manufactured of stainless steel and coated with an extraordinary hardened veneer
- Durable "gold" coating across the entire surface
- Unique coating assures longer and sharper life

Mopec's SuperCut Blades are made from the finest tempered steel with an extraordinary "gold" hardened veneer for longer, sharper life!



Description

- Large Section Blade with Attached Arbor 2-1/2" (63.5 mm)
- Round Blade with Attached Arbor 2-1/2" (63.5 mm)
- Large Section Blade without Arbor 2-1/2" (63.5 mm)
- Round Blade without Arbor 2-1/2" (63.5 mm)

Product No.

- BD113**
- BD114**
- BD115**
- BD116**

Extra sharp teeth provide a clean, precise cut



Stainless Steel Instrument Trays and Covers

1

2

3

4

5

6

7

8

9

10

11



Instrument Tray and Cover Sets with Ridged Bottoms



Instrument Tray and Cover Sets



Stainless Steel Instrument Tray & Cover Set

Description	Product No.
Tray and Cover, 17" L x 4" W x 2-1/8" D (43 cm x 10.2 cm x 5.1 cm)	BA010
Tray and Cover, 8-7/8" L x 5" W x 2" D (22 cm x 12.7 cm x 5.1 cm)	BA011
Tray and Cover, 8-7/8" L x 5" W x 3" D (22.6 cm x 12.7 cm x 7.6 cm)	BA012
With Ridged Tray Bottom, 8-1/2" L x 3" W x 1-1/2" D (21.6 cm x 7.6 cm x 3.8 cm)	BA013
With Flush Handle, 12-1/8" L x 7-5/8" W x 2-1/8" D (30.7 cm x 19.4 cm x 5.4 cm)	BA014



Stainless Steel Instrument and Sterilization Pans & Cover

Description	Product No.
Set Includes Cover, Perforated and Solid Pan Contains BA015, BA016 and BA017	BA054
Individually Perforated Pan, 21" L x 13" W x 4" D (53.3 cm x 33.0 cm x 10.2 cm)	BA016
Solid Pan, 20-3/4" L x 12-3/4" W x 6-3/8" D (52.7 cm x 32.3 cm x 16.1 cm)	BA017
Cover Only, Flush Handle, 21" L x 13" W (53.3 cm x 33.0 cm) Also fits BA033, BA034, BA035	BA015



Stainless Steel Instrument Tray

Description	Product No.
7-1/8 qt. Tray, 20-3/4" L x 12-3/4" W x 2-1/2" D (52.7 cm x 32.4 cm x 6.4 cm)	BA033
13-1/2 qt. Tray, 20-3/4" L x 12-3/4" W x 4" D (52.7 cm x 32.4 cm x 10.2 cm)	BA034
20 qt. Tray, 20-3/4" L x 12-3/4" W x 6" D (52.7 cm x 32.4 cm x 15.2 cm)	BA035

Buckets and Strainers

Mortuary Bucket, Cover and Kickstand



Mortuary Bucket and Cover with Kickstand - BA007

Made of non-corrosive stainless steel, Mopec's containers and covers can be heated and have a smooth inner surface for easy cleaning.

Description

Complete set: Kickstand, Bucket and Cover
 Bucket and Kickstand - without cover
 Mortuary bucket 12-1/2 qt. (11.8 L)
 12" Top dia., 7-7/8" base dia., 10" D
 (30.5 cm x 20.0 cm x 25.4 cm)
 Bucket Cover

Product No.

BA007
BA031

BA005
BA006

Multi-Purpose Specimen/ Instrument Utility Bin with Strainer

Constructed of rugged, washable, polyethylene; this perforated multi-purpose bin with strainer provides an ideal unit for:

temporary specimen fixation, instrument soaking and treatment or specimen collection and presentation. Approximately 300 holes, 1/4" diameter. Side handles allow unit to easily lift from the base for fast efficient drainage and/or rinsing. Unit includes a depressed molded lid to minimize exposure to potentially harmful fixation or disinfectant solutions. Stackable.



Size:
 Top, 20-1/2" L x 16" W (52.0 cm x 40.6 x 12.7 cm)
 Strainer, 20" L x 15" W x 5" D (50.8 cm x 38.1 cm x 12.7 cm)
 Multi-purpose base, 20" L x 15-1/2" W x 7" D (50.8 cm x 39.3 cm x 17.7 cm)

Product No. BA053

Stainless Steel Specimen Containers



Used for tissue or specimen storage. Made of stainless steel.

Description

1-1/4 qt. (1.2 liter) (4-1/8" Body dia., 5-3/4" D x 4-3/4" Over bead dia.) (10.5 cm x 14.6 cm x 12.1 cm)
 2 qt. (1.9 liter) (4-7/8" Body dia., 6-3/4" D x 5-1/2" Over bead dia.) (12.4 cm x 17.2 cm x 14.0 cm)
 4-1/4 qt. (4 liter) (6-1/8" Body dia., 7-5/8" D x 7-1/8" Over bead dia.) (15.6 cm x 19.4 cm x 18.1 cm)

Product No.

Cover, Fits BA018 **BA018**
 Cover, Fits BA019 **BA019**
 Cover, Fits BA020 **BA020**
BA021
BA022
BA023

Standard Bowl Strainer



Mopec's stainless steel bowl strainer offers a broad collection bin. Small scattered drainage holes (approximately 300 holes - 1/4" in diameter) allow slow controlled straining and rinsing. Capacity 14 quart. Excellent for small delicate tissue specimens. Dimensions: 16-3/16" Dia. x 5-1/2" D (41.1cm x 13.9 cm.)

Product No. BA050



Strainers, Funnels and Table Head Rinse

1

2

3

4

5

6

7

8

9

10

11

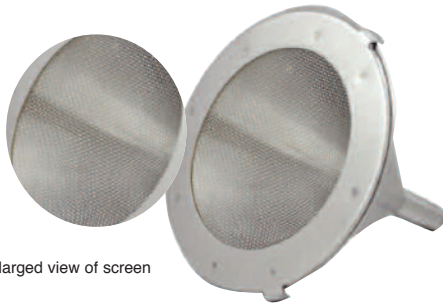
Upright Pail Specimen Strainer



- Standard grade stainless steel
- Upright strainer pail with base feet and large drainage holes
- Overall dimensions: diameter 9-1/4" W (235 mm) x 5-1/2" H (140 mm)

Product No. BA046

Stainless Steel Funnel with Screen



Enlarged view of screen

- Funnel is constructed of 20 gauge stainless steel and includes a wire mesh screen
- Diameter of funnel is 5" x 5-3/8" H (127 mm x 136.5 mm) - OD
- Used for formalin collection systems and specimen pour-off

Product No. BA077

Funnels

Stainless steel with side handle. Various sizes available.



Size - Capacity	O.D. Dia. of Funnel	Product No.
2-3/8 oz. (68 ml)	3" (7.6 cm)	BA042
13 oz. (369 ml)	5" (12.7 cm)	BA043
2 qt. (1.9L)	8-3/4" (22.2 cm)	BA044

Table Surface Rinse



Add a table top surface rinse to your current autopsy table. The chrome plated rinse device provides a flow of water over the table surface during use. Simply lay the unit on table and hand connect the end to rubber tubing which is then connected to your water supply. Fully adjustable, the flow coverage is adjusted through the water pressure on the table plumbing faucet. Bracket is provided to fit under the head block to lay flat on the autopsy table top. Use with optional cadaver headrest as shown. The unit measures 9-1/2" W (24.1 cm) x 9" L (22.8 cm). Portable and economical - unit can be used on a variety of autopsy/necropsy tables. Simply hand disconnect and use on next table.

Product No. BE120



BE120 shown with optional BA025 Rubber Headrest and optional BE016 Clear Plastic Tubing

Optional Accessories for BE120



Rubber Headrest

Product No. BA025



Clear Plastic Tubing

- Thick walled. Sold in 10 ft. (304.8 cm) increments or greater

Product No. BE016

Amputation Dissecting Board/Limb Lock

Amputation Dissecting Board

Exclusive to Mopec, the Amputation Dissecting Board was designed by David Pinkhasov PA, PhD, a pathologist that saw the need for additional help during a routine dissection. This simple design provides a safe and steady method to secure leg specimens during surgical or autopsy pathology dissection. The Amputation Board is sturdy and stands by itself on any table or surface. The heavy gauge stainless steel u clamps hold the foot securely in place.

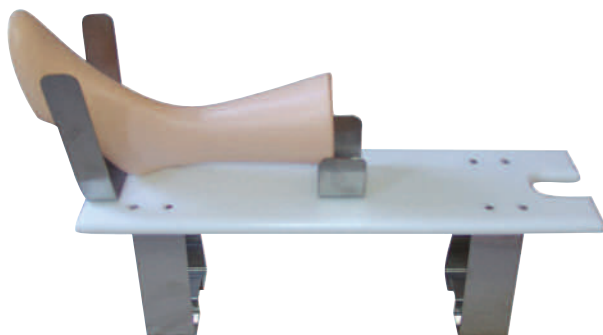
The leg lock can be cleaned and disinfected with any of Mopec's disinfectants. Just wipe clean or use with running water.

Dimensions:

11"L (27.9 cm) x 6"W (15.2 cm) x 15"H (38.1 cm)

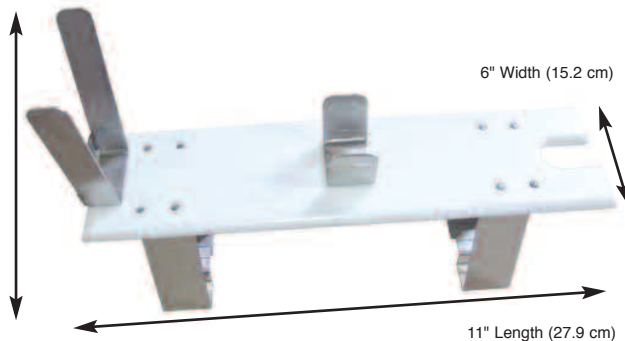


Amputation Dissecting Board secures leg specimens

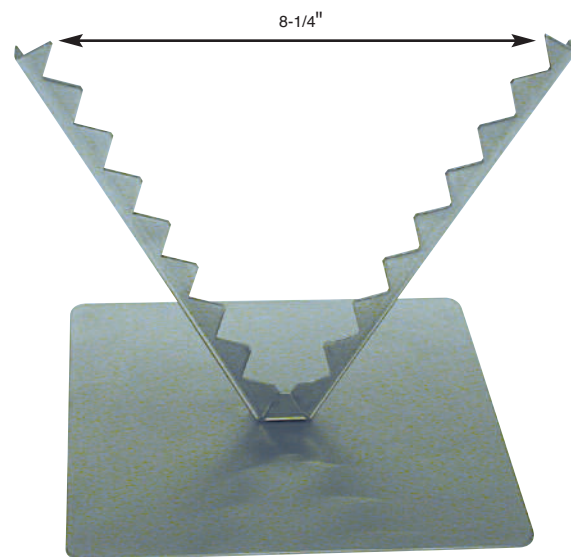


Amputation Dissecting Board secures ankle and foot

15" Height (38.1 cm)



Product No. BC017



Limb Lock

Exclusively offered by Mopec, this simple self-adjusting design provides a safe and steady method to secure all limb specimens during any surgical or autopsy pathology dissection.

Made entirely of heavy gauge stainless steel. The Limb Lock's unique notched "V" shape vise offers all the benefits of a second set of hands, without the unnecessary employee safety concerns such as exposure to sharps, bone saws or aerosolized hazards.

Multiple units can be utilized simultaneously for larger amputation specimens and the unit can be easily cleaned with all standard hospital and Mopec disinfectants.

Product No. BC012



Helpful Hint:
When handling very sharp objects, use Mopec's Stainless Steel Glove to protect you and your employees from harmful wounds. Individual interlocking stainless steel rings provide a remarkable sense of touch while protecting the hand from cuts. See page 103 BE Series in Autopsy Accessories.

1

2

3

4

5

6

7

8

9

10

11

AccuBoard™ Crossing Board System

1

2

3

4

5

6

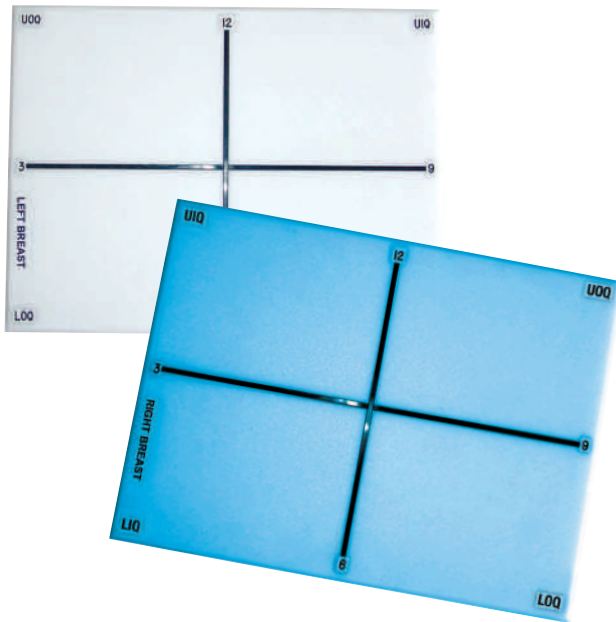
7

8

9

10

11



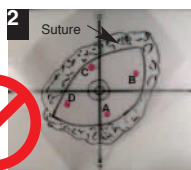
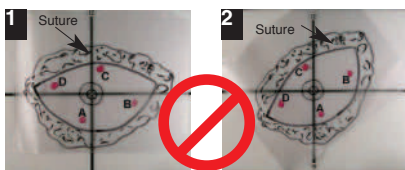
AccuBoard™ is a valuable new tool for pathology laboratories in the high stakes battle against breast cancer. Developed by David Pinkhasov PA, PhD, AccuBoard™ standardizes the orientation of mastectomy specimens in the lab, ensuring consistent, repeatable views.

Using one of the color-coded, left- or right-breast AccuBoard™ grossing boards, pathologists simply identify each breast quadrant by orienting each specimen on the clearly-marked AccuBoard based on the board markings and the orienting sutures placed by the surgeon on the specimen.

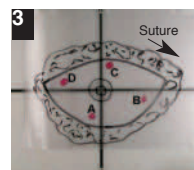
Increased awareness about breast cancer screening has resulted in the identification of tumors in patients at earlier, smaller stages than ever before. Localization of such small but malignant lesions may be extremely difficult on gross examination alone, unless the breast surgeon is able to orient the specimen in a consistent way based on identified quadrants.

AccuBoard™ virtually eliminates the confusion that can result from changes in quadrant orientation of deep margin specimens, guarantees easy localization and eliminates the mess and variability inherent in disposable cutting and mounting surfaces.

Inconsistent orientation may lead to mis-diagnosis.



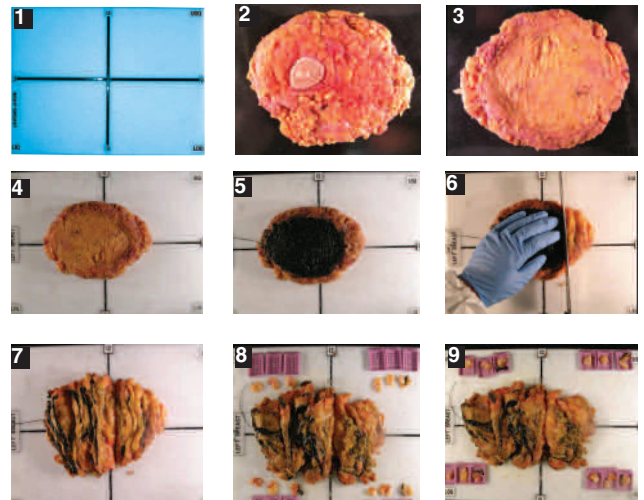
More consistent orientation.



Notice the shift in location of the tumor (using a single orienting suture on boards 1 and 2), when the same specimen is oriented two different ways. Applying two orienting sutures (board 3), ensures accurate and reproducible localization of the tumor.

Mopec's AccuBoard™ is a Two-pronged Approach to Ensure Accurate and Reproducible Localization of Breast Tissue Tumors

1. We recommend that the surgeon uses two orienting sutures marking the 12 o'clock and 9 o'clock margins for right breast and 12 o'clock and 3 o'clock margins for left breast. Since both clinical and radiologic evaluations refer to the location of tumor in terms of o'clock positions, the approach of marking the o'clock positions on the specimen will help pathologists localize the tumor accurately.
2. We propose using our AccuBoard™ for grossing mastectomy specimens, following the simple instructions



AccuBoard User's Guide

1. Select either the left (white) - or right (blue) -breast AccuBoard™
2. Place specimen on appropriate color coded AccuBoard
3. After measuring the specimen, place the specimen with skin facing down and deep margin facing up.
4. Orient the specimen to match the 12 and 3 or 9 o'clock positions as marked by the surgeon.
5. Gently slide the specimen so that the nipple overlies the center of the board where two cross-lines intersect.
6. Ink deep margin before cutting 2-3 mm thin slices.
7. Palpate each of the thin slices with clean gloves for possible lesion, paying special attention to the clinical and radiological location of the tumor.
8. Submit sections from each quadrant as necessary. The sections can temporarily be placed on the AccuBoard™ in corresponding quadrants before choosing the specimen(s) for submission.
9. A paper clip can be applied to the specimens before storing them to replace any orienting sutures that may detach during dissection.

Product No. BC056

(Left) White Board

Product No. BC057

(Right) Blue Board

Product No. BC058

Set - White and Blue Board

Dissecting Tables

Stainless Steel Dissecting Table with Fixed Legs



The table top is tapered toward the middle drain for fast and easy drainage. A drain hose is connected to a fitting on the underside of the tray for control of fluid. The sturdy 12" (30.4 cm) legs can be set on any counter or autopsy table and accommodates large or small standard dissection boards.

Tray Dims: 25" L x 18" W x 1" D (63.5 cm x 45.7 cm x 2.5 cm)
Overall Height: 12" (30.5 cm)

Product No. BC006

Stainless Steel Dissecting Table with Collapsible Legs



BC026 Collapsible Table, shown upright (Shown with Dissecting Board BC031)

BC026 with legs collapsed for space saving storage and portability



The work surface is tapered toward the middle drain for fast and easy drainage. A drain hose can be connected to a fitting on the underside of the tray for control of fluid. The sturdy 12" (30.5 cm) legs can be set on any counter or autopsy table. Table can accommodate large or small standard dissection boards.

Tray Dimension: 25" L x 18" W x 1" D
(63.5 cm x 45.7 cm x 2.5 cm)
Height of legs: 12" (30.5 cm)

Product No. BC026

Stainless Steel Dissecting Table with Shelf



Neoprene Cork Board pulls out

Stainless Steel Dissecting Table with shelf accommodates Mopec's standard polyethylene or neoprene boards that can easily be lifted or pulled out. Optional dissecting boards can be pulled out partially or completely. The table top is tapered toward the middle to a drainage hole located under the polyethylene board that allows fluids to flow freely through the three feet of hose (included). A drain hose is connected to a fitting on the underside of the tray for control of fluid. Sturdy legs allow this table to be set on any counter or autopsy table. The BC125 is completely washable with any Mopec disinfectant.

Dimensions: 24-1/2" L x 17" W x 15" H
(62.2 cm x 43.1 cm x 38.1 cm)

Product No. BC125

Neoprene Cork Board

23" W x 16" L x 1" Thick
(58.4 cm x 40.6 cm x 2.5 cm)
Product No. BC004

Polyethylene Dissecting Boards

Blue - 23" W x 16" L x 1" Thick
(58.4 cm x 40.6 cm x 2.5 cm)
Product No. BC031

Dark Blue - 23" W x 16" L x 1" Thick
(58.4 cm x 40.6 cm x 2.5 cm)
Product No. BC064

1

2

3

4

5

6

7

8

9

10

11

Polyethylene Dissecting Boards

1

2

3

4

5

6

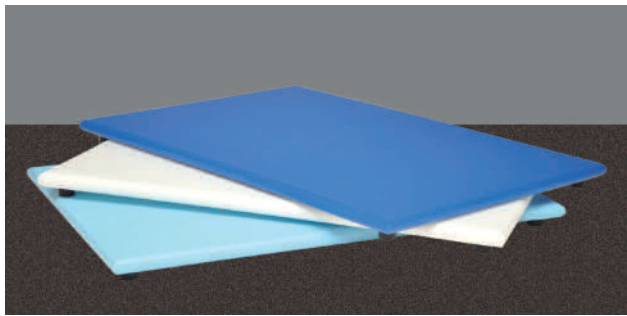
7

8

9

10

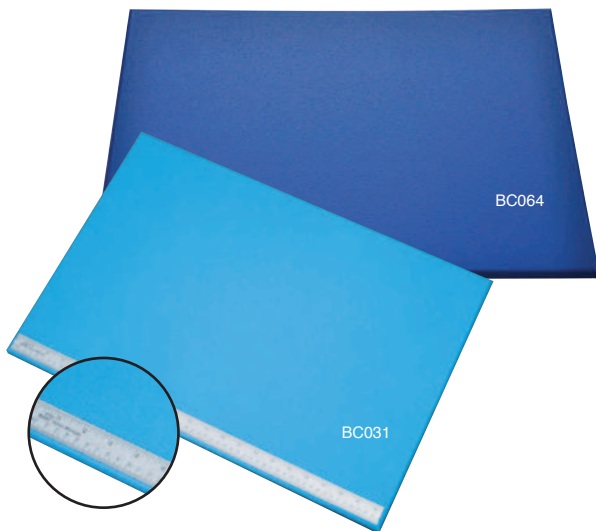
11



Mopec's unique photo blue dissecting board provides an excellent photography background

Polyethylene Dissecting Boards

Don't Be Fooled by Imitators!



Manufactured of durable 3/4" (1.9 cm) thick, easy-to-clean polyethylene with rounded edges and non-skid rubber bumpers (non-skid leg tips shown above on Model BC003). Opaque white surface provides excellent background for cutting surgical or autopsy tissue. Mopec's unique photo blue dissecting board provides an excellent photography background. Boards have a textured matte finish.

Description	Product No.		
	White	Blue	Dark Blue
23" W x 16" L x 3/4" Thick (58.4 cm x 40.6 cm x 1.9 cm)	BC001	BC031	BC064
16" W x 12" L x 3/4" Thick (40.6 cm x 30.5 cm x 1.9 cm)	BC002	BC032	BC065
11" W x 12" L x 3/4" Thick w/ 3" legs (28 cm x 30.5 cm x 2 cm)	BC061	BC062	BC063
Ruler for Dissecting Boards (Cut to fit, with adhesive back)		BC029	



Dissecting Boards with Legs

Elevate your dissecting board. Mopec offers legs on both our polyethylene and neoprene cork dissecting boards. Legs screw into board with a variety of leg lengths available.

Description	Product No.		
	White	Blue	Dark Blue
11" W x 12" L x 3/4" Thick w/ 3" Legs (28 cm x 30.5 cm x 2 cm)	BC003	BC059	BC066
23" W x 16" L x 3/4" Thick (58.4 cm x 40.6 cm x 1.9 cm) BC001 with 3" (7.6 cm) Legs	BC021	BC034	BC067
16" W 12" L x 3/4" Thick (40.6 cm x 30.5 cm x 1.9 cm) BC002 with 3" (7.6 cm) Legs	BC022	BC035	BC068
23" W x 16" L x 3/4" Thick (58.4 cm x 40.6 cm x 1.9 cm) BC001 with 12" (30.4 cm) Legs	BC050	BC060	BC069

Custom Dissecting Boards



*Oversized...
Undersized...
Custom Sizes are No Problem! Let Mopec Custom Make Your Next Dissecting Board for Your Lab*

Mopec can meet all your dissecting board needs with our large selection of standard and custom size boards. Custom sizes can be made to fit the entire work surface of your table or workstation. Mopec's custom dissecting boards are available in white, blue and dark blue, the choice is yours. All of Mopec's polyethylene boards have a textured matte finish, not available with other manufacturers. Let Mopec custom make your next dissecting board. Please contact a Mopec Representative for pricing.

Dissecting Boards and Trays

Neoprene Cork Dissecting Boards

Designed for pinning tissue, these dissecting boards consist of a 1/4" layer of neoprene cork permanently cemented to a 3/4" marine plywood base. Neoprene cork provides a very durable cutting surface resistant to absorption while permitting thorough rinsing.



Description

23" W x 16" L x 1" Thick
(58.4 cm x 40.6 cm x 2.5 cm)
16" W x 12" L x 1" Thick
(40.6 cm x 30.5 cm x 2.5 cm)

Product No.

BC004
BC005

Neoprene Cork Boards with Legs

See Legs On Page 86

Description

BC004 with 3" (7.6 cm) legs
BC005 with 3" (7.6 cm) legs

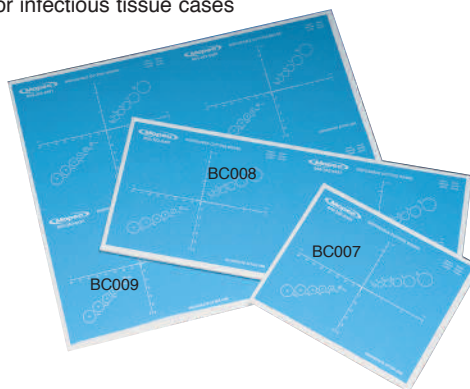
Product No.

BC023
BC024

Disposable Cutting Boards

When contamination control is important

- Foam inner liner for pinning tissue
- Standard and metric scale on cutting surface
- Reference areas for assessing specimen size
- Ideal for specimen photography
- Excellent for teaching institutions
- Ideal for infectious tissue cases



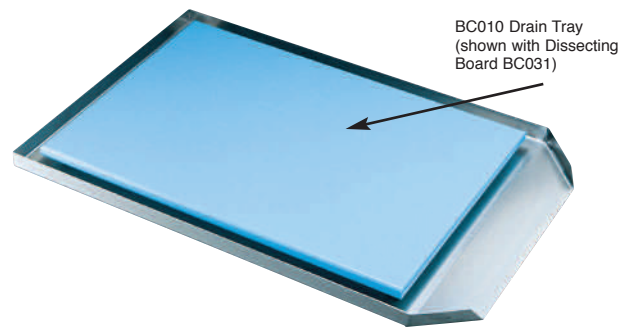
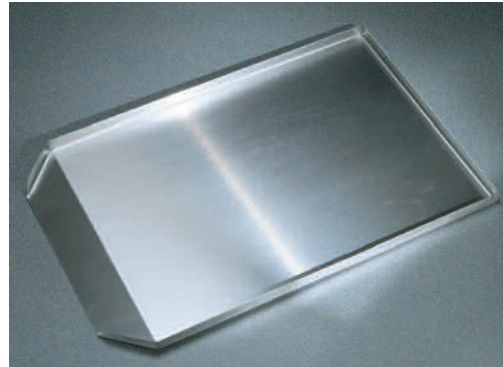
Description

Small, 48 per Package
7-1/2" x 6-1/4" (20.9 cm x 15.8 cm)
Medium, 24 per Package
15-3/8" x 6-1/4" (39.0 cm x 15.8 cm)
Large, 12 per Package
15-3/8" x 13-1/8" (39.0 cm x 33.3 cm)

Product No.

BC007
BC008
BC009

Stainless Steel Dissecting Drain Tray

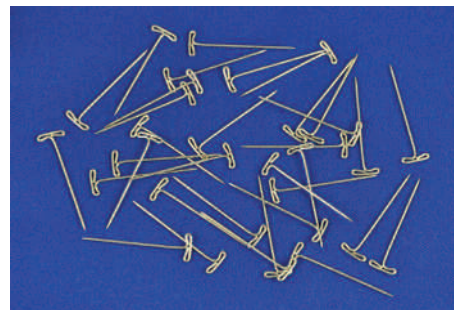


BC010 Drain Tray
(shown with Dissecting Board BC031)

A multi-purpose unit, this stainless steel tray can be used to confine spills or contamination to a restricted area. All of Mopec's standard dissecting boards will fit into the one inch deep tray. The sloped end overhangs any sink, allowing all fluids to drain directly into the sink. Dimensions: 25" L x 18" W x 1" D (71.1 cm x 45.7 cm x 2.5 cm)

Product No. BC010

Dissecting Specimen T-Pins



Actual size



Securely holds specimen with T-pins. Large quantity package of 100 pins. Size: 1-1/4" (3.81 cm) 0.75 mm steel shaft, nickel plated for extra strength and corrosion resistance.

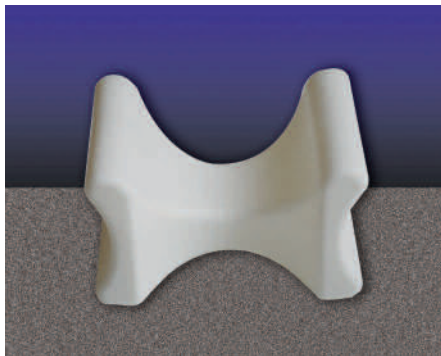
Product No. AD010



Headrests and Body Support Shim

1

2



Plastic Headrest

- Made of white Teflon-like stain resistant material that cleans easily, not autoclavable
- Provides six different positions for elevating head or limbs
- Hollow
- Dimensions: 7-1/4" L x 5" W

Product No. BA026

3

4

5

6

7



Disposable Headrest

- White, styrofoam (6 Per package)
- Dimensions: 6-1/4" L x 4-7/8" W x 4-1/4" H

Product No. BA601

8

9

10

11



Rubber Headrest

All the basic features of a standard headrest plus the advantages of extra positioning adjustments, deeper curvatures and lighter weight. Molded in resilient impervious rubber, solid. Not autoclavable. Dimensions: 6" L x 4-1/2" W.

Product No. BA025



Body Support Shim

The BA029 Body Support Shim is a unique shaped post-mortuary support tool designed to help isolate, shift, and/or secure a body during autopsy or embalming procedures. For use under legs, buttocks, back, and arms; you will never have to lift the body again. Just roll one side of body, and wedge. Use the BA029 to promote embalming circulation, or when you need an extra hand. The support easily grips any table work surface and is chemically resistant to solvents and cleaners for easy cleanup. Body Support Shim measures 11 3/4" in length and is 5 1/2" tall.

Product No. BA029

Curved Headrest

The BA078 Curved Stainless Steel Headrest is designed to isolate the neck, for a more natural positioning of the cranium during post-mortuary procedures. The broad convex curve of the BA078 fits within the arch of the neck, allowing the cadaver head to tilt up and rest upon work surface. This configuration allows easy access to the neck and ears without interference from other concave/U style head rests. Unit also equipped with 4 non-slip foot pads for stability.



Product No. BA078

Body Slats, Head Drape

Secure-Rest

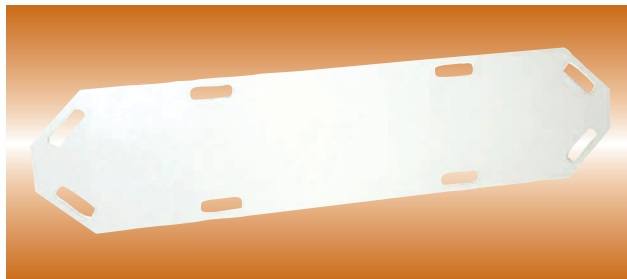


The BA079 securely holds head in place

The BA079 Secure-Rest is a headrest designed for the secure positioning of a cadaver head during post-mortuary procedures. The BA079 is designed with a raised stainless steel landing and removable nylon strap with buckle. Position the rest, so that strap can easily circumvent the temporal region of cadaver and tighten to fix head in place for subsequent procedures. Unit also equipped with 4 non-slip foot pads for stability.

Product No. BA079

Slide Body Transfer Board



- Perimeter handles offer a safe alternative to moving cadavers from cooler to mortuary table
- Ideal for transferring cadavers between multi-level work surfaces
- Easy to store
- Provides secure handling before and after autopsy procedures
- Wash with any standard Mopec disinfectant
- Dimensions: 72" L x 17" W x 1/4" D (182.8 cm x 43.1 cm x 63 cm)

Product No. FD010

Autopsy Head Drape



A Mopec Exclusive. Minimize infection and contamination exposure during autopsy by containing particulate matter. Made of polyethylene, 0.0012 mil thick. Not autoclavable.

- Easily assembled and disassembled
- Adjusts easily over torso or head, just cut side slots to allow for easy access during autopsy

Autopsy Head Drape (Frame, includes 4 head-drapes) tube length 4 ft. long

Product No. BE010

Autopsy Head Drape only (10 per Package)

Product No. BE011

Support/Elevating Body Slats



Set of four body slats elevate the body on a table during the autopsy or mortuary preparation. While elevated, waste drains without obstruction. Suggested placement of slats are head, shoulders, buttocks and heels. Made of a chemically resistant white polyethylene, each measuring 3" wide (7.6 cm) and 22-5/8" long (57.5 cm). Can be cleaned using water and one of Mopec's specially formulated cleaners.

Set of Four - Product No. BC011

1
2
3
4
5
6
7
8
9
10
11

Body Bags

- 1
- 2
- 3
- 4
- 5
- 6
- 7
- 8
- 9
- 10
- 11



All Body Bags are OSHA Compliant

Lightweight Center Zipper Style

Material	8 mil Virgin Plastic
Size	36" x 93" (91.4 cm x 236.2 cm)
Girth	60" (152.4 cm)
Thread	Nylon
Zipper	Heavy Duty #10
Weight	1 lb. 10 oz. (.7 kg)
Capacity	Maximum 200 lbs. (91 kg/14.2 stone)
Handles	No
Product No.	BE001

Heavy-Duty with Handles Envelope Zipper Style

Material	PVC
Size	34" x 93" (86.3 cm x 236.2 cm)
Girth	60" (152.4 cm)
Thread	#69 Nylon
Zipper	#5 Nylon, 140" (355 cm) with Two Tabs Can be Opened at Any Point
Weight	6 lbs. (2.7 kg)
Capacity	Maximum 300 lbs. (136 kg/21.4 stone)
Handles	Six 2" (5.1 cm) Nylon Webbing Runs Under Bag
Product No.	BE003

Heavy-Duty with Handles Center Zipper Style

Material	PVC
Size	36" x 93" (91.4 cm x 236.2 cm)
Girth	60" (152.4 cm)
Thread	#69 Nylon
Zipper	#5 Nylon, 88" (223.5 cm)
Weight	6 lbs. (.8 kg)
Capacity	Maximum 300 lbs. (136 kg/21.4 stone)
Handles	Six 2" (5.1 cm) Nylon Webbing Runs Under Bag
Product No.	BE002

Lightweight Envelope Zipper Style

Material	8 mil Virgin Plastic
Size	36" x 93" (91.4 cm x 236.2 cm)
Girth	60" (152.4 cm)
Thread	Nylon
Zipper	Heavy Duty #10 with Two Tabs
Weight	1 lb. 10 oz. (.7 kg)
Capacity	Maximum 200 lbs. (91 kg/14.2 stone)
Handles	None
Product No.	BE004

Ten year shelf life on body bags

Body Bags



BE032
Lightweight Youth -
preemie, one pull

BE030
Lightweight Youth -
juvenile, one pull

Lightweight Youth

Juvenile, 48" x 28" (122 cm x 71 cm) PVC
Maximum weight capacity 150 lbs. (68 kg/10.7 stone) **BE030**

Infant, 30" x 18" (76 cm x 46 cm) PVC
Maximum weight capacity 100 lbs. (45.3 kg/7.1 stone) **BE031**

Preemie, 12" x 12" (30.5 cm x 30.5 cm) PVC
Maximum weight capacity 50 lbs. (22.6 kg/3.5 stone) **BE032**



BE031
Lightweight Youth -
infant, one pull

All Body Bags are OSHA Compliant



Water Recovery Bag

- Adult size 96" L x 36" W (244 cm x 91 cm)
- 76" Girth, 193 cm
- Maximum weight capacity: 350 lbs. (158.7 kg/25 stone)
- Large capacity with envelope style zipper
- Six ultra-strong and extra wide web handles for carrying convenience and handling comfort
- Manufactured from a highly visible poly mesh material which allows high underwater visibility while allowing fast drainage upon removal from water

Product No. **BE085**



Bariatric Body Bag

- Exclusive antimicrobial-treated and electronically heat-sealed "Bag-in-a-Bag" vinyl inner liner
- Complies with OSHA Regulation 3130 for universal precautions involving containment of body fluids
- Ten ultra-strong and extra wide web handles for carrying convenience and handling comfort
- Large capacity envelope style nylon zipper for ease of access and loading
- Solid brass reinforced grommets for added handle strength
- Tested to 450 lbs. (204.1 kg/32.1 stone) lifting capacity
- 72" Girth, 182.2 cm
- Adult size 96" L x 36" W (244 cm x 91 cm)

Envelope Style with Side Handles **BE081**

Ten year shelf life on body bags

1
2
3
4
5
6
7
8
9
10
11

Body Bags

All Body Bags are OSHA Compliant

1

2

3

4

5

6

7

8

9

10

11



Bariatric Heavy-Duty 99.9 % Chlorine Free Envelope Zipper

- Extra wide 100" x 48" (254 cm x 122 cm)
- Envelope style
- 10 extra strong handles
- Maximum weight capacity: 750 lbs. (340 kg/53.5 stone)
- Dual zipper pulls to facilitate opening and closing of bag
- Bag-in-a-bag for superior resistance to leakage during transport
- Heat sealed inner liner to comply with OSHA regulations
- Impervious to abrasion and stain resistant exterior material
- 99.9% chlorine-free, environmental EPA compliant

Product No. BE033



Bariatric Medium-Duty Envelope Zipper

- Extra wide 100" x 48" (254 cm x 122 cm)
- Heat sealed construction complies with OSHA regulations
- Two layers of 3 mil. polyethylene (equals 12 mil. vinyl strength)
- Maximum weight capacity: 250 lbs. (113 kg/17.8 stone)
- Environmental EPA compliant
- Adhesive tape backed reinforced zipper
- Dual zipper pulls to facilitate opening and closing of bag
- Envelope zipper

Product No. BE034



Economy Hospital Postmortem Bags

- 96" x 38" (244 cm x 97 cm)
- 72" Girth, 183 cm
- Maximum weight capacity: 300 lbs. (136 kg/21.4 stone)
- Vinyl impregnated with an antimicrobial agent and electronically sealed for secure containment of body fluids
- Rust-resistant full length nylon zipper
- Complies with OSHA 3130 Universal Precautions
- Each bag comes with one biohazard, one yellow contamination tag, plus a personal belongings polybag

Two pulls - Envelope Zip Style

BE082

One pull - Center Zip Style

BE083

Ten year shelf life on body bags/OSHA Compliant

Body Bags and Body Tags

All Body Bags are OSHA Compliant

Chlorine Free Medium Duty Envelope or Center Style Zipper Body Bag

Impervious, abrasion resistant and highly tear resistant co-extruded scrim supported polyethylene material highly resistant to zipper tear-out without use of reinforcement tape. Material complies with EPA burn restrictions involving the release of chlorine gas, thereby eliminating the disposal problems associated with vinyl materials. Eight mil thick. This material also remains flexible down to -70° F. (-57 ° celsius) so that it can be used in outdoor winter environments or morgue coolers without the fear of "cracking". Available in white. Adult size bag 36" x 94" (92 cm x 239 cm) includes No. 8 zipper. 300 lbs. (136 kg/21.4 stone) Static Lift tested. Heated sealed ends with "Unique No Side Seam" construction to comply with OSHA Reg. 3130.

Envelope Style Zipper Product No. BE064
Center Style Zipper Product No. BE065



Body View Heavy Duty Body Bag with See-Thru Panel

- Designed for today's "high-risk", bio-hazard exposures or infectious diseases
- Black uniquely clear interior vinyl panel allows viewing the remains contained in the bag with minimal exposure risk to personnel. Secured inner panel also allows for examination of remains while maintaining the "Chain of Custody" integrity using our serialized tamper resistant zipper pull seals
- All seams are 100% RF heat sealed to eliminate leakage. Complies with OSHA Reg. 3130 - Universal Precautions
- Envelope style heavy duty zipper with dual zipper pulls
- Exterior material is 18 mil HD abrasion resistant vinyl
- Eight (8) padded handles RF welded directly into and are integral to the bag material for comfortable handling during transport. This feature avoids webbing "tear-out" or failure during rough handling, while maintaining the fluid tight integrity of the bag
- Static lift tested to 750 lbs. (340 kg/53.5 stone) capacity. Easily lifted by helicopter or crane using standard webbing style sling
- Extra large 36" (91 cm) width x 94" (238 cm) long

Black - Product No. BE038
Orange - Product No. BE029



Ten year shelf life on body bags

Body Tags

Quick identification and information tags. Resealable, self adhesive pouch for paperwork. All tags come with end strings attached. Each unit contains

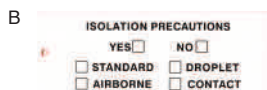
- Ⓐ 1 yellow contaminated tag
- Ⓑ 1 red bio-hazard tag and
- Ⓒ 3 yellow ID tags.



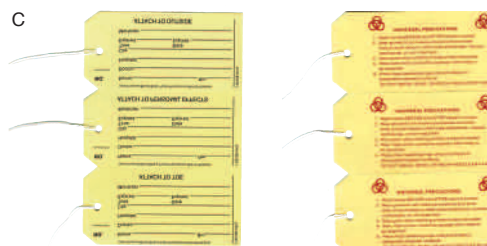
Front - Size is 2" L x 5 1/4" W



Front - Size is 2" L x 5 1/4" W



Backside of Bio Hazard tag



Front
 Back
 Each tag size is 2- 1/8" L x 4 1/4" W

Product No. BE088



Cadaver Covers

1

Mopec's Cadaver Covers allow for the discrete transport of a patient from the hospital room to the mortuary. After placing the body and the frame on the carrier, place cover over the frame. The rectangular shape of the cover conceals the body, giving the illusion of a standard gurney while hiding the cadaver. Cadaver covers are made of black out material or heavy duty vinyl which can be easily cleaned.

2

Replacement Cadaver Cover for JA600

Our standard cadaver cover. Color white and can be machine washed. 81" L x 31" W x 18" D.

Product No. JZ005

3

Heavy Duty Vinyl Cadaver Covers

Can be easily cleaned with a damp cloth. 81" L x 31" W x 18" D.

Color: White - **Product No. JZ006**

Color: Dark blue - **Product No. JZ007**

4

Cadaver Cover - Bariatric

Fits DC410 bariatric frame. Machine washable. 80-3/4" L x 40" W x 20" D

Color: White - **Product No JZ010**

5

6

Heavy Duty Vinyl Cadaver Covers

Can be easily cleaned with a damp cloth. For use with the GA110 frame. 81" L x 31" W x 21" D.

Color: Dark blue - **Product No JZ015**

Color: White - **Product No JZ016**

7

8

Mopec can also supply you with custom covers that will fit your particular cadaver carrier. Simply supply us with exact measurements and we will supply you with a quote.

9

10

11



Cover shown on frame (frame not included)



JA600 shown with JZ005 Cadaver Cover



Customized Cadaver Cover



Heavy Duty Cadaver Cover - blue (JZ007)

X-Ray Illuminators



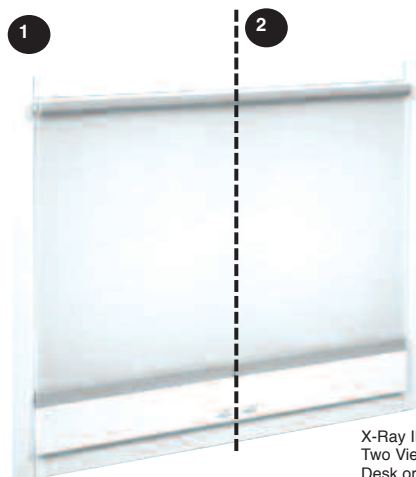
X-Ray Illuminator
one viewing area
Desk or surface Mount - BB115
Recessed Mounting - BB118

Deluxe X-Ray Illuminators

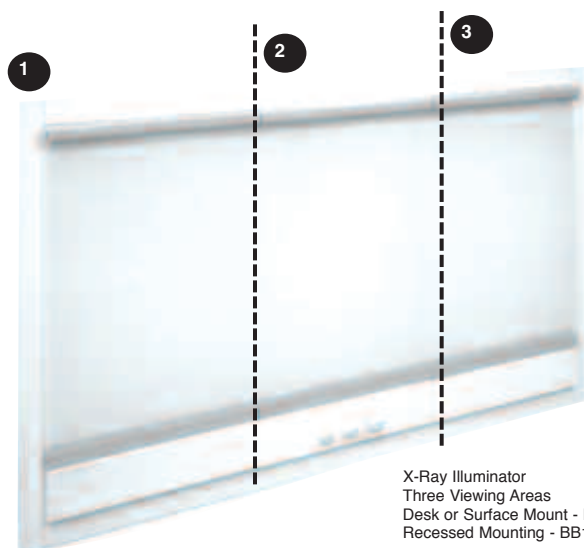
- Baked-on white enamel finish
- Thin compact design
- 3-Lamp light source. Viewers operate on 120Volt/60Hz/1Ph and are supplied with a three conductor, line cord. Special voltages are available, please provide voltage and a Mopec Representative will be able to assist you
- Low leakage trigger start ballast
- Surface and recessed models
- UL listed and CSA approved

The deluxe illuminators are only 3-3/8" (8.6 cm) deep and are ideal for installations that require minimum projection. The deluxe illuminators feature one piece construction for each tier with steel channel reinforcement of the rear section. The viewing area is lighted by three fluorescent tubes and is controlled by its own individual on/off rocker switch.

Each illuminator is supplied with a gravity grip file holder which extends the entire width of the viewer. A one-piece plexiglass viewing panel is also supplied for each tier. Illuminators can be ordered as a desk or surface mount (portable) or as a recessed mount (permanent).



X-Ray Illuminator
Two Viewing Areas
Desk or Surface Mount - BB116
Recessed Mounting - BB119



X-Ray Illuminator
Three Viewing Areas
Desk or Surface Mount - BB117
Recessed Mounting - BB120



Completed lab

Desk or Surface Mount, One Viewing Area
14" W x 21" H x 3-3/8" D
(35.6 cm x 53.3 cm x 8.6 cm) (not shown)

BB115

Recessed Mounting, One Viewing Area
14-3/4" W x 21-3/4" H x 3-3/8" D
(37.5 cm x 55.3 cm x 8.6 cm)

BB118

Desk or Surface Mount, Two Viewing Areas
28" W x 21" H x 3-3/8" D
(71.1 cm x 53.3 cm x 8.6 cm) (not shown)

BB116

Recessed Mounting, Two Viewing Areas
28-3/4" W x 21-3/4" H x 3-3/8" D
(73 cm x 55.3 cm x 8.6 cm)

BB119

Desk or Surface Mount, Three Viewing Areas
42" W x 21" H x 3-3/8" D
(106.7 cm x 53.3 cm x 8.6 cm) (not shown)

BB117

Recessed Mounting, Three Viewing Areas
42-3/4" W x 21-3/4" H x 3-3/8" D
(108.6 cm x 55.3 cm x 8.6 cm)

BB120

1

2

3

4

5

6

7

8

9

10

11

Laboratory Dissecting Lights

1

Now Focusable with Enhanced Illumination

Mopec's dissecting lights offer maximum illumination, true tissue color rendition, dimming controls and a defined field of light. In addition, you may choose from a wide variety of mounting systems, such as:

- Floor stand
- Ceiling Mount
- Wall Mount
- Track Mount

2

3

4

5

6

7

8

9

10

11



Portable Dissecting Light
BB108

Portable Dissecting Light

The BB108 model has a single lighthhead mounted on a floor stand with casters. The 26" (66 cm) extension arm rotates 60° around the mounting post. Yoke rotates 180° around the arm and the lighthhead 180° within the yoke. The top of the post is 5'-1" (155 cm) high. The lighthhead can be raised to 6' (183 cm) and lowered to 3'-1" (94 cm).

Product No. BB108

Outfit Your Lab with Lights from Mopec!



Laboratory Dissecting Lights

Standard Features:

- 2000 Footcandles at 24" (61 cm)
- Color temperature of 3600° K
- Three 50 watt quartz halogen bulbs wired in parallel to assure continuous illumination; 2000 hour bulb life
- Blue filters and dichroic coatings keep beam cool
- Prefocused spot, spot size of 13" (33 cm) diameter
- Drift-free, self-balancing arm; shadow-free design
- Option for drop tube lengths for ceiling mount - choice of 30" or 42"
- Includes Steri-Handle™ and disposable light cover sample
- 120Volt.60Hz/1Ph standard
- UL Listed, CSA certified

*Mopec's Most Recommended
Dissection Light!*

Single Lighthouse, Track Mounted Light



- Vertical adjustment of 48" (122 cm) with 360° lighthouse rotation
- Available with one lighthouse on a single track or with two lighthouses (not shown) one on each end of the track
- Carriage travel within the track is 48" (122 cm)
- Vertical centerline of the lighthouse is approximately 38" (96.5 cm) from the vertical centerline of the suspension tube when the two arm sections are fully extended horizontally. This provides a nominal 26" (66 cm) extension beyond the side edge of the typical autopsy table
- Optional intensity control is available for both models

Single Lighthouse Track Light - Product No. BB112

Dual Lighthouse Track Light - Product No. BB113

Single Lighthouse, Ceiling or Wall-Mounted Dissection Light



Lightweight – inexpensive lighting. Single lighthouse mounted on the ceiling suspension or wall bracket. The ceiling mount has 360° continuous rotation around the suspension tube. The wall mount moves parallel with the surface it's mounted on.

Ceiling-Mounted Light -Product No. BB110

Wall-Mounted Light Product No. BB111

Wall Mounting Bracket



Dual Lighthouse, Ceiling-Mounted Dissection Light



The BB109 model has two lighthouses mounted on a single ceiling suspension. The lighthouses can be rotated 250° about the suspension tube and has a 19" (48 cm) vertical travel range upward from horizontal.

Further rotation can be achieved through the second arm and yoke. The lighthouse itself rotates 180° on its own axis. The vertical center of the lighthouse is approximately 53" (134 cm) from the suspension tube when the two arms and yoke are fully extended. Maximum lighting using minimum space.

Product No. BB109

1

2

3

4

5

6

7

8

9

10

11

Digital Scales

Digital Wash Down Bench Scale



The BB027 is constructed of a stainless steel base with ABS indicator. Quick display of results using large LCD with high contrast white backlight. Temporary display of 10x readability in weighing mode using quick key press. The BB027 is easy to operate with a four key membrane keypad with raised tactile keys. An optional NiMH internal rechargeable power pack is available. Base and indicator connected using quick connect plug.

- 120V/60Hz/1Ph
- 12" W x 3.7" H1 x 23.2" H2 x 12" D1 x 16.7" D2
- Weighs in one or more units: kg, g, lb, oz, lb:oz (decimal), metric tones and user-definable custom unit
- 10,000 - 12,500d default resolution
- NTEP 1:5,000 certified resolution
- Includes RS232 interface with GMP/GLP data output including date and time

Product No. BB027

Optional 230V Power Cord Product No. BB041

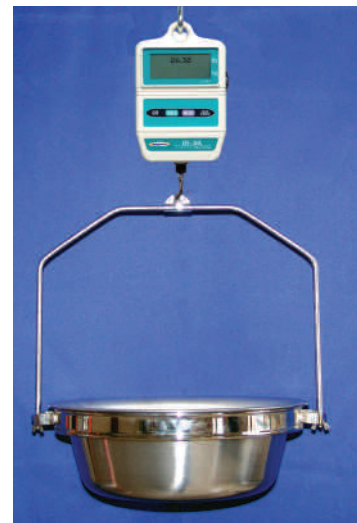
Intelligent Autopsy Hanging Scale

The BB014 features a large display, auto zero tracking, automatic power save and hold function. The BB014 can be read in less than ideal conditions and ensures that you always start weighing at zero. The last displayed weight remains after the load is removed from the scale. Battery-operated (uses 4 "C" batteries, not included) and allows for 250 hours of non-stop operation. When not in use, it conserves battery power. Sold with stainless steel weigh pan with three drain holes. Holds up to 66 lbs or 30 kg/4.7 stone.

Dimensions

4.72" W x 7-1/4" H x 2-1/4" D (11.9 x 18.4 x 5.7 cm)

Product No. BB014



BB014 Shown with weigh pan BB009

Scale and Scale Stand



Hanging Autopsy Scale 9 kg x 10g

- Two 13" (33 cm) diameter glass-covered dials provide clockwise and counterclockwise readings
- Machined stainless steel pinion and phosphor bronze rack combination assures low friction performance at elevated temperatures
- No pointer oscillation
- Capacity is reached in three pointer revolutions. Runners are indexed for each revolution
- Zero adjustment screw may be used to zero out additional tares up to 10% of dial reading
- Includes a deep stainless steel pan with three perforated 1/4" holes in bottom as shown. Reorder product number BB007

Product No. BB002 Autopsy Scale

Product No. BB037 Pan, Bow and Ring Assembly

Product No. BB007 Additional Pan Perforated

Product No. BB009 Additional Pan Solid

Wall Bracket: Product No. BB038



Portable Postmortem Stainless Steel Scale Stand

The portable stand brings the scale to a convenient location and helps reduce reaching and lifting of postmortem organs. The offset center post and weighted base reduces the possibility of the scale tipping over.

The compact and stable platform stand is completely fabricated of stainless steel for easy cleaning and durability. Four easy rolling, swivel and locking casters provide complete mobility. For use with BB002 and BB014 scales.



Base is stainless steel



Heavy-duty locking casters



BB035 Portable Scale Stand with weighted base
(Scale sold separately)

Dimensions: 24" L x 24" W x 78.8" H
(60.9 cm x 60.9 cm x 200.1 cm)

Product No. BB035 Portable Scale Stand, weighted base

- 1
- 2
- 3
- 4
- 5
- 6
- 7
- 8
- 9
- 10
- 11

Specimen Scale and Compact Scales

1

Compact Electronic Balance Scale

Simple and easy to operate, this rugged laboratory scale is designed with a high impact plastic housing and a large detachable plastic (or optional stainless steel) weighing surface.

With full digital calibration and accuracy over a wide temperature range. This scale is battery operated. Optional AC Adapter available. Weighs approximately. 1.1 lb. (455 grams). One year warranty.

Capacity:	2000 g
Display:	LCD .31" H (8 mm)
Readability:	1 g
Linearity:	+/- 2 g
Weighing Modes:	grams, oz, lb, kg
Tare:	To capacity
Calibration:	Full digital calibration with front key
Auto Off:	5 min. (Separate re-zero function)
Pan Size:	5.35" W x 5.35" D (136 mm x 136 mm)
Power:	6 AA Batteries (not included) or AC Adapter (optional)
Dims:	(5.51" W x 7.79" D x 1.75" H)(140 mm x 198 mm x 44.5 mm)



2

3

4

5

Product No. BB026

Product No. BB036 115V Adapter

Product No. BB040 230V Adapter

Product No. BB024 Heavy Duty Plastic Bowl

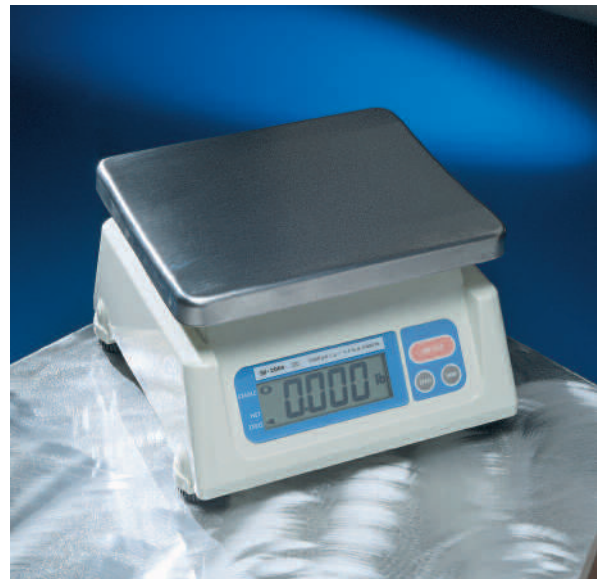
6

7

Compact Digital Scale

This rugged, splash proof digital scale is designed for rough laboratory use. Balance weighs in grams or ounces. Large 1" LCD display for easy accurate reading. Large removable stainless steel or plastic weighing surface. Battery operated for portable use with low battery indicator, requires six D Batteries (not included) or optional AC Adapter. Weighs approximately. 3.53 lbs. (1.6 kg).

Capacity:	2000 g
Display:	7 Segment LCD, 1" H (25 mm)
Readability:	1.0 g or .0021 lbs.
Linearity:	+/- 2 g
Weighing Modes:	grams, oz, kg, lb
Tare:	To Capacity
Calibration:	Factory Set (Re-Zero Function)
Auto Off:	5 min. Battery Only
Pan Size:	9.05" W x 7.48" D (230 mm x 190 mm)
Dims:	9.6" W x 9.13" D x 5.3" H (244 mm x 232 mm x 137 mm)
Warranty:	12 Months



8

9

10

11

Product No. BB033

Product No. BB036 115V Adapter

Product No. BB040 230V Adapter

Product No. BB024 Heavy Duty Plastic Bowl

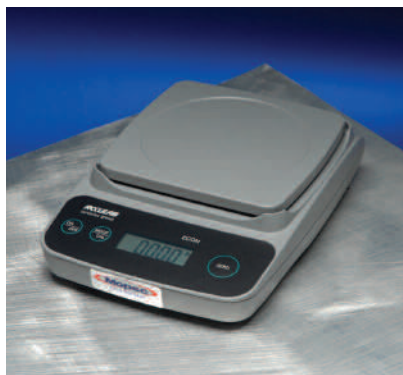
ACCULAB Scales



Pocket Pro® PP401

This balance is the ultimate in portability and the perfect choice for sample-prep. Featuring a back-lit display. Simple operation and a unique pan design protects the scale during transportation and storage. See chart below for product specifications.

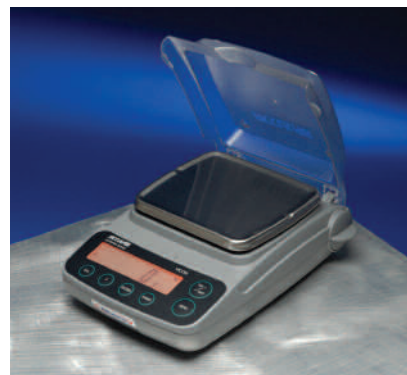
Product No. BB020



Electronic EC-2100

Designed to handle rough laboratory use. Balance weighs in grams or ounces. The handy hold button allows reading to remain on display after removing specimen. Large plastic platform and angled LCD are easy to use and read. Scale is battery operated and offers full calibration and accuracy over a wide weight range. See chart below for product specifications.

Product No. BB021



VIC-4kg

Large sturdy stainless steel platform, bright angled LCD, keypad calibration, tare and memory functions. AC or battery operation (AC adapter included). See chart below for product specifications.

115V - Product No. BB022

220V - Product No. BB023

Acculab Scales	PP401 Product No. BB020	EC-2100 Product No. BB021	VIC-4kg Product No. BB022
Capacity:	400 g	2100 g	4100 g
Readability:	0.1 g	1 g	1 g
Linearity:	+/-2d	± 2d	+/-1d
Weighting Modes:	grams, ounces	grams, ounces, pounds	grams, ounces, pounds
Calibration:	Auto calibration	Auto calibration	Auto calibration
Tare:	To capacity	To capacity	To capacity
Auto Off:	Yes	Yes	Yes
Platform Size:	2.76" x 2.95" (7.0 cm x 7.4 cm) Plastic	5.3" x 5.5" (13.4 cm x 13.9 cm)	5.5" x 5" (13.97 cm x 12.7 cm) Stainless steel
Power:	AA	9V AC Adapter (included)*	9V Alkaline, 9V Nicad
Dimensions:	2.95" x 4.33" x .8" (7.4 cm x 10.9 cm x 2.0 cm)	8.6" x 6.26" x 2.07" 21.5 cm x 15.2 cm x 5.0 cm	6.8" x 3.1" x 9.8" (17.2 cm x 8.0 cm x 24.8 cm)
Weight:	.58 lb.	1.5 lbs.	2.9 lbs.
Warranty:	12 Months	12 Months	12 Months

Optional Bowl (Not shown BB024): Heavy-Duty Round Plastic Bowl allows for easy clean-up. Holds 35 ounces/1050 ml

- 1
- 2
- 3
- 4
- 5
- 6
- 7
- 8
- 9
- 10
- 11

ACCULAB Scales

1

2

3

4

5

6

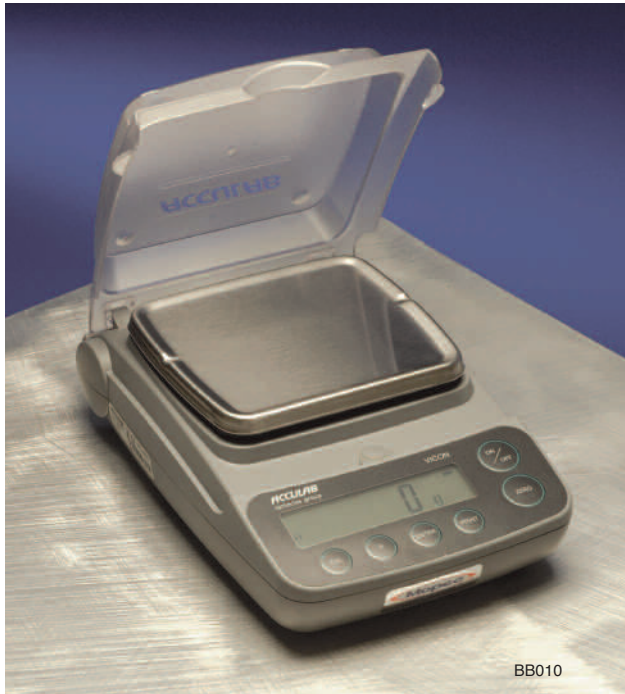
7

8

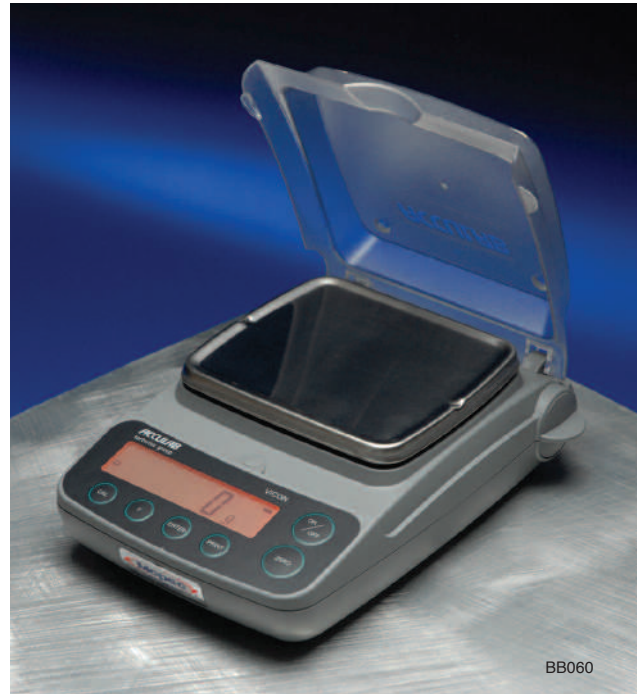
9

10

11



BB010



BB060

Portable Scales

The VIC Series portable top-loader features auto calibration, tare, four weighing modes, audio function tone, large stainless platform with a built-in lock down bracket, large LCD display, spill rings and easy to use "up front" controls. Units operate on AC adapter (included) or 9V battery (not included). One year warranty included.

VIC-10 kg **Product No. BB010**

VIC-6 kg **Product No. BB060**

Portable Scale	VIC-10 kg Product No. BB010	VIC-6 kg Product No. BB060
Capacity:	10,100 g/352.7 oz	6100 g/211.6 oz.
Weighting Modes:	grams, ounces and pounds	grams, ounces and pounds
Calibration:	Auto calibration from keypad	Auto calibration from keypad
Tare Range:	To capacity by subtraction	To capacity by subtraction
Overload Indication:	OL on LCD	OL on LCD
Underload Indication:	UL on LCD	UL on LCD
Auto Off:	2, 5 and 10 min.	2, 5 and 10 min.
Readability	1 g	1 g
Linearity	+/- 2d	+/- 2d
Dimensions: 6.8" x 3.1" x 9.8" (17.2 cm x 8.0 cm x 24.8 cm)		
Platform Size: 5.5" x 5" (13.9 cm x 12.7 cm)		

Gloves and Glove Holders



Acrylic Glove Dispensers

Clear, lightweight, durable acrylic dispenser keeps workspaces neat. Wipes clean. Slotted so that they can be mounted on a wall if necessary.

Description

Quad, 21" H x 4-1/4" W x 11-1/2" L
(53.3 cm x 10.8 cm x 29.2)

Double, 10" H x 4-1/4" W x 11-1/2" L
(25.4 cm x 10.8 cm x 29.2)

Triple, 16" H x 4-1/4" W x 11-1/4" L
(40.6 cm x 10.8 cm x 28.5)

Single Horizontal, 6" H x 4-1/2" W x 11-1/2" L
(15.2 cm x 11.4 cm x 29.2)

Triple Narrow, 30" H x 5-1/2" W x 4" L
(76.2 cm x 13.9 cm x 10.1)

Single Vertical, 10" H x 5-1/2" W x 4-1/4" L
(25.4 cm x 13.9 cm x 10.8)

Double Narrow, 20" H x 5-1/2" W x 4-1/4" L
(50.8 cm x 13.9 cm x 10.8)

Product No.

BA070

BA071

BA072

BA073

BA074

BA075

BA076



Gloves not included

Stainless Steel Glove Dispenser

Mounts vertically. Holds one (1) box vertically, or two (2) boxes horizontally.

Product No.

BA027



Stainless Steel Glove

Individual interlocking stainless steel rings provide a remarkable sense of touch while protecting the hand from cuts. Designed to be worn between two latex gloves, the stainless steel glove provides protection from infection. The Velcro® wristband holds the glove comfortably in place. Universal glove - fits left or right hand except for XL, order left or right hand. UL Listed.

Size

X-small 6" – 6-1/2"

Small 7" – 7-1/2"

Medium 8" – 8-1/2"

Large 9" – 9-1/2"

X-large 10" – 10-1/2" Right

X-large 10" – 10-1/2" Left

Product No.

BE050

BE052

BE054

BE056

BE058

BE059



Floor Scale

1

2

3

4

5

6

7

8

9

10

11



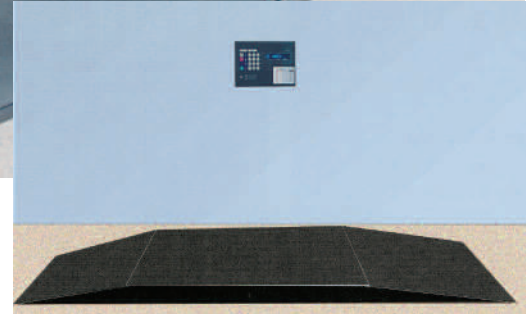
BB150 Shown with optional smooth stainless steel

Floor Scale with Digital Readout Floor Scale Platform

At 5' L x 4' W (152.4 cm x 121.9 cm) this heavy-duty scale is large enough to accommodate a full size stretcher, yet will fit easily into most work areas. Accurate and dependable, this low profile floor scale is constructed of Type A36 Carbon Steel coated with a two-part enamel (type 304 Stainless Steel option is available, quote based upon market price of steel). Capacity of 5,000 lbs., (2,267 kg) scale can be installed either on the floor surface with ramp or in-floor. Comes standard with one ramp. Not for Export.

Platform:	0.25" Thick, with safety tread
Platform Height:	3" (7.6 cm)
Operating Temperature:	14° F to 104° F (-10° C to 40° C)
Overload Capacity:	150% Of rated scale capacity
End Load Capacity:	100% Of rated scale capacity
Cable Length:	25' (7.6 m) From platform to instrument
Painted Platform:	Epoxy modified alkaloid enamel
Grade Level:	In operation, scale must be firmly supported at all four corners and within 3° of level

Product No. BB150 — Scale, Recessed in Pit
Product No. BB100 — Scale With One Ramp
Product No. BB052 — Extra Ramp Only (one each)



BB100 - Scale shown with two ramps

Digital Indicator

Digital readout dial quickly displays accurate weight. Can convert to kilos, grams, ounces, etc. using simple operating controls. The unit is enclosed in a durable dust-free watertight stainless steel housing. Easily mounted to wall.

Display	LED: 0.8" high, 6 digit, 11 LED annunciators for operational status enclosure
Enclosure	Zinc die cast black powder coat paint, self-standing on flat surface; Stainless steel, designed to NEMA 4X
Pushbutton Keys	Zero, Cir, print, units, tare, select/on
Units	lb, kg, oz, g, lb-oz
Capacity	Selectable 0 to 999,990
Load Cells	Six 350 ohm cells
Power Requirements	Zinc die cast enclosure: 12-26 VAC/12-36 VDC Stainless enclosure: 90-250 VAC/12-36 VDC
Approvals	NTEP COC #2-091; Canadian weights and measures #AM-5257

Floor Lift Deck Scale



Heavy Duty Stainless Steel Surface



BB155 in use

Stainless Steel Floor Scale with Lift Deck and Digital Readout

The BB155 is made to be easily raised by a single operator for easy cleaning. Nitrogen gas charged 316 stainless steel springs make opening the lift deck with ease. A high performance scale, the BB155 features easy access to underdeck for frequent washdowns.

- 100% Sealed frame
- Continuous welds
- Open corners prevent colonization points for harmful bacteria
- Safety tread finish

Specifications

Floor Scales:

Capacity	1 to 2,500 pounds
Platform	1/4" thick, 304 stainless steel plate
Sizes	5' x 5'
Surface	Safety tread with a custom, polished finish
Overload Capacity	150% of rated scale capacity
Endloading	100% of rated scale capacity
Loading	Neutral Axis Loading
Cable Length	Platform to instrument = 20 feet standard
Electronics	NEMA 4X stainless steel enclosure, remote mount Analog Junction Box, QMB or ISC
Lifting Mechanism	2 or 3, 316 stainless steel, nitrogen gas charged springs
Approval	NTEPCOC#98-005A2

Load cell:

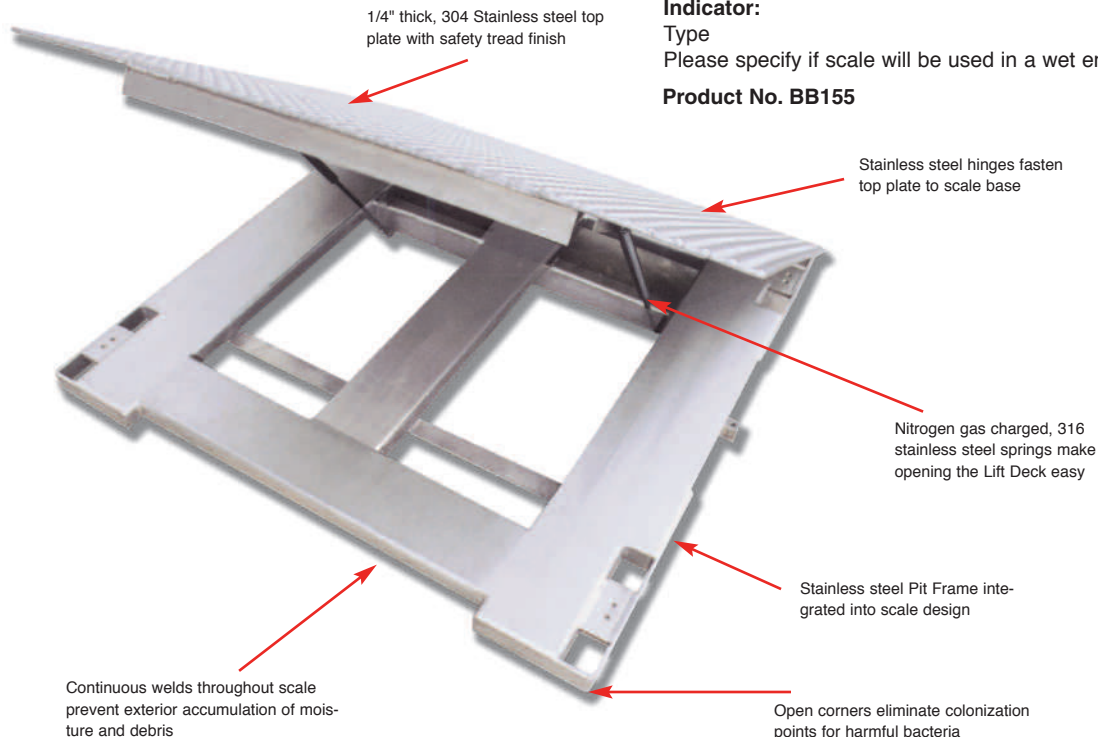
Capacity	1,000 to 5,000 lbs
Excitation voltage	5 to 15 VDC
Construction	17-4PH stainless steel
Sealing	IP68
Approval	Factory Mutual

Indicator:

Type	2250 Indicator
------	----------------

Please specify if scale will be used in a wet environment

Product No. BB155



Fluid Collection

1

2

3

4

5

6

7

8

9

10

11



BE013
Vacuum Hydro-Aspirator

Vacuum Hydro-Aspirator

- High vacuum maintains a 26" suction at 60 lbs. of water pressure
- Can easily disassemble for cleaning
- Built-In vacuum breaker eliminates the possibility of back siphonage
- Reverse flow allows for simple clearing of clogged suction line and provides fresh water spray 3-5 gallons per minute, 40-60 PSI
- Standard 3/4" (1.9 cm) hose thread for easy attachment to most sinks
- Brass construction with high luster chrome finish

Product No. BE013



Non-Clogging Postmortem Aspirator Extension Accessory

- Postmortem aspirator is used in conjunction with the Hydro Aspirator to evacuate fluids from the body
- Flat head allows complete drainage of cavities
- Can be used for irrigation
- Brass construction with high luster chrome finish
- 10-1/2" (26.7 cm) long

Product No. BE014



Extended Probing Postmortem Aspirator Extension Accessory

- Postmortem aspirator extension used in conjunction with the Hydro Aspirator to evacuate fluids from the body
- Slender head allows for complete and easy drainage of cavities
- Can be used for irrigation
- Brass construction with high luster chrome finish
- 9-3/4" (24.7 cm) long

Product No. BE019



Hydro-Aspirator Extension

- The extension serves a dual purpose
- Adds an additional vacuum breaker for added protection
- Simple attachment to the top of the Hydro-Aspirator
- Brass construction with a high luster chrome finish
- 5" (12.7 cm) long

Product No. BE015



BE015 attached to BE013

The Mopec Fluid Collection
Can Easily be Added to Any
Existing Hydro-Aspirator

Fluid Collection - Embalming Supplies



Clear Plastic Tubing - Thick Walled

- Works with most morgue plumbing fixtures
- Flexible
- 5/8" (1.5 cm) Outside diameter
- 3/8" (.9 cm) Inside diameter
- 1/8" (.3 cm) Thick walls
- Sold in 10 ft. increments (304.8 cm) or greater

Product No. BE016

Fluid Collection System



Mopec's Fluid Collection System consists of two, heavy-duty 4-L polypropylene bottles mounted on a stainless steel carriage. Polypropylene bottles are constructed for heavy-duty vacuum applications. An air tight, leak-proof seal is assured with the TPE (Thermo Plastic Elastomer) gasket. Collection bottles are autoclavable and chemical resistant.

The entire unit is mounted on a stainless steel carriage (16" L x 7" W x 10" H). The bottles are connected by 3/8" (1.0 cm) diameter heavy wall vinyl tubing. Ten feet (304.8 cm) of additional tubing is provided for attaching the Fluid Collection System to the hydro-aspirator's vacuum nozzle.

The collection bottles can be used separately or in tandem. Simply connect the short link of tubing between the two bottles. The long suction tubing can be attached to the aspirator head (sold separately). Vacuum power is regulated at the hydro-aspirator on your table. Efficient and safe to use in any morgue - requires no electrical pump. Hydro-Aspirator Sold Separately.

Product No. BK610

Stainless Steel Sanitray



The FC105 Stainless Steel Sanitray is a hands free soaking trough designed to sterilize cumbersome post mortem tools such as bullet probes, trocars and other slender instruments. The Sanitray easily mounts to any wall or stainless steel backsplash, and creates a dedicated disinfecting work-zone that is always ready for cleanup. Simply fill tray with Instrument Cleaner (BE046) disinfecting solution and place instruments in the Sanitray over night. Unit is equipped with lid, drain pit-cock, and an optional removable inner straining basket for easy retrieval of sterilized tools. When the solution has lost its cleaning power; simply open the pit-cock, drain, and refill with fresh disinfectant.

Measures 29-3/4" L x 4-1/2" W x 4" H (75.5 cm x 11.4 cm x 10.1 cm)

Product No. FC105

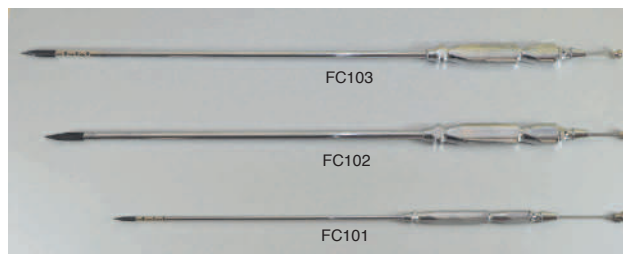
Sanitray Drain Basket



Insert basket fits inside of Sanitray. Drainage holes are located along the length of the basket on each side and on bottom of basket. Made of stainless steel. Measures 24-1/4" L x 3-3/4" W x 3-3/8" H (72.2 cm x 9.5 cm x 8.5 cm).

Product No. FC104

Trocars



Used near the end of the embalming process to provide drainage of bodily fluids and organs after the vascular replacement of blood with embalming chemicals. Attached to a suction hose or hydro-aspirator. Sharply pointed shaft. Chrome-plated. Available in three sizes: 12", 16" and 18" lengths.

Large - Product No. FC103

Medium - Product No. FC102

Small - Product No. FC101

1

2

3

4

5

6

7

8

9

10

11

Evidence Cabinet

Folding Evidence Cabinet

The storage cabinet protects valuable evidence with this completely enclosed cage. The folding shelves allow storage of very large items such as a rifle or shotgun. When you drop the shelf, you now have ample storage for many small items on two levels. When the cabinet is not in use, you can fold the complete unit into a compact system that can be stored in a small area. Heavy gauge 1" x 2" wire mesh. Two (2) rigid and 2 swivel 6" x 2" molded rubber wheel casters increase mobility. 44-1/2" x 27" x 76" H (113 cm x 68.5 cm x 193 cm). The BE200 has a 2,000 pound capacity. Gray epoxy finish.



Product No. BE200



The BE200 folds to 6" for compact storage



1

2

3

4

5

6

7

8

9

10

11

Specimen Carts

Mopec's Specimen Carts allow easy transport of your specimen from the accessioning area to anywhere in the laboratory. With four non-marring polyurethane swivel caster, (2 are locking) the cart rolls smoothly anywhere in the lab. With a multitude of racking shelves, you can virtually accommodate any size specimen container using the standard 26" x 18" (66 cm x 46 cm) tray and placing them at different levels. During transport, the trays remain securely on the shelf by using the locking gate. The locking gate lifts up and swings out of the way during use. To lock in, simply lift the gate, swing into place and latch to the frame.

Small Specimen Cart - End Opening

Dimensions: 32" L x 18-1/2" W x 40" H (81 cm x 46 cm x 101 cm).

Product No. BE201



BE201 - Containers not included. Trays are optional.

Large Specimen Cart - Side Opening

Dimensions: 23" L x 29-1/2" W x 69" H (58.4 cm x 74.9 cm x 175.2 cm).

Product No. BE202



BE202 - Containers not included. Trays are optional.

Optional Trays

Molded fiberglass trays are 26" L x 18" W (66 cm x 45.7 cm). Reinforced edges for extra strength. Tray fits both BE201 and BE202. Sold individually.

Product No. BE210

1

2

3

4

5

6

7

8

9

10

11

Mobile Book Holder Station and Portable Supply Cart/Podium

Mobile Book Holder Station

Height Portable Writing Podium

1

2

3

4

5

6

7

8

9

10

11



The BN100 Adjustable Mobile Book Stand is a mobile reference podium designed to organize and/or present technical information for life science professionals and students. The BN100 features a unique, dual sided, "present and display" book rest, making the stand ideal for teaching applications as well as for post mortem documentation. Each side of the book rest is equipped with an extended bottom lip to accommodate extra thick medical publications and paperwork. Rests also easily accommodate any commercially available e-reader for further capacity and convenience, while two storage trays provide space for utensils, laptop, books and other belongings.

The BN100 is constructed of stainless steel and measures 24-1/8" L x 20-1/4" W x 40-7/8" H (61 cm x 51.4 cm x 103.8 cm) at lowest position. Book rest is easily adjustable to 49-7/8" to accommodate the tallest of users while 2" casters permit effortless mobility.

Stationary Book Stand – Option removes casters from unit, offering a reference podium with a fixed base.

Mobile Book Stand - Product No. BN100
Stationary Book Stand - Product No. BN200



Heavy-duty stainless steel construction

Writing surface height starts at 43" and angles up to a height of 53". Overall dimensions: 53" tall x 24" wide x 24" deep (134 cm x 60.9 cm x 60.9 cm). Custom shapes and styles are available. All autopsy supplies, instruments forms and other presentation materials can be stored on two sturdy 24" x 24" fixed shelves. Four 5" locking casters allow the unit to be easily moved. The large writing surface has a lip for containment of any size forms, or requisition.

Product No. BJ100

**Call 800.362.8491
to Place an Order
With One of Our Friendly
Customer Service
Representatives**



HISTOLOGY

Chapter 3



Water Flotation Baths	112
Roto-Dry	113
Paraffin Dispenser	114
Paraffin Tappers.....	114
Transfer Dyes.....	115
Slide Staining Tray Kit.....	115
Microtome Supplies.....	116
DecalQwk	116
Staining Dishes	117
Slide Storage/Slide Holder	118
Slide Storage	119
Pathport Transport System	120
Pathport®	121
Undercounter Lab Storage.....	122
Lab Refrigeration/Freezers	123
Chill Tray	124

Water Flotation Bath

1

Lighted Tissue Flotation Bath with Digital Temperature Display

Lighted Tissue Flotation Bath is designed to help eliminate wrinkles and distortions in the preparation of paraffin embedded tissue sections. Bath temperature ambient to 60°C.

Illuminated black back-ground provides clear viewing of tissue sections. Removable 9" x 5" x 2" deep glass dish (capacity 2 litres) enables easy cleaning, fast water changes or sterilization.

Temperature range of bath is ambient to 60°C. The control panel features LED display, pilot-lighted on/off power, lamp switches and thermostat dial on an exterior stainless steel gray enamel finish. 120V/60Hz/1Ph, 600 Watt, UL, CSA and CE Listed. Net Weight: 13 lbs. (5.9 kg) Dimensions: 15.5" W x 13.5" D x 4.5" H (38.1 cm x 34.3 cm x 11.4 cm)

- Accuracy: +/- 1°C
- Uniformity at 55°C: +/- 1°C
- Dryer Block: N/A
- Orienter Block: N/A

120Volt/60Hz/1 Phase Product No. BK101

230Volt/60Hz/1 Phase Product No. BK102



2

3

4

5

6

7

8

9

Illuminated Tissue Flotation Bath

The BK103 Tissue Flotation Bath has a microprocessor controlled temperature selection, easy to read LCD display and an independent analog safety thermostat to ensure temperature stability. After sections are mounted on slides, lay slides on the slide finishing block preset at approximately 55°C or 60°C to quickly smooth wrinkled sections, or on the slide dryer block preset to 40°C. Temperature range of bath is ambient to 60°C, microprocessor thermostat control. Glass dish 9" x 5" x 2" deep (capacity 2 litres) is included. Power Requirements: 120V/60Hz/1Ph, 350 Watt. Constructed of stainless steel and finished with baked gray enamel. UL, CSA and CE Listed. Net Weight: 13 lbs. (5.9 kg). Dimensions: 14.5" W x 15.5" D x 4.5" H (36.83 mm x 39.37 mm x 11.43 mm)

- Accuracy: +/- 1°C
- Uniformity at 55°C: +/- 1°C
- Dryer Block: 40°C +/- 3°C, Fixed
- Orienter Block: 60°C +/- 4°C, Fixed

120Volt/60Hz/1 Phase Product No. BK103

230Volt/60Hz/1 Phase Product No. BK104



10

11

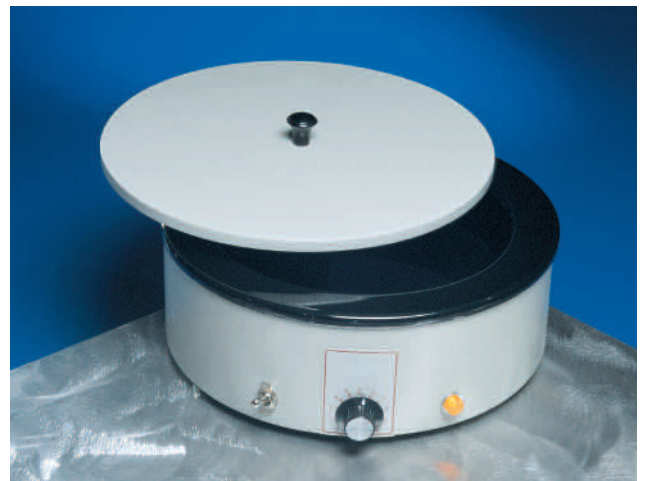
Round Tissue Flotation Bath with "T" Edge for Drying Slides

The "T" edge of the bath serves as a convenient drying surface for processing slides. Temperature Range: 35°C to 65°C. Unit is made of insulated seamless sheet aluminum. The exterior jacket and cover are finished in baked-on gray enamel. The interior is anodized non-glossy black to reduce glare and improve visibility of tissue sections. Power Requirements: 120V/60Hz/1Ph, 350 Watt

- Chamber Dimensions: 8-1/4" Dia. x 2" H (20.9 cm x 5.0 cm)
- Rim Dimensions: 1-1/4" W (3.1 cm)

120Volt/60Hz/1 Phase Product No. BK100

230Volt/60Hz/1 Phase Product No. BK099



Roto-Dry Forced Hot Air Lab Slide Dryer



- 1
- 2
- 3
- 4
- 5
- 6
- 7
- 8
- 9
- 10
- 11

Less Tech Time

The Roto-Dry allows for quick and easy placement of a slide rack through a large hinged opening. Close the lid, set the temperature and timer and then walk away. Manual rotation of racks is no longer necessary to assure quick, even drying. Average drying time: 15-20 minutes @ 70°C.

Easy-To-Use Digital Touch Controls

Simply press the keypad for easy operation. Large LED temperature display easily monitors delicate staining procedures.

Electronic Timer

The Roto-Dry comes equipped with a simple electronic programmable timer/alarm that will automatically sound when the slide drying process is completed. After the alarm sounds, the Roto-Dry will continue to operate to guarantee a constantly warm and ready-to-use drying chamber.

Extra Large Drying Chamber

A 13" (330 mm) diameter round x 5" (127 mm) deep chamber is built to accommodate virtually any size horizontal or vertical slide staining rack.

Rotating Platform, Forced Hot Air

The unique rotating platform, combined with temperature controlled forced hot air, assures quick and even slide drying by eliminating hot and cold spots.

Durable and Easy to Clean

Our attractive, stainless steel construction guarantees years of reliable service. All surfaces of the Roto-Dry will clean easily with any Mopec laboratory disinfectant or wipe. Not for Export.

- Dimensions: 12-1/4" H x 15-3/4" W x 21-1/2" L (311.15 mm x 400.5 mm x 546.1 mm)
- Chamber Inside: 13" D x 5" D (330 mm x 127 mm) I.D.
- Electrical: 120V/60 Hz/1Ph, 6 Amp
- Temperature Range: Ambient to 80° C

Product No. BK200



Inner Chamber

Paraffin Dispenser and Paraffin Tappers

1

2

3

The Paraffin dispenser features a five liter capacity, approximately 1.25 gallons (4.7 liters). Stainless steel outer casing. A heated valve ensures a consistent flow of molten wax (not included). Aluminum inner reservoir provides excellent thermal transfer and temperature control. Dispenser valve allows precise control of flowing wax and can be locked in the open position if desired. Inner reservoir screen helps to prevent large particulate from clogging the dispenser valve. Rapid warm-up with an advanced safety over-temperature

Specifications:

- Overall Dimensions: 8-1/2" x 16" (21.6 cm x 40.6 cm)
- Temperature Range: 40° C to 75° C +/-2° C
- Certified to UL61010-1, CSA C22.2 and CE
- Electrical: 120Volt / (50-60)Hz/1 Ph
- Power 250 watts
- Cord length: 3 feet

Product No. BK500



Inner reservoir screen



Inner reservoir

4

5

Paraffin Tappers

The Embedding Assistant

This is the one embedding tool you can't do without. Comes in multiple sizes to fit all different sizes of embedding molds. Holds the heat so the tissue stays flat in the mold. These embedding tappers will help you get any piece of tissue embedded flat and in the same plane for easier cutting. The Paraffin Tappers are helpful with multiple piece skins, large pieces of uterus and even those multi-piece biopsies. The Paraffin Tappers will reduce re-cuts and re-embeds as the tissue is embedded flat in the embedding mold the first time. A molded handle is included to reduce injury to the technicians fingers.

6

7



Paraffin Tapper Set Includes:

- (1) Wooden storage base
- (1) SS Base Mold, 7 x 7 x 5 mm
- (1) SS Base Mold, 15 x 15 x 5 mm
- (1) SS Base Mold, 24 x 24 x 5 mm
- (1) SS Base Mold, 30 x 24 x 5 mm
- (1) SS Base Mold, 37 x 24 x 5 mm

Product No. BG028

8

9

Replacement Paraffin Tappers

(1) SS Base Mold, 7 x 7 x 5 mm
Product No. BG029

(1) SS Base Mold, 15 x 15 x 5 mm
Product No. BG030

(1) SS Base Mold, 24 x 24 x 5 mm
Product No. BG031

(1) SS Base Mold, 30 x 24 x 5 mm
Product No. BG032

(1) SS Base Mold, 37 x 24 x 5 mm
Product No. BG033



Additional XX-Large Tapper

(1) SS Base Mold, 68 x 46 x 5 mm
Product No. BG034



Paraffin Tappers in use

10

11

Dyes and Slide Staining Tray Kit

Brilliant Tissue Marking Dyes



Mopec's multi-colored BG020 Brilliant Tissue Marking Dye kit offers seven fast drying and permanent marking dyes for use with: marking of individual surgical margins, marking of multiple tissue samples processed in a single cassette, and maintaining correct tissue orientation for Mohs Surgery. Our marking dyes offer superior adherence to excised tissue margins and maintain excellent readability while advanced composition allows for a thin coating of pigment without masking the underlying tissue. Our special quick drying formulation decreases frozen sectioning time, leading to a more productive laboratory.

Kit includes seven 2 oz. bottles of colored dye: black, blue, purple, red, orange, yellow, and green. Also included with kit is: one display box, multiple wooden applicator sticks and two flexible rulers. Each color is available in eight ounce refill bottles.

Product No. BG020 - Starter Kit



8 oz. Refill Bottles

Product No. BG021 Black

Product No. BG022 Blue

Product No. BG023 Yellow

Product No. BG024 Red

Product No. BG025 Orange

Product No. BG026 Green

Product No. BG027 Purple



Slide Staining Tray Kit



Pan is removable

Made of stainless steel. Can be used in various areas of the lab.

- Microbiology - Gram staining
- Histology - Special staining
- Hematology - Wright staining

Kit includes base with attached leveling indicator and four leveling feet, removable rack and removable tray. Dims: 21" L x 6-1/2" W x 8" H (53.3 cm x 16.5 cm x 20.3 cm)

Product No. BG015



Optional Collection Bottle and Tubing

Includes three feet of tubing and collection bottle

Product No. BG018

1
2
3
4
5
6
7
8
9
10
11

DecalQwk and Microtome Supplies

1

2

3

DecalQwk

DecalQwk Rapid Decalcifier is a versatile decalcification solution that is designed to quickly and gently demineralize bone specimens for later sectioning and staining. Most specimens, depending on thickness and density, can be decalcified in four hours or less with DecalQwk; a major improvement to histological processing.

Utilizing ordinary decalcification solution is often a time consuming, multi-night process that yields inconsistent results on samples such as hard compact bone. Failure to sufficiently decalcify a specimen can result in damage to microtome equipment and also frayed or torn sections. Formulated of powerful hydrochloric acid, DecalQwk Rapid Decalcifier assures a smooth workflow and dependable results. Sold in one gallon containers. (3.7 L)

DecalQwk Field Uses:

- Anatomic
- Clinical (surgical pathology & autopsy pathology)
- Comparative anatomy
- Dental pathology
- Dermatopathology
- Experimental pathology
- Medical (surgical pathology & autopsy pathology)
- Oral pathology
- Special (anatomy)

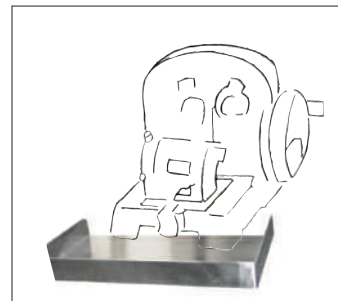
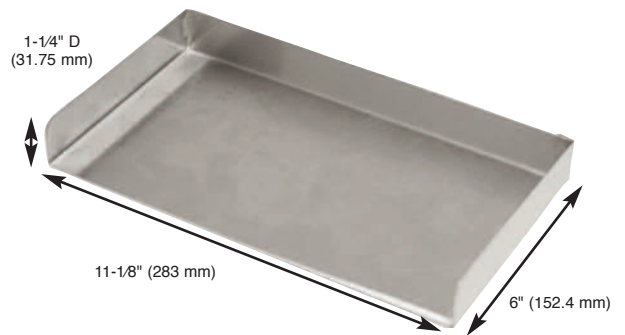
Product No. BE043



A Green Product



Stainless Steel Microtome Tray



Simply place tray under Microtome - For safety's sake, remove knife from microtome before inserting tray.

Keep your microtome workspace clean. Paraffin shavings are contained within the tray and not scattered over the counter or floor. Made of heavy gauge stainless steel, this tray easily fits under the front of the microtome. Lays flat on table or counter. Edges are beveled, not sharp. Easy to remove and clean with any of Mopec's cleaners, disinfectants or any formulated cleaner made for stainless steel.

Product No. BA032

Microtome Object Disks



A drop of mounting media is placed on the disk, and the specimen to be cut is fixed in place. Straight shank, chrome plated

Product No. BG010 7/8" (22.2 mm) Diameter

Product No. BG011 1-1/8" (28.5 mm) Diameter

Product No. BG012 1-1/2" (38.1 mm) Diameter

Product No. BG013 2" (50.8 mm) Diameter

4

5

6

7

8

9

10

11

Disposable Microtome Blades Bulk Package

Compare our price. Our bulk package is one-third the cost of regular packages. The same high quality blade at an economical price. Five boxes of 100 are in one bulk package. Blade Dimensions: 4" L x 1/2" H, thickness .017" (82.55 mm x 12.7 mm x .43 mm)

Product No. AJ108



Staining Dishes and Tray



BA002
Glass Slide Staining Dish

BA001
Staining Jar with Glass Cover

BA003
Staining Jar with Plastic Cover

BA004
Vertical Wide Top Glass Jar

Coplin Glass Staining Jar and Cover

Heavy-duty molded construction with glass cover. Ten slide grooves accommodate 20 - 3" x 1" slides (back to back).
Inside Dimensions: 3.35" W x 2.44" W x 1.38" D
(85 mm x 62 mm x 35 mm).

Product No. BA001

Coplin Glass Staining Jar and Cover

Heavy, clear glass jar with clear glass cover. Accommodates five each 3" x 1" slides (back to back).
Dimensions: 4.75" H x 1.8" W x 3.8" D
(120.6 mm x 44.4 mm x 95.2 mm).

Product No. BA002

Coplin Glass Staining Jar with Plastic Cover

Heavy, clear glass jar, five molded internal grooves, tight fitting screw-on-plastic black cover prevents fluid evaporation. Accommodates ten each 3" X 1" slides (back-to-back).
Dimensions: 4.3" H x 1.6" Dia.
(109 mm x 40.6 mm).

Product No. BA003

Vertical Wide-Top Heavy Clear Glass Jar

Jar has eight slots, each slot holding two each 3" x 1" slides (back-to-back). The wide top is convenient for transferring slides from jar to jar. Glass cover included.
Dimensions: 4.3" x 2.2" x 1.5" Dia.
(111 mm x 57 mm x 38 mm).

Product No. BA004

Kuehne Coverglass/Specimen Forceps

Stainless steel, 4-1/4" long (107 mm).



Product No. AB008

1

2

3

4

5

6

7

8

9

10

11

Slide Storage

1

2

3

4

5

6

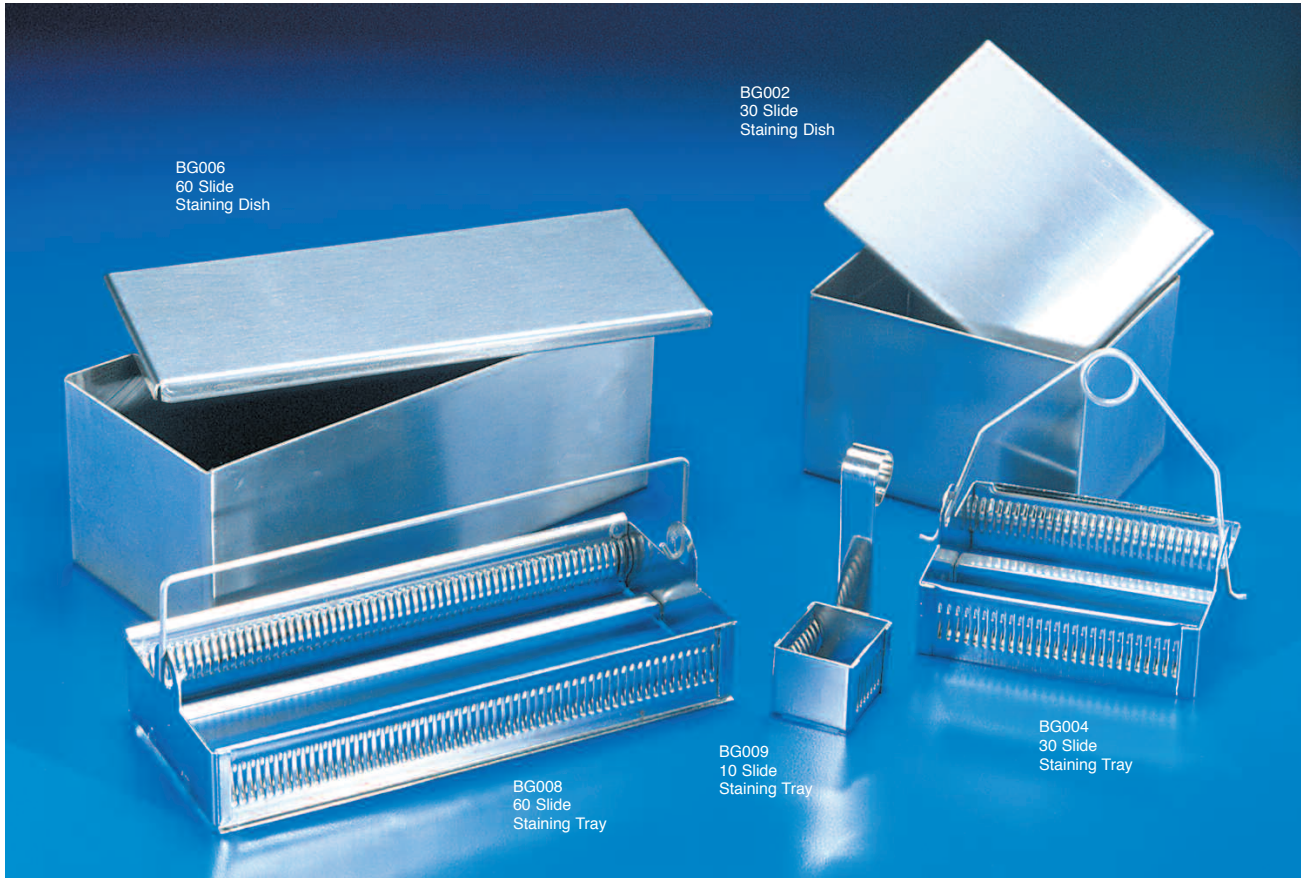
7

8

9

10

11



Stainless Steel Staining Dishes

Stainless steel construction, includes covers

30 Slide capacity

Dimensions: 4.5" L x 3.5" W x 3" H (114 mm x 89 mm x 76 mm)

Product No. BG002

60 Slide capacity

Dimensions: 8" L x 3.75" W x 3" D (203 mm x 95 mm x 76 mm)

Product No. BG006

Stainless Steel Staining Trays

Removable handle, stainless steel construction, accepts 3" W (76 mm) x 1" H (25.4 mm), 1-1/2" H (38 mm) or 2" H (50.8 mm) slides.

30 Slide capacity

60 Slide capacity

10 Slide capacity, attached handle

Product No. BG004

Product No. BG008

Product No. BG009



Microscope Slide Holder

With Mopec's slide holder, slides are always separated, visible and orderly. Perfect for drying slides or drying excess fluids off slides during processing. Made of durable, light blue polyethylene with 12 slide slots. Dimensions: 3-3/4" W x 15-1/4"L (95.25 mm x 387.35 mm). Also can be ordered double-sided, holding 24 slides. Cleans easily with any Mopec cleaner.

Product No. BH024



The BG Staining Trays feature stainless steel construction and a removable handle

Slide Storage



6 Drawer Slide Storage Cabinet shown with base cabinet

Microscope Slide Storage Cabinet

Stackable cabinets are made from heavy-duty sheet metal with a baked-on enamel finish. Can be locked together for stability. Drawers are removable for easy handling. Knobs are rounded for quick pull. Each drawer comes with a tab for labeling. Holds 5,000 slides!

6 Drawer Slide Storage Cabinet
15-3/4" W x 18-3/4" D x 5" H (40 cm x 47.6 cm x 127 cm)
Product No. BH011

Cabinet Base only for Slide Cabinet
15-3/4" W x 18-3/4" x 2-3/4" (40 cm x 47.6 cm x 6.9 cm)
Product No. BH012



BH014
Reinforced
Cardboard Slide Tray

BH008
Plastic Slide Folder

Reinforced Cardboard Slide Tray

Two doors provide protection in a dust-free environment for safety while carrying or storing slides. Holds 20 standard 3" x 1" slides. Each slide is raised off the surface allowing easy removal simply by pressing on the end. Slides are placed in individual compartments.

Closed Dimensions: 7-1/2" W x 11-1/2" L (19.0 cm x 29.2 cm).
Product No. BH014

Plastic Slide Folder

Made of durable white plastic, folder holds 20 standard 3" x 1" slides. Transparent cover. Each slide rests on four plastic points to prevent sticking, and provides easy removal.

Dimensions: 7-1/2" W x 1/4" D x 11-1/2" L (19.0 cm x .63 cm x 29.2 cm).
Product No. BH008



Plastic Slide Box, 100 Slide Capacity

Storage for up to 100 standard 1" x 3" microscope slides. Hinged lid and positive snap closure. Provides protection for slides in numbered slots with printed index card mounted inside of lid.

Dimensions: 6-3/4" W x 8-1/2" D x 1-1/2" H
(17.14 cm x 21.59 mm x 3.81 mm)

Product No. BH010



Plastic Slide Box, 25 Slide Capacity

Storage for up to 25 standard 1" x 3" microscope slides. Secure fit for slides in numbered slots in the base and index card for slide titles in lid. Base and lid have interlocking grooves for convenient stacking.

Dimensions: 3-1/4" W x 3-3/4" D x 1-1/4" H (8.2 cm x 9.5 cm x 3.1 cm)
Product No. BH009

1

2

3

4

5

6

7

8

9

10

11

Transport System

1

2

3

4

5

6

7

8

9

10

11



A better alternative for pathology specimen transport. Pathport offers a safe, secure, and economical method for transporting specimens. Containers not included.

PATHPORT® TRANSPORT SYSTEM

Pathport is a rigid constructed transport system, specifically designed and manufactured to carry most pathology specimens. Equipped with a custom fit disposable formaldehyde-neutralizing pad and a specially designed seal to lock-in harmful vapors, the Pathport Transport System has been tested and proven to absorb and neutralize a 500ml 10% formalin spill. Passive monitoring of a sealed Pathport Transport System unit detected virtually no escape of formaldehyde vapors, even after eight hours. Spill clean-up can be accomplished by simply replacing the pad.

Safe: Pathport allows the transport of pathology specimens in full compliance with OSHA bloodborne and hazard communication standards.

Secure: Pathport has a locking capability which allows usage for medicolegal cases and medical examiner field investigations.

Effective: Pathport disposable pads effectively absorb and neutralize a 500 ml spill of 10% formalin within the closed Pathport Transport System.

Economical: Pathport eliminates costly annual exposure monitoring and hazard communication training for transport personnel and laboratory staff.

Pathport Transport System

19-1/8" L x 9" H x 9-1/2" W
(48.6 cm x 22.9 cm x 24.2 cm)

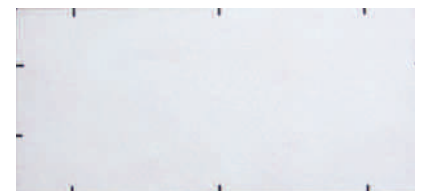
Product No. BE007

For full OSHA compliance, order the Pathport Transport System, exclusively from Mopec. Formalin and other pathology fixatives are classified as regulated waste. OSHA's Bloodborne Standard 29 CFR Part 1910.1030 mandates that pathology specimens be placed in secondary containers which are:

- **Constructed to contain all contents and prevent leakage of fluids during handling, storage, transport or shipping**
- **Labeled**
- **Closes prior to removal to prevent spillage of contents during handling, storage, transport and shipping.**



A Green Product



Replacement pads

**Mopec's Replacement Pads are now
Produced Green!**

Disposable Replacement Pads

(6 Per Package)

17-5/8" L x 8" W x 1/4" Thick
(44.8 cm x 20.3 cm x .64 cm)

Product No. BE008

Specimen Transport and Storage System

PATHPORT³TM MOBILE SPECIMEN STORAGE

Pathport³TM is a stainless steel constructed transport and storage system, specifically manufactured to accommodate pathology specimens. Equipped with a custom fit, disposable formaldehyde-neutralizing pad, the Pathport³TM is specially designed to absorb harmful spills and vapors. Spill clean-up can be accomplished by simply replacing the pad.

For full OSHA compliance, order the Pathport³ Transport SystemTM, exclusively from Mopec.

Dimensions: 43"H x 18"W x 36"L
(108 cm H x 45 cm W x 92 cm L)

Formalin and other pathology fixatives are classified as regulated waste. OSHA's Bloodborne Standard 29 CFR Part 1910.1030 mandates that pathology specimens be placed in secondary containers which are:

- Constructed to contain all contents and prevent leakage of fluids during handling, storage, transport or shipping
- Labeled
- Closes prior to removal to prevent spillage of contents during handling, storage, transport and shipping.



BE020 with shelf



A better alternative for pathology specimen transport and storage. Pathport³ offers a safe, secure, and economical method for transporting and storing specimens.

Convenience: Offers the combined convenience of secure specimen storage and transportation anywhere.

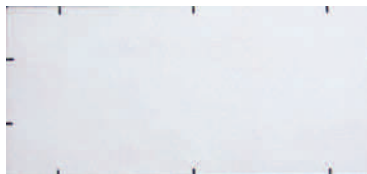
Safe: Pathport³TM allows the transport and storage of pathology specimens in full compliance with OSHA bloodborne and hazard communication standards.

Secure: Pathport³TM offers a secure alternative to store any pathology specimen.

Effective: Pathport³TM disposable pads effectively absorb and neutralize harmful formalin spills within the Pathport³TM Transport System.

Product No. BE020

Mopec's Replacement Pads are now Produced Green!



A Green Product

Disposable Replacement Pad

(1 per package)

36" L x 18" W x 1/4" Thick (90 cm x 45 cm x .7 cm)

Product No. BE021

ISO: Quality Management System in compliance with ISO 9001:2008 and applies: Design, Engineering, Manufacturing and Installation of Equipment Distribution of Supplies for Morgue, Pathology, Histology and Necropsy Applications.

1

2

3

4

5

6

7

8

9

10

11

Specimen Transport and Storage All in One Product!

Undercounter Laboratory Storage

Specifications for Refrigerator

Ext. Dimensions:	23.9" W x 25" D x 34" - 351/4 H (60.6 cm x 63.5 cm x 86.4 cm)
Int. Dimensions:	19-7/8" W x 19.5" D x 22.9" H (50.5 cm x 49.5 cm x 58.1 cm)
Weight:	175 lbs. (79.4 kg)
Gross Cubage:	4.2 cu ft (0.12 m ³)
Electrical:	120Volt/60Hz/1Ph
Maximum Fuse Size:	15 Amp
Total Amp Draw:	4.3 Amp
UL Listed	

Specifications for Freezer

Ext. Dimensions:	27" W x 25" D x 34" H (68.6 cm x 63.5 cm x 86.4 cm)
Int. Dimensions:	23" W x 19.5" D x 22.9" H (58.4 cm x 49.5 cm x 58.1 cm)
Weight:	180 lbs. (81.6 kg)
Gross Cubage:	5.9 cu ft (0.17 m ³)
Electrical:	120Volt/60Hz/1Ph
Maximum Fuse Size:	15 Amp
Total Amp Draw:	6.9 Amp
UL Listed	



All stainless steel interior

Undercounter Laboratory Storage Freezer/Refrigerator

Heavy-duty refrigeration units are designed and manufactured to meet the demanding requirements of scientific and forensic laboratory storage applications. Interior cabinet liners and interior door panels are constructed of industrial quality aluminum with "foamed in place" high-density, polyurethane foam insulation to ensure temperature stability.

For added security, the exterior door panel includes a front-mounted key lock. Cabinet encasement and door panel features folded-in seam and joint construction, so there are no exterior lap joints or exposed rough edges. The interior features an adjustable, epoxy coated wire shelf. The interior and exterior surfaces may be cleaned with any Mopec laboratory cleaner or disinfectant. Adjustable temperature control range. Pull out handle.

Undercounter Refrigeration Units

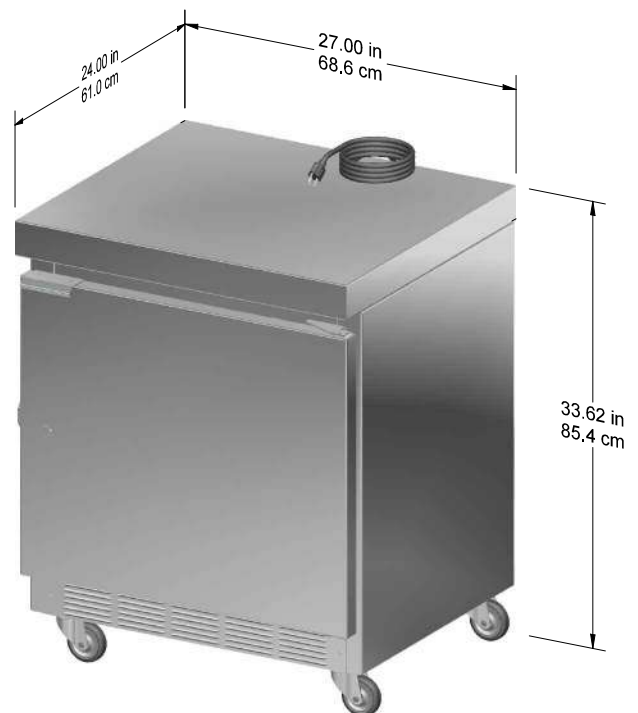
Base-mounted, non-CFC refrigeration system (R404A) features an air-cooled condensing unit, adjustable temperature control range and automatic defrost. Cabinet exterior, top, sides and interior are fabricated of premium grade stainless steel; back and bottom of unit are galvanized steel. Includes one adjustable epoxy coated wire shelf. Not for Export.

Refrigerator

Product No. KG400

Freezer

Product No. KG401



Laboratory Freezers/Refrigerators



Laboratory Storage Unit with Digital Thermometer LED

All laboratory storage units come standard with digital thermometer LED (°C), complete perimeter anti-condensate door opening heater wires to prevent "freeze-out" and a door activated interior fluorescent light and door mounted security lock. Includes adjustable temperature control range. Although all models come standard with 3 epoxy coated wire shelves, up to 5 additional shelves may be purchased.

Units feature a top-mounted, non-CFC refrigeration system (R404A) with an air-cooled condensing unit and automatic defrost. Adjustable temperature control range is also standard. Condensation is automatically evaporated in the collection pan. Cabinet interior and exterior door and sides are fabricated of premium grade stainless steel. Galvanized exterior top and bottom. Not For Export.

1-Door Specifications – 24 ft³ (0.6m³)

Refrigerator Dimensions:	27.5" W x 34.9" D x 80-3/8" H (69.9 cm x 88.6 cm x 204 cm)
Weight:	375 lbs. (170.1 kg)
Electrical:	120Volt/60Hz/1Ph, 8.6 Amp
Refrigerator	Product No. KG100

Freezer Dimensions:	27.5" W x 34.9" D x 79-5/8" H (69.9 cm x 88.6 cm x 202 cm)
Electrical:	120Volt/60Hz/1Ph, 9.7 Amp
Freezer	Product No. KG101

2-Door Specifications – 33.1 ft³ (0.94 m³)

Refrigerator Dimensions:	31-3/4" W x 35-7/8" D x 88-3/8" H (80.6 cm x 91.9 cm x 224.5 cm)
Refrigerator Weight:	439 lbs. (199.5 kg)
Electrical:	120Volt/60Hz/1Ph, 8.6 Amp
Refrigerator	Product No. KG200

Freezer Dimensions:	31-3/4" W x 35-7/8" D x 87-5/8" H (80.6 cm x 91.9 cm x 222.6 cm)
Freezer Weight:	402 lbs. (199 kg)
Electrical:	120Volt/60Hz/1Ph, 12.3 Amp
Freezer	Product No. KG201

3-Door Specifications – 80 ft³ (2.26 m³)

Refrigerator Dimensions:	82.5" W x 34-7/8" D x 80-3/8" H (209.6 cm x 88.6 cm x 204.2 cm)
Refrigerator Weight:	805 lbs. (365.1 kg)
Electrical:	120V/60Hz/1Ph, 8.3 Amp
Refrigerator	Product No. KG300

Freezer Dimensions:	82.5" W x 34-7/8" D x 79-5/8" H (209.6 cm x 88.6 cm x 202 cm)
Freezer Weight:	787 lbs. (365 kg)
Electrical:	120V/60Hz/1Ph, 13.8 Amp
Freezer	Product No. KG301

BK105 Chill Tray

1

2

3

4

5

6

7

8

9

10

11



- Completely Portable
- No More Ice Cubes
- Redesigned



The BK105 Chill Tray is a mobile, self contained, refrigeration unit designed to rapidly cool paraffin imbedded tissue samples for histological processing. This high performance, well insulated, cabinet unit is designed to save time and eliminate the hassle of "doing it the old fashioned way". Simply place a recently embedded tissue sample in the chill chamber and wait. Within minutes, the blocks are firm and solid. This unit forever eliminates the need for ice cubes and paper towel – no more mess!

The BK105 is comprised of a high powered, ozone friendly, refrigeration unit with thermostat controls that combine to offer a broad temperature selection: ranging from ambient to -25 C. This fully sealed unit is able to reach its optimal operating temperature in 15 to 25 minutes; allowing the unit to be turned on and off throughout the day – saving energy when it's services are not necessary. Three inch diameter rubber casters allow for easy storage and mobility throughout a laboratory.

Specifications:

- Freeze Chamber: Large 10" L x 12" W x 6" deep, (25.4 cm x 30.4 cm x 15.2 cm)
- All stainless steel construction with radiused corners
- Overall Dimensions: 22" L x 16" W x 32" H (55.8 cm x 40.6 cm x 81.2 cm)
- Includes 8' (243.8 cm) hospital grade line cord

ISO: Quality Management System in compliance with ISO 9001:2008 and applies: Design, Engineering, Manufacturing and Installation of Equipment Distribution of Supplies for Morgue, Pathology, Histology and Necropsy Applications.

APPROVAL: TUV Listed & Certified: Tests to UL61010-1 :2004 standards in addition to CAN/CSA and NFPA standards. This listing covers the entire products as an entity and not just individual components.



FUME HANDLING

Chapter 4



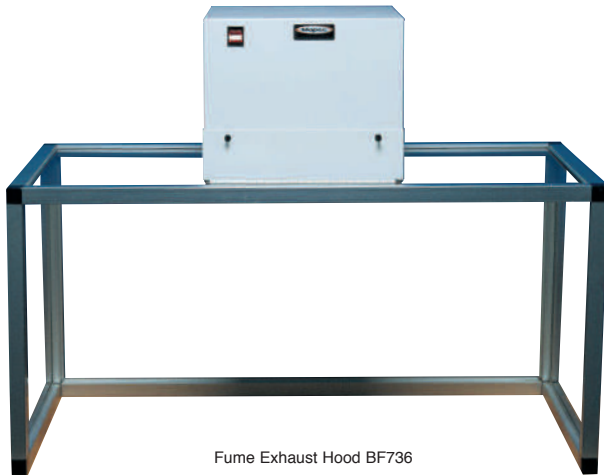
Fume Exhaust Hoods	126-127
BF840 Room Filtration Module	128
BF600 Downdraft Work Cell	129
BF400, 450 Countertop Workstation	130-131
BF500 Freestanding Workstation	132-133
BF550 Freestanding Dualdraft Workstation	134
BF510 Portable Workstation	135
BF900 Dualdraft Dissecting Table	136-137
Replacement Filters	138
Replacement Fume Exhaust Filters	139
Ventilated Tissue Storage	140-141
Chemical Filters	142

Hoods, Adapters and Modules

Fume Free Workspace

Our fume hoods are an excellent solution for extracting fumes from the encapsulated work area. Strong, lightweight and portable, Mopec's manufactured hoods are designed to isolate and remove irritating, potentially hazardous organic vapors from the laboratory environment. Fume hoods are available in standard sizes or may be custom manufactured to suit your laboratory needs.

- Extruded aluminum frame construction
- High impact Lexan™



Fume Exhaust Hood BF736



Note: Fume Hood size determines the number of ventilation adapter(s) or exhaust module(s) required. Please specify when ordering. Hood and module(s) BF710 and BF720 are sold separately.

Dimensions	Product Number	Exhaust System BF710 or BF720	Quantity Required
24" L x 20" H x 20"D	BF724		1
36" L x 20" H x 20"D	BF736		1
48" L x 20" H x 20"D	BF748		2
60" L x 20" H x 20"D	BF760		2
72" L x 20" H x 20"D	BF772		3
84" L x 20" H x 20"D	BF784		3



**Custom Manufactured
Fume Exhaust Hoods are Our Specialty!**

Fume Exhaust Hood BF760

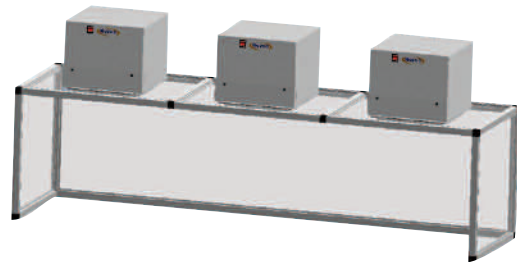
Hoods, Adapters and Modules



BF724 Shown with Exhaust Module BF710



BF748 Shown with Exhaust Modules BF710



BF772 Shown with Exhaust Modules BF710

- 1
- 2
- 3
- 4
- 5
- 6
- 7
- 8
- 9
- 10
- 11

Self-Contained Exhaust Module

The exhaust module (BF710) is a fully self-contained air purification chamber. Vapor laden air is drawn and passed through a two-stage filtration system. Airborne debris is first trapped in the pre-filter, followed by hydrocarbon absorption in a highly efficient filter cartridge containing over 210 cubic inches of activated charcoal. Removal of incoming particulate matter by the pre-filter serves to protect the charcoal filter from prematurely losing its effectiveness due to clogging. Front access panel makes the disposable filters easy to replace.

- Charcoal and particle filter media
- High-speed fan with on/off switch

Dimensions

9-7/8" H x 12-3/8" L x 12-1/8" D
(250.8 cm x 31.4 x 30.7 cm)
International use

Product No.

BF710

BF715



Ventilation Adapter

For use when in-house ventilation is available, module would not be necessary. Ventilation duct, six inch diameter.

Dimensions

12-1/4" L x 6" H x 12-1/2" D
(31.1 cm x 15.2 cm x 31.7 cm)

Product No.

BF720



BF840 Room Filter

1

2

3

4

5

6

7

8

9

10

11



Inside of BF840

The BF840 Room Filter is a heavy duty auxiliary air filtration unit designed to neutralize residual formalin fumes in the busiest of laboratories. At peak workloads, many large facilities find themselves exceeding OSHA recommended exposure rates for formalin and are forced to temporarily shut down or operate at limited capacity. Equipped with two replaceable 40 lb (18 kg) potassium permanganate and carbon mixed filters, the BF840 has the horsepower to rein in formalin overexposure and maintain a safe laboratory environment.

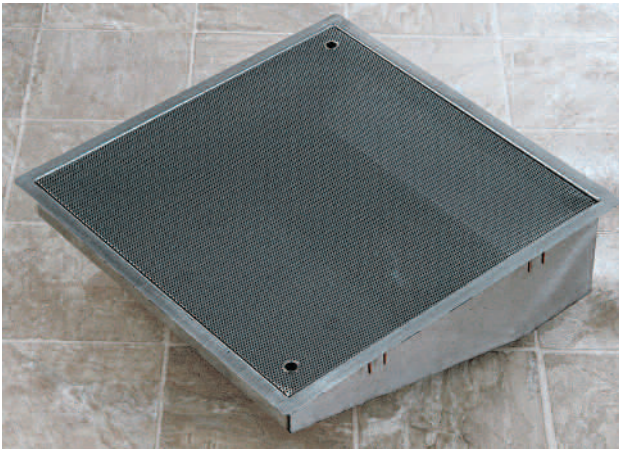
The BF840 is constructed all of stainless steel and is equipped with a 9' line cord with hospital grade plug. Casters enable easy positioning of the BF840 through out any lab, allowing easy filtration of problem areas.

Product No. BF840

ISO: Quality Management System in compliance with ISO 9001:2008 and applies: Design, Engineering, Manufacturing and Installation of Equipment Distribution of Supplies for Morgue, Pathology, Histology and Necropsy Applications.

APPROVAL: TUV Listed & Certified: Tests to UL61010-1 :2004 standards in addition to CAN/CSA and NFPA standards. This listing covers the entire product as an entity and not just individual components.

BF600 Downdraft Work Cell



Designed to fit in a 30" front to back countertop (cabinet optional). Removable work surface provides easy cleaning. Downdraft workcell has a 3-1/2" cup drain for any overflow and washdowns.

Using downdraft fume exhaust technology the BF600 downdraft work cell provides a safe economical downdraft working environment. Ideal for working with reagents, formalin, xylene and alcohol. Requires a sink base cabinet.

Overall Dimensions: 27" L x 27" W x 8" D
(68.5 cm x 68.5 cm x 20.3 cm)

Custom sizes available

Please note: BF600 is not an actual sink and should not be plugged to retain fluids.

Product No. BF600



Cabinet not included



(Customer's existing base cabinet with counter top)



Cabinet not included

- 1
- 2
- 3
- 4
- 5
- 6
- 7
- 8
- 9
- 10
- 11

BF400 and 450 Countertop Workstations

1

Compact and Versatile Design

Recommended for dermatology and smaller labs that need a single workstation. These compact workstations provide a surprisingly large work area and are ideal for dissection, trimming, small surgical procedures and staining. The nine foot line cord makes it easy for a smaller lab to install with ease.

Dimensions: 36" L x 21" D x 19" H
(91 cm x 53 cm x 48.2 cm)

2

Dualdraft

All BF Series workstations are equipped with Mopec's Dualdraft ventilation system that safely and effectively remove harmful toxic fumes—even when the work area is blocked by dissection boards or instruments. The fixed Backdraft ventilation combined with adjustable Downdraft ventilation delivers approximately 30% more air-flow in front of the work area.

3

4

Filtering

The powerful self-contained fans evacuate all harmful formaldehyde fumes into the internal filtering system (BF400 requires two each). Blower motors have a variable speed adjustment dial for adjusting the air flow to your desired rate. Front access replacement filters are easily changed. Mopec offers both potassium permanganate and activated charcoal (for Xylene) filters for BF400 only.

5

6

Large, Lighted Work Area

Compact, yet versatile, the BF Series features a large 34" L x 13" W (86.3 cm x 33 cm) work area and features a grid plate that is easily removable for cleaning. Work area is illuminated with a 24" fluorescent bulb. Pilot lighted on/off switch is located on the back panel for accessibility.

7

8

Storage Shelf

The top shelf of the workstation has a 12" W x 36" L (30 cm x 91 cm) area for placement of specimen containers.

9

Easy Installation

A simple plumbing connection and standard 110 volt electrical outlet allows this unit to be placed in areas where space is limited. Unit is supplied with an nine foot (274 cm) hospital grade line cord.

10

All Stainless Steel Construction

Work surface and filtering areas are manufactured using 304 stainless steel with a #4 satin finish.

11

Electrical

Equipped with top-mounted, water tight, GFCI duplex receptacle box

ISO: Quality Management System in compliance with ISO 9001:2008 and applies: Design, Engineering, Manufacturing and Installation of Equipment Distribution of Supplies for Morgue, Pathology, Histology and Necropsy Applications.

APPROVAL: TUV Listed & Certified: Tests to UL61010-1 :2004 standards in addition to CAN/CSA and NFPA standards. This listing covers the entire products as an entity and not just individual components.



BF Series Features:

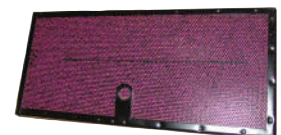
Work Surface Grid Plate:	18 Gauge, type 304 stainless steel with a #4 satin finish
Housing:	18 Gauge, Type 304 stainless steel with a #4 Satin finish
Fan System:	Dual exhaust blower, 300 CFM total
Light:	24" Standard fluorescent bulb, with pilot lighted on/off switch
Work Area:	34" L x 13" W (86.3 cm x 33 cm)
Power:	8' (243.8 cm) Hospital grade line cord
Electrical:	120Volt/60Hz/1Ph
Filters:	14" L x 7" W x 1" (35 cm x 17.7 cm x 2.5 cm)

Select from your choice of two (2) filter media for BF400 only
(Please specify when ordering your workstation)

Fine Particle Activated Charcoal Media
Product No. BF008

Potassium Permanganate
Product No. BF007

Charcoal Filter - BF008



Potassium Permanganate Filter - BF007

BF400 and 450 Countertop Workstations

BF400 Countertop

Dualdraft Workstation

BF400 is a recirculating unit. Please specify filter option – either BF007 or BF008.

Potassium Permanganate

Product No. BF007

Fine Particle Activated Charcoal Media

Product No. BF008



Standard Features of the BF400 and BF450

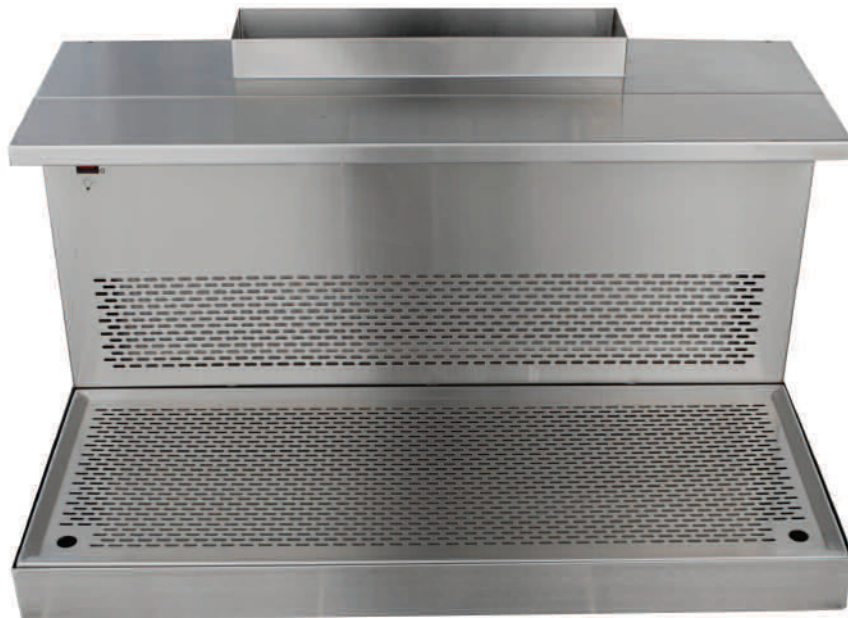
- Fluorescent light on/off switch
- Perforated Downdraft grid plate
- Circuit breaker switch
- Perforated back vent grill

Versatile Ventilated Workstation
Ideal for Grossing, Staining or
Coverslipping Procedures

BF450 Countertop

Dualdraft Workstation

BF450 requires no filter as it is an in-house ventilation unit and connects to facility ventilation.



ISO: Quality Management System in compliance with ISO 9001:2008 and applies: Design, Engineering, Manufacturing and Installation of Equipment Distribution of Supplies for Morgue, Pathology, Histology and Necropsy Applications.

APPROVAL: TUV Listed & Certified: Tests to UL61010-1 :2004 standards in addition to CAN/CSA and NFPA standards. This listing covers the entire products as an entity and not just individual components.

1

2

3

4

5

6

7

8

9

10

11

BF500 Freestanding Workstation

1

This unit incorporates many of the features of the BF400 while adding new ones for increased functionality. These features include a sturdy stainless steel leg frame, a top mounted, watertight GFCI duplex receptacle box and hand spray rinse.

BF500 is a recirculating unit. Please specify filter option – either BF007 or BF008.

2

Compact and Versatile Design

These compact workstations provide a surprisingly large work area and are ideal for dissection, small surgical procedures and staining.

3

Dualdraft

Workstation is equipped with Mopec's Dualdraft ventilation system that safely and effectively removes harmful toxic fumes—even when the work area is blocked by dissection boards or instruments. The fixed Backdraft ventilation combined with adjustable downdraft ventilation delivers approximately 30% more air-flow in front of the work area.

4

Filtering

The powerful self-contained fans evacuate all harmful formaldehyde fumes into the work envelope and are processed by the internal filtering system (BF500 requires 2 filters). Blower motors have a variable speed adjustment dial for adjusting the air flow to your desired rate. Filters are easily changed via a front access filter bay.

5

6

Large, Lighted Work Area

The BF Series features a surprisingly large 34" L x 13" W (86.3 cm x 33 cm) work area and features a grid plate. Work area is illuminated with a 24" fluorescent bulb. The pilot lighted on/off switch is located on the back panel for accessibility.

7

All Stainless Steel Construction

Frame, work surface and filtering areas are manufactured using 304 stainless steel with a #4 satin finish.

8

Easy Installation

A simple plumbing connection and standard 110 volt electrical outlet allows this unit to be placed in areas where space is limited. Unit is supplied with an nine foot (274 cm) hospital grade line cord.

9

Work Area Rinse

Featuring a 60" (152 cm) high pressure hose allows the user to rinse all areas of the work surface with a gentle spray. Spray valve assembly is constructed of durable chrome plated brass ensuring many years of reliable service.

10

Electrical

Equipped with top-mounted, watertight, GFCI duplex receptacle box.

11

ISO: Quality Management System in compliance with ISO 9001:2008 and applies: Design, Engineering, Manufacturing and Installation of Equipment Distribution of Supplies for Morgue, Pathology, Histology and Necropsy Applications.

APPROVAL: TUV Listed & Certified: Tests to UL61010-1 :2004 standards in addition to CAN/CSA and NFPA standards. This listing covers the entire products as an entity and not just individual components.



BF Series Features:

Work Surface Grid Plate:	18 Gauge, Type 304 stainless steel with a #4 satin finish
Housing:	18 Gauge, Type 304 stainless steel with a #4 satin finish
Fan System:	Dual exhaust blower, 300 CFM total
Lighting:	24" Standard fluorescent light fixture with pilot lighted on/off switch
Work Area:	34" L x 13" W (86.3 cm x 33 cm)
Power:	9' (274 cm) Hospital grade line cord
Electrical:	120Volt/60Hz/1Ph
Filters:	14" L x 7" W x 1" (183 cm x 35 cm x 2.5 cm) 2 required

Select from your choice of two (2) filter media for BF500 only (Please specify when ordering your workstation)

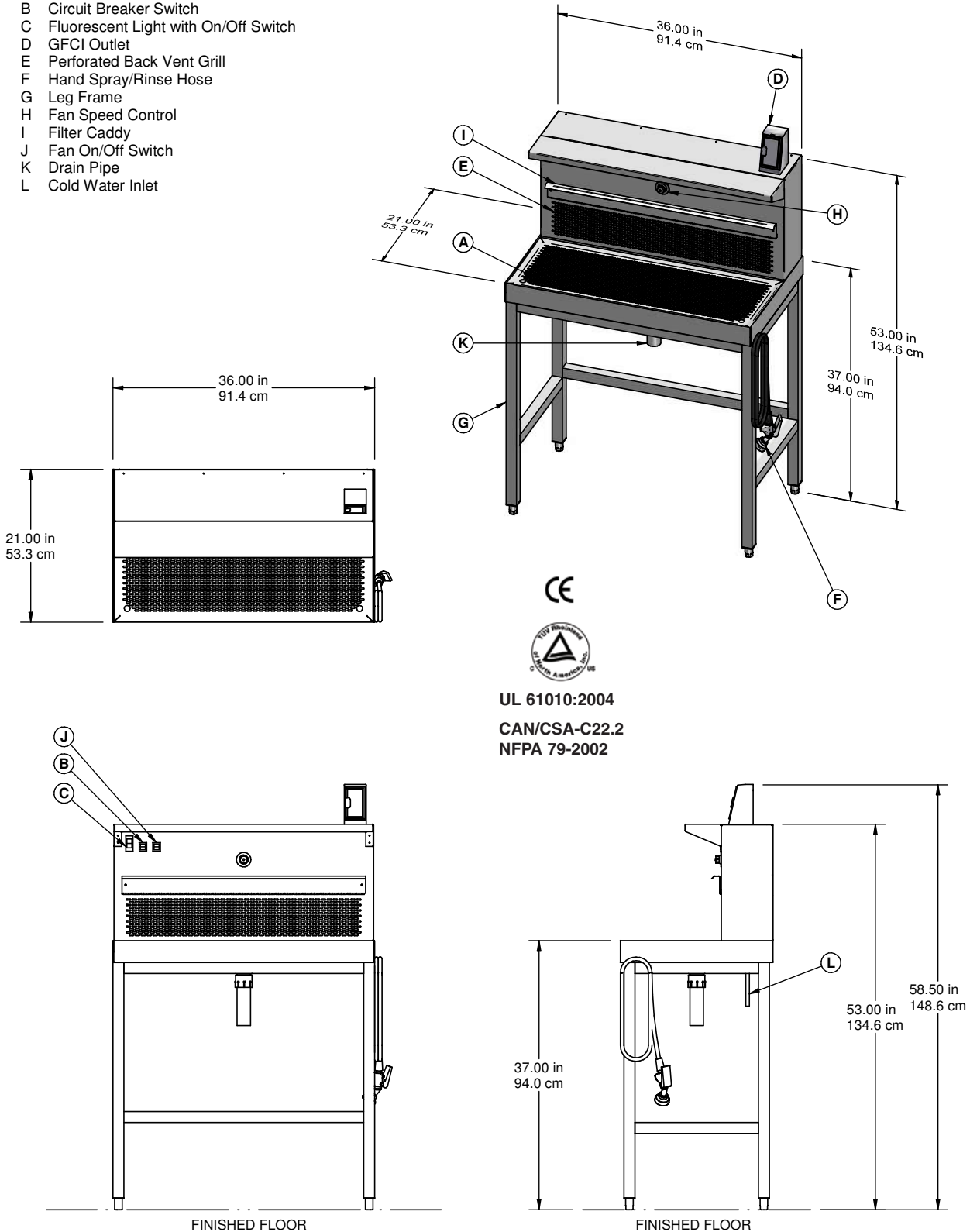
Fine Particle Activated Charcoal Media
Product No. BF008

Potassium Permanganate
Product No. BF007

BF500 Freestanding Workstation

STANDARD FEATURES

- A Perforated Downdraft Grid Plate
- B Circuit Breaker Switch
- C Fluorescent Light with On/Off Switch
- D GFCI Outlet
- E Perforated Back Vent Grill
- F Hand Spray/Rinse Hose
- G Leg Frame
- H Fan Speed Control
- I Filter Caddy
- J Fan On/Off Switch
- K Drain Pipe
- L Cold Water Inlet



BF550 Freestanding Dualdraft Workstation

1

2

3

4

5

6

7

8

9

10

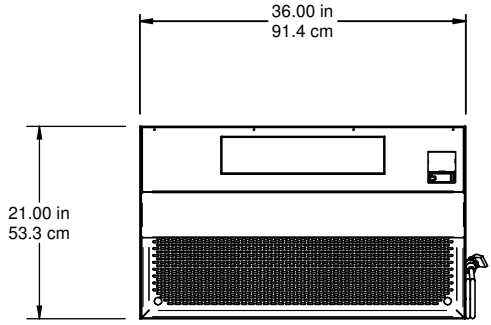
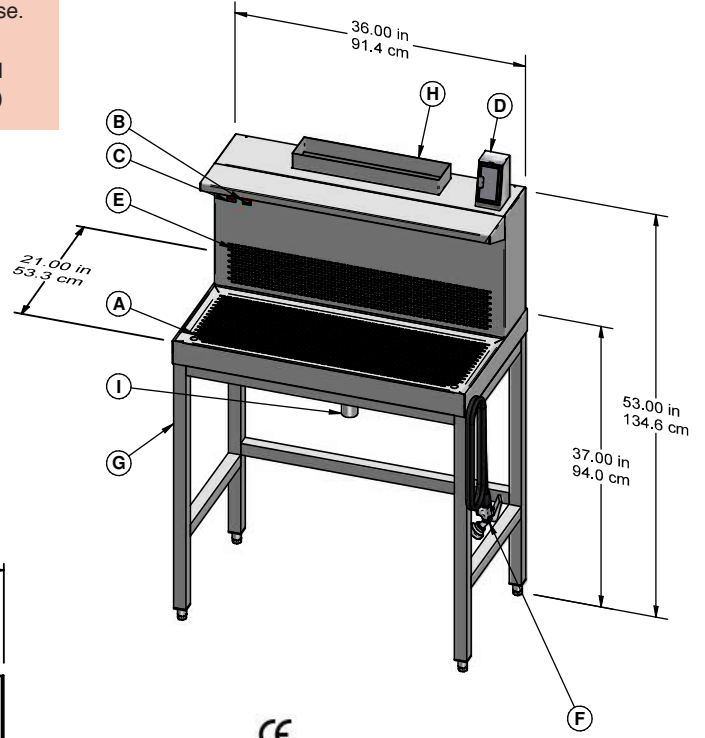
11

This is the same unit as the BF500 but with in-house ventilation. This unit incorporates many of the features of the BF400 while adding new ones for increased functionality. These features include a sturdy stainless steel leg frame, a top mounted, watertight GFCI duplex receptacle box and hand spray rinse.

Dimensions: 36" L x 21"D x 53"H
(91 cm x 53 cm x 134.6 cm)

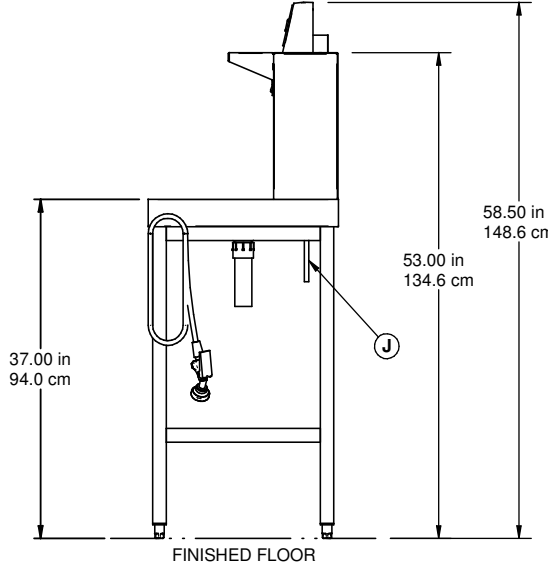
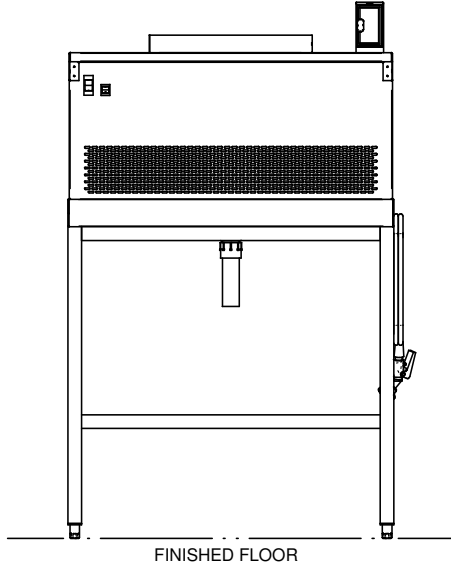
STANDARD FEATURES

- A Perforated Downdraft Grid Plate
- B Circuit Breaker Switch
- C Fluorescent Light with On/Off Switch
- D GFCI Outlet
- E Perforated Back Vent Grill
- F Hand Spray/Rinse Hose
- G Leg Frame
- H Vent Tie-in
- I Drain Pipe
- J Cold Water Inlet

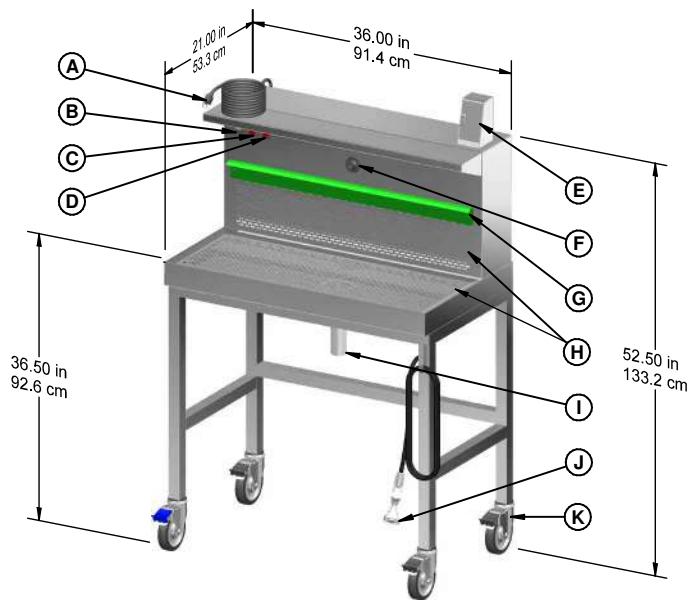


CE

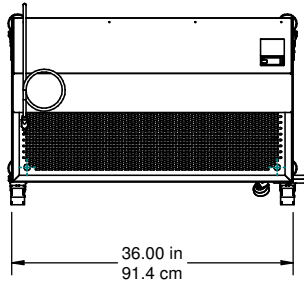
 UL 61010:2004
 CAN/CSA-C22.2
 NFPA 79-2002



BF510 Portable Workstation



TOP VIEW

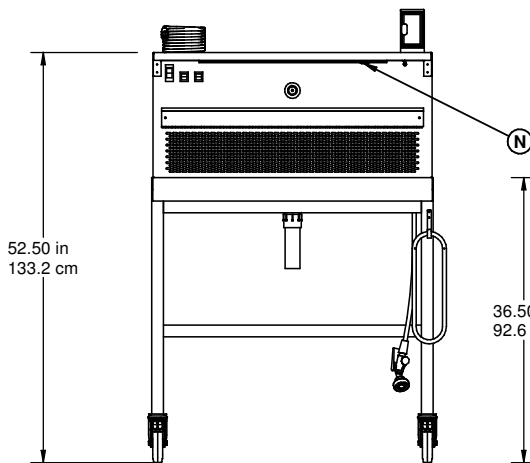


UL 61010:2004
CAN/CSA-C22.2
NFPA 79-2002

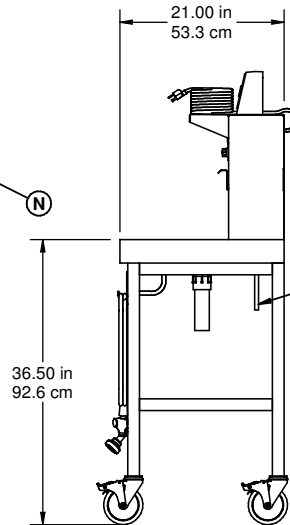
STANDARD FEATURES:

- A Power Cord
- B Master ON/OFF Switch
- C Blower System ON/OFF Switch
- D Fluorescent Light ON/OFF Switch
- E GFCI Outlet
- F Variable Speed Blower Control
- G Filter Access Door
- H Perforated Down Vent Grills
- I Drain Pipe
- J Hand Spray Rinse
- K Casters with Wheel Brake – Swivel Lock
- L Perforated Back Vent
- M Cold Water Inlet
- N Fluorescent Light

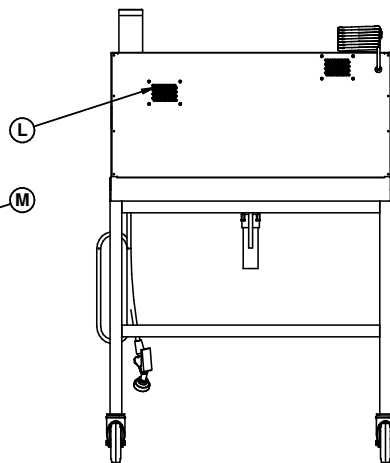
FRONT VIEW



SIDE VIEW



BACK VIEW



BF900 Dualdraft Dissecting Table

1

2

3

4

5

6

7

8

9

10

11



Board and gridplate are easily removed to reveal a large sink



Integrated 10" x 20" cutting board

BF900 Standard Features:

The BF900 workstation is equipped with Mopec's Dualdraft system that effectively removes harmful toxic fumes.

Large, Lighted Work Area

Compact, yet versatile, the BF900 features a large 30" L x 18" W (76.2 cm x 45.7 cm) work area and grid plates. The work area has an illuminated 24" fluorescent light with a top shelf for supplies. The pilot lighted on/off switch is located on the back panel for accessibility.

Frame

Fabricated of 1-1/2" square tubing, type 304 stainless steel with a #4 satin finish. Full weld joints.

Easy Installation

A simple plumbing connection and standard 110 volt electrical outlet allows this unit to be placed in areas where space is limited. Unit is supplied with an eight foot (243 cm) hospital grade line cord. An optional quick connect for plumbing is also available, please inquire. Designed for connection to facility ventilation.

Cutting Board

Integrated 20" x 10" (50.8 cm x 25.4 cm) cutting board

Sink Spray

Fabricated of a heavy-duty brass chrome plated hand held fixture with high pressure hose.

ISO: Quality Management System in compliance with ISO 9001:2008 and applies: Design, Engineering, Manufacturing and Installation of Equipment Distribution of Supplies for Morgue, Pathology, Histology and Necropsy Applications.

APPROVAL: TUV Listed & Certified: Tests to UL61010-1 :2004 standards in addition to CAN/CSA and NFPA standards. This listing covers the entire product as an entity and not just individual components.

BF Series Features:

Housing: Type 304 stainless steel with a #4 satin finish

Light: 24" Standard fluorescent with pilot lighted on/off switch

Work Area: 18" x 30" (45.7 cm x 76.2 cm)

Electrical: 120Volt/60Hz/1Ph

BF900 Optional Features

OO018 Formalin Collection System: System includes collection funnel with fine particle screen, 2.5 gallon (9.5L) waste collection carboy with easy grip handles, piping to waste carboy, quick disconnects and safety caps for disposal or recycling of formalin. Formalin not included.

UO001 Formalin Dispensing System: Includes pump and deck mounted valve. Formalin is dispensed from the cubitainer to the fixture. Does not include the formalin collection system or formalin.

BA077 Funnel with Screen: Used for formalin collection systems. Constructed of stainless steel and includes a wire mesh screen.
Funnel dimensions: 5" O.D. x 5-3/8" H (127 mm x 136.5 mm).

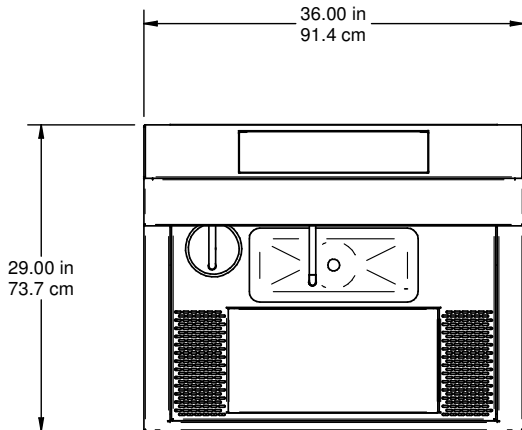
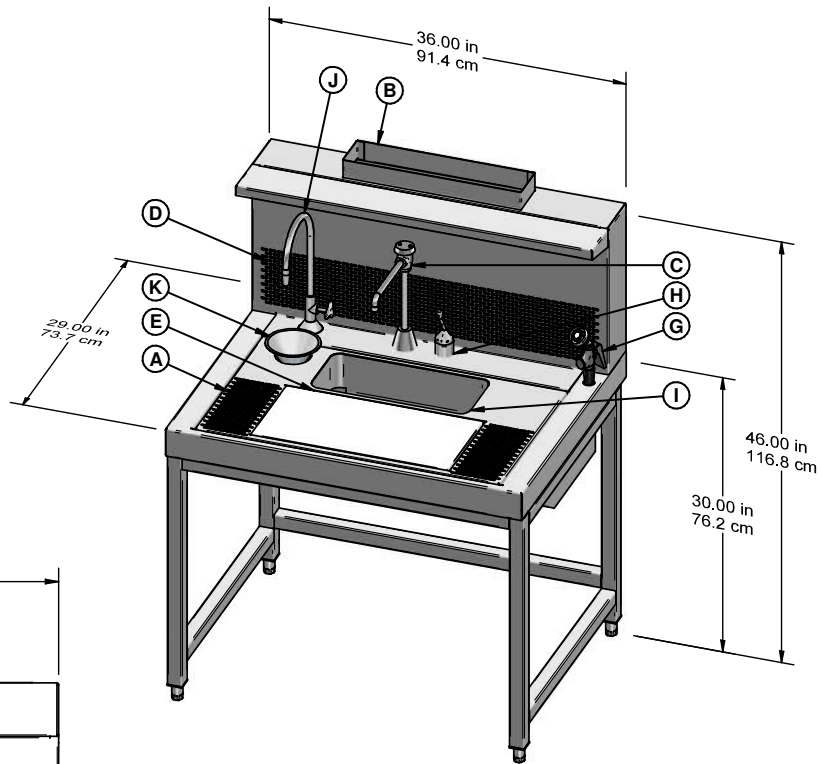
BF900 Dualdraft Dissecting Table

STANDARD FEATURES

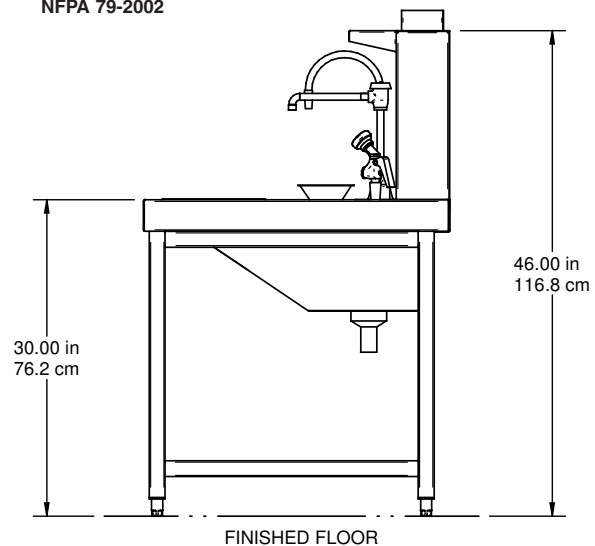
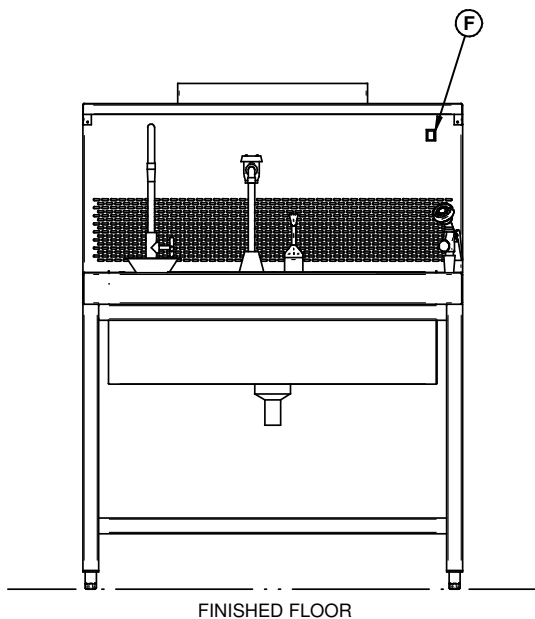
- A Vented/Removable Work Surface
- B Exhaust Vent
- C Fixture w/Swing Spout
- D Perforated Back Vent Grill
- E Inset Dissection Board
- F Fluorescent Light with On/Off Switch
- G Sink Spray
- H Mixing Valve
- I Sink – 16" x 7" x 5"

OPTIONAL FEATURES

- J UO001 Formalin Dispensing Fixture
- K OO018 Formalin Collection System



UL 61010:2004
CAN/CSA-C22.2
NFPA 79-2002



Replacement Filters

Evaluating Potassium Permanganate Filters for Replacement

1

Filters contain alumina pellets impregnated with potassium permanganate (KMnO₄), which is a fast oxidizer. Formaldehyde passing through the filter is converted to carbon dioxide and water. The filter's life depends entirely on the amount of formaldehyde fumes passing through the filter.

The pellets are bright purple when new and become dark brown when exhausted. Once the inner part of the pellet is brown it is totally exhausted and must be replaced.

This media is very effective and essentially removes all formaldehyde as long as there is active potassium permanganate available. The efficiency drops off as you approach the end of the life of the pellet. The last 15% capacity will exhibit some pass through of formaldehyde.

Procedure: One corner of the filter will have a small tab which can be bent open just enough to allow one or two pellets to be removed. To determine when the potassium permanganate has been exhausted, remove a pellet and crush it in half.

2

3

4

5

6

7

8

9

10

11

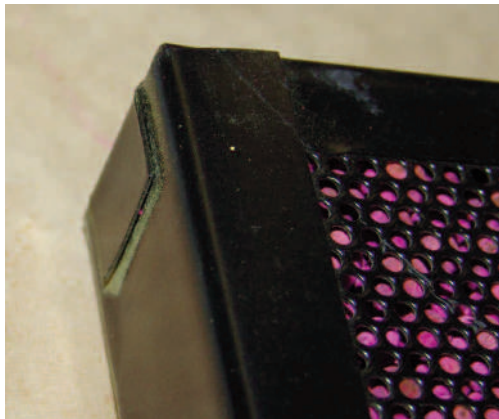
The usefulness of the filter is approximately 80% diminished when the purple color first disappears from the core.

Place the crushed pellet(s) on a paper towel and add a few drops of water. The water running off the pellet(s) should be initially purple and then turn a deep iodine color. If no purple coloration is present, the potassium permanganate is totally exhausted.

When the purple color first disappears from the core of the pellet as described above, the rate at which formaldehyde is removed from the air stream is slowed considerably.

From a practical standpoint, it may be desirable to perform these tests more frequently during initial usage of the filters to determine when the purple first begins to disappear from the core of the sliced pellet. Based on these early observations, the user can establish a replacement testing cycle involving occasional re-checks.

NOTE: A video of how to check your filter is available at www.mopec.com

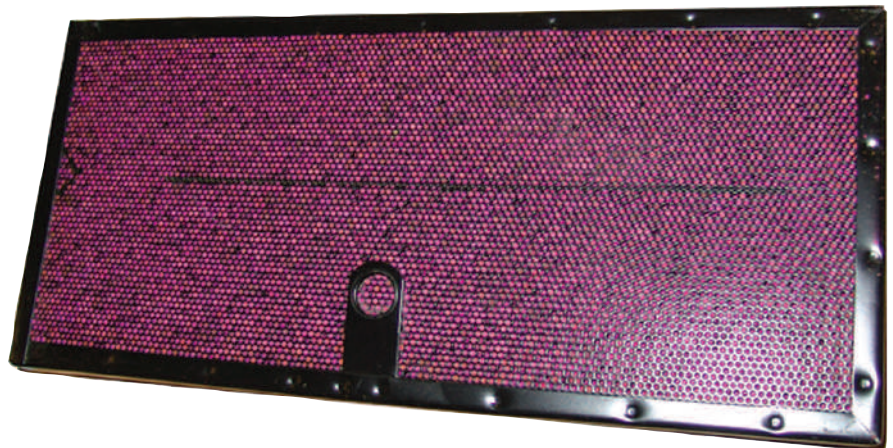


Pull back tab on filter

Health Hazard Data: Alumina Permanganate Filter Media

Effects of Exposure – The filter media is non-toxic upon oral, skin, and inhalation exposure and is non-irritant of the skin. Breathing of dust may cause sneezing. Skin may feel dry after contact. The filter media is an eye irritant.

Emergency Treatment – Flush eyes with large quantities of water and seek immediate medical attention.



Replacement Fume Exhaust Filters



Activated Charcoal Bulk - BF004

Activated Charcoal Bulk

For use with tissue processors. 3-1/4" lb. container

Product No. BF004



Charcoal Filter - BF002

Charcoal Filter

Manufactured with nearly five pounds of coconut shell-derived, disposable activated charcoal material encased in a heavy-gauge perforated metal frame.

For use with Mopec's BF710 Exhaust Module

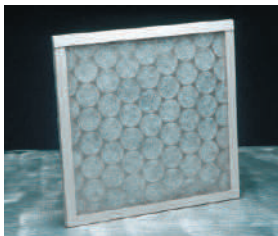
12" L x 12" W x 1" H

Order No. BF002

For use with Mopec's BF400 and BF500 Grossing Workstations

14" L x 7" W x 1" H (not shown)

Order No. BF008



Particle Filter - BF003

Particle Filter

Constructed of high efficiency polyester fiber encased in a heavy cardboard frame, disposable filters will trap and retain most particulate matter larger than 5 microns.

For use with Mopec's BF710 Exhaust Module. 11-7/8" L x 11-7/8" W x 1/2" H

Product No. BF003



Potassium Permanganate Filter - BF001

Potassium Permanganate Filters

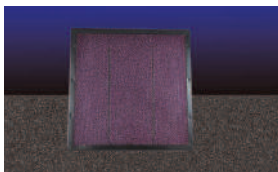
Safely absorbs and neutralizes formaldehyde fumes with powerful potassium permanganate disposable filters.

For use with Mopec's MB and ME Series Grossing Workstations.

For models prior to 2004.

Dimensions: 14" L x 6-1/4" W x 1" H

Product No. BF001



Potassium Permanganate Filter - BF005

For use with Mopec's BF Series Exhaust Fume Hoods (i.e., 710, 720, etc.)

Dimensions: 12" L x 12" W x 1" H

Product No. BF005



Potassium Permanganate Filter - BF007

For use with Mopec's BF Series Grossing/Trimming Workstations.

Dimensions: 14" L x 7" W x 1" H

Product No. BF007



Potassium Permanganate Filter - BF009

For use with Mopec's newer MB and ME Series Grossing Workstations.

Dimensions: 15-3/4" L x 4" W x 3" H

Product No. BF009

1

2

3

4

5

6

7

8

9

10

11

Ventilated Tissue Storage and Transport System

The LD500 Ventilated Tissue Storage and Transport System is the practical answer to everyday tissue storage and transfer needs. Comprised of a stainless steel storage cabinet, portable rolling rack, and top side ventilation duct; Mopec's LD500 system provides a safe and highly functional method for storing tissue samples.

The ventilated cabinet measures 34" x 30" x 85" (86.4 cm x 76.2 cm x 215.9 cm), and is constructed of double walled type 304 stainless steel. This advanced construction method ensures a sturdy stand alone cabinet; eliminating the wobbliness associated with a single cabinet. The LD500 cabinet is equipped with a self adjusting stainless steel floor section and a heavy duty, clear, Lexan® door for convenient spill cleanup and easy viewing of contents, respectively. Door may be hinged left or right.

The portable, 5 tier, shelving rack conveniently stores within the LD500 cabinet for proper ventilation of its contents, and measures 24.62" x 23.75" x 67.50" (62.6 cm x 60.3 cm x 171.4 cm). This rack eliminates the need to transfer trays and samples to other mobile carts for intra-facility transport – simply load specimens once; for both proper storage and future transport. The 5" diameter rubber casters allow for easy maneuverability throughout any hospital or laboratory facility.

The LD500 easily adapts to most laboratory ventilation systems, requiring simple field hookups. A 6" diameter duct stub is located on top of the cabinet for convenience. Shipped fully assembled.



ISO: Quality Management System in compliance with ISO 9001:2008 and applies: Design, Engineering, Manufacturing and Installation of Equipment Distribution of Supplies for Morgue, Pathology, Histology and Necropsy Applications.

Cabinet

Product No. LD500

- Includes one LD501 - Portable shelving
- No assembly required

Product No. LD501

- 25-1/4" W x 24" D x 61-3/4" H (64.1 cm x 60.9 cm x 156.8 cm)
- Five adjustable shelves
- Five tissue containment trays
Each tray has a formalin-neutralizing pad
- Four locking casters
- Optional Transport Cover Available - JZ011



Option

Product No. LD511

Formalin neutralizing pad - five per package

1

2

3

4

5

6

7

8

9

10

11

Ventilated Tissue Storage and Transport System



Containers not included



Portable Shelving

- Fully adjustable shelves (1.5" intervals) allow for virtually any size specimen container
- Stable, vinyl coated steel racks
- Removable container trays with formalin neutralizing pads
- Large 5" heavy-duty swivel casters (2 locking)
- Overall cart dimensions: 24" W x 24" D x 67-1/2" H (60.9 cm x 60.9 cm x 171.4 cm)
- Portable shelving included when ordering LD500

Product No. LD501



Optional Discreet Form Fitting Cover

Cover is made of black-out fabric. Ties on each side. There is no wrong way to put it on. Recommend dry cleaning but can be washed if put on delicate cycle.

Product No. JZ011

1

2

3

4

5

6

7

8

9

10

11

Chemical Filters

- 1
- 2
- 3
- 4
- 5
- 6
- 7
- 8
- 9
- 10
- 11

Chemical Name	Potassium Permanganate	Charcoal
Acetaldehyde	•	
Acetic Acid	•	•
Acetone	•	•
Acrolein	•	•
Acrylonitrile	•	•
Arsine	•	
Benzene		•
1,3 Butadiene	•	•
Butane		•
Butyric Acid	•	•
Carbon Disulfide	•	•
Carbon Tetrachloride		•
Chlorine		•
Chlorine Dioxide	•	•
Chloroform		•
Chloropicrin		•
Cresol	•	•
Cyclohexane		•
Cyclohexanone	•	•
1,1 Dichloroethane		•
Diethylamine	•	•
Dimethylamine	•	•
Ethanol	•	•
Ethyl Acetate	•	•
Ethyl Acrylate	•	•
Ethylamine	•	•
Ethylene	•	
Ethylene Oxide		•
Formaldehyde	•	
Formic Acid	•	•
Freon 1		•
Hydrazine	•	
Hydrogen Chloride	•	•
Hydrogen Cyanide	•	
Hydrogen Sulfide	•	
Indole		•
Isoprene	•	•
Methanol	•	•
Methyl Chloride		•
Methyl Chloroform		•
Methyl Disulfide	•	•
Methyl Ethyl Ketone	•	•
Methyl Mercaptan	•	•
Methyl Sulfide	•	•
Methyl Vinyl Ketone	•	•
Methylamine	•	•
Methylene Chloride		•
Nitric Oxide	•	
Nitrobenzene		•
Nitrogen Dioxide	•	
Nitroglycerin	•	•
Ozone	•	•
Phenol	•	•
Phosgene		•
Pyridine		•
Silane	•	
Skatole	•	•
Styrene	•	•
Sulfur Dioxide	•	
Sulfuric Acid		•
Sulfur Trioxide	•	•
Toluene		•
Trichloroethylene	•	•
Trimethylamine	•	•
Vinyl Chloride	•	•
Xylene		•

GROSSING WORKSTATIONS

Chapter 5



MG100 ErgoGross Elevating Workstation	146-151
MB Series Standard Features	152
MB Series Optional Features	153-155
MB100 Grossing Station/Countertop	156-157
MB200 Grossing Station/Countertop	158-159
MB400 Series Grossing Station	160-161
MB450 Series Grossing Station	162-163
MB670 Series Elevating Grossing Station	164-165
MB600 Series Elevating Grossing Station	166-167
MB650 Series Elevating Grossing Station	168-169
MB700 Elevating Wall Mounted Grossing Station . .	170-171
MC100 Grossing Workstation Dual	172-173
ME Series Standard Features.	174
ME Series Optional Features	175-177
ME100 Dualdraft Grossing Station	178-179
ME200 Dualdraft Grossing Station	180-181
ME300 Dualdraft Grossing Station	182-183
ME400 Dualdraft Grossing Station	184-185
ME600 & ME650 Dualdraft Workstations	186-187
MD100 Island Workstation	188-189
MK100 Elevating Grossing Station	190-191
MK200 Elevating Grossing Station	192-193
MK300 Downdraft T-Shaped Grossing Station	194-195
H Series Optional Features.	196-197
HC Series Dissecting Tables.	198-199
HG100 and HG200 Totaldraft Station	201
HG300 Totaldraft Island Station	202
HG400 Totaldraft Island Station	203
HG500 & HG600 Grossing Workstations.	204-205
HH100 ADA Compliant Grossing Station	206-207
HI100 & HL150 Dissection Table	208-209
HK Series Grossing Station	210-211
HL Series Backdraft Stations	212-213
Formalin Pump System	214
Gravity Fed Formalin Dispensing System	215
ErgoPath Chair	216

MB Series Grossing Workstations

1

2

3

4

5

6

7

8

9

10

11



Mopec workstations include many standard features and offer multiple options that allow you to customize your workstation to meet your specific needs

MB Series Grossing Workstations

The Two Best Reasons to Choose A Mopec Workstation – Your Lungs!

Life science professions call for daily exposure to strong chemicals that preserve tissue samples, but are otherwise harmful to the laboratory technicians who perform the procedures. Formaldehyde fumes, and other hazardous chemical vapors, easily irritate the respiratory system and over time can cause irreparable damage. The only solution to this occupational hazard is functional laboratory ventilation; most easily achieved by integrated workstation ventilation.

Mopec's full line of grossing stations are equipped with a unique ventilation style to match their intended procedural application.

Our MB series grossing stations come standard with our BackDraft Ventilation system whereas our ME series features Back and Downdraft ventilation.

Each unit is shipped with factory installed exhaust ducts which can be connected to facility ventilation systems. The combination of our unique ventilation configurations and your in-house system assures that all of your dissection procedures are completed in the safety zone - free of harmful vapors and irritating lab odors.

The optional self-contained recirculating exhaust filtering system has a variable speed fan control to maximize fume handling efficiency. Powerful disposable potassium permanganate filters safely absorb and neutralize formaldehyde fumes.

Safety, Ergonomics, and Efficiency

For over 20 years, Mopec has worked with industry professionals to develop new and improved methods to meet the evolving requirements in today's laboratories. All Mopec grossing stations have been carefully designed and engineered to efficiently integrate all pathology functions while maximizing: laboratory safety, ergonomics and space requirements.

At Mopec, we are proud to offer many different types of workstations that fulfill numerous roles in today's laboratories; no matter their size or intended medical sector. We realize, however, that laboratories and equipment are not the only asset to change from site to site – technicians and pathologists come in many different sizes as well. Not only do we tailor equipment to laboratories, we offer a robust elevating feature that allows for universal and ergonomic access to our equipment.

Life science professionals should not break the backs of those tasked in society's medical defense. Mopec's attentions to ergonomic comforts create a safer and more productive laboratory.

Superior Mopec Craftsmanship and Innovative Design Technology

Using state-of-the-art engineering and manufacturing technology, coupled with over 20 years of experience; Mopec's design team is able to conceive, construct, and commission projects ranging from entire laboratories - at the largest research hospitals - to the simplest single unit for the smallest facility. Mopec is an industry leader. From working hand in hand with your architects, to coordinating installations with your facilities manager, Mopec can complete the task.

Our full line of grossing stations ensure that every customer's needs are met, be it: An economical fixed workstation with

BackDraft ventilation, or a well equipped elevating grossing station with maximum ventilation requirements.

Mopec's capabilities are not fully captured in our catalog alone; our willingness and ability to quickly offer customized or modified units, at an affordable price, has been our calling card for as long as we've been in business. Skilled craftsmen custom build each product to exact specifications while adhering to strict quality standards.

Durable, Long Lasting, All Stainless Steel Construction

Mopec offers unmatched industrial quality, featuring the durability of heavy gauge stainless steel on all workstation surfaces. Unlike other grossing stations, Mopec workstations have no painted or plastic surfaces to scratch or rust. Our top-to-bottom stainless steel construction will withstand the harshest laboratory disinfectants, while maintaining an indelible satin finish for years to come.

Mopec uses only TIG welding on all seams and joints. Each weld is then ground smooth and re-grained to match the #4 satin finish on adjacent faces resulting in a smooth finish.

All work surface face joints are flush and without overlaps, using 14 gauge stainless steel on exposed surfaces. Sinks are integrally fabricated using 14 gauge stainless steel with rounded corners and no parting seams for easy cleaning.

Extensive Quality Control Program

Mopec is ISO 9001 certified and every aspect of the design and manufacturing phases are tracked for quality purposes. Prior to shipment, all equipment is factory tested under routine laboratory conditions. From consistent bends and welds, to the matched satin finish; be assured that every Mopec grossing station is built to stand up to the toughest work environment.

Easy Installation

All internal plumbing, electrical lines and vent ducts are factory installed and tested. Utility hook up is minimal and can be accomplished in minutes. Adjustable stainless steel leveling feet are included to ensure stability on uneven floor surfaces.



1

2

3

4

5

6

7

8

9

10

11

MG100 ErgoGross Elevating Workstation

1

2

3

4

5

6

7

8

9

10

11



***The Most Ergonomic Grossing Station on the Market!
Offered Exclusively by Mopec
One of the Safest Open Air Environments Available***

MG100 ErgoGross Elevating Workstation

Mopec's Next Generation Workstation

Mopec has extended their current extensive Grossing Station line with the newest addition-The MG100 Grossing Station. The most technologically advanced workstation available today. Mopec has designed within this station the latest advanced safety measures of grossing stations along with the ergonomic comfort a histologist deserves.



Ergo Friendly Work Area

Ergonomically correct, the MG100 ErgoGross Elevating Workstation allows the user to raise or lower the station to accommodate their comfort zone. This comfort zone can be as low as desk level (31-1/4") where the user can utilize a typical desk chair and work as if sitting behind a desk. If desired, the user can stand with the work surface at chest level (43-1/4") or at a tall laboratory stool. Whether you're tall, short, sitting or standing, the grossing station can be adjusted to suite the comfortable ergonomically correct height.

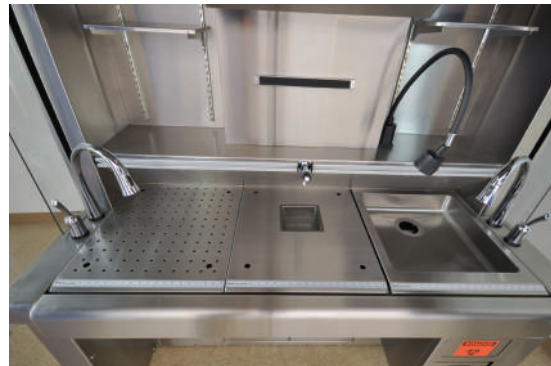


Comfort Level

Large radius forming on the front edge provides the ultimate in comfort to the technician's forearms. Long tedious grossing procedures on small specimens now are accomplished by resting your forearm on the edge of the grossing station without dipping your arms or onto the cutting board. No more prolonged supporting of your arms and/or elbows above the cutting board. The radius on the leading edge provides the comfortable surface you deserve.

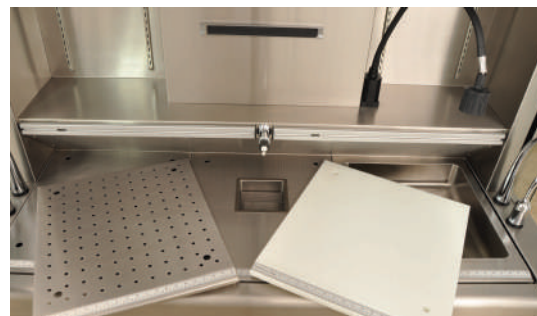
Safe Air Flow

High capacity ventilation requirements allow the pathologist the unsurpassed safety deemed necessary in their working environment. The ventilation is distributed through both the back draft and down draft. In conjunction with the ventilation is a Fresh Air Supply (FAS) on the leading edge directly in front of the cutting area. This fresh air supply helps create a laminar air flow pattern and is essentially helping push fresh air over the dissecting area towards the back/down draft. Along with side safety glass panels that help protect against side drafts the air flow pattern (i.e. ventilation) is the most impressive of all open environment grossing stations. As an option, the grossing station is also available with a large front safety glass panel which will create a dissecting environment that is completely protected from room air currents and closely resembles an environmental style protection hood.



Customization

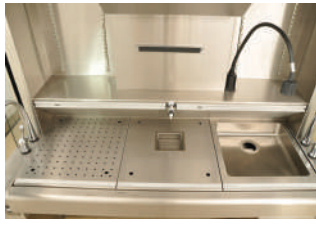
The MG100 ErgoGross Elevating Workstation is a universal design. Can be utilized as a back draft, back/down draft, right hand sink or left hand sink unit. The conversion from whatever style is desired converts in minutes without tools. Provided with perforated stainless steel down draft grid plates, solid stainless steel grid plates and solid polyethylene cutting board plates, the grossing station can be configured in less than a minute from one person to another. This will also allow the station to be configured to suite the type of grossing procedure from small biopsies to large organs and/or limbs.



- 1
- 2
- 3
- 4
- 5
- 6
- 7
- 8
- 9
- 10
- 11

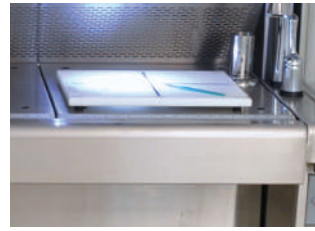
MG100 Standard Features

1



Back/Down Draft Ventilation System: The back/down draft ventilation system is the most technologically advanced system utilizing Mopec exclusive (FAS) Fresh Air System. This system connects to building ventilation system and relies on the ventilation

capacity of the facility. No fan is provided. Pre-filter provided to help prevent large dust debris from collecting within the grossing station's duct system.

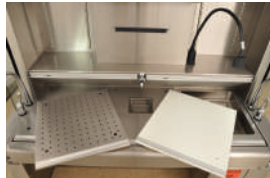


Dissecting Board: Constructed of durable polyethylene, this 16" x 23" x 3/4" (40.6 cm x 58.4 cm x 1.9 cm) textured dissection board ensures your specimen does not slip when performing a procedure.

2

3

Style Configuration: Provided with a solid stainless steel grid plate, perforated stainless steel grid plate, and a solid polyethylene cutting board. This allows for every conceivable configuration allowing "on the fly" configuration to accommodate grossing style or necessity.



Large Rinse Sink: Large 17" x 18" x 4" (43 cm x 45.7 cm x 10.1 cm) deep sink is integrally constructed within a universal grid plate with radius corners for easy cleaning. Drain stopper provided with stainless steel pull handle.

4

5



Hot/Cold Water Fixture: The water is turned on and off with just a touch anywhere on the spout or handle, making it virtually hands free. The high arc design provides easy access to rinse large specimens or fill large containers with fresh water. The Built

in table sprayer head allows for a gentle aerated spray or a courser spray to rinse stubborn accumulation of debris. The spray head is conveniently located in the spout allowing for easy access and secure docking.



Organizer Bins: One large and one small stainless steel organizer bin. Located above the back draft ventilation grill.

6

7

Inch/Centimeter Ruler: Washable and easy to read with a special coating protecting the scale from harsh chemicals. Ruler is provided on all grid plates.



Magnetic Tool Bar: Conveniently mounted tool bar organizes and stores your most commonly used instruments easily within reach.



Adjustable Storage Shelf: (4) Heavy duty stainless steel 8" x 14" (20.3 cm x 35.5 cm) storage shelving. Adjustable arms to vertically accommodate storage needs.

8

9



LED Lighting: Bright white (3100° K) LED light with accurate color rendering has a powerful point source of light that swivels. The most energy efficient light available with no harmful ultraviolet (UV) rays. Long life LED's (up to 60,000

hours).



Table Flushing System: Electronically controlled flushing bar located beneath the grid plates helping to eliminate the accumulation of biological debris and residual formalin fluid/fumes. Controls are provided by and on/off switch located in the upper canopy.

10

11

Electrical Receptacles: Watertight ground fault circuit interrupter duplex receptacles are utilized and are mounted under the upper chamber. GFCI Type 115v-60Hz-1ph-1circuit-20amps. (2 ea).



Paper Towel Holder: Designed to hold "roll" type or "C" fold (4" x10") paper towel.



Ventilated Trash Container: 13.5"x 8-3/4" x 13" Deep, removable, 5 gallon capacity. Self supporting, the trash container is provided with a spring activated trash chute and automatically connects to the ventilation system and can be moved within minutes from the right or left inner skirt area. Connects to grossing station ventilation system

Cable Management: Internal cable wire ways.

ISO: Quality Management System in compliance with ISO 9001:2008 and applies: Design, Engineering, Manufacturing and Installation of Equipment Distribution of Supplies for Morgue, Pathology, Histology and Necropsy Applications.

APPROVAL: TUV Listed & Certified: Tests to UL61010-1 :2004 standards in addition to CAN/CSA and NFPA standards. This listing covers the entire products as an entity and not just individual components.

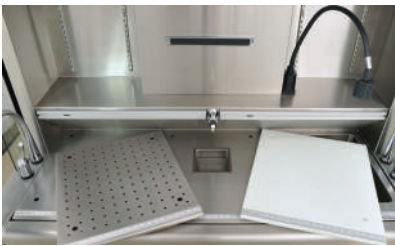
MG100 Optional Features



Ergonomic standing position



Lowered position



Style configuration universal fit



Outstanding ventilation



Dual function faucet spray and touch control



Ergonomic sitting position



Raised position

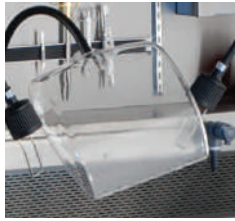
- 1
- 2
- 3
- 4
- 5
- 6
- 7
- 8
- 9
- 10
- 11

MG100 Optional Features

1

MO061 High Capacity Self Contained Exhaust System: The air ventilation is distributed through both the back draft and down draft via a high static load fan system. In conjunction with the ventilation is a fresh air supply (FAS) on the leading edge directly in front of the cutting area. This fresh air supply helps create a laminar air flow pattern and is essential in helping push fresh air over the dissecting area towards the back/down draft. The system is provided with a pre-filter designed to remove large dust particles, a large capacity potassium permanganate formalin neutralizing filter and MERV type high efficiency exhaust filter. Along with side safety glass panels that help to protect against side drafts the air flow pattern (i.e. ventilation) is the most efficient of all open environment grossing stations.

2



MO062 Safety Splash Shield: Removable 11" x 12" Lexan® shield on flexible arm for easy positioning.

3

4

5



MO063 Video Camera Arm: Designed with a central locking knob that lock's all joints simultaneously. This camera arm is the fastest arm set-up available. Located within an aluminum extrusion, the video camera arm can be located anywhere along the length of the grossing station on the upper canopy.

6



MO064 Still Photography Camera Arm: Designed with a central locking knob that lock's all joints simultaneously. This camera arm is the fastest arm set-up available. Located within an aluminum

extrusion, the video camera arm can be located anywhere along the length of the grossing station just above the back draft ventilation grill.

7

8

MO065 Formalin Collection System: Includes collection funnel with fine particle screen, 2.5 gallon (9.5L) waste collection carboy with easy grip handles, piping to waste carboy, quick disconnects and safety caps for disposal or recycling. Formalin not included.

9

MO067 Formalin Dispensing System: Includes self priming pump, pressure switch and slide out stainless steel drawer for 2.5 (9.5L) gallon formalin cubitainer. Allows for self sealing connections.



MO066 Literature/Form Holder: Lexan® literature dispenser capable of holding 1" thick letter-size documents for easy handling and distribution. Three (3) tier upright dispensing.

10

11

MO068 CPU Mounting Bracket Side Mount: Adjustable mounting bracket for your provided CPU, keyed to mounting plate with two pins for easy installation or removal. Includes additional water tight GFCl; located opposite of sink and outside of the sink.

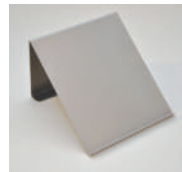
MO070 Computer Monitor/Keyboard Support: Unique support system that can be positioned over the full length of the grossing station and tilted to accommodate the technicians needs.



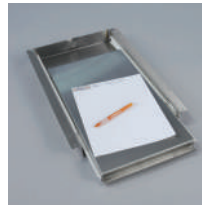
MO072 LED Gooseneck Task Light: Bright white (3100° K) LED light with accurate color rendering with powerful point source of light that swivels to direct light. The most energy efficient light available with no harmful ultraviolet (UV) rays. Long life LED's (up to 60,000 hours).



MO073 LED Task Light Magnifiers: Hands free poly magnifier with 4x magnification.



MO075 Dictation Equipment Stand: Angled surface for easy viewing of most dictation systems. Dictation stand is portable and can be placed anywhere. Stainless steel construction.



MO076 Combination Ledge and Pencil Drawer: Convenient pull out writing ledge and utility drawer made of stainless steel construction.

MO085 Large Glass Front Panel

MO086 Stainless Steel Sink Grid Plate

MO087 Stainless Steel Perforated Grid Plate

MO088 Stainless Steel Solid Grid Plate

MO089 Stainless Steel Formalin Collection Grid Plate

MO090 Solid Polyethylene Cutting Board Grid Plate



BL800 Disposal: Heavy-duty 1HP disposal, complete with on/off switch, water solenoid and vacuum breaker protection.

SA100 Seismic Anchoring System: Anchoring brackets only. Does not include seismic calculations.

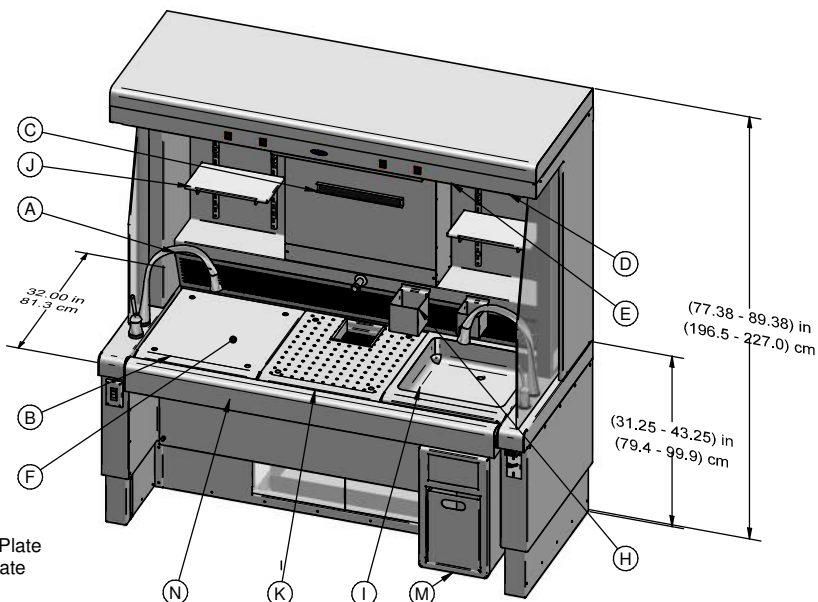
REPLACEMENT FILTERS

BF021 Potassium Permanganate filter for MG100
BF022 MERV type high efficiency filter for MG100

MG100 ErgoGross Elevating Workstation

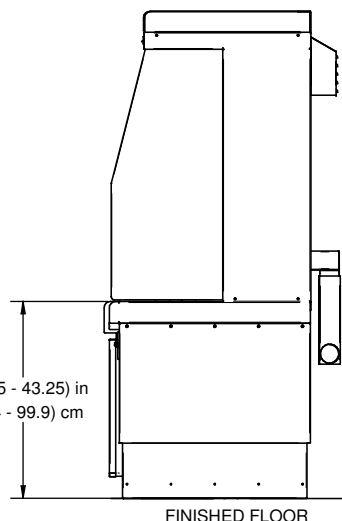
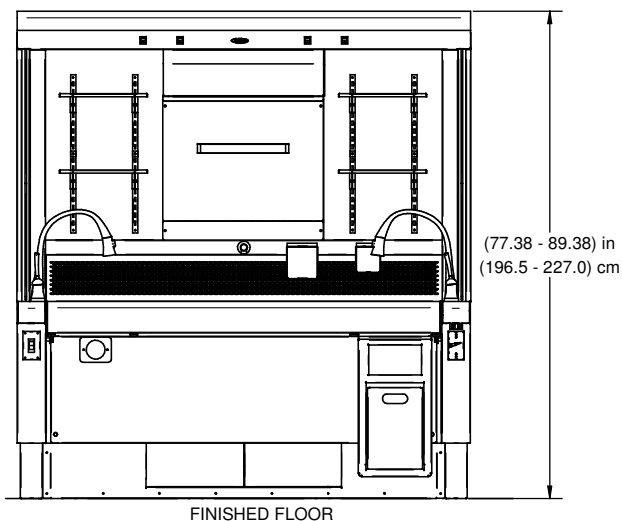
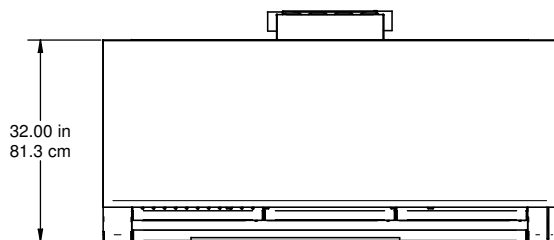
Optional Features MG100

- MO067 Formalin Dispensing System
- MO065 Formalin Collection System
- MO075 Dictation Equipment Stand
- MO061 Self Contained Exhaust System
- MO062 Safety Splash Shield
- MO072 LED Task Lighting
- MO073 LED Task Lighting Magnifier
- MO063 Video Camera Arm
- MO064 Photography Camera Arm
- MO066 Literature/Form Holder
- MO071 Ventilated Trash Container on Casters
- MO068 CPU Mounting Bracket
- MO070 Computer Monitor/ Keyboard Support
- MO074 Removable Writing Ledge
- BL800 1 hp Disposal
- SA100 Seismic Anchoring System
- MO076 Combo Writing Ledge & Pencil Drawer
- MO085 Large Glass Front Panel
- MO086 Stainless Steel Sink Grid Plate
- MO087 Stainless Steel Perforated Grid Plate
- MO088 Stainless Steel Solid Grid Plate
- MO089 Stainless Steel Formalin Collection Grid Plate
- MO090 Solid Polyethylene Cutting Board Grid Plate



Standard Features MG100

- A. Hot/Cold Water Fixture with built in Table Spray
- B. Inch/Centimeter Ruler
- C. Magnetic Tool Bar
- D. LED Lighting
- E. Electrical Receptacles (2-Ea.)
- F. Dissection Board
- G. Paper Towel Holder (Not Shown)
- H. Organizer Bins
- I. Large Rinse Sink
- J. Adjustable Storage Shelf (4-Ea.)
- K. Table Flushing System
- L. Cable Management (Not Shown)
- M. Ventilated Trash Container
- N. Fresh Air Supply (FAS) System



MB Series Standard Features

1

Hot/Cold Water Fixture

Swing spout faucet has easily accessible wrist blade handles for hot and cold water control.

Available on all models



Small Specimen Sink

This centrally located, 5" x 10" x 3" (12.7 cm x 25.4 cm x 7.6 cm) deep, sink is ideal for: washing small specimens and cleaning/disinfecting instruments. Includes faucet and wrist blade handles for hot and cold water control.

Available on: MB100

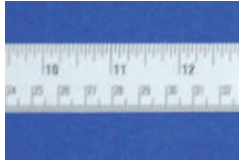


2

Replaceable Ruler Inch/Centimeter

Washable, easy-to-read, inch and centimeter scale. A special coating protects the scale from most chemicals used in the lab. (Two standard on MB450 and MB670 models)

Available on all models



Large Rinse Sink

Large, 19" x 14" x 10" (48.3 cm x 35.6 cm x 25.4 cm) sink is integrally constructed with broad radius corners for easy cleaning.

Not available on: MB100



3

4

Magnetic Tool Bar

Conveniently mounted tool bar organizes and stores your most commonly used instruments within reach. (Two standard on MB450 and MB670 models). Instruments not included.

Available on all models



Adjustable Storage Shelf

14" x 7" (35.5 cm x 17.7 cm), stainless steel, shelf vertically adjusts to accommodate storage needs. Two standard on MB450 and MB670 models.

Available on all models

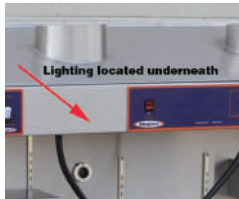


5

Recessed Fluorescent Lighting

The work surface is illuminated by a high output, high efficiency, fluorescent light fixture that is mounted under the overhead control panel.

Available on all models



Set of Stainless Steel Organizer Bins

Consists of one large and one small stainless steel bin, plus mounting rack. Attaches to unit above grill. Two sets standard on MB450 and MB670 models. Additional bins available order - MB039 or MB049.

Available on all models



6

7

Electrical Receptacles

Conveniently mounted under the control panel is one watertight 115 volt GFCI duplex receptacle for safe use of all electrical devices. Two standard on MB450 and MB670 models.

Available on all models



Backdraft Ventilation

The Mopec Backdraft System pulls odors, vapors, and toxic air away from the user.

Available on all models



8

9

Dissection Board

Constructed of durable polyethylene, this 16" x 23" x 3/4" (40.6 cm x 58.4 cm x 1.9 cm) textured dissection board ensures your specimen does not slip when performing a procedure. Two standard on MB450 and MB670 models. Photo Blue available, see Dissecting Board Section

Available on all models



Paper Towel Dispenser

Stainless steel paper towel dispenser, conveniently located over the sink area for easy access.

Available on all models



Mopec designs workstations with many standard features not found with most other suppliers. This craftsmanship is superior, making your equipment last longer.

MB Series Optional Features

MB001 Self Contained Exhaust System - Single

This single motor, dual blower, air-filtration system comes complete with: pilot lighted on/off switch, variable speed control and integral filter caddy. Utilizes two potassium permanganate filters, which allow for an independent means of filtering ventilated work surface air - eliminates the need to tie into building ventilation systems. Requires two filters (BF009)

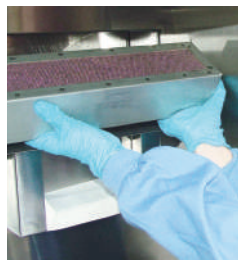
Available on: MB100 and MB200



MB005 Self-Contained Exhaust System - Dual

Self contained air-filtration system equipped with TWO single motor, dual blower units. Comes complete with: pilot lighted on/off switch, variable speed control (for one fan only) and integral filter caddy. Utilizes three potassium permanganate filters, which allow for an independent means of filtering ventilated work surface air - eliminates the need to tie into building ventilation systems. Requires three filters (BF009.)

Not available on: MB100 and MB200



MB004 Dictation Equipment Stand

Angled surface for easy viewing and operating of most dictation systems. Dictation stand is portable and can be placed anywhere. Constructed of stainless steel.

Available on all models



MB006 Leg Frame

Leg frame option allows for a free standing grossing station while preserving counter top space. Fabricated of 1-1/2" square, heavy wall, stainless steel tubing with adjustable leveling feet to accommodate uneven floors.

Available on: MB100 and MB200



MB020 Literature/Form Holder

Three tier Lexan® literature dispenser capable of holding 1" (2.5 cm) of letter sized documents for easy handling and reference.

Available on all models



MB007 Foot Pedal

Includes a dual foot pedal H/C water control valve and swing spout faucet for hands free control. Eliminates the need for wrist blade handles with this option. Not compatible with MB047 Pneumatic Foot Pedal.

Available on all models



BL007 Laboratory Mixing Faucet

Dual hand/foot water control faucet includes wrist blade handles. For use with standard foot pedals.

Available on all models

MB047 Pneumatic Foot Pedal

Pneumatic foot operated water control. Toggles on/off with the press of your foot. Requires hand operated mixing valve next to faucet. Not compatible with option MB007 foot pedal.

Available on all models



BL047 Laboratory Mixing Faucet

Dual hand/foot water control faucet includes wrist blade handles. For use with pneumatic foot pedals.

Available on all models

MB008 Flammable Storage Cabinet

Lower base cabinet designed to hold flammable liquids, this 22 gallon (22.8 L) capacity cabinet features adjustable shelving for easy, safe, and versatile storage. Not compatible with MB041 Combination Ledge and Pencil Drawer.

Available on: MB400



MB009 Perimeter Rinse

Provides a consistent, three-sided, rinse to work surface. Virtually eliminates the accumulation of debris and fluids in the dissection area. Control valve included for water flow adjustment.

Available on all models



1

2

3

4

5

6

7

8

9

10

11

MB Series Optional Features

1

MB012 Hand Spray Rinse

Chrome plated, brass hand sprayer with soft spray head for controlled rinsing of work surface. Complete with 60" (152.4 cm) high pressure hose for heavy-duty use. Control valve included for pressure control, along with atmospheric vacuum breaker for water protection.

Available on all models



MB016 Halogen Task Lighting – Dual

Two 20 watt halogen lights, centered over the dissection area. Mounted overhead with 20" (50.8 cm) flexible arms allowing for easy positioning of task lights. Replacement halogen bulbs available - order BB039

Available on all model

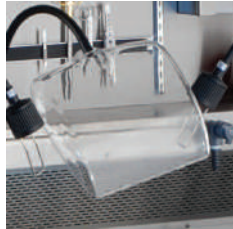


2

MB011 Safety Splash Shield

Clear Lexan® shield, on a flexible arm for easy positioning. Provides an additional splatter barrier between you and the specimen.

Available on all models



MB026 Ventilated Trash Receptacle

Removable ventilated 12 gallon (45.4 L) trash container. Clear flexible ventilation hose (included) connects trash container to grossing station's ventilation system.

Available on all models



3

4

MB015 Video Camera Arm

Facilitates the easy positioning of your video camera over the length of your grossing station via an articulated arm and aluminum slide extrusion. Video camera not included.

Available on all models



MB050 Mobile Ventilated Trash Receptacle

Ventilated 12 gallon (45.4 L) trash container on 3" casters to ease pullout and bag changes. Clear flexible ventilation hose (included) connects trash container to grossing station's ventilation system.

Available on all models



6

7

MB017 Camera Stand

Vertically mounted anodized aluminum and stainless steel camera stand with adjustable arm. Capable of supporting both digital and 35MM type cameras. Camera not included.

Available on all models



MB029 Computer CPU Bracket

Adjustable mounting bracket for your CPU, keyed to mounting plate with two pins for easy installation or removal. Includes additional water tight CFGI; located opposite of sink and outside of the sink.

Available on all models



8

9

MB013 Halogen Light Magnifier (single)

Hands free poly magnifier with 4x magnification. Must order with either: MB016 Halogen Task Lighting - Dual or MB022 Halogen Task Light - Single

Available on all models



MB049 LCD Flat Screen/Keyboard Arm Mount System

Allows easy positioning of your mounted flat screen and keyboard for greater visibility. Effortlessly reposition your display up, down, forward, and/or back to the most comfortable interactive position for seated or standing use. Flat screen, monitor, keyboard and computer not included.

Available on all models



10

11

MB022 Halogen Task Light Single

One 20 watt halogen light centered over the dissection area. Mounted overhead with a 20" flexible arm allowing for easy positioning of task light. Replacement halogen bulbs available - order BB039.

Available on all models



MB Series Optional Features

MB031 Removable Writing Ledge

Add an additional writing surface to your grossing station with the twist of a knob. Just slide over the sink and you have an extended writing or work ledge that is easily removable.

Not available on: MB100



MB041 Combination Ledge and Pencil Drawer

Convenient pull out writing ledge and utility drawer made of stainless steel construction.

Available on all models



MB048 Additional Stainless Steel Shelf

14" x 8" (35.5 cm x 20.3 cm), stainless steel shelf vertically adjusts to accommodate storage needs.

Not available on: MB100 and MB200



MB003 Formalin Dispensing Carboy

2.5 gallon (9.4 L) capacity dispensing container, molded of highly resistant polyethylene. Formalin not included.

Available on all models



MB051 Formalin Dispensing System - Cubitainer style

System includes self priming pump, with pressure switch, and slide out stainless steel drawer for 2.5 (9.5 L) gallon formalin cubitainer. Allows for self sealing connections.

Not available on: MB100



MB019 Formalin Collection System

System includes: collection funnel with fine particle screen, 2.5 gallon (9.5L) waste collection carboy with easy grip handles, piping to waste carboy, quick disconnects and safety caps for disposal or recycling. Formalin not included. Additional Fine Particle Screen order BA077

Not available on: MB100



BL800 Waste Disposal

Heavy-duty 1 HP disposal, complete with on/off switch, water solenoid, and vacuum breaker.

Not available on: MB100



CP001 Communication Port

Two port Ethernet receptacle allows for connection to in house network. Requires facilities network tie-in.

Available on all models



CP002 Communication Wire Chase

Conduit organizes network cables, eliminating clutter around your workstation

Available on all models



SA100 Seismic Anchoring Bracket

Heavy duty vibration control mounts provides a solution for facilities with seismic requirements.

Available on all models

Mopec has developed a complete line of grossing stations to fit your individual laboratory requirements. Each workstation can be customized with a variety of options - all at an affordable price

1

2

3

4

5

6

7

8

9

10

11

MB100 Grossing Station/Countertop

1

2

3

4

5

6

7

8

9

10

11



MB100 shown with optional MB006 leg frame



Ideal for laboratories with space constraints, the MB100 is a compact workstation that rests on a countertop and saves valuable floor space. It may also serve as a secondary station in larger, busier, facilities that require an additional work surface to meet spikes in demand. The MB100 also features Mopec's Backdraft Ventilation System; safely pulling specimen odors and off-gas away from technicians - ensuring a safe work environment for your employees.

The versatile MB100 maximizes work space with standard conveniences such as: recessed fluorescent lighting, a small specimen sink and a swing spout faucet with wrist blade handles. The unit can also be converted into a freestanding unit, with the optional stainless steel leg frame (MB006).

ISO: Quality Management System in compliance with ISO 9001:2008 and applies: Design, Engineering, Manufacturing and Installation of Equipment Distribution of Supplies for Morgue, Pathology, Histology and Necropsy Applications.

APPROVAL: TUV Listed & Certified: Tests to UL61010-1 :2004 standards in addition to CAN/CSA and NFPA standards. This listing covers the entire product as an entity and not just individual components.

Standard features included on the MB100



Recessed Fluorescent Lighting



Magnetic Tool Bar



Hot/Cold Water Fixture



Paper Towel Dispenser

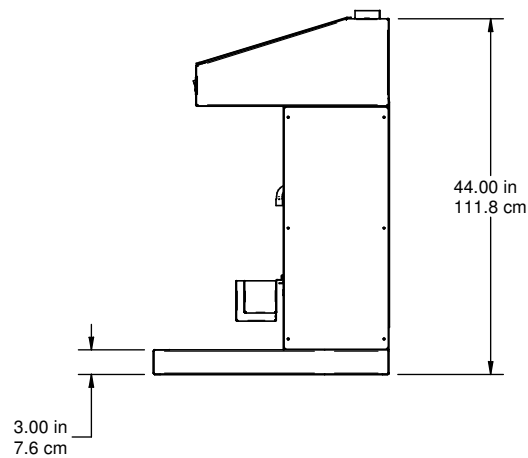
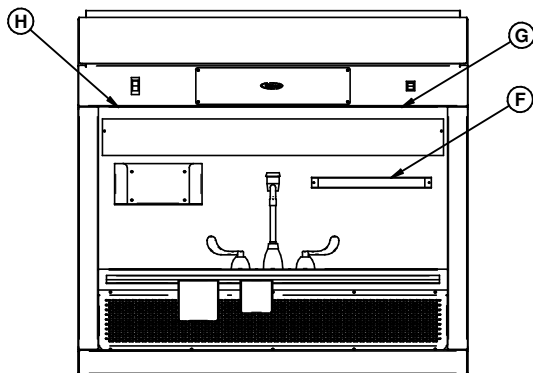
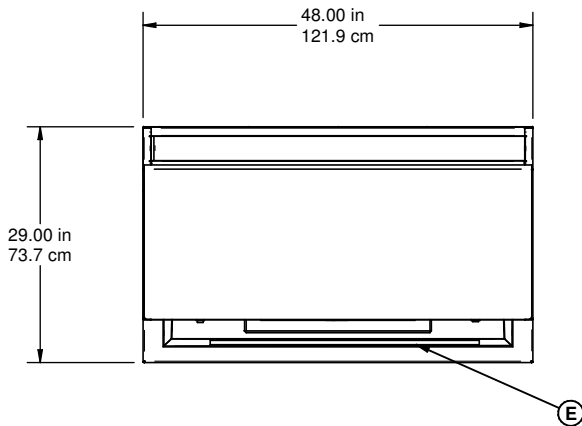
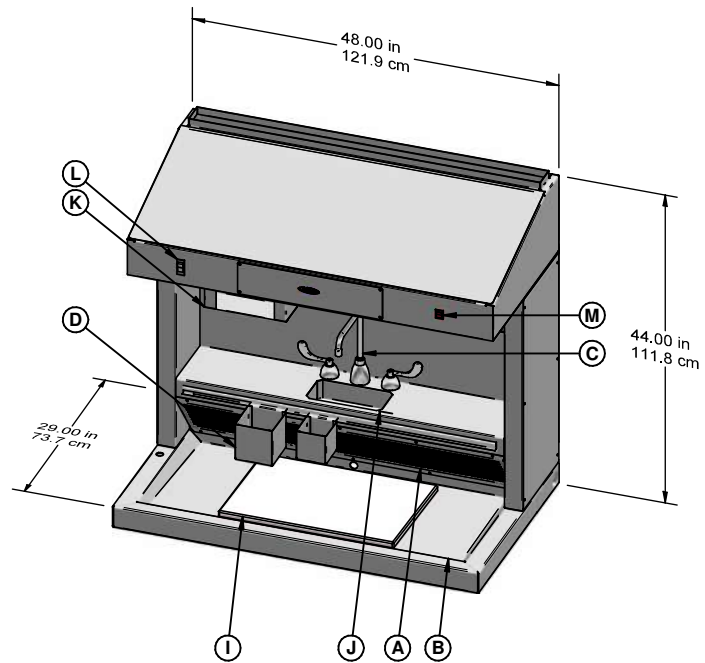
MB100 Grossing Station/Countertop

STANDARD FEATURES

- A Back-Draft Ventilation
- B Recessed Work Surface
- C Fixture w/Swing Spout
- D Organizer Bins (1 Large, 1 Small)
- E In/cm Ruler
- F Magnetic Tool Bar
- G Recessed Fluorescent lighting
- H GFCI Electrical Outlet
- I Dissection Board
- J Specimen Sink
- K Towel Dispenser
- L Main Circuit Breaker Switch
- M Fluorescent Light Switch

OPTIONAL FEATURES

- See Options List



UL 61010:2004
CAN/CSA-C22.2
NFPA 79-2002



MB200 Grossing Station/Countertop with Large Sink

1

2

3

4

5

6

7

8

9

10

11



MB200 modified

Designed to maximize your floor space, the MB200 is a compact countertop workstation featuring one of the deepest sinks in the industry. This 19" x 14" x 10" deep (48.2 cm x 35.6 cm x 25.4 cm), integrally constructed, sink offers limitless utility for the smallest to even the largest labs. The deep sink allows for convenient handling of large specimens and/or containers, while receiving proper ventilation and resting easily upon a countertop. Mopec's Backdraft Ventilation System safely pulls specimen odors and off-gas away from the end user - ensuring a safe laboratory work environment.

The flexible MB200 easily incorporates itself into your routine workflow. In addition to the large sink, standard conveniences such as recessed fluorescent lighting, sloped work surface, and swing spout faucet with wrist blade handles will simplify the grossing process. The station can also be converted into a freestanding unit with the optional stainless steel leg frame (MB006). Note: Right hand sink is standard, if left hand sink is desired, please specify when ordering.



MB200 shown with optional MB006 Leg Frame, Dictation Stand (MB004) and Formalin Dispensing Carboy (MB003)

ISO: Quality Management System in compliance with ISO 9001:2008 and applies: Design, Engineering, Manufacturing and Installation of Equipment Distribution of Supplies for Morgue, Pathology, Histology and Necropsy Applications.

APPROVAL: TUV Listed & Certified: Tests to UL61010-1 :2004 standards in addition to CAN/CSA and NFPA standards. This listing covers the entire product as an entity and not just individual components.

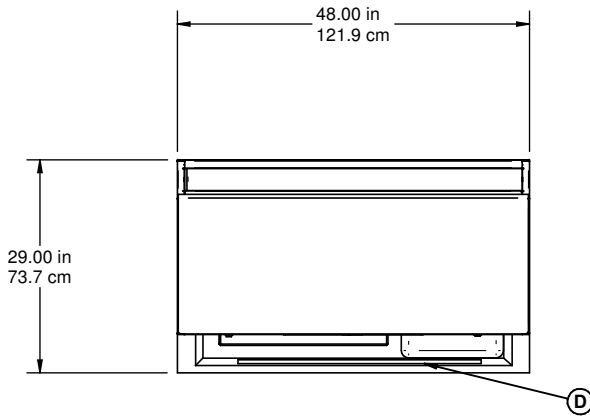
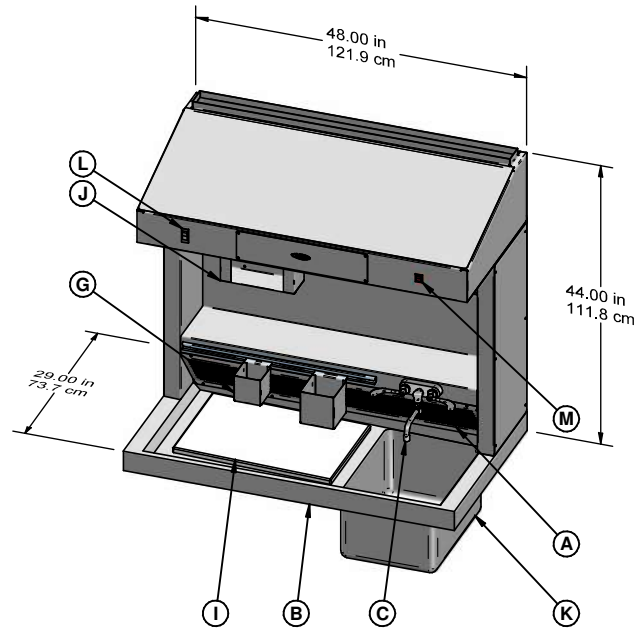
MB200 Grossing Station/Countertop

STANDARD FEATURES

- A Back-Draft Ventilation
- B Recessed Work Surface
- C Fixture w/Swing Spout
- D In/cm Ruler
- E Magnetic Tool Bar
- F Recessed Fluorescent lighting
- G Organizer Bins (1 Large, 1 Small)
- H GFCI Electrical Outlet
- I Dissection Board
- J Towel Dispenser
- K Sink – 19" x 14" x 10"
- L Main Circuit Breaker Switch
- M Fluorescent Light Switch

OPTIONAL FEATURES

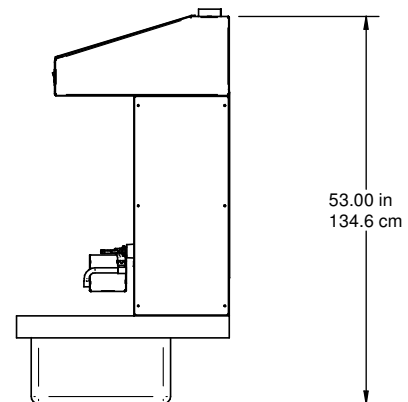
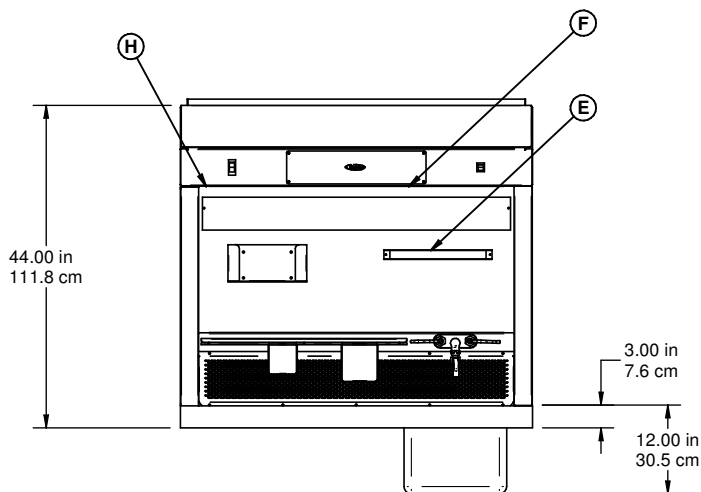
- See Options List



CE



UL 61010:2004
CAN/CSA-C22.2
NFPA 79-2002



MB400 Grossing Station

Free Standing Floor Model

1

2

3

4

5

6

7

8

9

10

11



MB400 shown with foot pedal option and additional optional features

Designed for any sized laboratory, the MB400 is a medium sized freestanding grossing station that is 12" longer than our MB200. Featuring a sloped work surface, integrally constructed large 19" x 14" x 10" sink (48.3 cm x 35.6 cm x 25.4 cm), and Mopec's Backdraft Ventilation System. The MB400 provides ample work space and the standard conveniences needed to perform the most demanding grossing procedures. The Backdraft Ventilation System provides direct ventilation to the work surface, pulling specimen odors and off-gases away from the end user and ensuring a safe laboratory work environment.

Built with a base cabinet and leg frame, the MB400 can be placed virtually anywhere and easily incorporates itself into your workflow. Designed according to standard architectural parameters, it will fit into most cabinet schemes as well and expand your lab's grossing capacity.

Note: Right hand sink is standard, if left hand sink is desired, please specify when ordering.

Note: Flammable Storage Cabinet (MB008) option is not compatible with combination Ledge and Pencil Drawer (MB041) and adds an extra inch to overall and work surface height.



MB400 shown with optional features



MB400 featuring the optional Formalin Collection System, Flammable Storage Cabinet and custom built Lexan® canopy

ISO: Quality Management System in compliance with ISO 9001:2008 and applies: Design, Engineering, Manufacturing and Installation of Equipment Distribution of Supplies for Morgue, Pathology, Histology and Necropsy Applications.

APPROVAL: TUV Listed & Certified: Tests to UL61010-1 :2004 standards in addition to CAN/CSA and NFPA standards. This listing covers the entire product as an entity and not just individual components.

MB400 Grossing Station

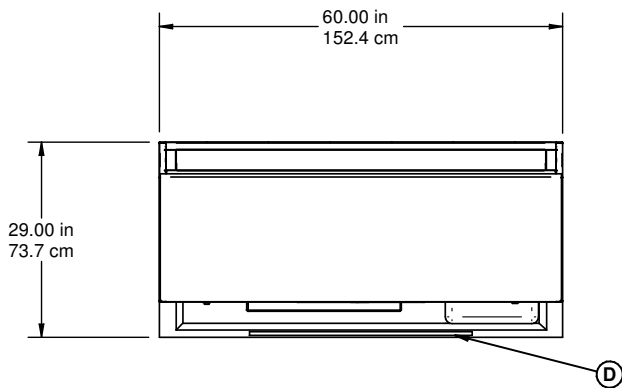
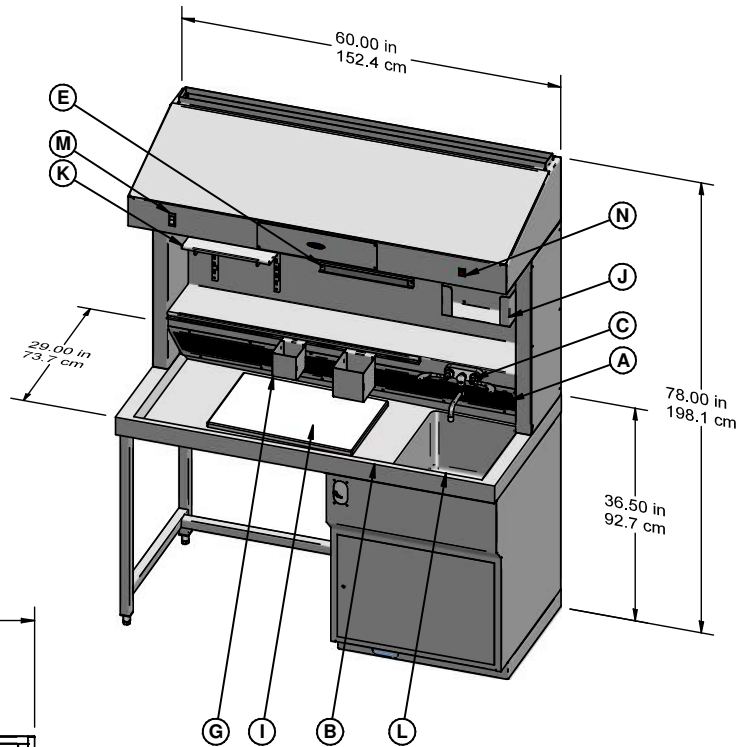
Free Standing Floor Model with Large Sink

STANDARD FEATURES

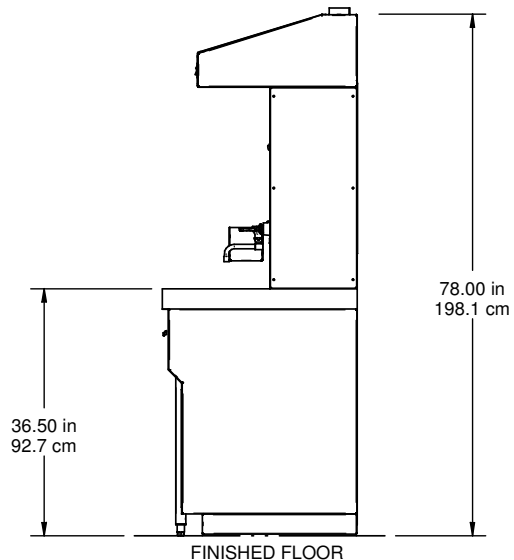
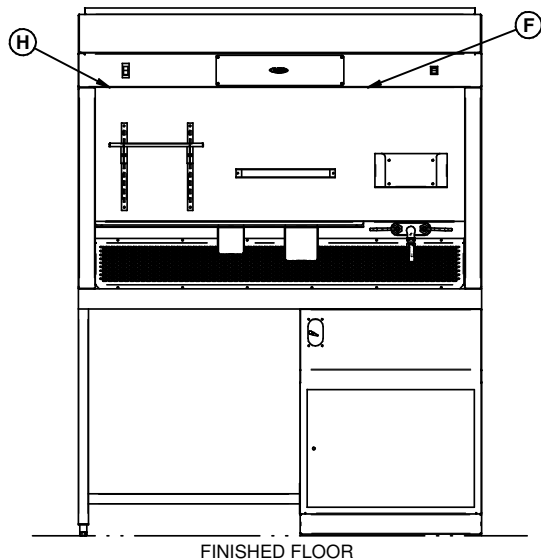
- A Back-Draft Ventilation
- B Recessed Work Surface
- C Fixture w/Swing Spout
- D In/cm Ruler
- E Magnetic Tool Bar
- F Recessed Fluorescent lighting
- G Organizer Bins (1 Large, 1 Small)
- H GFCI Electrical Outlet
- I Dissection Board
- J Towel Dispenser
- K Adjustable Shelving Unit
- L Sink – 19" x 14" x 10"
- M Main Circuit Breaker Switch
- N Fluorescent Light Switch

OPTIONAL FEATURES

- See Options List



UL 61010:2004
CAN/CSA-C22.2
NFPA 79-2002



MB450 Grossing Station with Shared Sink

1

2

3

4

5

6

7

8

9

10

11



Modified MB450



Modified MB450 - extended length

The MB450 is a beautiful compromise for those with limited lab space and the obvious need to maximize your laboratory work area. This double grossing station combines all the amenities of two workstations but with a smaller footprint than separate units. Only twenty four inches longer than our standard MB400, the MB450 allows for two technicians to work side by side in an area that could otherwise go underutilized. This enables your team to easily perform the most demanding grossing procedures and keep up with an ever increasing demand. With increased procedural demand, comes increased exposure to the airborne hazards familiar to laboratory technicians. The MB450 is equipped with Mopec's Backdraft Ventilation System, providing direct ventilation to the dual work surfaces and ensuring a safe work environment.

Overall Dimensions: 84" (213.6 cm) long x 30" (76.2 cm) wide x 77.50" (196.8 cm) high with standard work surface height of 37" (94.0 cm).

The dual work surfaces slope toward a shared integral sink, and are recessed to ensure complete drainage of debris and fluids. Standard with the sink is a hot and cold water fixture with built in vacuum breaker allowing for easy handling of

large specimens and/or containers.

Each side of the workstation is equipped with the following: washable ruler, removable polyethylene cutting board, stainless steel shelf, magnetic toolbar, GFCI receptacle, stainless steel C fold paper towel dispenser and waterproof fluorescent light.

The MB450 is constructed entirely of stainless steel and features a structural center base cabinet, accompanied by a tubular leg frame on either side. Equipped with leveling feet, this freestanding unit can be placed anywhere in the lab - regardless of finished floor conditions. Requires limited field hookups. All internal utilities, i.e., plumbing and electrical, are factory installed and tested. Mopec products make for easy installation and swift commission of equipment.

ISO: Quality Management System in compliance with ISO 9001:2008 and applies: Design, Engineering, Manufacturing and Installation of Equipment Distribution of Supplies for Morgue, Pathology, Histology and Necropsy Applications.

APPROVAL: TUV Listed & Certified: Tests to UL61010-1 :2004 standards in addition to CAN/CSA and NFPA standards. This listing covers the entire product as an entity and not just individual components.

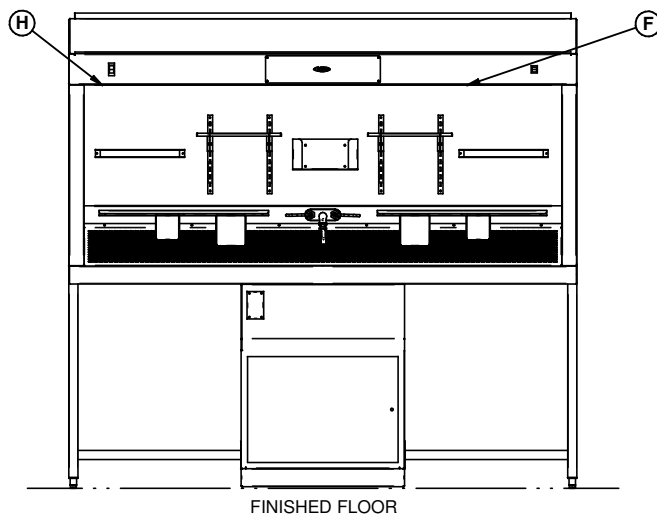
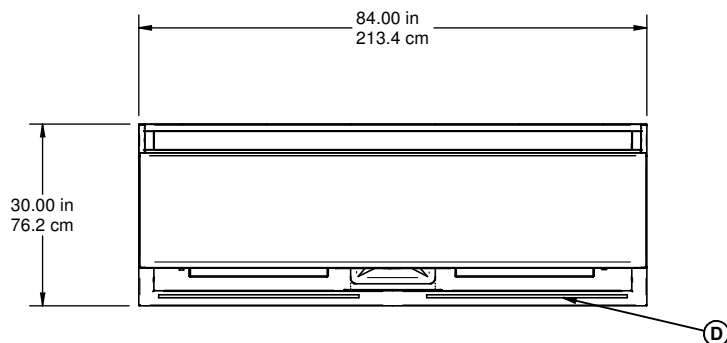
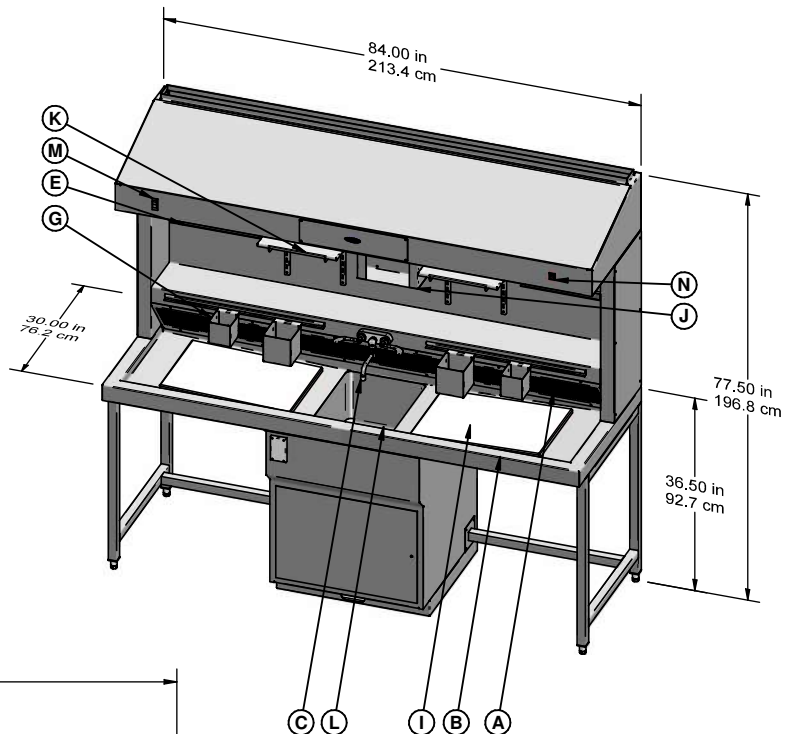
MB450 Grossing Station with Shared Sink

STANDARD FEATURES

- A Back-Draft Ventilation
- B Recessed Work Surface
- C Fixture w/Swing Spout
- D In/cm Ruler
- E Magnetic Tool Bar (2)
- F Recessed Fluorescent lighting
- G Organizer Bins (2 Large, 2 Small)
- H GFCI Electrical Outlet (2)
- I Dissection Board (2)
- J Towel Dispenser
- K Adjustable Shelving Unit (2)
- L Sink – 19" x 14" x 10"
- M Main Circuit Breaker Switch
- N Fluorescent Light Switch

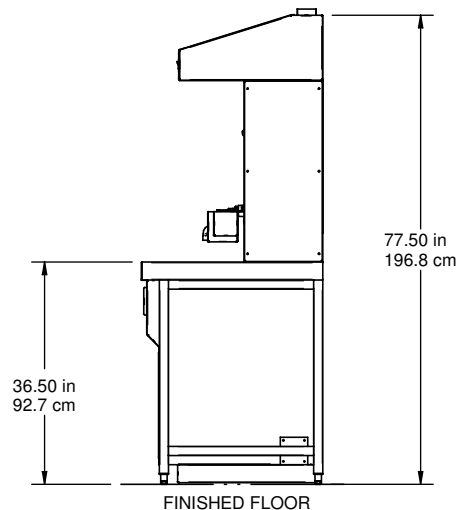
OPTIONAL FEATURES

- See Options List



CE

 UL 61010:2004
 CAN/CSA-C22.2
 NFPA 79-2002



MB670 Elevating Grossing Station with Shared Sink

1

2

3

4

5

6

7

8

9

10

11



MB670 shown with optional features

Standard features included on the MB670



Adjustable Storage Shelf



Magnetic Tool Bar



Set of Stainless Steel Organizer Bins

Designed to take up less space than two MB600's, the MB670 it's a fantastic unit for those who are tight on space but carry a significant workload. At 96" (243.8 cm) in length, this double grossing station is one of the largest and most technologically advanced grossing stations available today. The MB670 combines paramount laboratory workspace ventilation with a back-saving elevation feature. Designed with a work surface that elevates between 29.5" - 41.5" (74.9 cm - 105.4 cm); physicians and technicians of varying heights can find the most agreeable elevation and perform their duties without back strain. Complementing this health benefit, Mopec's Backdraft Ventilation System eliminates respiratory strain by directly ventilating the work surface. The expanded and technologically capable MB670 enhances laboratory safety and efficiency while saving valuable space.

The open workspace of the MB670, and generous elevation feature, enables your team to work side by side; either standing or sitting, allowing two technicians to easily perform the most demanding grossing procedures. Equipped with standard features such as recessed fluorescent lighting, sloped work surface, extra large sink, and swing spout faucet

with wrist blade handles; the MB670 will enhance the grossing process for any technician.

The MB670 is constructed entirely of stainless steel and features a fixed base accompanied by an elevating work surface and backsplash. Pinch points are eliminated due to overlapping skirts surrounding base and underside of work surface. Requires limited field hookups: All internal utilities, i.e., plumbing and electrical, are factory installed and tested. Mopec products make for easy installation and swift commission of equipment.

ISO: Quality Management System in compliance with ISO 9001:2008 and applies: Design, Engineering, Manufacturing and Installation of Equipment Distribution of Supplies for Morgue, Pathology, Histology and Necropsy Applications.

APPROVAL: TUV Listed & Certified: Tests to UL61010-1 :2004 standards in addition to CAN/CSA and NFPA standards. This listing covers the entire product as an entity and not just individual components.

MB670 Elevating Crossing Station

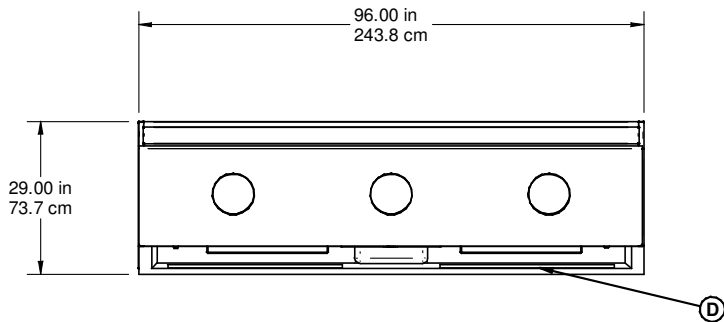
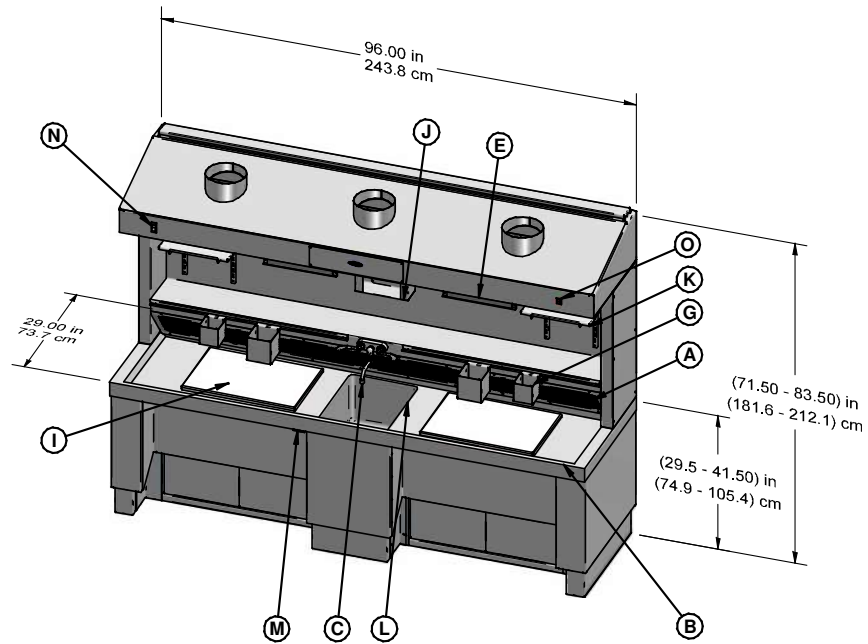
with Shared Sink

STANDARD FEATURES

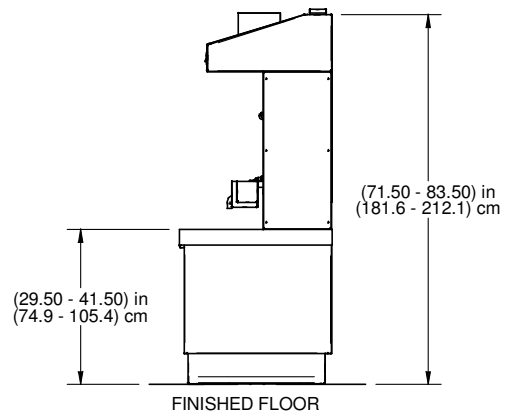
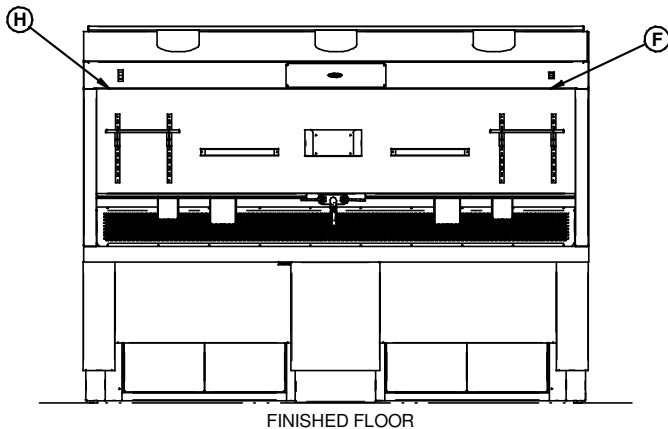
- A Back-Draft Ventilation
- B Recessed Work Surface
- C Fixture w/Swing Spout
- D In/cm Ruler (2)
- E Magnetic Tool Bar (2)
- F Recessed Fluorescent lighting (2)
- G Organizer Bins (2 Large, 2 Small)
- H GFCI Electrical Outlet (2)
- I Dissection Board (2)
- J Towel Dispenser
- K Adjustable Shelving Unit (2)
- L Sink – 19" x 14" x 10"
- M Elevation Switch
- N Main Circuit Breaker Switch
- O Fluorescent Light Switch

OPTIONAL FEATURES

- See Options List



UL 61010:2004
CAN/CSA-C22.2
NFPA 79-2002



1

2

3

4

5

6

7

8

9

10

11

MB600 Elevating Grossing Station with Extra Large Sink

1

2

3

4

5

6

7

8

9

10

11



MB600 shown with various options



MB600 with ErgoPath chair

The MB600 is one of the most technologically advanced grossing stations available today. This unit combines paramount laboratory-workspace ventilation and a back-saving elevation feature. Designed with a work surface that elevates between 29-.5" - 41.5" (74.9 cm – 105.4 cm); physicians and technicians of varying heights can find the most agreeable elevation to perform their duties without back strain. Complimenting this health benefit, Mopec's Backdraft Ventilation System eliminates respiratory strain by directly ventilating the work surface. At 60" (152.4 cm) wide, the MB600 has more than enough workspace to handle any

procedure. The technologically capable MB600 enhances laboratory safety and efficiency.

The open workspace of the MB600, and generous elevation feature, also allows for those who work while standing or sitting. Equipped with standard features such as recessed fluorescent lighting, sloped work surface, extra large sink, and swing spout faucet with wrist blade handles, the MB600 will enhance the grossing process for any technician.

The MB600 is constructed entirely of stainless steel and features a fixed bottom base accompanied by an elevating work surface and backsplash. Pinch points are eliminated due to overlapping skirts surrounding the base and underside of work surface. Requires limited field hookups: All internal utilities, i.e., plumbing and electrical, are factory installed and tested. Mopec products make for easy installation and swift commission of equipment.

Note: Right hand sink is standard, if left hand sink is desired, please specify when ordering.

ISO: Quality Management System in compliance with ISO 9001:2008 and applies: Design, Engineering, Manufacturing and Installation of Equipment Distribution of Supplies for Morgue, Pathology, Histology and Necropsy Applications.

APPROVAL: TUV Listed & Certified: Tests to UL61010-1 :2004 standards in addition to CAN/CSA and NFPA standards. This listing covers the entire product as an entity and not just individual components.

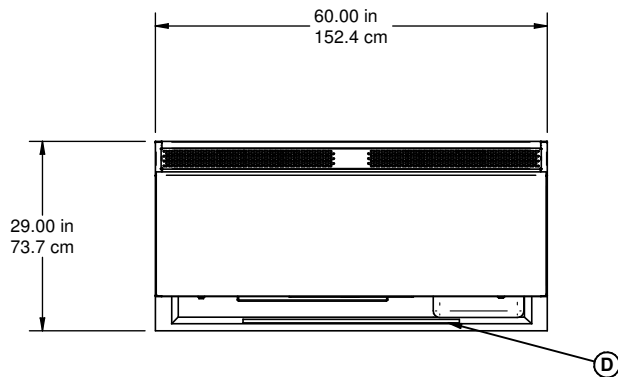
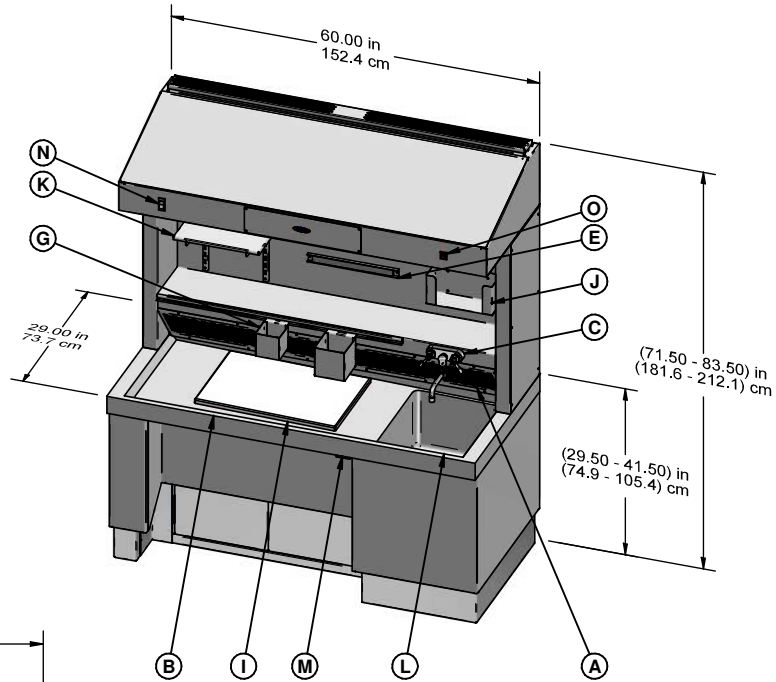
MB600 Elevating Crossing Station with Extra Large Sink

STANDARD FEATURES

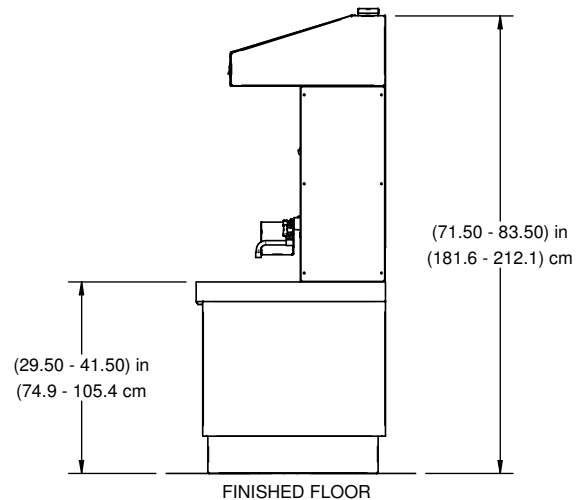
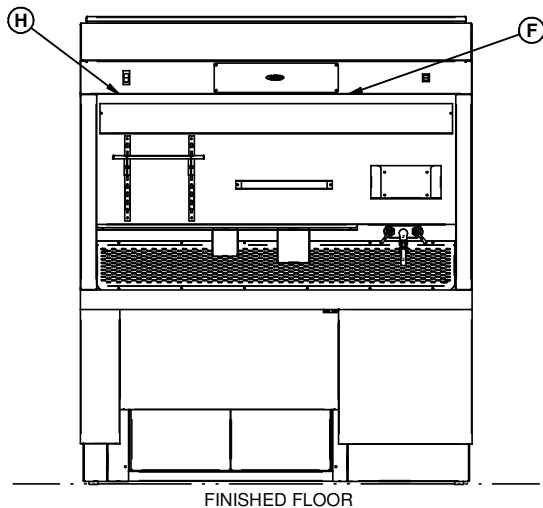
- A Back-Draft Ventilation
- B Recessed Work Surface
- C Fixture w/Swing Spout
- D In/cm Ruler
- E Magnetic Tool Bar
- F Recessed Fluorescent lighting
- G Organizer Bins (1 Large, 1 Small)
- H GFCI Electrical Outlet
- I Dissection Board
- J Towel Dispenser
- K Adjustable Shelving Unit
- L Sink – 19" x 14" x 10"
- M Elevation Switch
- N Main Circuit Breaker Switch
- O Fluorescent Light Switch

OPTIONAL FEATURES

- See Options List



UL 61010:2004
CAN/CSA-C22.2
NFPA 79-2002



MB650 Elevating Grossing Station

with Extra Large Sink and Additional Knee Space

1

2

3

4

5

6

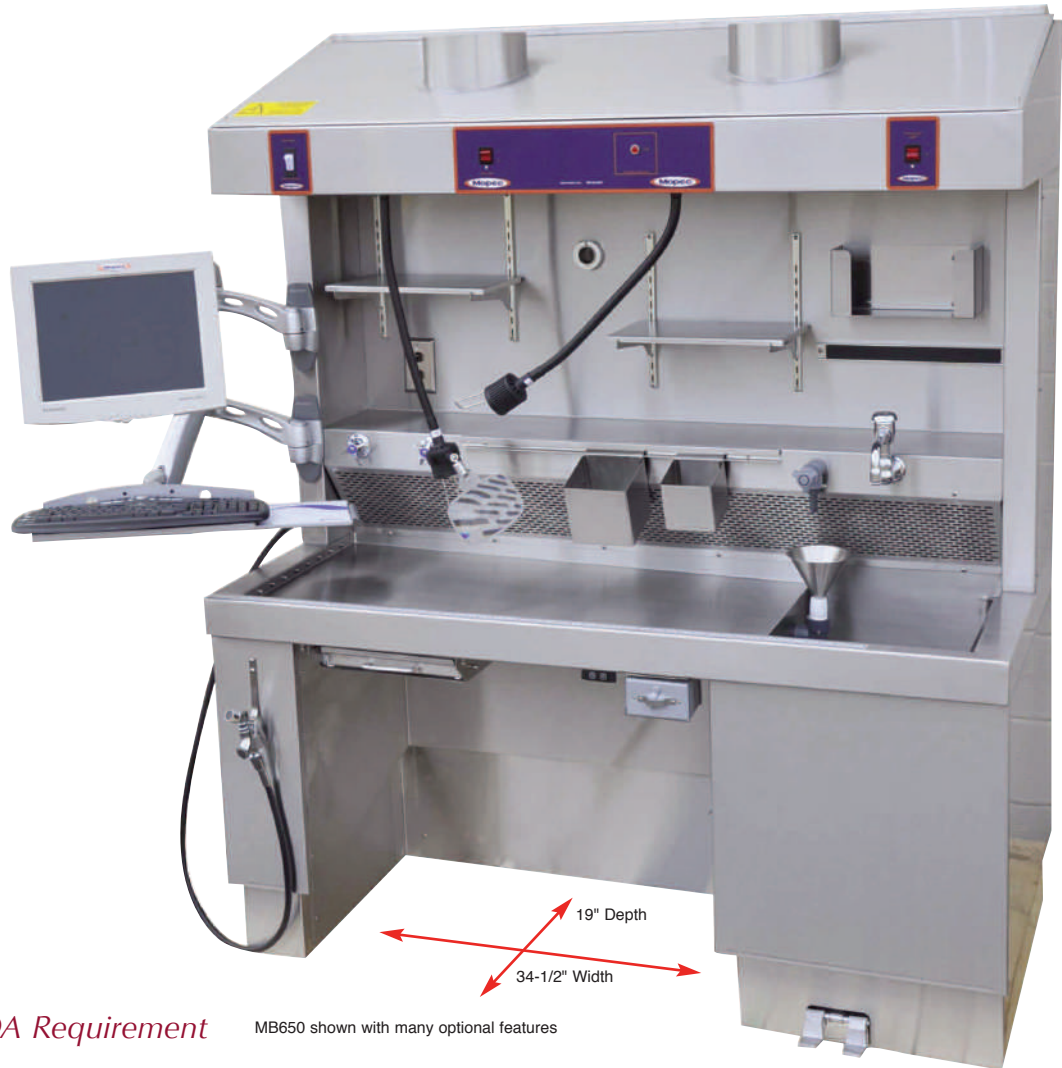
7

8

9

10

11



Meets ADA Requirement

MB650 shown with many optional features

The MB650 features extra knee space when needed and provides space for wheelchair usage. This technologically advanced unit combines paramount laboratory workspace ventilation with accessibility and a back-saving elevation feature. Designed with a work surface that elevates between 29.5" - 41.5" (74.9 cm - 105.4 cm); physicians and technicians of varying heights can find the most agreeable elevation when sitting, and perform their duties without back strain. Complimenting this health benefit, Mopec's Backdraft Ventilation System eliminates respiratory strain by directly ventilating the work surface. At 60" (152.4 cm), wide the MB650 has more than enough workspace to handle any grossing procedure. The technologically capable MB650 enhances laboratory safety and efficiency while allowing universal access to a grossing station.

The open workspace of the MB650, extra knee room, and generous elevation feature allows for those who work while standing or sitting and meets ADA requirements. Equipped with standard features such as recessed fluorescent lighting, sloped work surface, extra large sink, and swing spout faucet with wrist blade handles; the MB650 will simplify the grossing

process for any technician. The MB650 is constructed entirely of stainless steel and features a fixed bottom base accompanied by an elevating work surface and backsplash. Pinch points are eliminated due to overlapping skirts surrounding base and underside of work surface. Requires limited field hookups. All internal utilities, i.e., plumbing and electrical, are factory installed and tested. Mopec products make for easy installation and swift commission of equipment.

Note: Right hand sink is standard, if left hand sink is desired, please specify when ordering.

Note: Formalin Collection System and Formalin Dispensing System are not compatible with this product.

ISO: Quality Management System in compliance with ISO 9001:2008 and applies: Design, Engineering, Manufacturing and Installation of Equipment Distribution of Supplies for Morgue, Pathology, Histology and Necropsy Applications.

APPROVAL: TUV Listed & Certified: Tests to UL61010-1 :2004 standards in addition to CAN/CSA and NFPA standards. This listing covers the entire product as an entity and not just individual components.

MB650 Elevating Crossing Station

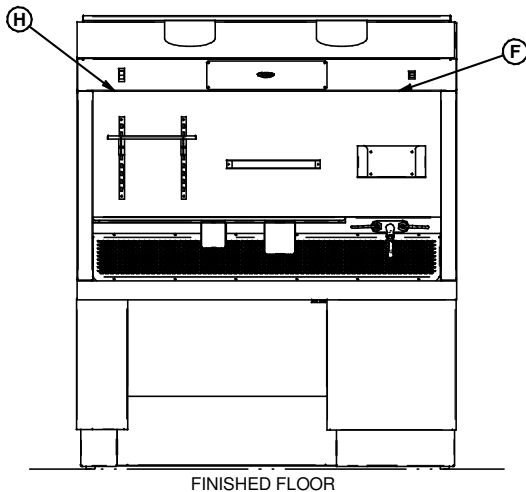
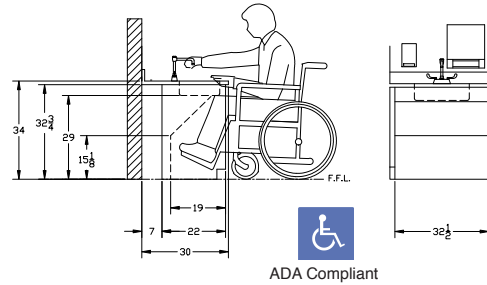
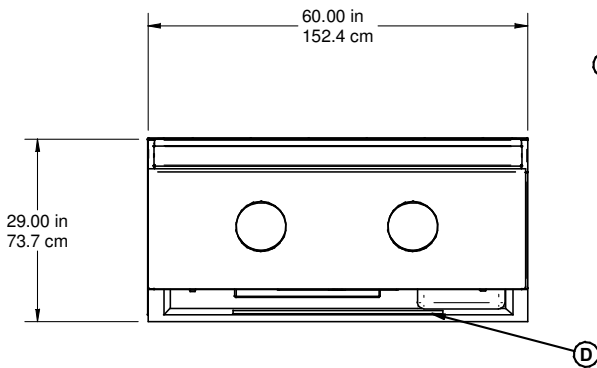
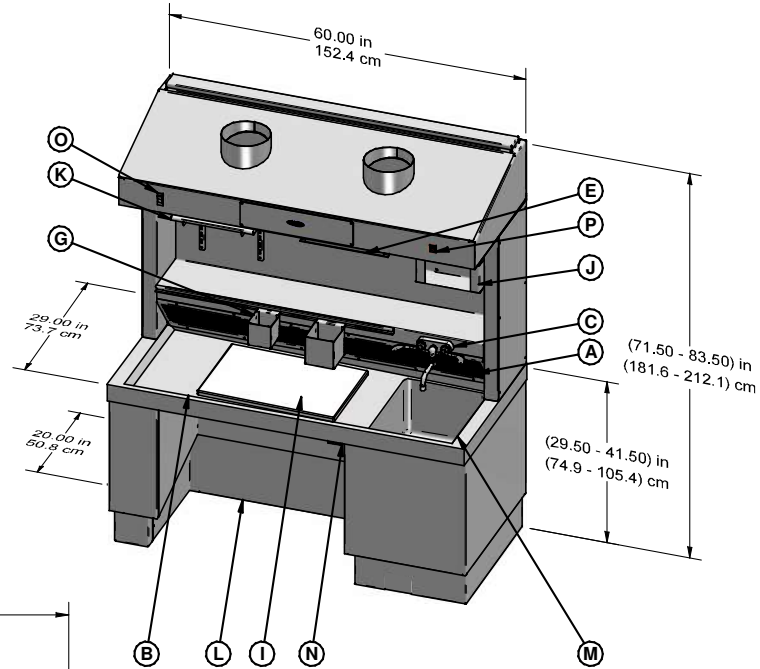
with Extra Large Sink and Additional Knee Space

STANDARD FEATURES

- A Back-Draft Ventilation
- B Recessed Work Surface
- C Fixture w/Swing Spout
- D In/cm Ruler
- E Magnetic Tool Bar
- F Recessed Fluorescent lighting
- G Organizer Bins (1 Large, 1 Small)
- H GFCI Electrical Outlet
- I Dissection Board
- J Towel Dispenser
- K Adjustable Shelving Unit
- L Expanded Leg Room
- M Sink – 19" x 14" x 10"
- N Elevating Switch
- O Main Circuit Breaker Switch
- P Fluorescent Light Switch

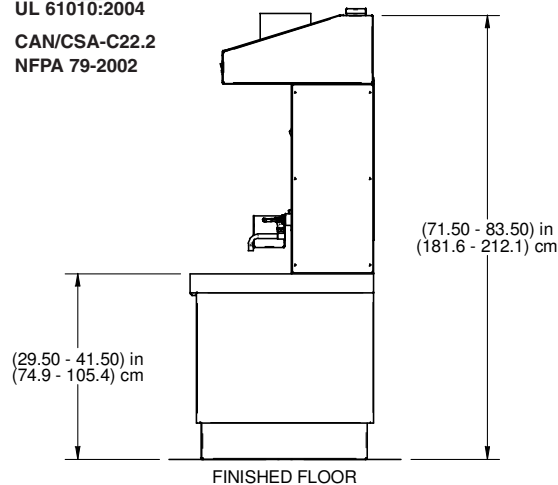
OPTIONAL FEATURES

- See Options List



CE

UL 61010:2004
CAN/CSA-C22.2
NFPA 79-2002



MB700 Elevating Wall Mounted Grossing Station

Patent Pending

1

2

3

4

5

6

7

8

9

10

11



Floors can be thoroughly cleaned without obstruction



A worldwide leader in innovative laboratory equipment, Mopec brings you the MB700 - an elevating, wall mounted grossing station (patent pending). The MB700 is one of the most technologically advanced and compact grossing stations available today, all while maintaining the workspace features of the MB600. This unit combines a back-saving elevation feature - in a condensed wall mounted package, and paramount laboratory-workspace ventilation requirements. With a work surface that elevates between 32" - 40" (81.3 cm - 101.6 cm); physicians and technicians with varying height requirements can find the most agreeable elevation and perform their duties without back strain. Complementing this health benefit, Mopec's Backdraft Ventilation System eliminates respiratory strain by directly ventilating the work surface. Maintaining a 60" (152.4 cm) work surface width, the MB700 has more than enough space to handle any procedure while eliminating the often obstructive base feature. The technologically capable and simplified MB700 enhances laboratory safety and work flow efficiency.

The open workspace and unique elevation feature included with the MB700, allows for those to work while standing or sitting and is also wheelchair accessible. Equipped with standard features such as recessed fluorescent lighting, sloped work surface, extra large sink, and swing spout faucet with wrist blade handles, the MB700 will enhance the grossing process for any technician.

The MB700 is constructed entirely of stainless steel and features a fixed, wall mounted mechanism that raises and lowers the grossing station. Installation requires a load bearing wall, prior consideration necessary. Requires limited field hookups. All internal utilities, i.e., plumbing and electrical, are factory installed and tested. Mopec products make for easy installation and swift commission of equipment.

Mounting requirements: cinder block wall, steel studs, or 4" x 4" (10 cm x 10 cm) pressure treated timber at mounting points

Note: Right hand sink is standard, if left hand sink is desired, please specify when ordering.



Meets ADA Requirement

ISO: Quality Management System in compliance with ISO 9001:2008 and applies: Design, Engineering, Manufacturing and Installation of Equipment Distribution of Supplies for Morgue, Pathology, Histology and Necropsy Applications.

APPROVAL: TUV Listed & Certified: Tests to UL61010-1 :2004 standards in addition to CAN/CSA and NFPA standards. This listing covers the entire product as an entity and not just individual components.

MB700 Elevating Wall Mounted Grossing Station



UL 61010:2004

CAN/CSA-C22.2

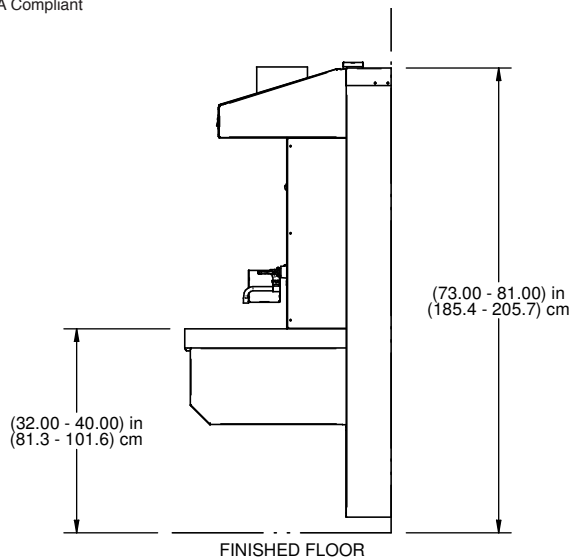
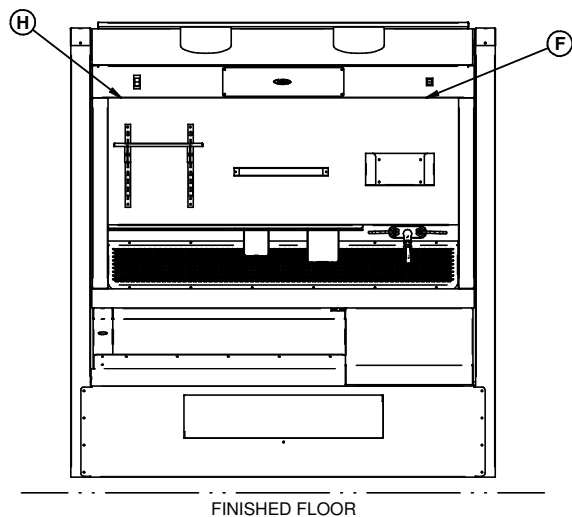
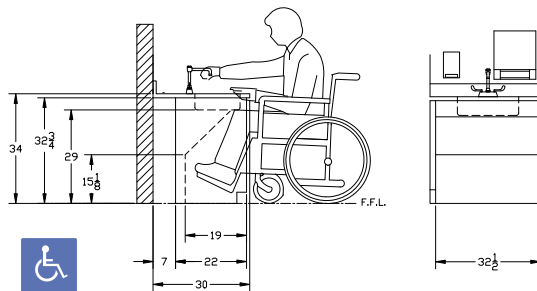
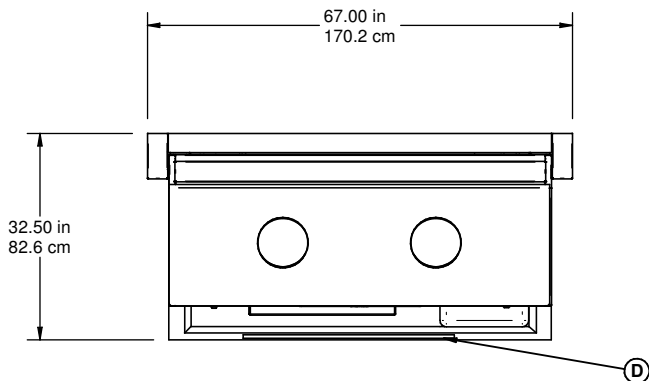
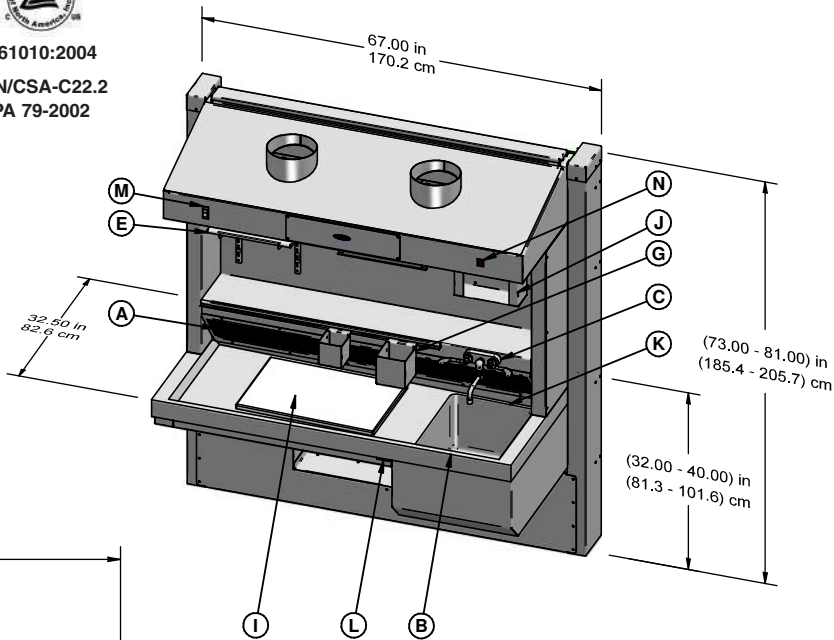
NFPA 79-2002

STANDARD FEATURES

- A Back-Draft Ventilation
- B Recessed Work Surface
- C Fixture w/Swing Spout
- D In/cm Ruler
- E Magnetic Tool Bar
- F Recessed Fluorescent lighting
- G Organizer Bins (1 Large, 1 Small)
- H GFCI Electrical Outlet
- I Dissection Board
- J Towel Dispenser
- K Sink – 19" x 14" x 10"
- L Elevation Switch
- M Main Circuit Breaker Switch
- N Fluorescent Light Switch

OPTIONAL FEATURES

- See Options List



MC100 Grossing Workstation Dual



1

2

3

4

5

6

7

8

9

10

11

The MC100 is a large, wall length grossing station designed to fully support dual dissection areas. With a common auxiliary work area in the middle and ample storage for supplies, the MC100 easily handles both the typical daily workload and any demand spike. At 156" (396.2 cm) in length, the MC100's versatility enables your team to easily perform the most challenging grossing procedures and keep up with an ever increasing demand.

With increased procedural demand, comes increased exposure to airborne hazards familiar to laboratory technicians. The entire length of the MC100 is equipped with Mopec's Backdraft Ventilation System, providing direct ventilation to both the dual work surfaces and auxiliary area, ensuring a safe lab working environment.

The dual work surfaces slope away from the common work area, toward individual sinks on opposite sides of the unit.

Dual work surfaces are also recessed to ensure complete drainage of debris and fluids. Standard with each sink is a deck mounted hot and cold water fixture, with built in vacuum breaker, allowing for easy handling of large specimens and/or containers. An optional disposal can be incorporated on each sink for easy disposal of residual tissues. Formalin can be conveniently placed on shelves above each work area.

Each side of the workstation is equipped with the following: hand spray rinse, washable ruler, removable white polyethylene cutting board, magnetic toolbar, GFCI receptacle, stainless steel C fold paper towel dispenser and waterproof fluorescent light. Each hand spray retracts within the table, helping to eliminate cumbersome hoses. With a total of 5 large shelves and two base cabinets, storage is not a problem.

The MC100 is constructed entirely of stainless steel and features structural end cabinets and a work surface-to-ceiling backsplash that doubles as the ventilation duct. The MC100 requires limited field hookups, but due to its large size a Mopec installation technician is included in the bid price to facilitate the commissioning of each unit. All internal utilities, i.e., plumbing and electrical, are factory installed and tested.

MC100 Standard Features

Hot/Cold Water Fixture: Two swing spout faucets have easily accessible wrist blade handles for hot and cold water controls.

GFCI Receptacle: Two each electrical receptacles are provided. The receptacles are GFCI type with watertight cover.

Inch Centimeter Rulers: Washable, easy to read inch/centimeter rulers are provided.

Recessed Fluorescent Lighting: Work areas are illuminated by two high input fluorescent bulbs mounted under the overhead control panel.

Storage shelves: Two stainless steel shelves are provided, each capable of holding A cubitainer of customer provided formalin.

Utility Cabinets: Located under each drawer with ample space for storage.

Hand Spray Rinse: Chrome plated, brass hand sprayer with soft spray head for controlled rinsing of work surface.

Sink Spray Assemblies

ISO: Quality Management System in compliance with ISO 9001:2008 and applies: Design, Engineering, Manufacturing and Installation of Equipment Distribution of Supplies for Morgue, Pathology, Histology and Necropsy Applications.

APPROVAL: TUV Listed & Certified: Tests to UL61010-1 :2004 standards in addition to CAN/CSA and NFPA standards. This listing covers the entire product as an entity and not just individual components.

MC100 Grossing Workstation Dual

STANDARD FEATURES

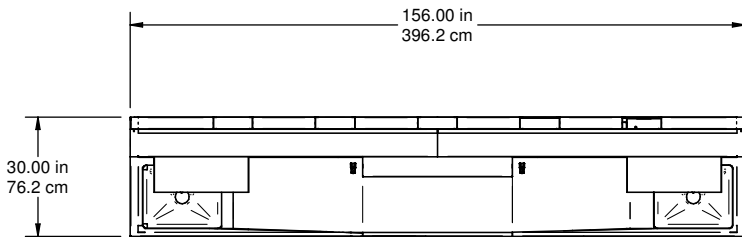
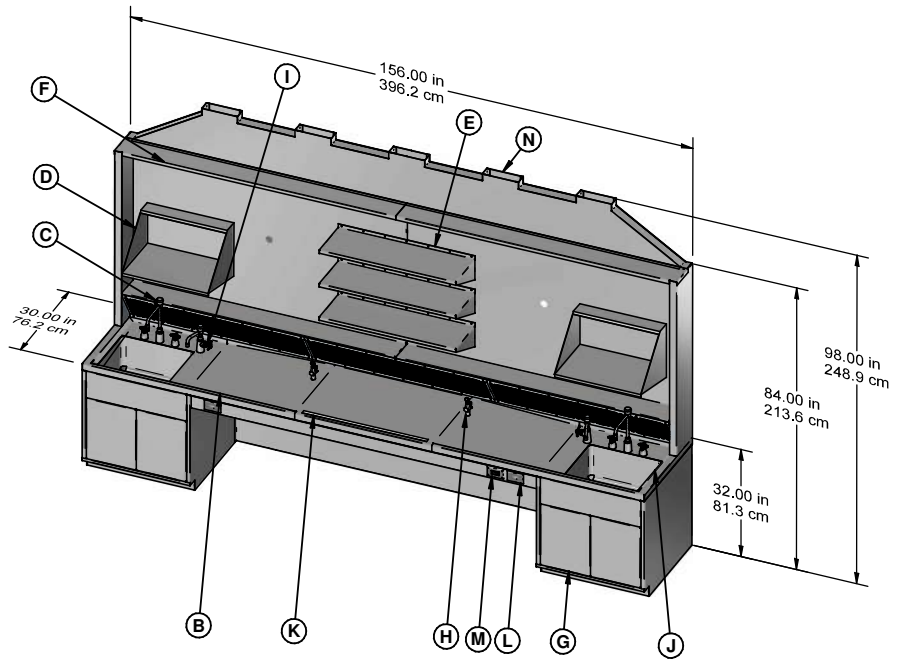
- A Back-Draft Ventilation
- B Recessed Work Surface
- C Fixture w/Swing Spout (2)
- D Formalin Container Shelf (2)
- E Utility Shelf (3)
- F Recessed Fluorescent light (2)
- G Utility Cabinet (2)
- H Sink Spray Assemblies (2)
- I Formalin Dispensing Fixture (2)
- J Large Organ sink - 20" x 16" x 10" (2)
- K Inch/Centimeter Rule (2)
- L GFCI Electrical Outlet (2)
- M Main Circuit Breaker Switch
- N Duct Stub (5)



UL 61010:2004

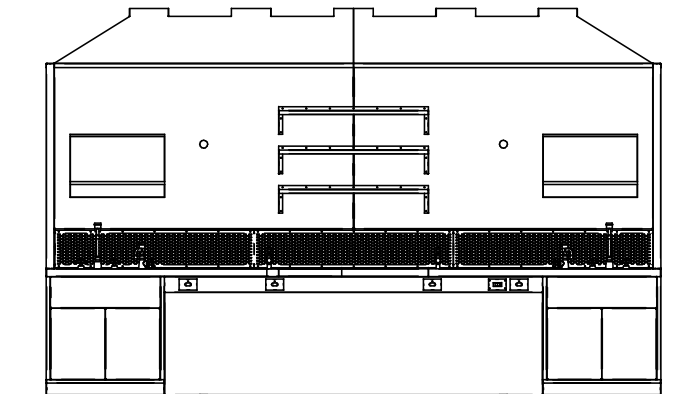
CAN/CSA-C22.2

NFPA 79-2002

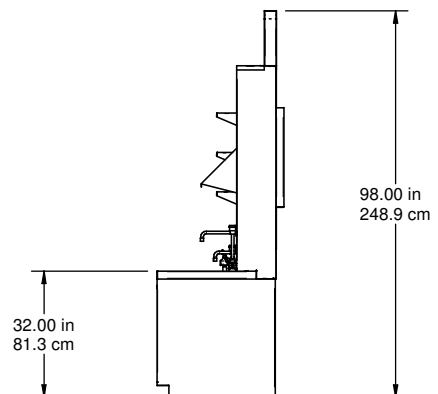


OPTIONAL FEATURES

- MO004 Dictation Equipment Stand
- MO007 Foot Pedal
- MB009 Perimeter Rinse System
- MO011 Halogen Light Magnifier
- MO016 Camera Stand
- MO018 Formalin Collection System
- MO019 Literature Dispenser
- MO020 Halogen Task Light-Single
- BL800 1 HP Disposal



FINISHED FLOOR



FINISHED FLOOR



ME Series Standard Features

1

Hot/Cold Water Fixture

Swing spout faucet has easily accessible wrist blade handles for hot and cold water control.

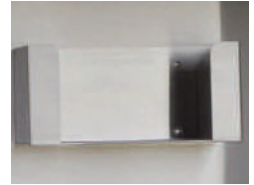
Available on: ME100, ME200, ME300 and ME400



Paper Towel Dispenser

Stainless steel paper towel dispenser, conveniently located over the sink area for easy access.

Available on: ME100, ME200, ME300 and ME400

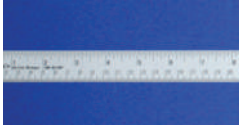


2

Replaceable Inch/Centimeter Ruler

Washable, easy-to-read, inch and centimeter scale. A special coating protects the scale from most chemicals used in the lab.

Available on: ME100, ME200, ME300 and ME400



Large Rinse Sink

Large 19" x 14" x 10" (48.2 cm x 35.5 cm x 25.4 cm) sink is integrally constructed with broad radius corners for easy cleaning

Available on: ME400



3

Magnetic Tool Bar

Conveniently mounted tool bar organizes and stores your most commonly used instruments within reach.

Available on: ME100, ME200, ME300 and ME400



Adjustable Storage Shelf

14" (35.5 cm), stainless steel, shelf vertically adjusts to accommodate storage needs.

Available on: ME100, ME200, ME300 and ME400

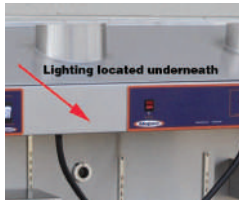


5

Recessed Fluorescent Lighting

The work surface is illuminated by a high output, high efficiency, fluorescent light fixture that is mounted under the overhead control panel.

Available on: ME100, ME200, ME300 and ME400



Set of Stainless Steel Organizer Bins

Consists of one large and one small stainless steel bin, plus mounting rack. Attaches to unit above grill. Additional sets available order - M0021 or M0022.

Available on: ME100, ME200, ME300 and ME400



6

Electrical Receptacles

Conveniently mounted under the control panel is one 115 volt GFCI duplex receptacle for safe use of all electrical devices.

Available on: ME100, ME200, ME300 and ME400



Backdraft Ventilation

The Mopec Backdraft System pulls odors, vapors, and toxic air back, away from the user.

Available on all models



7

Dissection Board

Constructed of durable polyethylene, this 16" x 23" x 3/4" (40.6 cm x 58.4 cm x 1.9 cm) textured dissection board makes an ideal background for specimen photography. Photo Blue available see Dissecting Boards

Available on: ME100, ME200, ME300 and ME400



Downdraft Ventilation

The Mopec Downdraft System pulls odors, vapors, and toxic air down, away from the user.

Available on all models



8

9

10

11

Mopec has developed a complete line of grossing stations to fit your individual laboratory requirements. Each workstation can be customized with a variety of options - all at an affordable price

ME Series Optional Features

M0001 Self Contained Exhaust System - Single

This single motor, dual blower, air-filtration system comes complete with: pilot lighted on/off switch, variable speed control and integral filter caddy. Utilizes two potassium permanganate filters, which allow for an independent means of filtering ventilated work surface air - eliminates the need to tie into building ventilation systems. Requires two filters (BF009)

Available on: ME100 and ME200



M0005 Self-Contained Exhaust System - Dual

Self contained air-filtration system equipped with TWO single motor, dual blower units. Comes complete with: pilot lighted on/off switch, variable speed control (for one fan only) and integral filter caddy. Utilizes three potassium permanganate filters, which allow for an independent means of filtering ventilated work surface air - eliminates the need to tie into building ventilation systems. Requires three filters (BF009)

Available on: ME300 and ME400



M0004 Dictation Equipment Stand

Angled surface for easy viewing and operating of most dictation systems. Dictation stand is portable and can be placed anywhere. Constructed of stainless steel.

Available on all models



M0019 Literature/Form Holder

Three tier Lexan® literature dispenser capable of holding 1" (2.53 cm) of letter sized documents for easy handling and reference.

Available on all models



M0007 Foot Pedal

Includes a dual foot pedal H/C water control valve and swing spout faucet for hands free control. Eliminates the need for wrist blade handles with this option. Not compatible with MO039 Pneumatic Foot Pedal.

Not available on: ME100, ME600 or ME650



M0039 Pneumatic Foot Pedal

Pneumatic foot operated water control. Toggles on/off with the press of your foot. Requires hand operated mixing valve next to faucet. Not compatible with option MO007 foot pedal.

Not available on: ME100, ME600 or ME650



BL007 Laboratory Mixing Faucet

Dual hand/foot water control faucet includes wrist blade handles. For use with standard foot pedals.

Not available on: ME100, ME600 or ME650

BL047 Laboratory Mixing Faucet

Dual hand/foot water control faucet includes wrist blade handles. For use with pneumatic foot pedals

Not available on: ME100, ME600 or ME650

M0008 Perimeter Rinse

Provides a consistent, three-sided, rinse to work surface. Virtually eliminates the accumulation of debris and fluids in the dissection area. Control valve included for water flow adjustment

Not available on: ME600 or ME650



M0010 Hand Spray Rinse

Chrome plated, brass hand sprayer with soft spray head for controlled rinsing of work surface. Complete with 60" (152.4 cm) high pressure hose for heavy-duty use. Control valve included for pressure control, along with atmospheric vacuum breaker for water protection.

Available on all models



Customize your workstation with a variety of options - all at an affordable price

- 1
- 2
- 3
- 4
- 5**
- 6
- 7
- 8
- 9
- 10
- 11

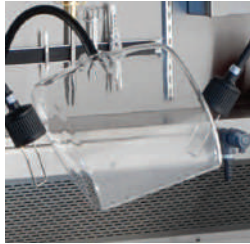
ME Series Optional Features

1

MO009 Safety Splash Shield

Clear Lexan® shield, on a flexible arm for easy positioning. Provides an additional splatter barrier between you and the specimen.

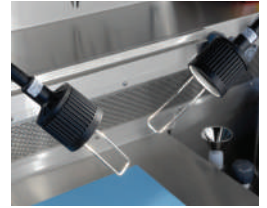
Available on all models



MO015 Halogen Task Lighting – Dual

Two 20 watt halogen lights, centered over the dissection area. Mounted overhead with 20" (50.8 cm) flexible arms allow for easy positioning of task lights. Replacement halogen bulbs available - order BB039

Available on all models



2

MO014 Video Camera Arm

Facilitates the easy positioning of your video camera over the length of your grossing station via an articulated arm and aluminum slide extrusion. Video camera not included.

Available on all models



3

MO023 Ventilated Trash Receptacle

Removable ventilated 12 gallon (45.4 L) trash container. Clear flexible ventilation hose (included) connects trash container to grossing station's ventilation system.

Not available on: ME100, ME600 or ME650



4

MO016 Camera Stand

Vertically mounted anodized aluminum and stainless steel camera stand with adjustable arm. Capable of supporting both digital and 35MM type cameras. Camera not included.

Available on all models



MO050 Ventilated Trash Receptacle on Casters

Ventilated 12 gallon (45.4 L) capacity with 3" casters to ease pullout and nag changes. Clear flexible ventilation hose (included) connects trash container to grossing station's ventilation system.

Not available on: ME100, ME600 or ME650



6

7

MO011 Halogen Light Magnifier (one)

Hands free poly magnifier with 4X magnification. Must order with either: MO015 Halogen Task Lighting - Dual or MO020 Halogen Task Light - Single

Available on all models



MO028 Computer CPU Bracket

Adjustable mounting bracket for your CPU, keyed to mounting plate with two pins for easy installation or removal. Includes additional water tight CFGI; located opposite of sink and outside of the unit.

Available on all models



8

9

MO020 Halogen Task Light Single

One 20 watt halogen light centered over the dissection area. Mounted overhead with a 20" flexible arm allows for easy positioning of task light. Replacement halogen bulbs available - order BB039.

Available on all models



MO037 LCD Flat Screen/Keyboard Adjustable Arm System

Allows positioning of your mounted flat screen and keyboard for greater visibility. Effortlessly reposition your display up, down, forward, and/or back to the most comfortable interactive position for seated or standing use. Flat screen, monitor, keyboard and computer not included.

Not available on: ME600 or ME650



10

11

Mopec designs workstations with many standard features not found with most other suppliers. This craftsmanship is superior, making your equipment last longer.

ME Series Optional Features

M0029 Removable Writing Ledge

Add an additional writing surface to your grossing station with the twist of a knob. Just slide over the sink and you have an extended writing or work ledge that is easily removable.

Available on: ME400



M0038 Stainless Steel Shelf

14" x 8" (35.5 cm x 20.3 cm), stainless steel shelf vertically adjusts to accommodate storage needs.

Not available on: ME600 or ME650



M0003 Formalin Dispensing Carboy

2.5 gallon (9.4 L) capacity dispensing container, molded of highly resistant polyethylene. Formalin not included.

Available on all models



M0051 Formalin Dispensing System - Cubitainer style

System includes self priming pump, with pressure switch, and slide out stainless steel drawer for 2.5 (9.5 L) gallon formalin cubitainer. Allows for self sealing connections.

Not Available on: ME100, ME600 or ME650



M0018 Formalin Collection System

System includes: collection funnel 2.5 gallon (9.5 L) waste collection carboy with easy grip handles, piping to waste carboy, quick disconnects and safety caps for disposal or recycling. Formalin not included. With optional BA077 - Fine Particle Screen

Not Available on: ME100, ME600 or ME650



BL800 Waste Disposal

Heavy-duty 1 HP disposal, complete with on/off switch, water solenoid, and vacuum breaker.

Not Available on: ME600 or ME650



CP001 Communication Port

Two port Ethernet receptacle allows for connection to in house network. Requires facilities network tie-in.

Available on all models



CP002 Communication Wire Chase

Conduit organizes network cables, eliminating clutter around your workstation

Available on all models



SA100 Seismic Anchoring Bracket

Heavy duty vibration control mounts.

Available on all models

M0052 Grid Plates

Perforated grid plate with sink.

Available on: ME100 and ME200



M0053 Grid Plates

Solid grid plate with sink.

Available on: ME300



Mopec has developed a complete line of grossing stations to fit your individual laboratory requirements. Each workstation can be customized with a variety of options - all at an affordable price

1

2

3

4

5

6

7

8

9

10

11

ME100 DualDraft Crossing Station

1

2

3

4

5

6

7

8

9

10

11



ME100 shown with optional MO052 Grid Plate with Sink

The ME100 is designed for laboratories with both space constraints and the need for maximum ventilation. This versatile, highly ventilated and compact, counter top workstation saves valuable floor space while ensuring a safe work environment. Equipped with Mopec's advanced DualDraft Ventilation System, the ME100 pulls more specimen odors and off-gas away from your technicians no matter the conditions. It may also serve as a secondary station in larger, busier, facilities that require additional workspace to meet spikes in demand.

Comprised of a backdraft ventilation system and a set of ventilated down draft grid plates; the DualDraft Ventilation System has the benefits of increased air flow and inherent adjustability. As the work surface accumulates clutter and blockages, throughout a given procedure, the DualDraft system automatically adjusts itself by increasing ventilation velocities through the unblocked areas of the System; making sure no fumes escape the work zone. The easily removable grid plates ensure quick cleanup after grossing procedures.

The versatile ME100 maximizes work space with standard conveniences such as: recessed fluorescent lighting, adjustable shelf, a swing spout faucet with wrist blade handles, and optional sink-in-grid-plate.

NOTE: Order MO052 - perforated grid plate with sink for ME100.

ISO: Quality Management System in compliance with ISO 9001:2008 and applies: Design, Engineering, Manufacturing and Installation of Equipment Distribution of Supplies for Morgue, Pathology, Histology and Necropsy Applications.

APPROVAL: TUV Listed & Certified: Tests to UL61010-1 :2004 standards in addition to CAN/CSA and NFPA standards. This listing covers the entire product as an entity and not just individual components.

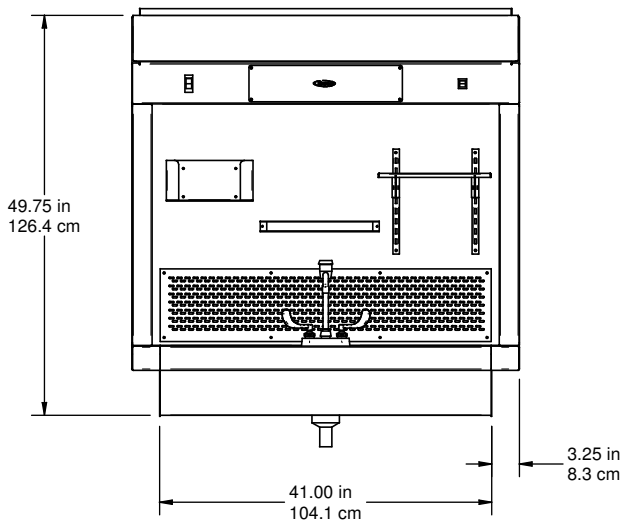
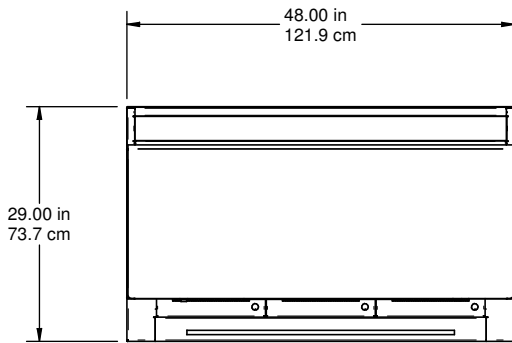
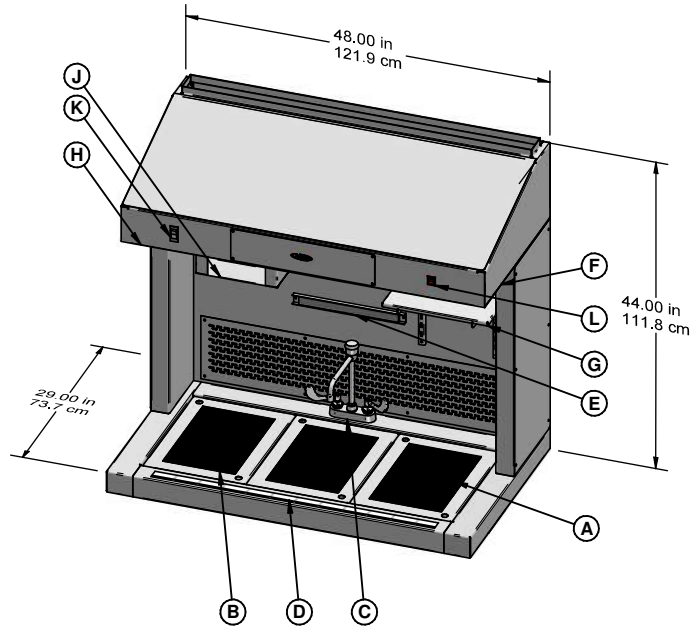
ME100 DualDraft Crossing Station

STANDARD FEATURES

- A Down and Back-Draft Ventilation
- B Removable Grid Plate Surface (3)
- C Fixture w/Swing Spout
- D In/cm Ruler
- E Magnetic Tool Bar
- F Recessed Fluorescent lighting (in Hood)
- G Adjustable Shelving unit
- H GFCI Electrical Outlet (under Hood)
- I Exhaust and Drain Chamber
- J Towel Dispenser
- K Main Circuit Breaker Switch
- L Fluorescent Light Switch

OPTIONAL FEATURES

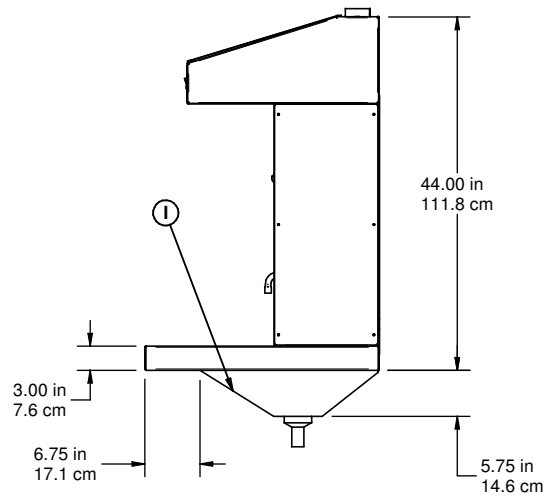
- See Options List



UL 61010:2004

CAN/CSA-C22.2

NFPA 79-2002



ME200 DualDraft Crossing Station

1

2

3

4

5

6

7

8

9

10

11



The ME200 is designed for laboratories with both space constraints and the need for maximum ventilation. This versatile, highly ventilated and compact, leg frame workstation makes the most of valuable floor space while ensuring a safe work environment. Equipped with Mopec's advanced DualDraft Ventilation System, the ME200 pulls more specimen odors and off-gas away from your technicians no matter the conditions. Its leg frame enables positioning anywhere; it could easily serve as a stand alone unit or a secondary station in larger, busier, facilities that require additional workspace to meet demand spikes.

Comprised of a backdraft ventilation system and a set of ventilated down draft grid plates; the DualDraft Ventilation System has the benefits of increased air flow. As the work surface accumulates clutter and blockages, throughout a given procedure, the DualDraft system automatically adjusts itself by increasing ventilation velocities through the unblocked areas of the System; making sure no fumes escape. The easily removable grid plates ensure quick cleanup after grossing procedures.

The versatile ME200 maximizes work space with standard conveniences such as: recessed fluorescent lighting, adjustable shelf, a swing spout faucet with wrist blade handles, and optional sink-in-grid-plate. This unit is functionally identical to the ME100, except it includes a stainless steel leg frame. NOTE: Order MO052 - perforated grid plate with sink for ME200.

ISO: Quality Management System in compliance with ISO 9001:2008 and applies: Design, Engineering, Manufacturing and Installation of Equipment Distribution of Supplies for Morgue, Pathology, Histology and Necropsy Applications.

APPROVAL: TUV Listed & Certified: Tests to UL61010-1 :2004 standards in addition to CAN/CSA and NFPA standards. This listing covers the entire product as an entity and not just individual components.

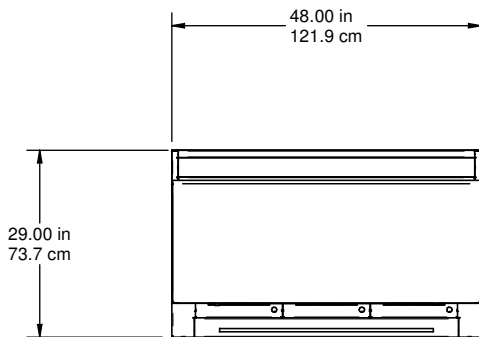
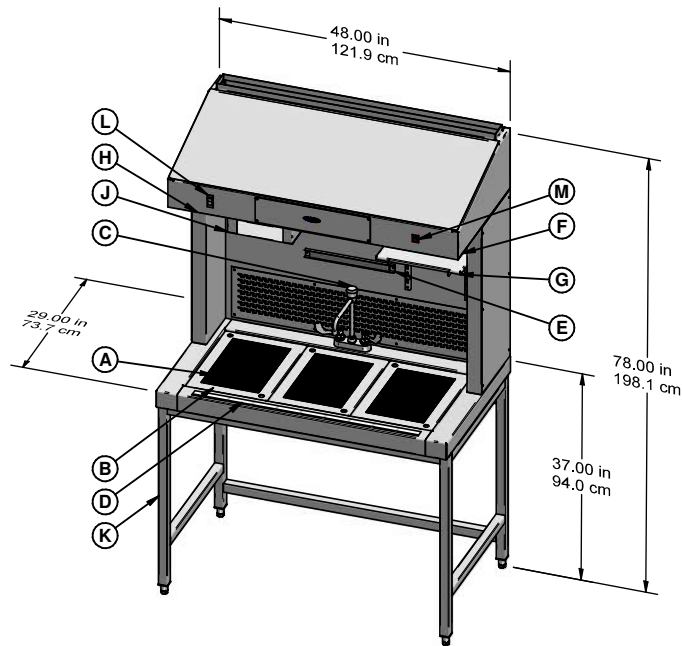
ME200 DualDraft Crossing Station

STANDARD FEATURES

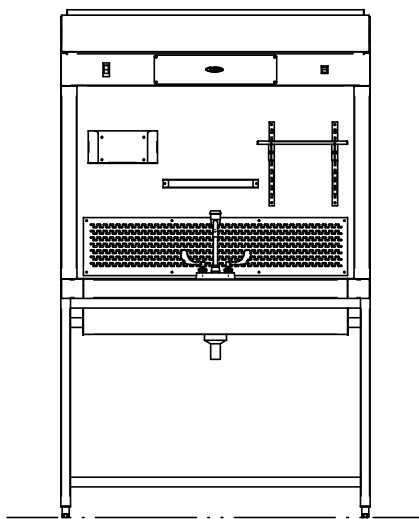
- A Down and Back-Draft Ventilation
- B Removable Grid Plate Surface (3)
- C Fixture w/Swing Spout
- D In/cm Ruler
- E Magnetic Tool Bar
- F Recessed Fluorescent lighting (in Hood)
- G Adjustable Shelving unit
- H GFCI Electrical Outlet (under Hood)
- I Exhaust and Drain Chamber
- J Towel Dispenser
- K Leg Frame
- L Main Circuit Breaker Switch
- M Fluorescent Light Switch

OPTIONAL FEATURES

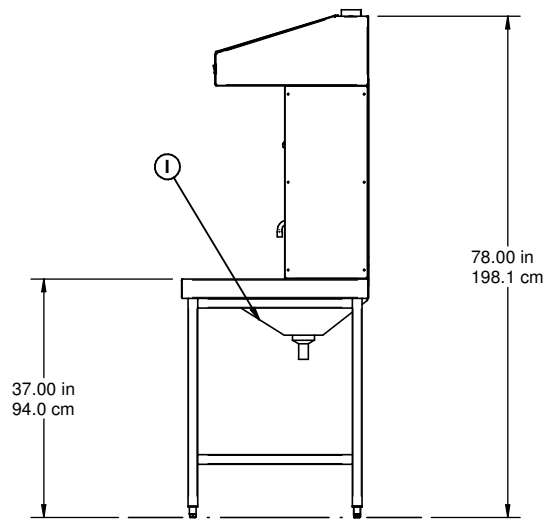
- See Options List



UL 61010:2004
CAN/CSA-C22.2
NFPA 79-2002



FINISHED FLOOR



FINISHED FLOOR



ME300 DualDraft Crossing Station

1

2

3

4

5



ME300 shown with optional lower shelves

6

7

8

9

10

11

The ME300 is a medium sized grossing station designed for laboratories that need maximum ventilation of their workspace. This versatile ventilated workstation with leg frame offers more work space while ensuring a safe work environment. Equipped with Mopec's advanced DualDraft Ventilation System, the ME300 pulls more specimen odors and off-gas away from your technicians no matter the conditions. The functionality of a ME300 will enhance the grossing process for any lab. Its leg frame enables positioning anywhere.

Comprised of a backdraft and downdraft ventilation system with ventilated grid plates; the DualDraft Ventilation System has the benefits of increased air flow and inherent adjustability. As the work surface accumulates clutter and blockages, throughout a given procedure, the DualDraft system automatically adjusts itself by increasing ventilation velocities through the unblocked areas of the work surface; making sure no fumes escape to the work zone. The easily removable grid plates ensure quick cleanup after grossing procedures.

The versatile ME300 maximizes work space with standard conveniences such as: recessed fluorescent lighting, adjustable shelf, a swing spout faucet with wrist blade handles, and optional sink-in-grid-plate.
NOTE: Order MO053 - solid grid plate with sink for ME300.

ISO: Quality Management System in compliance with ISO 9001:2008 and applies: Design, Engineering, Manufacturing and Installation of Equipment Distribution of Supplies for Morgue, Pathology, Histology and Necropsy Applications.

APPROVAL: TUV Listed & Certified: Tests to UL61010-1 :2004 standards in addition to CAN/CSA and NFPA standards. This listing covers the entire product as an entity and not just individual components.



ME300 shown with optional foot pedals

Mopec offers several optional features for your workstation



Camera Stand



Hand Spray Rinse



Halogen Task Light Single



Halogen Light Magnifier

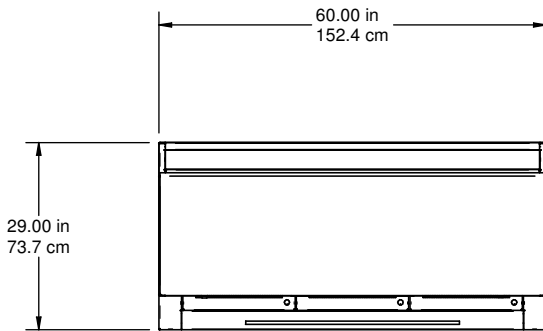
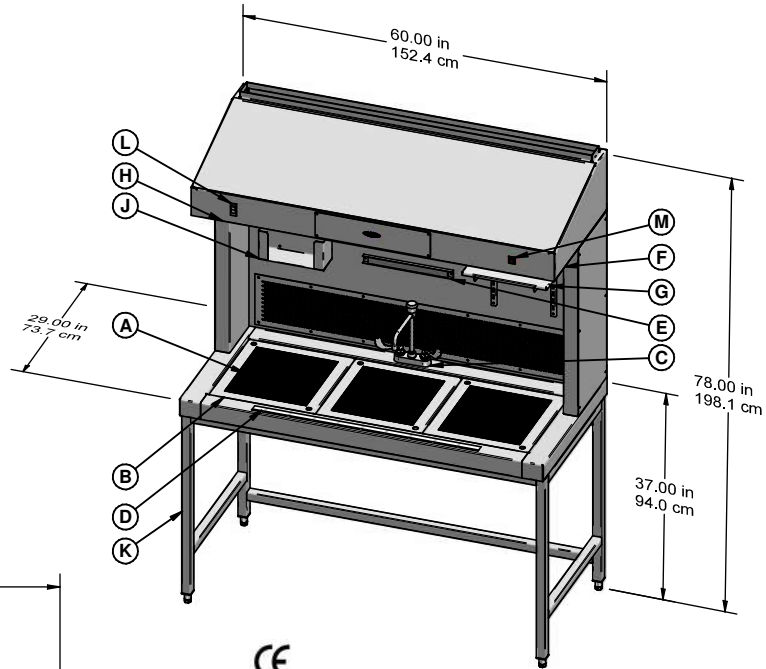
ME300 DualDraft Crossing Station

STANDARD FEATURES

- A Down and Back-Draft Ventilation
- B Removable Grid Plate Surface (3)
- C Fixture w/Swing Spout
- D In/cm Ruler
- E Magnetic Tool Bar
- F Recessed Fluorescent lighting (in Hood)
- G Adjustable Shelving unit
- H GFCI Electrical Outlet (under Hood)
- I Exhaust and Drain Chamber
- J Towel Dispenser
- K Leg Frame
- L Main Circuit Breaker Switch
- M Fluorescent Light Switch

OPTIONAL FEATURES

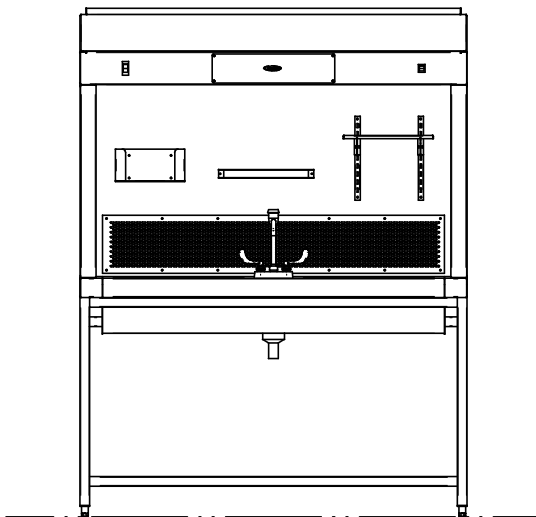
- See Options List



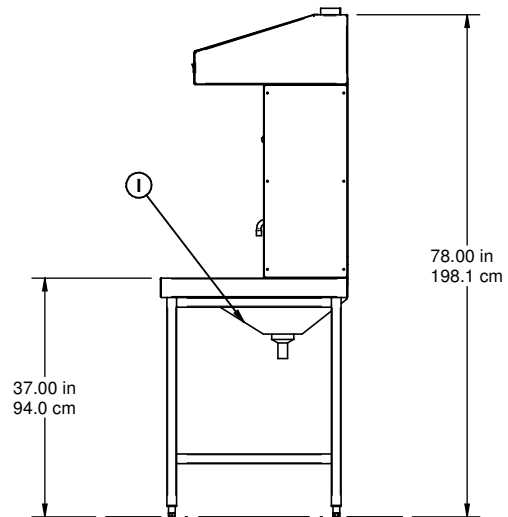
UL 61010:2004

CAN/CSA-C22.2

NFPA 79-2002



FINISHED FLOOR



FINISHED FLOOR



ME400 DualDraft Crossing Station

1

2

3

4

5

6

7

8

9

10

11



The ME400 is a large, elevating, grossing station that combines vital laboratory-workspace ventilation and a back-saving elevation feature. Designed with a ventilated work surface that elevates between 33.5" – 45.5" (85.1 cm – 115.6 cm); physicians and technicians of varying heights can find the most agreeable height to perform their duties without back strain. Equipped with Mopec's advanced DualDraft Ventilation System, the ME400 is designed for maximum ventilation pulls more specimen odors and off-gas away from your technicians no matter the conditions. The DualDraft Ventilation System is comprised of a back draft and down draft ventilation system with a set of perforated grid plates. This system has the benefits of increased air flow and inherent adjustability. As the work surface accumulates clutter and blockages, throughout a given procedure, the DualDraft system automatically adjusts itself by increasing ventilation velocities through the unblocked areas of the work surface; making sure no fumes escape into the work zone. The easily removable grid plates ensure quick cleanup after grossing procedures.

The open workspace of the ME400, and generous elevating feature, will accommodate those who work while standing or sitting. Equipped with standard features such as recessed fluorescent lighting, sloped work surface, extra large sink, and swing spout faucet with wrist blade handles, the ME400 will enhance the grossing process for any technician.

The ME400 is constructed entirely of stainless steel and features a fixed bottom base accompanied by an elevating work surface and back splash. Pinch points are eliminated due to overlapping skirts surrounding base and underside of work surface. Requires



limited field hookups. All internal utilities, i.e., plumbing and electrical, are factory installed and tested. Mopec products make for easy installation and swift commissioning of equipment.

Note: Right hand sink is standard, if left hand sink is desired, please specify when ordering.

ISO: Quality Management System in compliance with ISO 9001:2008 and applies: Design, Engineering, Manufacturing and Installation of Equipment Distribution of Supplies for Morgue, Pathology, Histology and Necropsy Applications.

APPROVAL: TUV Listed & Certified: Tests to UL61010-1 :2004 standards in addition to CAN/CSA and NFPA standards. This listing covers the entire product as an entity and not just individual components.

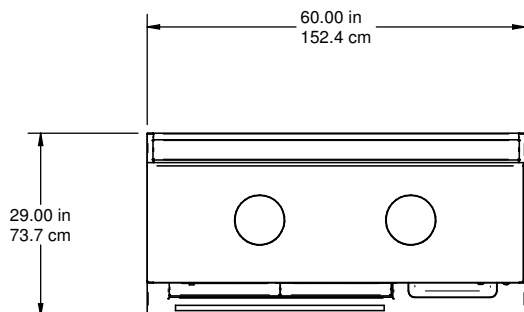
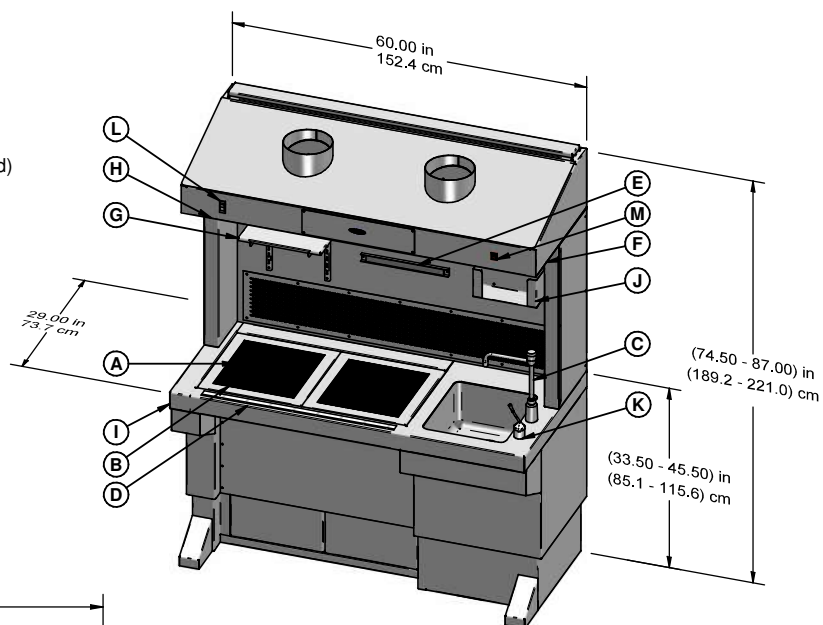
ME400 DualDraft Crossing Station

STANDARD FEATURES

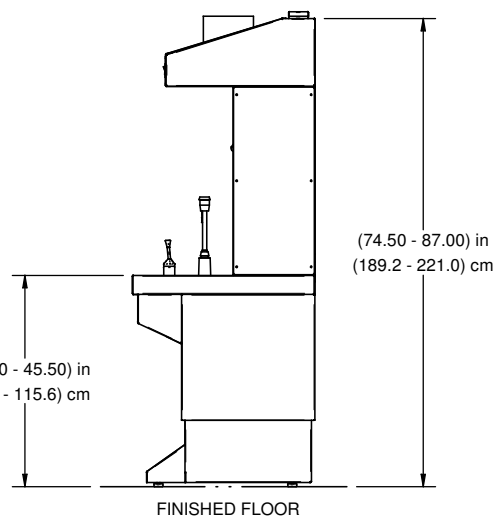
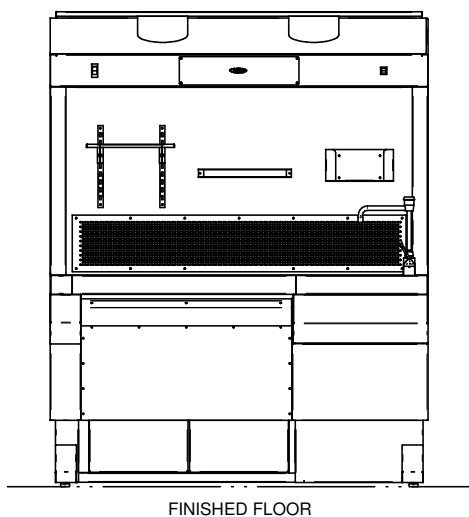
- A Down and Back-Draft Ventilation
- B Removable Grid Plates (2)
- C Fixture w/Swing Spout
- D In/cm Ruler
- E Magnetic Tool Bar
- F Recessed Fluorescent lighting (in Hood)
- G Adjustable Shelving unit
- H GFCI Electrical Outlet (under Hood)
- I Elevating Work Surface
- J Towel Dispenser
- K Mixing Valve
- L Main Circuit Breaker Switch
- M Fluorescent Light Switch

OPTIONAL FEATURES

- See Options List



UL 61010:2004
CAN/CSA-C22.2
NFPA 79-2002



ME600 DualDraft Multipurpose Workstation

ME650 DualDraft Multipurpose Workstation with Plumbing and Drain

1

2

3

4

5

6

7

8

9

10

11

The ME600 is a large, multi-purpose, double grossing station designed for laboratories that need maximum ventilation of their workspace. This versatile and highly ventilated leg frame workstation offers plenty of work room for two users while ensuring a safe work environment. Equipped with Mopec's advanced DualDraft Ventilation System, the ME600 pulls more specimen odors and off-gas away from your technicians no matter the conditions. The functionality of the ME600 will enhance the grossing process for any lab. Its leg frame enables positioning anywhere.

Comprised of a backdraft ventilation system and a set of ventilated down draft grid plates; the DualDraft Ventilation System has the benefits of increased air flow and inherent adjustability. As the work surface accumulates clutter and blockages, throughout a given procedure, the DualDraft system automatically adjusts itself by increasing ventilation velocities through the unblocked areas of the System; making sure no fumes escape to the work zone. The easily removable grid plates ensure quick cleanup after grossing procedures. The versatile ME600 maximizes work space and includes recessed fluorescent lighting



ME600 Series Standard Features

Table top: Constructed of stainless steel with #4 satin finish with double flange.

Electrical: A GFCI protected duplex receptacle is included within the ventilation hood, completely wired and ready for use.

Grid Plates: Removable downdraft grid plates (2) each. Slightly recessed 1/4". Adjustable air baffle located under the downdraft grid plates.

Frame: The frame is constructed of 1-1/2" square tubing using all welded construction. Each mating tube has a continuous bead weld, free of burrs and discoloration. Adjustable stainless steel feet assist leveling during installation.

Vent hood: Fabricated of stainless steel with a #4 satin finish.

Construction: Utilizing TIG welding on all seams and mating sections, exposed welds are ground smooth and grained to match the workstation's #4 satin finish.

ME600 Series Optional Features

MO005 Self Contained Dual Exhaust: Self contained air-filtration system equipped with TWO single motor, dual blower units. Includes: pilot lighted on/off switch, variable speed control (for one fan only) and integral filter caddy. Allow for an independent means of filtering ventilated work surface air - eliminates

the need to tie into building ventilation systems. Requires three filters (BF009)

MO011 Magnifier: Hands free poly magnifier with 4X magnification. Must order with either: MO015 Halogen Task Lighting - Dual or MO020 Halogen Task Light - Single

MO015 Dual Lights: Two 20 watt halogen lights, centered over the dissection area. Mounted overhead with 20" (50.8 cm) flexible arms allowing for easy positioning of task lights. Must order MO011 option with this option.

MO020 Single Light: One 20 watt halogen light centered over the dissection area. Mounted overhead with a 20" flexible arm allows for easy positioning of task light.

Replacement halogen bulbs available - order BB039.

Product Description

Product No. ME600

Product No. ME650 - Includes sink drain assembly and hand sprayer

ISO: Quality Management System in compliance with ISO 9001:2008 and applies: Design, Engineering, Manufacturing and Installation of Equipment Distribution of Supplies for Morgue, Pathology, Histology and Necropsy Applications.

APPROVAL: TUV Listed & Certified: Tests to UL61010-1 :2004 standards in addition to CAN/CSA and NFPA standards. This listing covers the entire product as an entity and not just individual components.

ME600 DualDraft Multipurpose Workstation

ME650 DualDraft Multipurpose Workstation with Plumbing and Drain

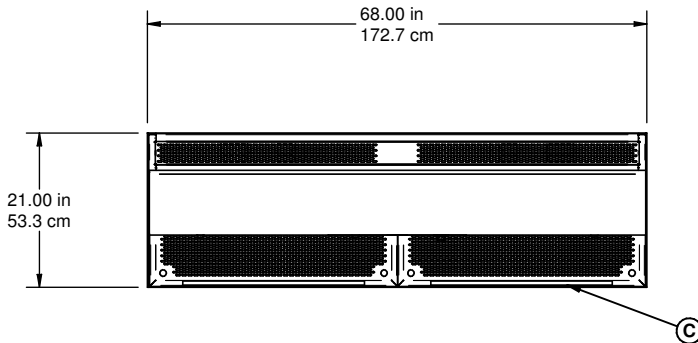
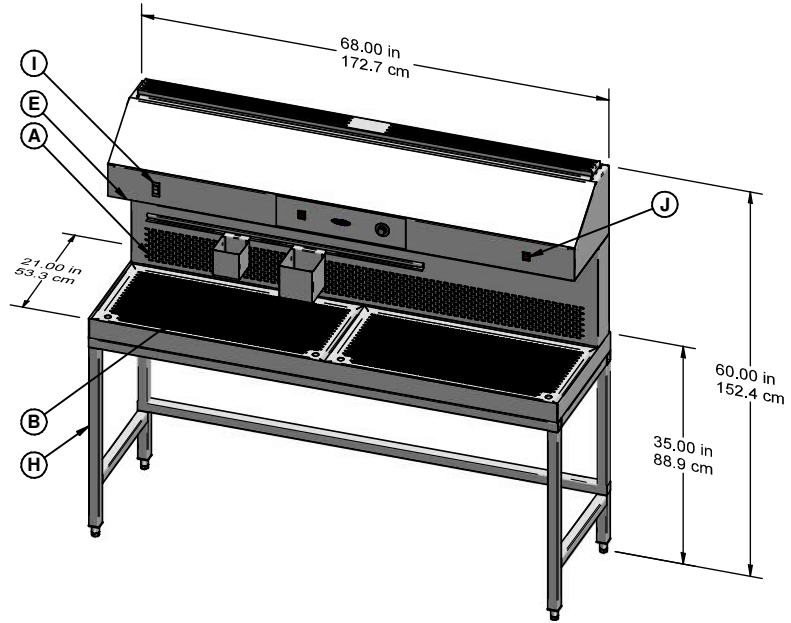
ME600

STANDARD FEATURES

- A Down and Back-Draft Ventilation
- B Removable Grid Plate Surface (2)
- C In/cm Ruler (2)
- D Organizer Bins (1 Large, 1 Small)
- E Recessed Fluorescent lighting (in Hood)
- F GFCI Electrical Outlet (under Hood)
- G Exhaust and Drain Chamber
- H Leg Frame
- I Main Circuit Breaker Switch
- J Fluorescent Light Switch

OPTIONAL FEATURES

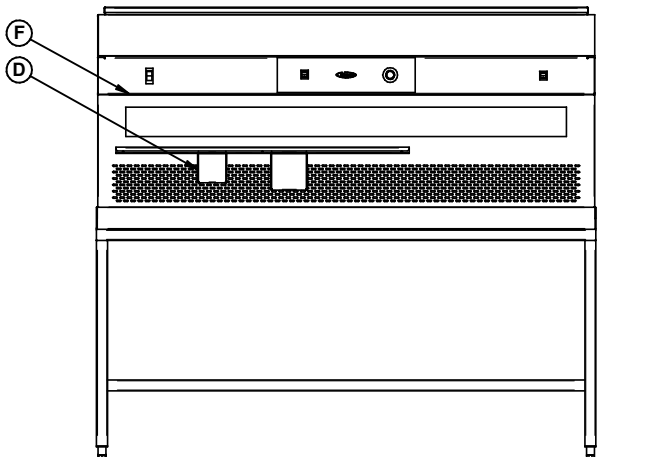
- See Options List



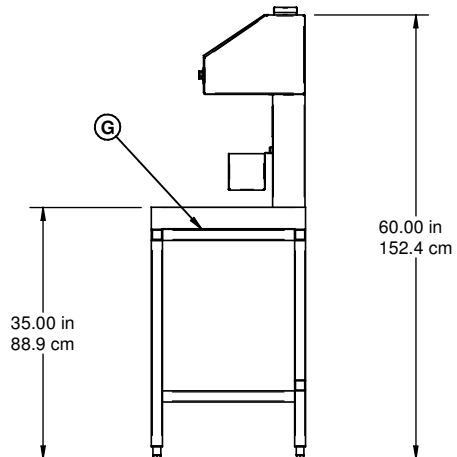
UL 61010:2004

CAN/CSA-C22.2

NFPA 79-2002



FINISHED FLOOR



FINISHED FLOOR



MD100 Island Workstation

1

2

3

4

5



MD100 shown with optional foot pedal

6

7

8

9

10

11

The MD100 is a low profile, single pathologist, workstation designed to simplify the many steps required to perform a given procedure. Equipped with SideDraft Ventilation, a sloped work surface, deep sink and auxiliary flat surface all within easy reach, the MD100 is a very capable unit. Mopec's SideDraft Ventilation System allows for a seamless work surface while pulling off-gas towards vents running lengthwise down the side of the table. This ventilation scheme handles fumes while allowing easy operation and unparalleled clean up. Equipped with standard features such as: four deep drawers to store supplies, a pull out writing ledge, and separate pull out dictation stand to record findings; the MD100 will easily integrate itself into your everyday workflow.

MD100 Standard Features

SideDraft Ventilation System: Designed to pull air around two sides of the dissection area into separate ventilation chambers. Ventilation chambers are completely accessible for easy cleaning and instrument retrieval via access panel. Chamber includes sloped drain pan and drain valve for flushing.

Water Fixture: The large sink incorporates a hot/cold water fixture. The fixture is designed so that the H/C mixing is accomplished via one mixing valve.

Electrical: Three GFCI receptacles with watertight covers: One located on each side of unit, and one located within slide out dictation stand.

Pull Out Writing Ledge: Simple writing ledge slides out for use. Slides back into cabinet for easy storage.

Slide Out Dictation Stand: Dictation stand slides out for easy use with any dictation machine. Sliding stand includes one GFCI electrical

outlet to simplify power requirements for dictation. Slides back into cabinet for easy storage.

Storage: Dual pedestal storage meets all your storage needs. The large pedestal cabinet allows storage of large gallon sized bottles while the four slide out drawers allow storage of utensils and other supplies.

MD100 Optional Features

BL800 Waste Disposal: Heavy-duty 1 HP disposal, complete with on/off switch, water solenoid, and vacuum breaker.

MO007 Hot/Cold Foot Pedal: Includes a dual foot pedal H/C water control valve and swing spout faucet for hands free control. Wrist blade handle controls are eliminated with this option.

MO008 Perimeter Rinse: Full perimeter rinse on three sides virtually eliminating the accumulation of debris and fluids in the dissection area. Control valve included for water flow adjustment.

MO010 Hand Spray Rinse: Chrome plated, brass hand sprayer with soft spray head for controlled rinsing of work surface. Complete with 60" (152.4 cm) high pressure hose for heavy-duty use. Control valve included for pressure control, along with atmospheric vacuum breaker for water protection.

ISO: Quality Management System in compliance with ISO 9001:2008 and applies: Design, Engineering, Manufacturing and Installation of Equipment Distribution of Supplies for Morgue, Pathology, Histology and Necropsy Applications.

APPROVAL: TUV Listed & Certified: Tests to UL61010-1 :2004 standards in addition to CAN/CSA and NFPA standards. This listing covers the entire product as an entity and not just individual components.

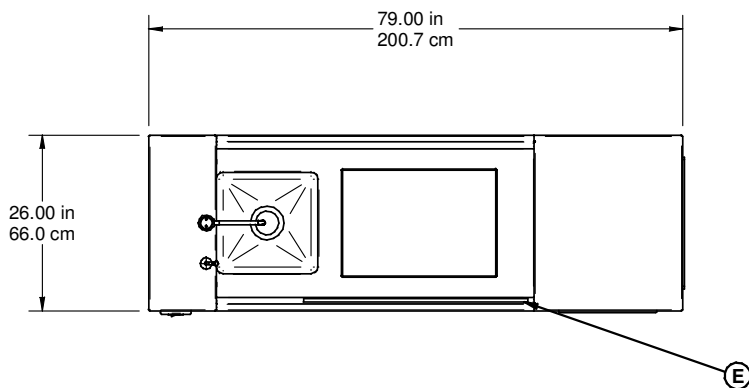
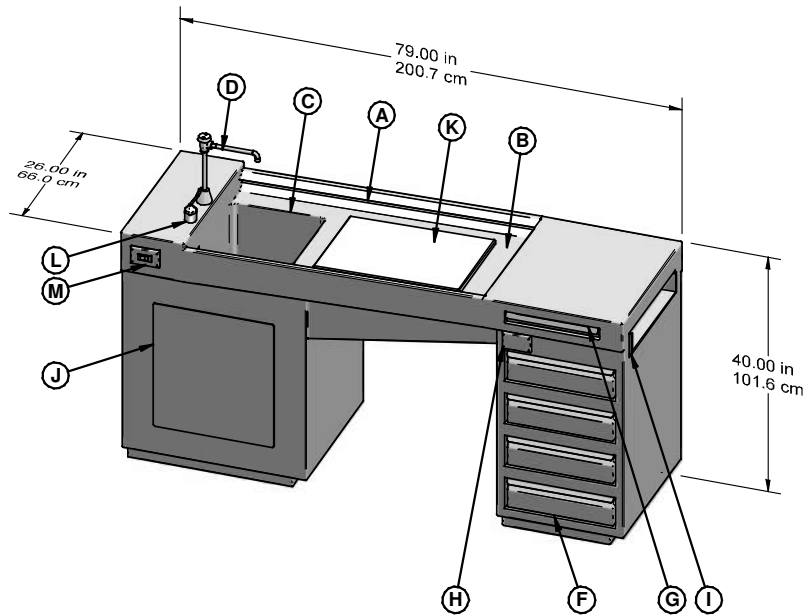
MD100 Island Workstation

STANDARD FEATURES

- A Perimeter Ventilation
- B Sloped Work Surface
- C Sink – 15" x 15" x 10"
- D Fixture w/Swing Spout
- E In/cm Ruler
- F Storage Drawer (4)
- G Pull Out Writing Ledge
- H GFCI Electrical Outlet (3)
- I Pull Out Dictation Platform
- J Storage Cabinet with Access Panel
- K Dissection Board
- L Mixing Valve
- M Main Circuit Breaker Switch

OPTIONAL FEATURES

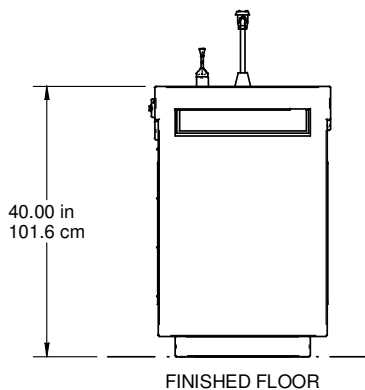
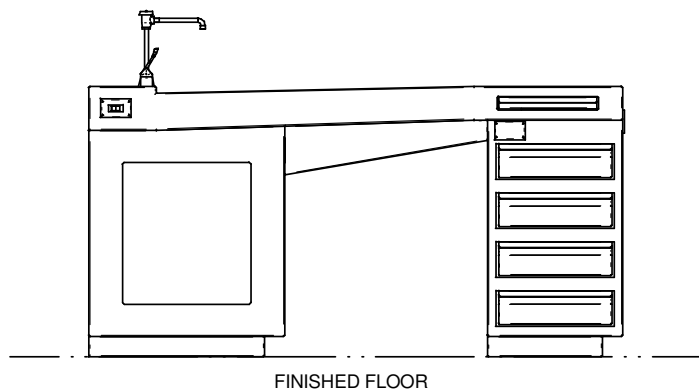
- MO007 Foot Pedal
- MO008 Rinse Bar
- MO010 Hand Spray Rinse
- BL800 1 HP Disposal



UL 61010:2004

CAN/CSA-C22.2

NFPA 79-2002



MK100 Elevating Grossing Station with Bridge

1

2

3

4

5

6

7

8

9

10

11



The MK100 is an elevating, two sided, ventilated grossing station designed to allow technicians access to either side of the work surface. Designed with an overhead bridge and a grid plate work surface that elevates between 32" - 40" (81.3 cm - 101.6 cm); multiple technicians of varying heights can find the most agreeable elevation to perform their duties without back strain. Complementing this health benefit is Mopec's Downdraft Ventilation System. It eliminates respiratory strain by directly ventilating the grid plate surface. The large 58" x 27", (147.3 cm x 68.5 cm) dual access work surface provides more than enough workspace to handle any procedure and enhances laboratory safety and efficiency.

The slim base feature and broad work surface undercuts allow for seated use in the lowered position as well as standing access when raised. The work surface features: four perforated grid plates, integrally formed deep sink, water fixture with wrist blade handles, integrated hand spray rinse system and formalin pour off basin with fine-particle screen insert.

The fixed overhead bridge allows for mounting of options and standard conveniences such as: recessed fluorescent lighting, MO014 Video/Camera Arm, paper towel holders, and MO015 Halogen Task Lights.

The MK100 requires limited field hookups: All internal utilities, i.e., plumbing and electrical, are factory installed and tested. Mopec products make for easy installation and swift commission of equipment.

MK100 Standard Features

Water Fixture: Swing spout faucet with built in vacuum breaker. Has easily accessible wrist blade handles for hot and cold water control.

Paper Towel Holder: Stainless steel paper towel dispenser, conveniently located over the sink area for easy access.

Grid Plates: Work surface is comprised of four 14 gauge stainless steel perforated grid plates

Cutting Board: Constructed of durable white polyethylene, this 16" x 23" x 3/4" (40.6 cm x 58.4 cm x 1.9 cm) textured dissection board makes an ideal background for specimen photography.

Electrical: Includes one GFCI protected duplex receptacle with water tight cover.

Light Fixture: High output, high efficiency, dual bulb fluorescent light fixture in a water and shatter resistant enclosure. Provided with water tight on/off switch.

Hand Spray Rinse: Chrome plated, brass spray valve with soft spray head for easy positioning while rinsing.

Formalin Pour Off: Port in work surface piped to carboy for formalin collection after procedure. Complete with funnel and mesh screen for easy pouring.

MK100 Optional Features

MO007 Hot/Cold Foot Pedal: Includes a dual foot pedal hot/cold water control valve and swing spout faucet for hands free control. Eliminates the need for wrist blade handles with this option.

MO037 LCD Flat Screen/Keyboard Adjustable Arm System: Allows positioning of your mounted flat screen and keyboard for greater visibility. Effortlessly reposition your display up, down, forward, and/or back to the most comfortable interactive position for seated or standing use. Flat screen, monitor, keyboard and computer not included.

MO028 Computer CPU Bracket: Adjustable mounting bracket for your CPU, keyed to mounting plate with two pins for easy installation or removal. Includes additional water tight GFCI, located opposite of sink and outside of the unit.

MO051 Formalin Dispensing System - Cubitainer Style: System includes self-priming pump, with pressure switch, and slide out stainless steel drawer for 2-1/2 (9.5 L) gallon formalin cubitainer. Allows for self-sealing connections.

BL800 Disposal: Heavy-duty 1 HP disposal, complete with on/off switch, water solenoid, and vacuum breaker.

CP001 Communication Port: Two port Ethernet receptacle allows for connection to in house network. Requires facilities

ISO: Quality Management System in compliance with ISO 9001:2008 and applies: Design, Engineering, Manufacturing and Installation of Equipment Distribution of Supplies for Morgue, Pathology, Histology and Necropsy Applications.

APPROVAL: TUV Listed & Certified: Tests to UL61010-1 :2004 standards in addition to CAN/CSA and NFPA standards. This listing covers the entire product as an entity and not just individual components.

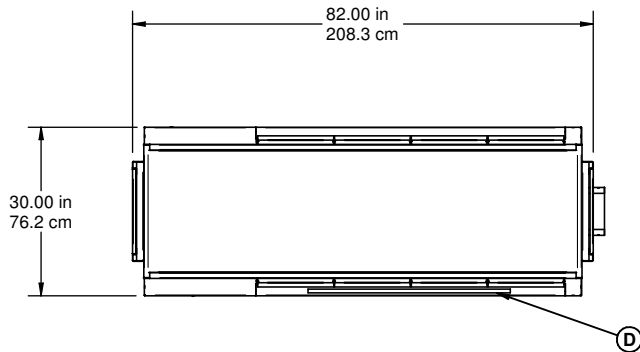
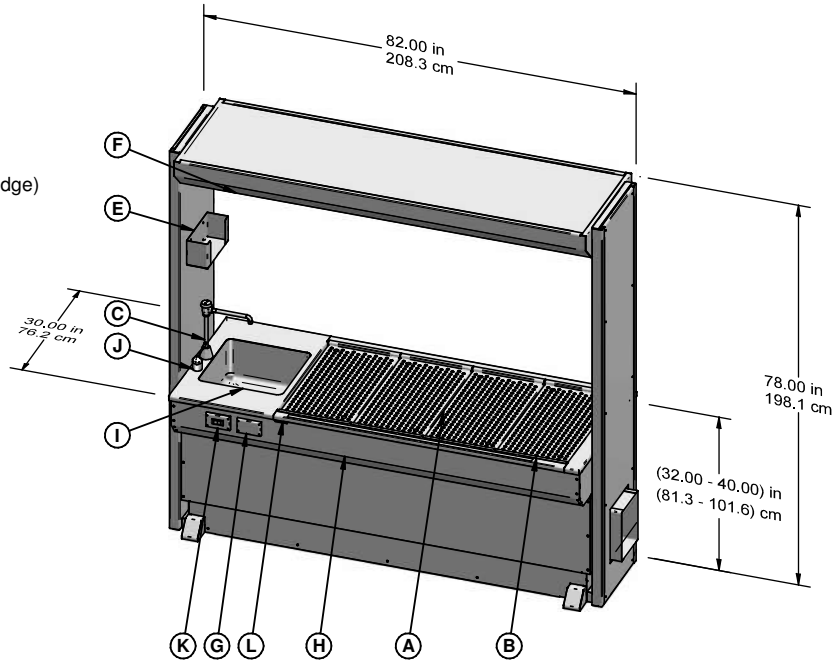
MK100 Elevating Crossing Station with Bridge

STANDARD FEATURES

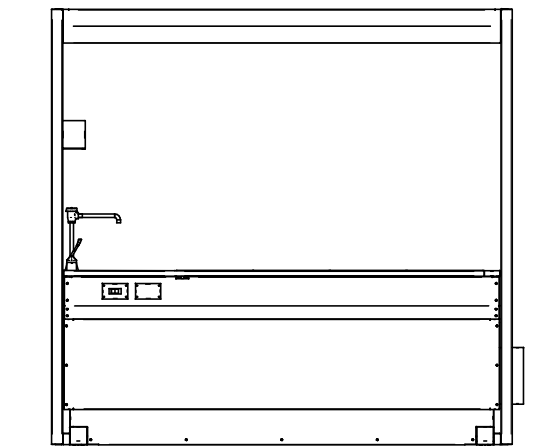
- A Down-Draft Ventilation
- B Removable Grid Plates (4)
- C Fixture w/Swing Spout
- D In/cm Ruler
- E Towel Dispenser
- F Recessed Fluorescent lighting (in bridge)
- G GFCI Electrical Outlet (2)
- H Elevating Work Pedestal
- I Sink – 16" x 16" x 8"
- J Mixing Valve
- K Main Circuit Breaker Switch
- L Fluorescent Light Switch

OPTIONAL FEATURES

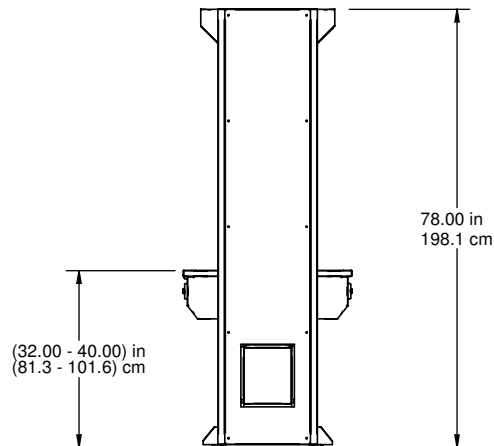
- See Options List



UL 61010:2004
CAN/CSA-C22.2
NFPA 79-2002



FINISHED FLOOR



FINISHED FLOOR



MK200 Elevating Crossing Station

1

2

3

4

5



6

The MK200 is an elevating, two sided, ventilated grossing station that is designed to allow technicians access to either side of the work surface. Designed with a grid plate work surface that elevates between 32" - 40" (81.3 cm – 101.6 cm); multiple technicians of varying heights can find the most agreeable elevation to perform their duties without back strain.

Complimenting this health benefit, Mopec's Downdraft Ventilation System eliminates respiratory strain familiar to any lab technician by directly ventilating the grid plate surface. The large 58" x 27" (147.3 cm x 68.5 cm), dual access work surface provides more than enough workspace to handle any procedure and enhances laboratory safety and efficiency.

The slim base feature and broad work surface undercuts allow for seated use in the lowered position as well as standing access when raised. The work surface features four perforated grid plates, integrally formed deep sink, water fixture with wrist blade handles, integrated hand spray rinse system and formalin pour off basin with fine-particle screen insert.

The MK200 is constructed entirely of stainless steel and features a fixed bottom base, accompanied by an elevating work surface. Pinch points are eliminated due to overlapping skirts surrounding base and underside of work surface. The MK200 requires limited field hookups: All internal utilities, i.e., plumbing and electrical, are factory installed and tested. Mopec products make for easy installation and swift commission of equipment.

MK200 Standard Features

Water Fixture: Swing spout faucet with built in vacuum breaker. Has easily accessible wrist blade handles for hot and cold water control.

Hand Spray Rinse: Chrome plated, brass spray valve with soft spray head for easy positioning while rinsing.

Grid Plates: Work surface is comprised of four 14 gauge stainless steel perforated grid plates.

Cutting Board: Durable white polyethylene dissection board makes an ideal background for specimen photography.

Electrical: Includes one GFCI protected duplex receptacle with water tight cover.

Formalin Pour Off: Port in work surface piped to carboy for formalin collection after procedure. Complete with funnel and mesh screen for easy pouring.

MK200 Optional Features

MO007 Hot/Cold Foot Pedal: Includes a dual foot pedal hot/cold water control valve and swing spout faucet for hands free control. Eliminates the need for wrist blade handles with this option.

MO051 Formalin Dispensing System - Cubitainer Style: System includes self-priming pump, with pressure switch, and slide out stainless steel drawer for 2-1/2 (9.5 L) gallon formalin cubitainer. Allows for self-sealing connections.

BL800 Disposal: Heavy-duty 1 HP disposal, complete with on/off switch, water solenoid, and vacuum breaker.

ISO: Quality Management System in compliance with ISO 9001:2008 and applies: Design, Engineering, Manufacturing and Installation of Equipment Distribution of Supplies for Morgue, Pathology, Histology and Necropsy Applications.

APPROVAL: TUV Listed & Certified: Tests to UL61010-1 :2004 standards in addition to CAN/CSA and NFPA standards. This listing covers the entire product as an entity and not just individual components.

10

11

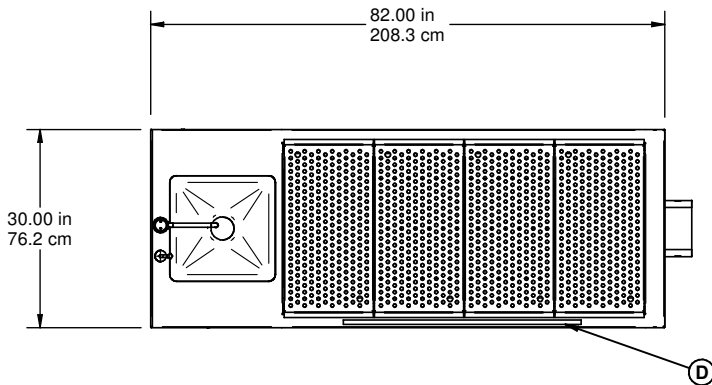
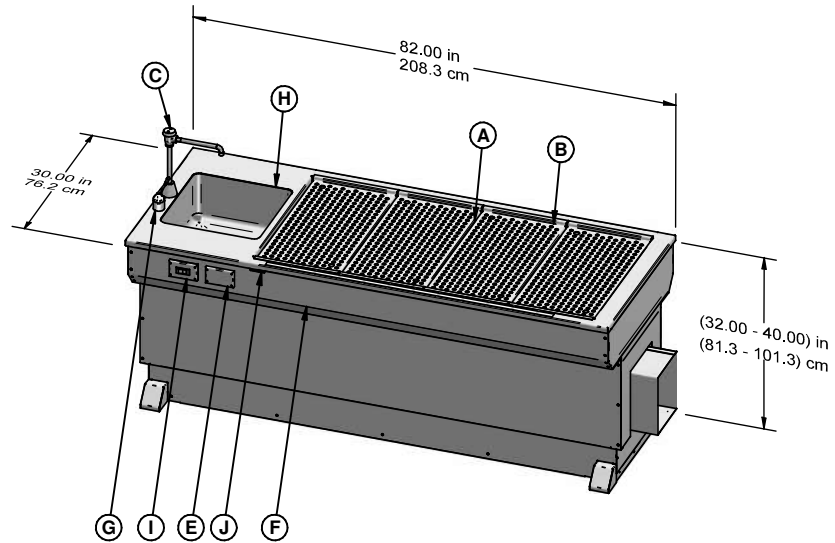
MK200 Elevating Crossing Station

STANDARD FEATURES

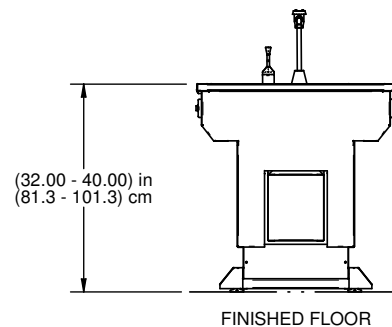
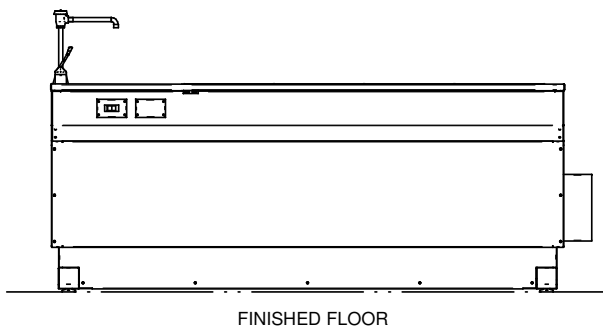
- A Down-Draft Ventilation
- B Removable Grid Plates (4)
- C Fixture w/Swing Spout
- D In/cm Ruler
- E GFCI Electrical Outlet (2)
- F Elevating Work Pedestal
- G Mixing Valve
- H Sink – 16" x 16" x 8"
- I Main Circuit Breaker Switch
- J Elevation Switch

OPTIONAL FEATURES

- See Options List



UL 61010:2004
CAN/CSA-C22.2
NFPA 79-2002



MK300 Downdraft T-Shaped Crossing Station



MK300 shown with optional extended spray rinse and custom built vent and utility connection.

1

2

3

4

5

6

7

8

9

10

11

The MK300 is a large, T-shaped, ventilated workstation designed to accommodate up to five users. Ideal for teaching applications and multiple grossing projects. The MK300 offers: ample workspace, plenty of standard features and the appropriate safety requirements to get the job done – no matter the workload.

The downdraft system provides a safe environment, removing formalin vapors down and away from the user. The entire downdraft area is available for wet use.

The heavy-duty work surface features eight removable grid plates. The entire workstation is fabricated of 14 gauge type stainless steel with a #4 satin finish. The wings are an integral part of each table providing ample work space and are supported by pedestals which contain an access panel which is easily accessible. All welds use stainless steel filler media and all exposed welds are ground smooth and grained to match the workstation's #4 satin finish. The smooth stainless steel underside makes cleaning this workstation easy.

Equipped with Mopec's DownDraft Ventilation System, the MK300 offers a large sink, measuring 18" x 18" x 7" deep (45.7 cm x 45.7 cm x 17.8 cm) at one end with central draining. Two sink rinse fixtures are standard with all sides draining to one section in the middle. Disposal is optional.

MK300 Standard Features

Removable perforated grid plates: Eight, perforated grid plates are recessed 1/2" and supported on the table edge.

Fabrication: All welding is TIG type with only stainless steel as a filler media.

Faucet with Swing Spout: A hot/cold water faucet with a single lever mixing valve is conveniently located at the top center of the large sink. The swing spout faucet includes a vacuum breaker for potable water protection.

Sink Rinse Fixture: Located on either side of the hot/cold water fixture are two sink rinsing fixtures with cold water spray control.

Frame: The frame is constructed of 1" square tubing using all welded construction.

Utilities: All internal plumbing and electrical lines are factory installed and require only trade hookup.

ISO: Quality Management System in compliance with ISO 9001:2008 and applies: Design, Engineering, Manufacturing and Installation of Equipment Distribution of Supplies for Morgue, Pathology, Histology and Necropsy Applications.

APPROVAL: TUV Listed & Certified: Tests to UL61010-1 :2004 standards in addition to CAN/CSA and NFPA standards. This listing covers the entire product as an entity and not just individual components.

MK300 Optional Features

BL800 Disposal: Heavy-duty 1 HP disposal, complete with on/off switch, water solenoid and vacuum breaker.

MO054 Scale stand: Table mounted scale support socket. The scale includes a support socket and a support tube allowing the scale to swing over and drain into the sink. Scale and pan not included.

MO055 Extended Spray Rinse: Extended spray rinse allows for easy cleaning of workstation.

MO056 Replaceable Ruler Inch/Centimeter: Washable, easy to read, inch and centimeter ruler is placed on the inside lip of the trimming area. A special coating protects the ruler from most laboratory chemicals.

Unit can be customized to fit your lab requirements with other additional options.

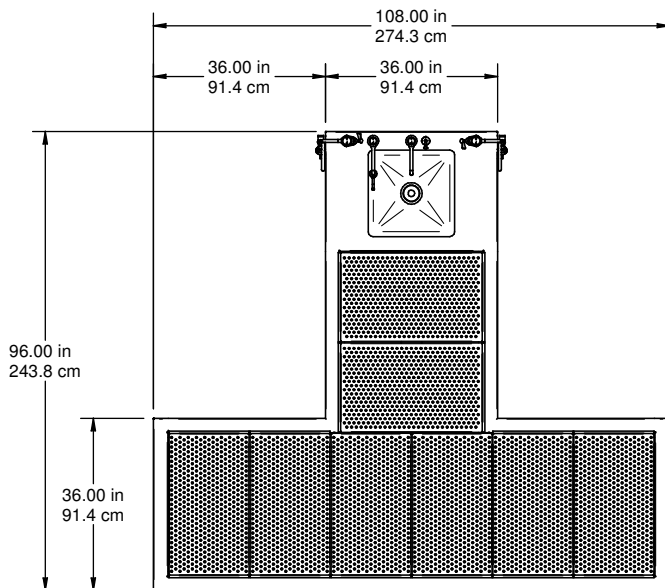
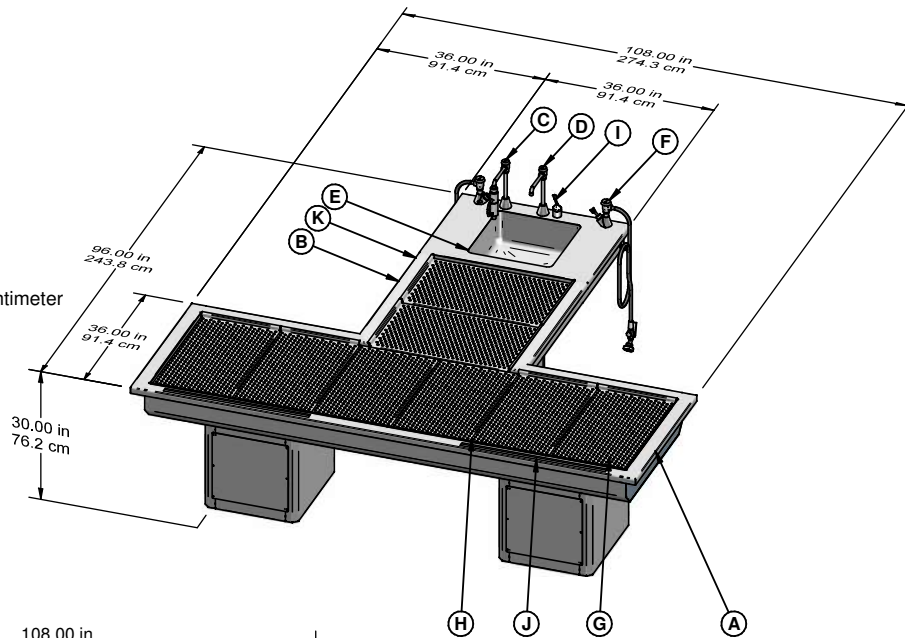
MK300 Downdraft T-Shaped Crossing Station

STANDARD FEATURES

- A Table Top
- B GFCI Electrical Outlet (2)
- C Hydro Aspirator
- D Fixture w/Swing Spout
- E Sink – 18" x 18" x 7.5"
- F Hand Spray (2)
- G Removable Grid Plates (8)
- H Down Draft Ventilation System
- I Mixing Valve
- J Inch/Centimeter Scale
- K Main Circuit Breaker Switch

OPTIONAL FEATURES

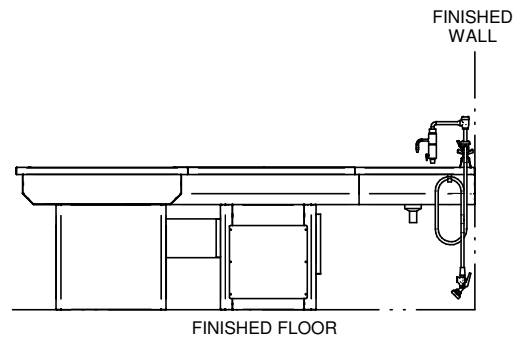
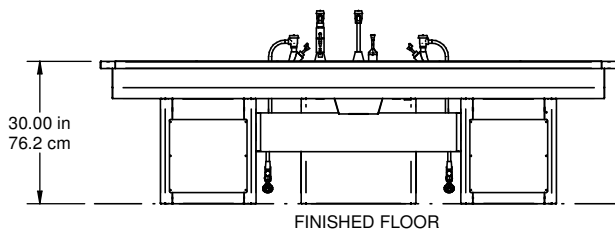
- MO054 Scale Stand Table Mount
- MO055 Extended Spray Rinse
- MO056 Replaceable Ruler/Inch Centimeter
- BL800 1 HP Disposal



CE



UL 61010:2004
CAN/CSA-C22.2
NFPA 79-2002



H Series Optional Features

1

H0004 Foot Pedal

Includes a dual foot pedal H/C water control valve and swing spout faucet for hands free control. Eliminates the need for wrist blade handles with this option.

Not available on: HH100 and HK200



H0014 Perimeter Rinse

Provides a consistent, three-sided, rinse to work surface. Virtually eliminates the accumulation of debris and fluids in the dissection area. Control valve included for water flow adjustment.

Not available on: HG500, HG600 and HK300



2

H0007 Hand Spray Rinse

Chrome plated, brass hand sprayer with soft spray head for controlled rinsing of work surface. Complete with 60" high pressure hose for heavy-duty use. Control valve included for pressure control, along with atmospheric vacuum breaker for water protection.

Not available on HK200



H0015 Formalin Collection System

System includes collection funnel with fine particle screen, 2.5 gallon (9.5L) waste collection carboy with easy grip handles, piping to waste carboy, quick disconnects and safety caps for disposal or recycling. Formalin not included.

Available on: HC Series, HG500, HG600, HH100, HI Series, HK300 and HL Series



3

4

5

H0008 Gas Valve - Deck Mounted

Laboratory gas fitting with 1/4" turn on/off valve, turret base and serrated hose fitting.

Not available on HK200



Deck mount style

H0016 Formalin Dispensing System - Cubitainer

System includes self priming pump, with pressure switch and slide out stainless steel drawer for 2.5 gallon (9.5 L) formalin cubitainer. Allows for self sealing connections.

Available on: HC Series, HG500, HG600, HH100, HI Series, HK300 and HL Series



6

7

H0009 Air Valve - Deck Mounted

Laboratory air fitting with 1/4" turn on/off valve, turret base and serrated hose fitting.

Not available on HK200



H0018 Pneumatic Foot Pedal

Pneumatic foot operated water control. Toggles on/off with the press of your foot. Requires hand operated mixing valve next to faucet. Not compatible with option H0004 foot pedal.

Not available on HK200



8

H0010 Safety Eye Wash - Deck Mounted

Deck mounted eye wash spray valve with retracting hose and vacuum breaker protection.

Not available on HK200



H0020 Flammable Storage Cabinet

Lower base cabinet designed to hold flammable liquids, this 22 gallon (22.8 L) capacity cabinet features adjustable shelving for easy, safe, and versatile storage.

Available on HL Series



9

H0011 Fluorescent Lighting

High output, high efficiency, dual bulb fluorescent light fixture in a water and shatter resistant enclosure. Provided with a water tight on/off switch.

Available on: HC Series, HH100, HI100, HI150 and HL Series

10

11

H Series Optional Features

H0019 Stainless Steel Sink with Water Fixture

Large 16" x 14" x 10" (40.6 cm x 35.6 cm x 25.4 cm) integrally formed sink with swing spout faucet and built in vacuum breaker.

Available on HL Series



H0022 Recessed Top

Top is fabricated with a 1" deep recess. Top is boarded on 3 sides with a 2-1/2" wide raised perimeter land. Top with sink(s) option are creased toward the sink to promote water drainage.

Available on HL Series

H0023 PVC Faucet for Treated Water

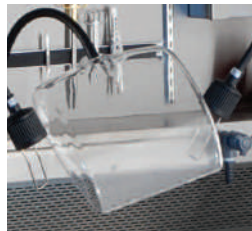
PVC faucet for dispensing de-ionized water

Not available on: HG500, HG600, HH100 or HK200

H0027 Safety Splash Shield

Clear Lexan® shield, on a flexible arm for easy positioning. Provides an additional splatter barrier between you and the specimen.

Available on: HG500, HG600, HH100, HI150, HK300 and HL Series



H0029 Scale Stand Table Mount

Table mounted scale support socket. The stand includes a support socket and a support tube allowing the scale to swing over and drain into the sink. Scale and pan not included.

Not available on: HG300, HG400, HG500, HG600 or HK200



BL800 Waste Disposal

Heavy-duty 1 HP disposal, complete with on/off switch, water solenoid, vacuum breaker.

Not available on: HG Series, HH100 or HK200



CP001 Communication Port

Two port Ethernet receptacle allows for connection to in house network. Requires facilities network tie-in.

Available on: HC Series and HL Series



CP002 Communication Wire Chase

Conduit organizes network cables, eliminating clutter around your workstation.

Available on: HC Series and HL Series



BL007 Laboratory Mixing Faucet

Dual hand/foot water control faucet includes wrist blade handles. For use with standard foot pedals.

Not available on: HH100 or HK200

BL047 Laboratory Mixing Faucet

Dual hand/foot water control faucet includes wrist blade handles. For use with pneumatic foot pedals.

Not available on: HH100 or HK200

SA100 Seismic Anchoring Bracket

Heavy duty vibration control mounts.

Available on all models



Mopec has developed a complete line of grossing stations to fit your individual laboratory requirements. Each workstation can be customized with a variety of options - all at an affordable price

- 1
- 2
- 3
- 4
- 5
- 6
- 7
- 8
- 9
- 10
- 11

HC Series Dissection Tables

1

2

3

4

5



Modified HC100 (center sink)

6

7

8

9

10

11

The HC Series dissection tables are a versatile and economical addition to any pathology or histology laboratory. Designed with an integral fume hood and a shatter proof clear Lexan® splash shield, the HC Series brings safety to the forefront of laboratory equipment. Not only does this unit reduce the exposure to fumes familiar to any lab technician, the Lexan® shield and fume hood end plates reduce the risk of splashing, another laboratory danger.

Aside from their splash shields, the HC Series dissection tables are constructed entirely of stainless steel and features a sloping work surface, extra large sink, and robust leg frame that supports the entire table top and fume hood. Designed according to standard architectural parameters, an HC Series will fit into most cabinet schemes and includes additional standard conveniences such as: recessed fluorescent lighting, GFCI outlet, and swing spout faucet with wrist blade handles. The HC Series will enhance and expand your lab's grossing capacity.

Requires limited field hookups: All internal utilities, i.e., plumbing and electrical, are factory installed and tested. Mopec products make for easy installation and swift commission of equipment.

HC Series Standard Features

Vent Hood: Fabricated from 18 gauge stainless steel, hood is complete with vent tie-in collar, side end plates and splash shield.

Fluorescent Light Fixture: A high output, high efficiency, two lamp low profile fluorescent light fixture.

Splash Shield: Full length clear Lexan® safety splash-shield is mounted within a continuous channel and fixed to vent hood.

Water Fixture: Swing spout faucet with built in vacuum breaker. Has easily accessible wrist blade handles for hot and cold water control.



HC350 (84"), left sink

Electrical: Includes one GFCI protected duplex receptacle with water tight cover.

Frame: Constructed of 1-1/2" square tubing and 16 gauge stainless steel. All welded construction with each mating tube having a continuous bead weld free of burrs and discoloration. Angle gussets located on each corner prevents any racking. Adjustable feet for leveling.

ISO: Quality Management System in compliance with ISO 9001:2008 and applies: Design, Engineering, Manufacturing and Installation of Equipment Distribution of Supplies for Morgue, Pathology, Histology and Necropsy Applications.

APPROVAL: TUV Listed & Certified: Tests to UL61010-1 :2004 standards in addition to CAN/CSA and NFPA standards. This listing covers the entire product as an entity and not just individual components.

Contact Mopec for additional customization.

HC Series Dissection Tables

L = Length	V = Vent Tie-In	Sink	Product No.
60" (152.4 cm)	4" x 36" (10.2 cm x 96.4 cm)	Right	HC100
60" (152.4 cm)	4" x 36" (10.2 cm x 96.4 cm)	Left	HC150
72" (182.9 cm)	4" x 48" (10.2 cm x 121.9 cm)	Right	HC200
72" (182.9 cm)	4" x 48" (10.2 cm x 121.9 cm)	Left	HC250
84" (213.4 cm)	4" x 60" (10.2 cm x 152.4 cm)	Right	HC300
84" (213.4 cm)	4" x 60" (10.2 cm x 152.4 cm)	Left	HC350
84" (213.4 cm)	4" x 60" (10.2 cm x 152.4 cm)	Center	HC375

HC Series Dissection Tables

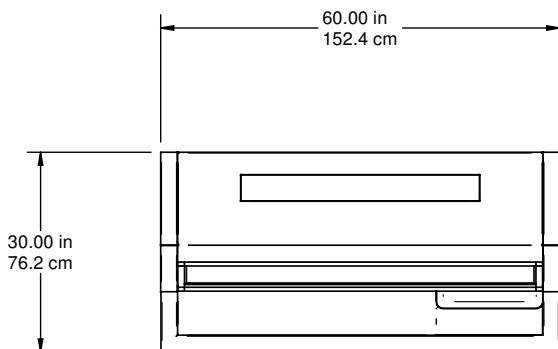
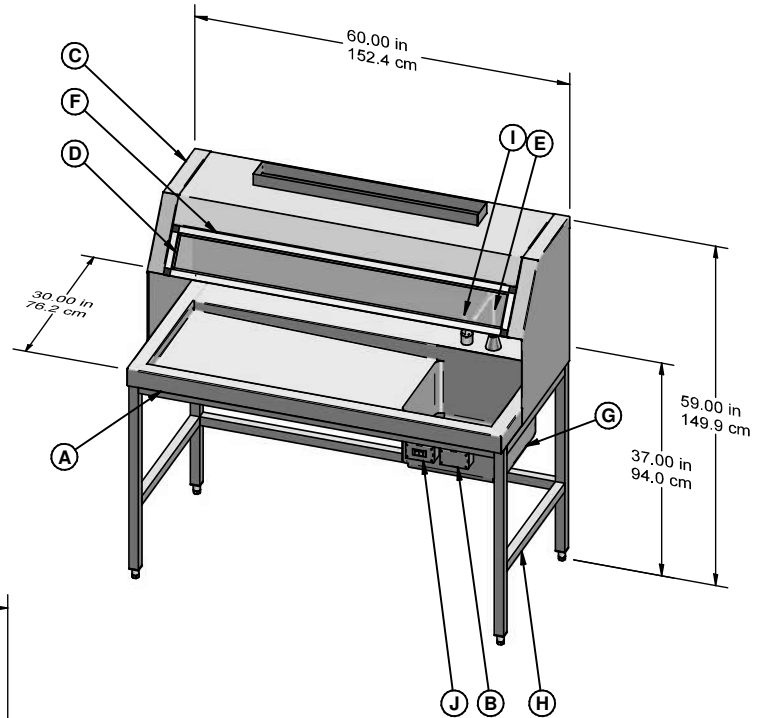
HC100 Shown

STANDARD FEATURES

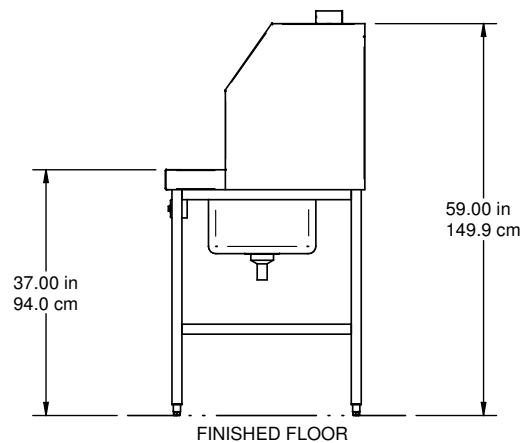
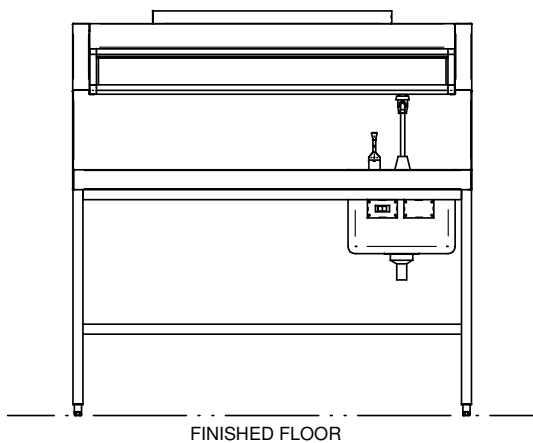
- A Work Surface
- B GFCI Electrical Outlet
- C Vent Hood
- D Lexan Splash Shield
- E Fixture w/Swing Spout
- F Light Fixture
- G Sink – 16" x 16" x 10"
- H Leg Frame
- I Mixing Valve
- J Main Circuit Breaker Switch

OPTIONAL FEATURES

- HO007 Hand Spray Rinse
- BL800 1 HP Disposal



UL 61010:2004
CAN/CSA-C22.2
NFPA 79-2002



HG Series Totaldraft Crossing Stations

1

2

3

4

5

6

7

8

9

10

11



HG300 Totaldraft, left sink approach



HG300 Totaldraft, right sink approach

The HG300 and HG400 island style grossing stations are free-standing units designed for central lab placement and operation on all sides. Ideally situated between larger work cells, these island style grossing stations are great transitional work stations as well as capable standalone units. Equipped with Mopec's Total Downdraft Ventilation System, the HG island style grossing station also ensures a safe lab environment. By continuously moving air across the entire work surface, these grossing stations eliminate exposure to harsh lab fumes familiar to any technician. The HG300 and HG400 grossing stations greatly enhance laboratory safety and efficiency by linking opposite sides of your laboratory together, expanding your capabilities.

The HG series grossing stations offer unmatched quality as well. Constructed entirely of stainless steel, each HG is equipped with an extra large integrally constructed 12" x 12" x 9" deep (30.5 cm x 30.5 cm x 22.9 cm) sink, and a heavy gauge top-surface. Ensures long service life and allows for convenient handling of large specimens and/or containers. The work surface is comprised of heavy gauge, self supporting, grid plates designed for ventilation and easy cleaning; ensuring that operation and maintenance are hassle free.

Requires limited field hookups: All internal utilities, i.e., plumbing and electrical, are factory installed and tested. Mopec products make for easy installation and swift commissioning of equipment.

HG300 and HG400 Standard Features

Support Pedestal: All stainless steel construction. Fabricated of 18 gauge stainless steel, the support pedestal is complete with access panel. The cabinet is fabricated for heavy-duty use. Material finish is #4 satin finish.

Hot/Cold Fixture: Hot/cold water fixture with swing spout and vacuum breaker.

Electrical: One watertight GFCI duplex receptacle for safe use of all electrical devices.

ISO: Quality Management System in compliance with ISO 9001:2008 and applies: Design, Engineering, Manufacturing and Installation of Equipment Distribution of Supplies for Morgue, Pathology, Histology and Necropsy Applications.

APPROVAL: TUV Listed & Certified: Tests to UL61010-1 :2004 standards in addition to CAN/CSA and NFPA standards. This listing covers the entire product as an entity and not just individual components.

HG Series Totaldraft Stations

L = Length	Sink	Product No.
60" (152.4 cm)	Right	HG100
60" (152.4 cm)	Left	HG200
72" (182.9 cm)	Right or Left	HG300
84" (213.3 cm)	Right and Left	HG400

HG100 and HG200 Totaldraft Crossing Stations

The HG100 grossing station is a freestanding unit designed with a backsplash and frontal access only. Easily integrated into your existing cabinet and countertop scheme, the HG100 is a very capable standalone unit. Equipped with Mopec's TotalDraft Ventilation System, this HG style grossing station also ensure a safe lab environment. By continuously moving air across the entire work surface, this grossing station eliminates exposure to harsh lab fumes familiar to any technician. The HG100 grossing station easily integrates itself into your workflow, expanding your lab capabilities.

The HG100 offers unmatched quality as well. Constructed entirely of stainless steel, this unit is equipped with an

extra large integrally constructed 12" x 12" x 9" deep (30.5 cm x 30.5 cm x 22.9 cm) sink, and a heavy gauge top-surface with 4" (10.2 cm) backsplash. This ensures long service life and allows for convenient handling of large specimens and/or containers. The work surface is comprised of heavy gauge, self supporting, grid plates designed for ventilation and easy cleaning ensuring that operation and maintenance are hassle free.

Requires limited field hookups: All internal utilities, i.e., plumbing and electrical, are factory installed and tested. Mopec products make for easy installation and swift commission of equipment.

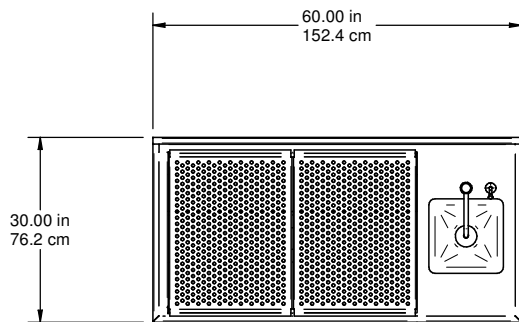
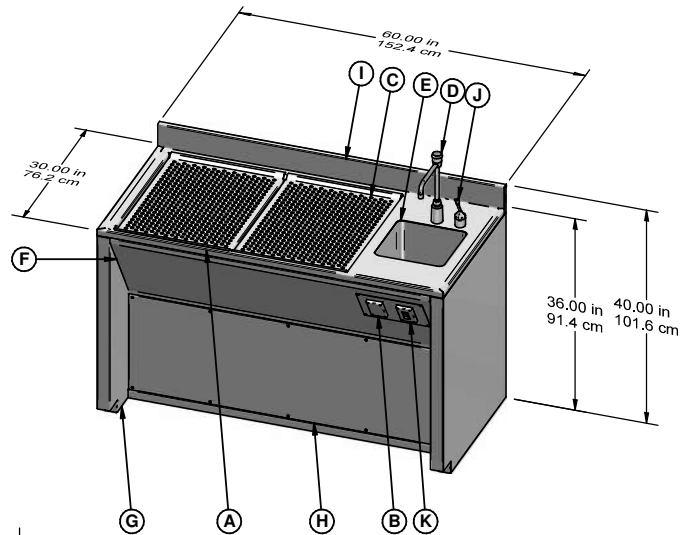
STANDARD FEATURES

- A Work Surface
- B GFCI Electrical Outlet
- C Removable Grid Plates (2)
- D Fixture w/Swing Spout
- E Sink – 12" x 12" x 9"
- F Down Draft Vent Chamber
- G Knee Recess
- H Access Panel
- I 4" Backsplash
- J Mixing Valve
- K Main Circuit Breaker Switch

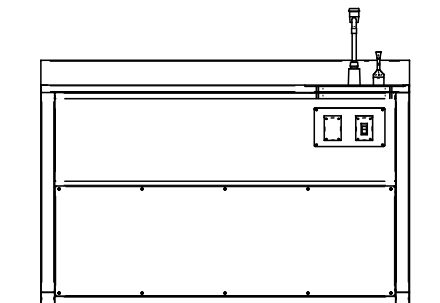
OPTIONAL FEATURES

- HO007 Hand Spray Rinse
- BL800 1 HP Disposal

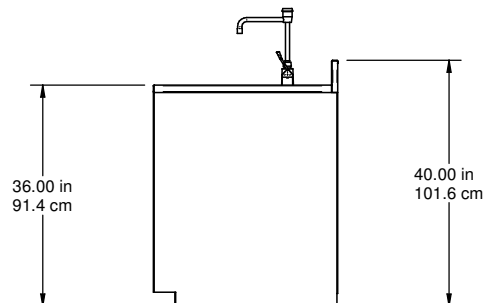
HG100 Shown



UL 61010:2004
CAN/CSA-C22.2
NFPA 79-2002



FINISHED FLOOR



FINISHED FLOOR



HG300 Totaldraft Island Station

1

2

3

4

5

6

7

8

9

10

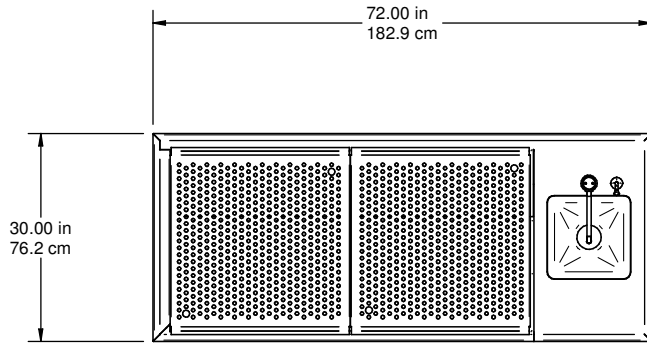
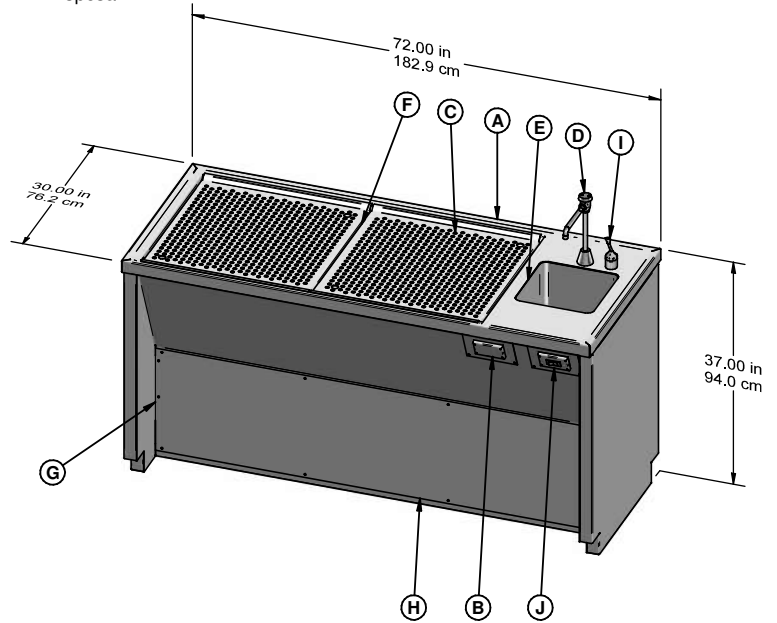
11

STANDARD FEATURES

- A Work Surface
- B GFCI Electrical Outlet (2)
- C Removable Grid Plates (2)
- D Fixture w/Swing Spout
- E Sink – 12" x 12" x 9"
- F Down Draft Vent Chamber
- G Knee Recess (Both Sides)
- H Access Panel
- I Mixing Valve
- J Main Circuit Breaker Switch

OPTIONAL FEATURES

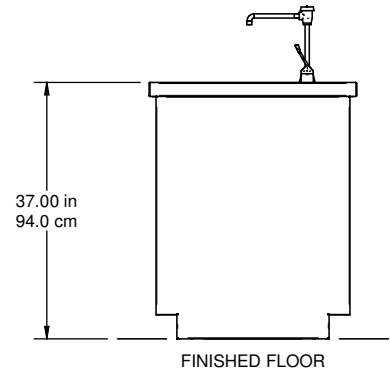
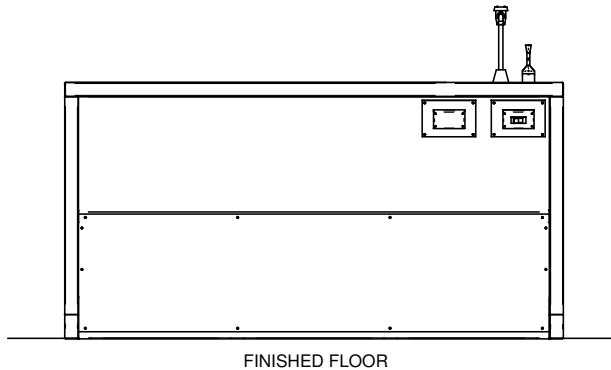
- HO007 Hand Spray Rinse
- BL800 1 HP Disposal



UL 61010:2004

CAN/CSA-C22.2

NFPA 79-2002



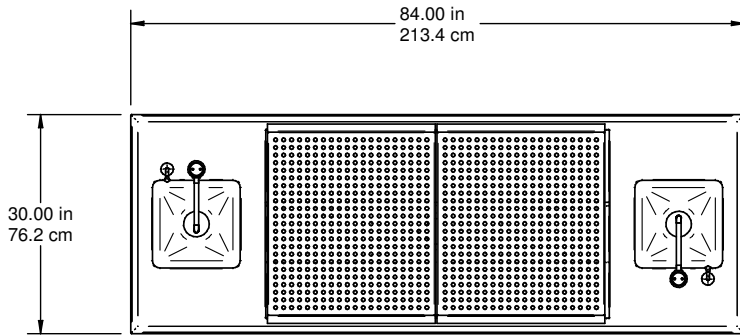
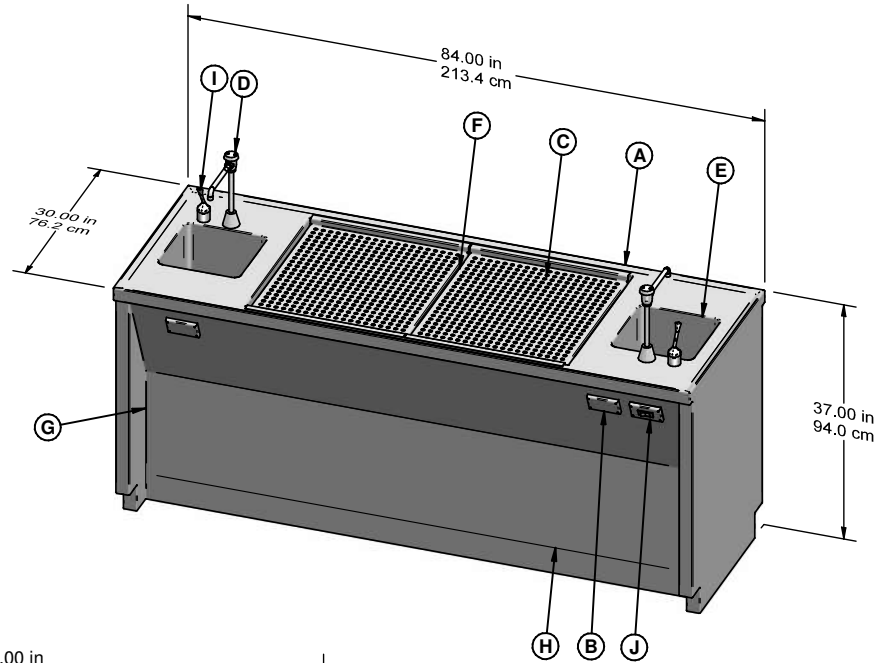
HG400 Totaldraft Island Station

STANDARD FEATURES

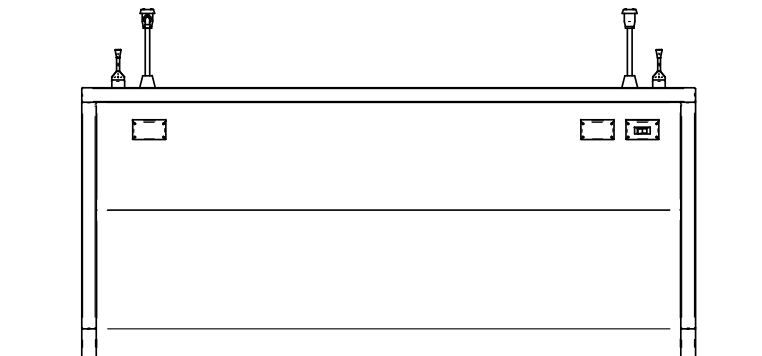
- A Work Surface
- B GFCI Electrical Outlet (4)
- C Removable Grid Plates (2)
- D Fixture w/Swing Spout (2)
- E Sink – 12" x 12" x 9" (2)
- F Down Draft Vent Chamber
- G Knee Recess (Both Sides)
- H Access Panel
- I Mixing Valve (2)
- J Main Circuit Breaker Switch

OPTIONAL FEATURES

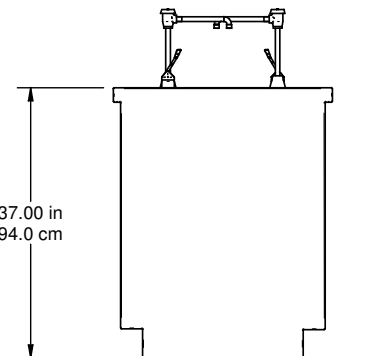
- HO007 Hand Spray Rinse
- BL800 1 HP Disposal



UL 61010:2004
CAN/CSA-C22.2
NFPA 79-2002



FINISHED FLOOR



FINISHED FLOOR



HG500 and HG600 Downdraft Grossing Workstation

1

2

3

4

5



HG600 (standing height) shown with optional hand spray and foot pedals



HG500 (sitting height) shown with optional hand spray and foot pedals

6

7

8

9

The HG500 and HG600 are unique and economical downdraft style tables that include a multifunctional work surface for specimen dissection. Designed for either sitting or standing operation, the large open work area has ample counter top space to layout all dissection materials.

Equipped with Mopec's Downdraft Ventilation System, the HG500 and HG600 units ensure a safe work environment as well, pulling off gas away from the technician. These grossing stations are constructed of all stainless steel and can be highly customized to accommodate special requirements.

HG500 sitting height and HG600 standing height is 30" (76.2 cm) and 37" (94 cm) from finished floor line respectively.

ISO: Quality Management System in compliance with ISO 9001:2008 and applies: Design, Engineering, Manufacturing and Installation of Equipment Distribution of Supplies for Morgue, Pathology, Histology and Necropsy Applications.

APPROVAL: TUV Listed & Certified: Tests to UL61010-1 :2004 standards in addition to CAN/CSA and NFPA standards. This listing covers the entire products as an entity and not just individual components.

Product Description

Product No. HG500 – Sitting Height - 30" (76.2 cm)

Product No. HG600 – Standing Height - 37" (93.9 cm)

HG500/HG600 Standard Features

Downdraft System Design: Down draft system maintains a consistent distribution of airflow over entire working area. Duct stubs are included for connection to facility ventilation system.

Grid Plate: Large grid plate is designed for flush fit with table edge.

Water Fixture: Swing spout faucet with built in vacuum breaker - Has easily accessible wrist blade handles for hot and cold water control. Wrist blade handles are not compatible with foot pedal option.



Order the ErgoPath Chair to accompany the HG500

With many unique features, your technician can sit comfortably all day long.

See page 216 Grossing Stations

10

11

HG500 and HG600 Downdraft Crossing Workstation

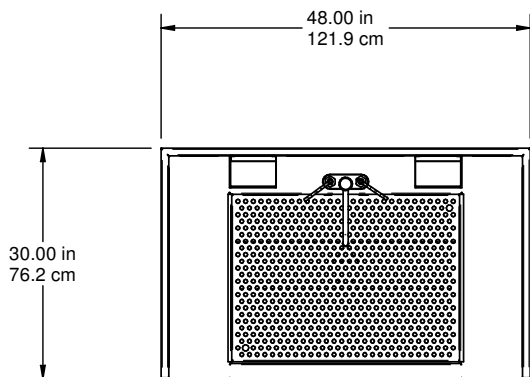
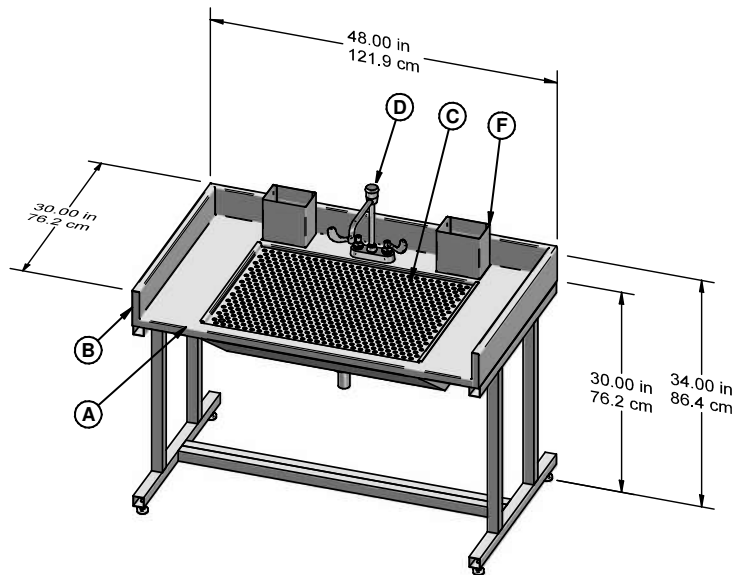
HG500 Shown

STANDARD FEATURES

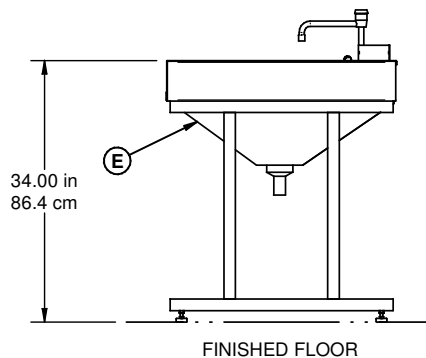
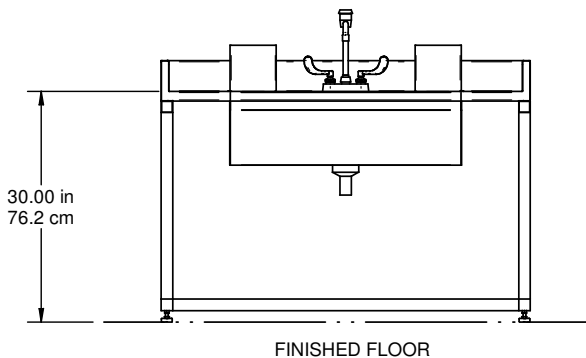
- A Work Surface
- B 4" Backsplash Surround
- C Removable Grid Plate
- D Fixture w/Swing Spout
- E Sink Basin
- F Vent Stub

OPTIONAL FEATURES

- HO007 Hand Spray Rinse
- HO004 Foot Pedal
- HO015 Formalin Collection System
- BL800 1 HP Disposal



UL 61010:2004
CAN/CSA-C22.2
NFPA 79-2002



HH100 ADA Compliant Grossing Station

1

2

3

4

5

6

7

8

9

10

11



HH100 shown with optional features.

The HH100 is an ADA compliant grossing station that has all the convenient features needed for gross dissection such as: large open leg space to accommodate a wheelchair; a large full length shelving unit; 16" x 12" x 4" deep (40.6 cm x 30.5 cm x 10.2 cm) stainless steel sink; and easy to reach fixtures and utilities. Also equipped with Mopec's Backdraft Ventilation System, the HH100 provides direct ventilation of the work surface, safely pulling specimen odors and off-gas away from the end user.



Meets ADA Requirement

Unit can be customized to fit your lab requirements with additional options. Contact Mopec with your specific needs.

HH100 Standard Features

Full Length Storage Shelf: Stainless steel, 10" deep x 64" long shelf (25.4 cm x 162.6 cm)

Water Fixture: Swing spout faucet with built in vacuum breaker. Has easily accessible wrist blade handles for hot and cold water control.

Electrical: Includes one GFCI protected duplex receptacle, with water tight cover.

NOTE: Please specify sink - right side sink standard

ISO: Quality Management System in compliance with ISO 9001:2008 and applies: Design, Engineering, Manufacturing and Installation of Equipment Distribution of Supplies for Morgue, Pathology, Histology and Necropsy Applications.

APPROVAL: TUV Listed & Certified: Tests to UL61010-1 :2004 standards in addition to CAN/CSA and NFPA standards. This listing covers the entire products as an entity and not just individual components.



HH100 ADA Compliant Crossing Station

STANDARD FEATURES

- A Low Work Surface
- B Accessible Shelf
- C GFCI Electrical Outlet
- D Fixture w/Swing Spout
- E Sink – 16" x 12" x 4"
- F Work Surface Vent
- G Leg Frame
- H Mixing Valve
- I Main Circuit Breaker Switch

OPTIONAL FEATURES

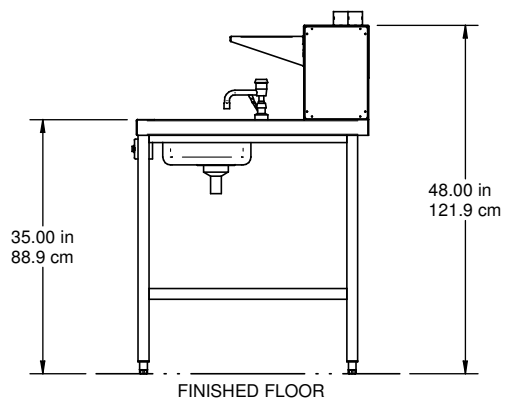
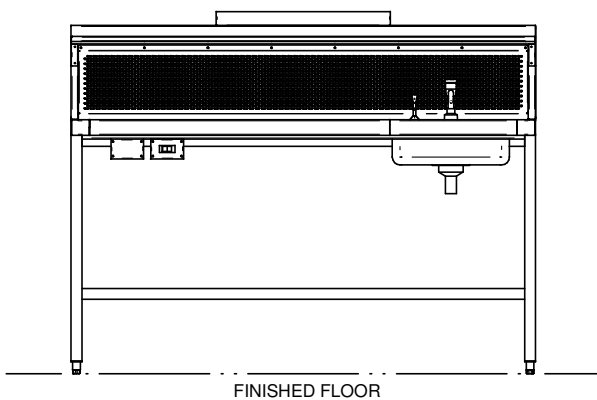
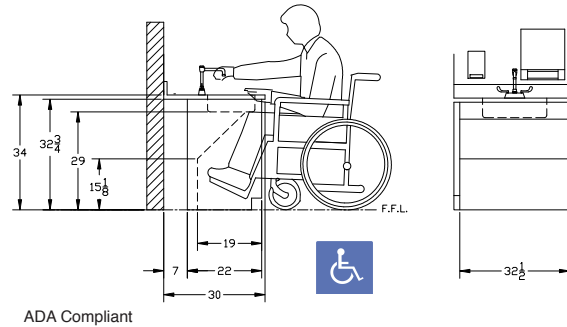
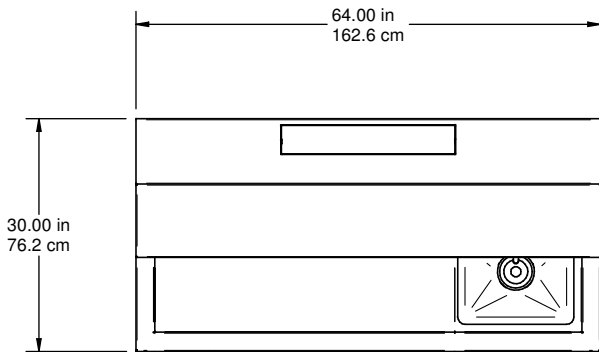
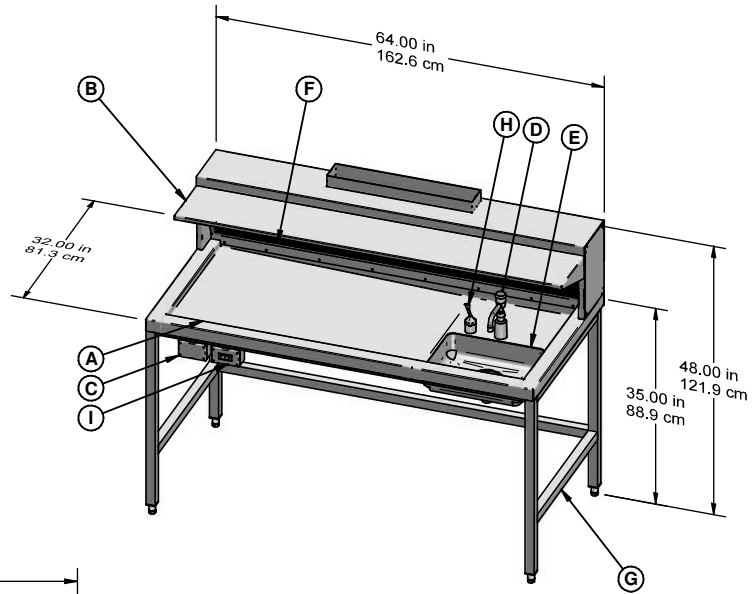
- HO007 Hand Spray Rinse
- HO011 Fluorescent Light
- HO015 Formalin Collection System
- BL800 1 HP Disposal



UL 61010:2004

CAN/CSA-C22.2

NFPA 79-2002



HI100 Dissection Table - Right Hand Sink

HI150 Dissection Table - Left Hand Sink

1

2

3

4

5

6

7

8

9

10

11



Excellent for autopsy suites, the HI100 or HI150 is a versatile and economical ventilated dissection table. Equipped with Mopec's Backdraft Ventilation System, these workstations are designed to connect to any in house ventilation system, safely pulling formalin fumes away from technicians and ensuring a safe work environment for employees. The sloped work surface is creased toward the large sink for fast drainage. The optional disposal can be utilized for complete sanitary removal of residual tissue.

Requires limited field hookups. All internal utilities, i.e., plumbing and electrical, are factory installed and tested. Mopec products make for easy installation and swift commission of equipment.

HI Series Standard Features

Extra Large Sink: 16" x 12" x 10" (40.6 cm x 30.5 cm x 25.4 cm) sink is integrally constructed with broad radius corners for easy cleaning.

Electrical: Includes one GFCI protected duplex receptacle with water tight cover.

Work Surface: Comprised of a recessed, sloping work area designed to facilitate drainage toward integrally constructed sink. Double flanged, 14 gauge stainless steel construction for heavy duty usage.

Water Fixture: Deck mounted hot and cold water fixture with single lever mixing valve and vacuum breaker for water protection.

ISO: Quality Management System in compliance with ISO 9001:2008 and applies: Design, Engineering, Manufacturing and Installation of Equipment Distribution of Supplies for Morgue, Pathology, Histology and Necropsy Applications.

APPROVAL: TUV Listed & Certified: Tests to UL61010-1 :2004 standards in addition to CAN/CSA and NFPA standards. This listing covers the entire products as an entity and not just individual components.

Unit can be customized to fit your lab requirements with other additional options. Contact Mopec with your specific needs.

HI100 Dissection Table - Right Hand Sink

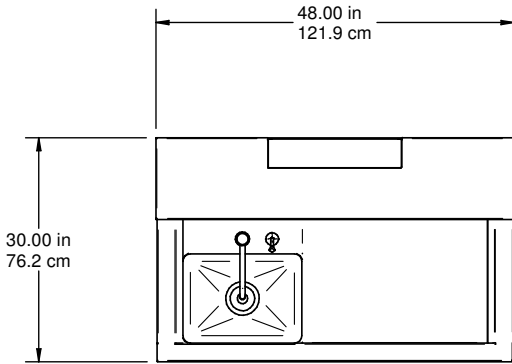
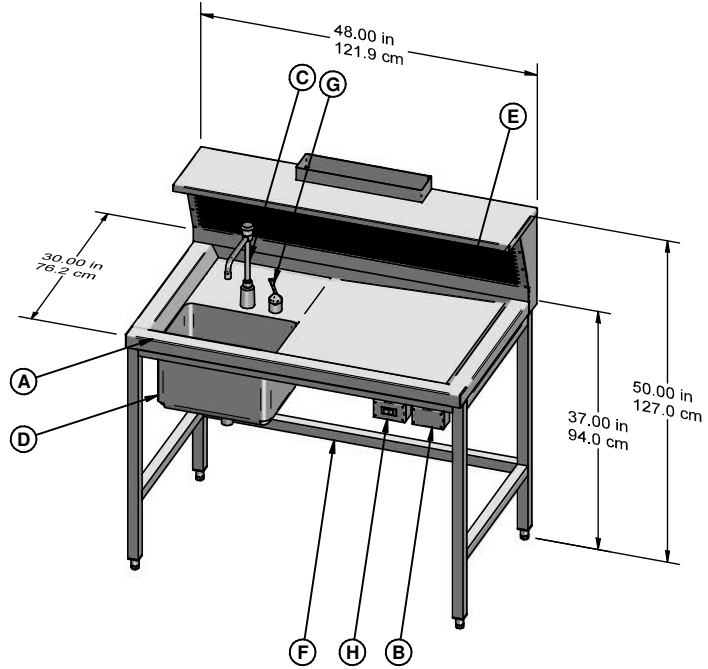
HI150 Dissection Table - Left Hand Sink

STANDARD FEATURES

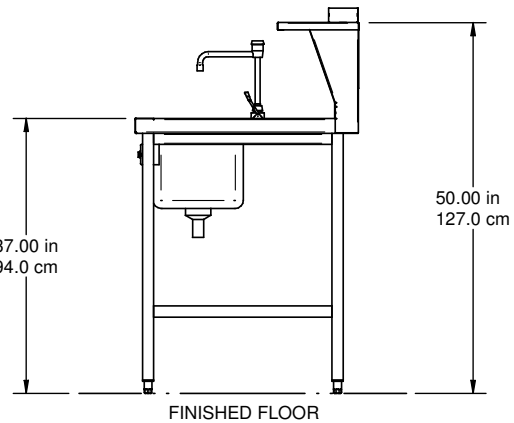
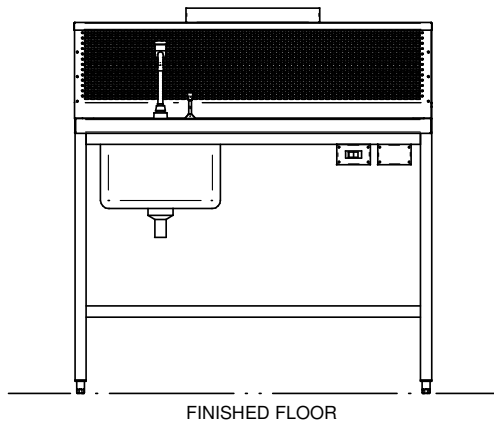
- A Work Surface
- B GFCI Electrical Outlet
- C Fixture w/Swing Spout
- D Sink – 16" x 12" x 10"
- E Work Surface Vent
- F Leg Frame
- G Mixing Valve
- H Main Circuit Breaker Switch

OPTIONAL FEATURES

- HO007 Hand Spray Rinse
- HO011 Fluorescent Light
- HO015 Formalin Collection System
- BL800 1 HP Disposal



UL 61010:2004
CAN/CSA-C22.2
NFPA 79-2002



HK Series Crossing Station

1

2

3

4

5

6

7

8

9

10

11



HK100 Elevating Wing Totaldraft Station - (HK100 includes HK200 and HK300)

The HK100 consists of an HK200 (elevating wing) and a HK300 (dissection countertop).

The HK110 consists of a HK400 (non-elevating wing) and a HK300 (dissection countertop).

The Totaldraft Dissection Station T-Wing utilizes both a backdraft system and totaldraft system. These backdraft and totaldraft ventilation systems have been proven effective in Mopec's wide variety of grossing stations.

The backdraft system is accomplished using a 60° angled grill behind the entire work surface of the countertop. The grill is perforated with 3/16" x 5/8" slots on 13/16" x 3/8" staggered centers, yielding a 30% open area. The grill is designed to be rinsed while in use without any fluid entering the ventilation system of the facility. Integrally constructed counter tops, sinks and base cabinets allow for a safe adjacent work surface which is easily cleaned.

The totaldraft system is designed to provide downward airflow consistent throughout the work surface. Grid plates elevate the work area over a deep downdraft cone that is designed to accept fluids while consistently ventilating the work area.

Three grid plates are included and are completely interchangeable. Each grid plate is perforated with 1/2" diameter holes on 1" staggered centers, yielding a 20% open area. The grid plates are fabricated with a 45° marine edge that helps contain fluids from dripping over the edge. The Dissection Table incorporates an elevating mechanism allowing for an ergonomically correct height adjustment. The totaldraft system is designed to provide

plates elevate the work area over a deep downdraft cone that is designed to accept fluids while consistently ventilating the work area.

Three grid plates are included and are completely interchangeable. Each grid plate is perforated with 1/2" diameter holes on 1" staggered centers, yielding a 20% open area. The grid plates are fabricated with a 45° marine edge that helps contain fluids from dripping over the edge. The Dissection Table incorporates an elevating mechanism allowing for an ergonomically correct height adjustment.

All welds are accomplished with a stainless steel filler media. All exposed welds are ground smooth and grained to match the adjacent #4 satin mill finish.

The construction is superior, utilizing TIG welding on all seams and mating sections which are ground smooth and regrained to match the #4 satin factory finish. All internal plumbing and electrical lines are factory installed and tested. Utilities hookup is minimal and can be accomplished in minutes.

ISO: Quality Management System in compliance with ISO 9001:2008 and applies: Design, Engineering, Manufacturing and Installation of Equipment Distribution of Supplies for Morgue, Pathology, Histology and Necropsy Applications.

APPROVAL: TUV Listed & Certified: Tests to UL61010-1 :2004 standards in addition to CAN/CSA and NFPA standards. This listing covers the entire products as an entity and not just individual components.

HK Series Crossing Station

HK200 Totaldraft Dissection Table Elevating Wing

Totaldraft Dissection Table: All stainless steel construction, the ventilation system is Mopec's exclusive totaldraft ventilation system. The inner ventilation chamber also acts as the drain sink. The work surface has self supporting perforated grid plates and is made of 16 gauge stainless steel perforated with 1/2" diameter holes. The grid is designed for easy cleaning with single flanges eliminating any unseen areas that will accumulate bacteria. Hand slots are included for easy handling. Material finish is #4 satin finish.

Elevating Mechanism: The dissection wing is elevated using an electro hydraulic lifting mechanism with a watertight switch. Each corner is elevated with independent hydraulic lifting cylinders and is synchronized so that misalignment never exists.

HK300 Backdraft Dissection Countertop

Support Pedestal: Fabricated of 18 gauge stainless steel, the support pedestal is complete with access doors on each side. Each corner is fitted with a 14 gauge gusset along with an adjustable bolt for leveling during installation.

Hot/Cold Water Fixture: The countertop is included with two large sinks that include a hot/cold water fixture. Hot/cold mixing fixture uses a single lever valve.

Base Countertops: Each countertop is fabricated for heavy-duty use. All face joints are flush without overlaps. Corners are reinforced with angles or welded as required. All exposed face rails and stiles are 1-1/4" wide. A 3/4" deep by 1/2" rabbit is included for all doors and drawers. Countertops are fabricated with a 4" high by 3" deep toe space. Each corner is fitted with a 14 gauge gusset with an adjustable bolt for leveling during installation.

Construction: Stainless steel counters are fabricated integral with the ventilation duct design. The top is fabricated with 1-1/4" thick marine edge formed around the full perimeter. The underside of the counter is reinforced with steel channels and covered with sound deadening material as required by design. Sinks are integrally constructed with full 1" radius corners for easy cleaning. The backdraft system uses a 60° angled grill behind the entire work surface.

Grill: The grill is perforated with slots on 13/16" x 3/8" staggered centers, yielding a 30% open area. Designed to be rinsed while in use without any fluid entering the ventilation system of the facility.

Sink Rinse Fixture: Two sink rinsing fixtures are provided adjacent to the hot and cold water faucet and includes cold water control.

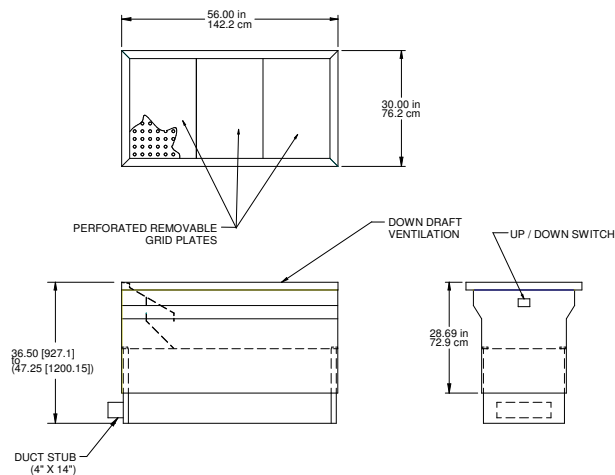
Electrical Receptacle: Two watertight 115 volt GFCI duplex receptacles for safe use of all electrical devices.

HK400 Totaldraft Dissection Table Non-Elevating Wing

Totaldraft Dissection Table: All stainless steel construction, the ventilation system features Mopec's totaldraft ventilation system. The inner ventilation chamber also acts as the drain sink. The work surface has self supporting perforated grid plates and is made of 16 gauge stainless steel perforated with 1/2" diameter holes on 1" centers. The grid is designed for easy cleaning with single flanges eliminating any unseen areas that will accumulate bacteria. Hand slots are included for easy handling. Material finish is #4 satin finish.



HK400 - SHOWN



- 1
- 2
- 3
- 4
- 5
- 6
- 7
- 8
- 9
- 10
- 11

HL Series Backdraft Stations

1

2

3

4

5

6

7

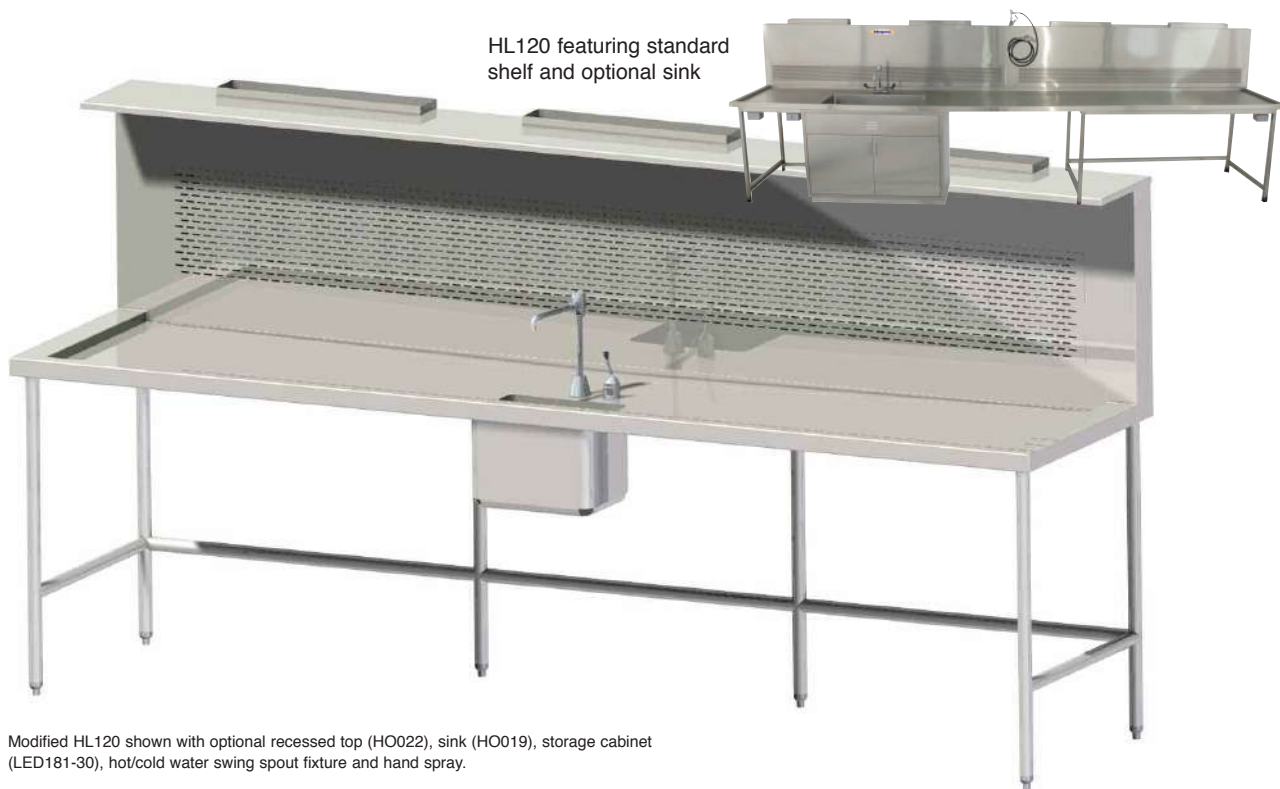
8

9

10

11

HL120 featuring standard shelf and optional sink



Modified HL120 shown with optional recessed top (HO022), sink (HO019), storage cabinet (LED181-30), hot/cold water swing spout fixture and hand spray.

Available in four highly customizable models, these backdraft vented workbenches help control odors, gases, and formalin fumes. By capturing and exhausting air back and away from a user's work zone, these economical tables ensure a safe laboratory working environment. The table top mounted backdraft plenum provides evenly distributed ventilation along the length of the work surface and doubles as the backsplash. Recessed work area is easily accented with optional equipment such as HO019 Integral Stainless Steel Sink and HO007 Hand Spray Rinse and other available options. Contact Mopec for customization.

APPROVAL: TUV Listed & Certified: Tests to UL61010-1 :2004 standards in addition to CAN/CSA and NFPA standards. This listing covers the entire products as an entity and not just individual components.

Unit can be customized to fit your lab requirements with other additional options. Contact Mopec with your specific needs.

HL Series Standard Features

Construction: Frame, work surface and filtering areas are manufactured using 304 stainless steel with a #4 satin finish. All welding is TIG type with only stainless steel as a filler material. All welds are ground and regrained to match surrounding finish.

Counter top: Constructed of 14 gauge stainless steel with a recessed work surface. Top surface is creased-down for rigidity and to facilitate draining

Backdraft Ventilation: Full length plenum includes removable stainless steel exhaust grill(s).

Electrical: Includes one GFCI protected duplex receptacle with water tight cover.

Utilities: All internal utilities, i.e., plumbing and electrical, are factory installed and tested.

ISO: Quality Management System in compliance with ISO 9001:2008 and applies: Design, Engineering, Manufacturing and Installation of Equipment Distribution of Supplies for Morgue, Pathology, Histology and Necropsy Applications.

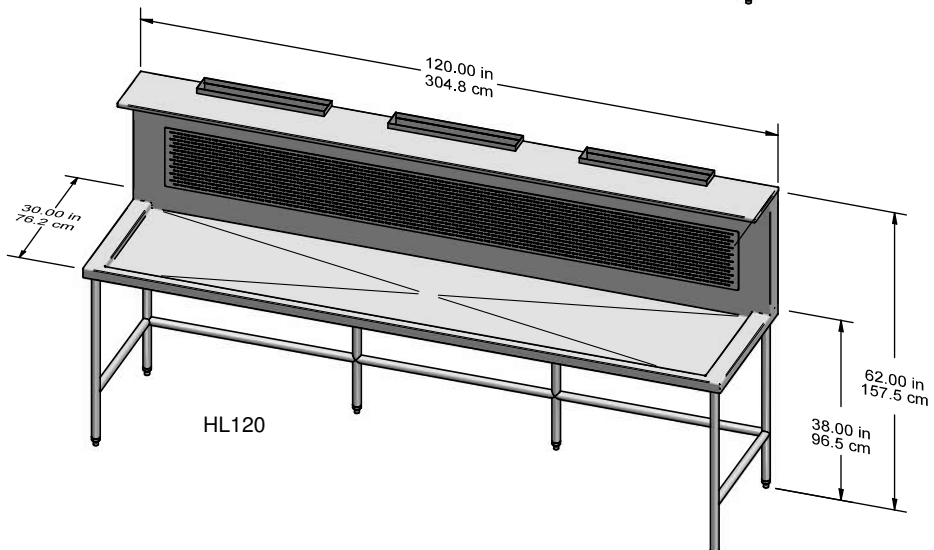
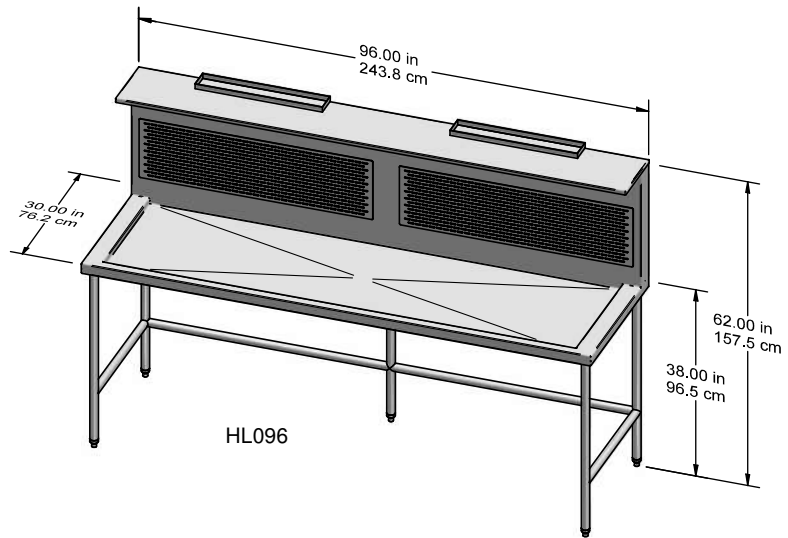
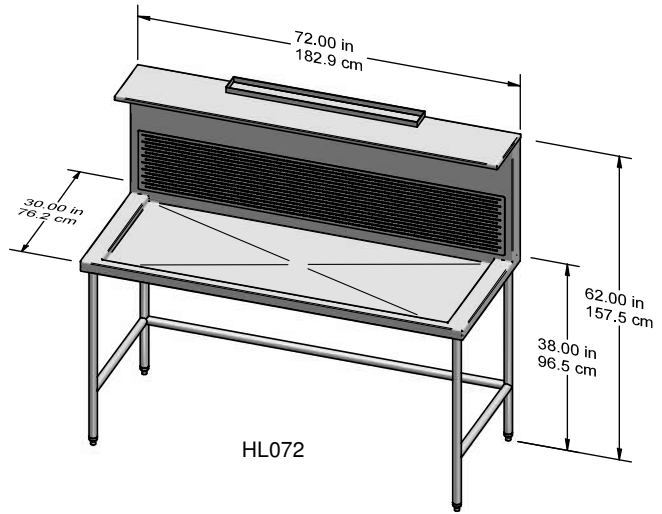
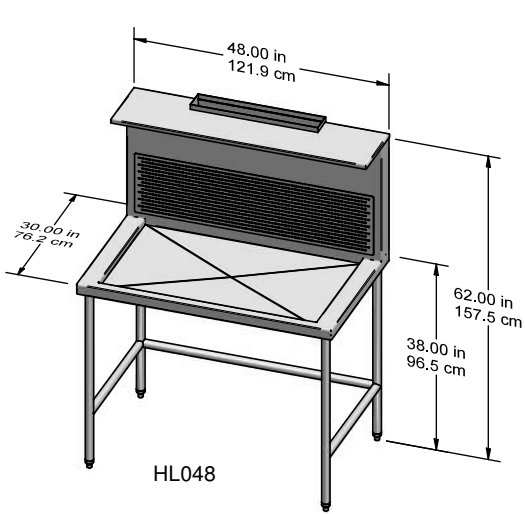


Optional flammable cabinet HO020

HL Series Workbench

Description	Product No.
Backdraft Workbench 48" (121.9 cm) long	HL048
Backdraft Workbench 72" (182.9 cm) long	HL072
Backdraft Workbench 96" (243.8 cm) long	HL096
Backdraft Workbench 120" (304.8 cm) long	HL120

HL Series Backdraft Stations



UL 61010:2004
CAN/CSA-C22.2
NFPA 79-2002

1

2

3

4

5

6

7

8

9

10

11

FP100 Formalin Pump System

1

2

3

4

5

6

7

8

9

10

11

The FP100 Formalin Dispensing, Pump System is a pressurized, facilities-level formalin dispensing/distribution station designed to provide multiple workstations with buffered formalin. Our standard station transfers 10% formalin stock, from easily replaceable 30 to 55 gallon drums, straight to formalin faucets. The active distribution system enables a consistent delivery of product while also allowing for increased flexibility when choosing dispensing locations.

No longer will a laboratory be required to purchase individual formalin dispensing systems for each workstation. The FP100 system safely pumps buffered formalin solution to designated formalin spigots, simplifying the dispensing process for laboratory technicians. Utilizing an economical 30-55 gallon drum of buffered formalin as its supply, the FP100 also eliminates the messy task of constantly replacing local buffered formalin supplies. Realizing these benefits with the installation of a FP100 will save time and money for any laboratory.

FP100 Standard Features

- Two (2) pumps to draw fluid from either drum
- Both drums can be used as back-up
- Adjustable pressure controls
- System safety shutoff for gross leak (low pressure), system malfunction (high pressure), or drum leak
- Alarm output (12V and or NC/NO circuit)
- Electrical panel with indicator lights
- Pump one or pump two selector switch
- Includes containment platform with drain pan and leak sensor
- Formalin and drums provided by facility

Product No. FP100

FP100 Optional Feature

FP001 Remote Alarm System: Alarm system integrates your facilities control room with advanced formalin dispensing leak sensors, located along lengths of piping and at dispensing fixtures. This option is specifically designed to alert facility managers to comprised systems during non-office hours.



Containment platform with drain pan and leak sensor



Pick-up tube with low level indicator



FP100 - Shown with two 30 gallon drums, provided by facility

Gravity Fed Formalin Dispensing Systems

FP200 and FP250

No longer will the laboratory be required to purchase individual formalin dispensing systems for each workstation. The Dispensing Systems safely pipes buffered formalin solution (via gravity) to designated formalin spigots, simplifying the dispensing process for laboratory technicians. Eliminating the messy task of constantly replacing local buffered formalin supplies. Realizing these benefits the installation of either the FP200 or FP250 will save time and money for any laboratory.

FP200 – Formalin Mixing and Gravity Fed, Dispensing System

The FP200 is a formalin mixing and dispensing system designed to dilute (mix) unbuffered formalin with deionized facility provided water to create a buffered formalin mixture and dispense to multiple grossing stations via gravity.

The FP200 is comprised of: a 50 gallon (189 L) stainless steel holding tank, a stainless steel tube frame and a control box all located, over a spill containment base with ramp for easy loading of 37% unbuffered drums of formalin.

The unbuffered formalin and water is pumped into an upper formalin containment tank to mix, creating a 10% buffered formalin mixture.

Safety measures include over fill and leak detectors, elapsed-time system process fail safe and optional remote alarm system.

Product No. FP200



Control panel

FP250 – Gravity Fed, Formalin Dispensing System

The FP250 gravity fed, formalin dispensing system is designed to dispense buffered formalin (via gravity) from a formalin drum (provided by facility) to multiple grossing stations. Buffered formalin is pumped up to the holding/storage tank which is then dispensed via gravity.

Control box, storage tank and spill containment base are not limited to one room or location. The control box can be located in the laboratory and the containment base can be placed in a separate mechanical closet for convenience. The storage tank should be located at a higher elevation for increased performance.

Product No. FP250

FP200/FP250 Standard Features:

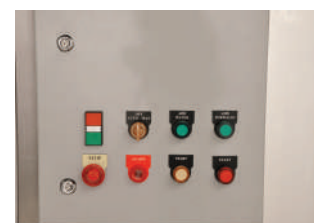
- Stainless steel framework
- Includes base containment pan with fluid detection sensor
- Enclosed control system
- Large upper shelf to hold fully sealed 50 gallon (189.2 L) stainless steel formalin containment tank
- Formalin dispensing outlet, 3/4" stainless steel pipe nipple with stainless steel valve, manifold can be designed as desired
- Dimensions: 30" W x 30" D x 90" H (76.2 cm x 76.2 cm x 228.6 cm)
- FP250 does not use concentrated formalin nor a water fill port

Optional Feature

FP001 Remote Alarm System: Alarm system integrates your facilities control room with advanced formalin dispensing leak sensors, located along lengths of piping and at dispensing fixtures. This option is specifically designed to alert facility managers to comprised systems during non-office hours.

NOTE: Unbuffered formalin (37%) is provided by facility

- Piping from manifold to grossing stations provided by facility (stainless steel piping to grossing stations is recommended)



Control panel

1

2

3

4

5

6

7

8

9

10

11

ErgoPath Chair

How's Your Back Feeling?

1

2

3

4

5



The EC200 combines unparalleled support with an elegant, modern design. The ergonomic design of the ErgoPath Chair provides supreme lumbar support while being remarkably comfortable. Unique hydraulic mechanism adjusts to an individual's personal seating requirement resulting in comfort throughout the working day. When set in "free motion", the back and seat of the chair will follow one's movement. The backrest and the stool itself can also be adjusted for height. Available shoulder support offers relief to the neck and back, providing full range of motion for both arms. The patented "relax" and "hydro" support arms swing laterally side-to-side and telescoping forward and back. The "hydro" adds a third dimension through its tension adjustable up and down motion. The EC200 is perfect for workstations, histology and pathology labs. Easy to clean ash vinyl. Provides years of use. Lifetime warranty on the mechanical components and a three year warranty on other components. Height range: Lowered: 16-1/4", elevated 31-1/2".

Product No. EC200

Replacement Parts

Relax Armrest

Product No. EC201

Hydro Armrest

Product No. EC202

6

7



Easy to adjust backrest



Adjust height of the backrest by lifting the lever on the backrest upward. Push down to lock.



Hydro-support arms

8

9

10

11



AUTOPSY SINKS, TABLES AND CARTS

Chapter 6



C Series Wall Mounted Autopsy Sinks	218-219
CA100	220
CB100	221
CC100	222-223
CC300	224-225
C Series Elevating Wall Mounted Autopsy Sinks	226-228
CA200	229
CB200	230
CC200	231
DA Series Autopsy Carts	232-233
DB Series Autopsy Carts – Elevating	234-235
DC Series Autopsy Carts	236-237
DC400 Bariatric Autopsy Carts	238-239
DC500 Bariatric Autopsy Carts	240-241
DD Series Autopsy Carts	242-243
DE Series Autopsy Carts	244-245
DF100 Autopsy Cart with Grid Plates	246-247
CF Series Embalming Workstations	248-249
CF100 Embalming Sinks	250-251
CF100 Embalming Cart	252-253
CE100 Autopsy Table Pedestal	254-255
CE200 Autopsy Table Pedestal – Elevating	256-257
CE210 Autopsy Table Pedestal – Elevating	258-259
CE300 Autopsy Table Pedestal – Rotating	260-261
CE310 Autopsy Table Pedestal – Rotating, Elevating	262-263
CE340 Autopsy Table	264-265
CE350 Downdraft Autopsy Table	266-267
CE400 Autopsy Table Pedestal – Short	268-269
CE500 Autopsy Table – Frame	270-271
CE600, 700 Autopsy Table	272-273
CE650/750 Elevating Autopsy Table	274-275
CE800 Autopsy Sink Service Island	276-277
CE850 Autopsy Sink Service Table	278-279

CE900 Autopsy Table Pedestal	280-281
FD200 Embalming Station	282-283
HE100 Tilting Dissection Table	284-285
HL100 Elevating C-Arm X-Ray Table	286-287
HL200 C-Arm X-Ray Table	288-289
Cart Tops	290-291
CH Series Scrub Sink	292

C Series Wall Mounted Autopsy Sinks

1

2

3

4

5

6

7

8

9

10

11



CA100 Autopsy Sink Right shown with DC100 Autopsy Cart



CB100 Autopsy Sink Left shown with DB100 Autopsy Cart

Quick and Easy Clean Up

Save time and space with our C-Series Wall Mounted Autopsy Dissection Sinks. The body is transported on a moveable cart that adjoins a right sink approach (CA100 model), left sink approach (CB100 model) or center sink approach (CC100 model) for easy access. No additional lifting of the body is required. The cart trays overhang the sink to allow for proper fluid drainage. Optional leg frame (CO006) is also available.

PLEASE NOTE: Quantity of standard features may vary based upon model that is ordered. Example - instrument rinse tray on CA100 and CB100 is one while on the CC100 model there is none due to space constraints. Please check with a Mopec Representative for more information when ordering.

C Series Standard Features

Instrument Rinse Tray: A built in instrument rinse tray is included on the right (CA100) and left (CB100) approach models only and is ideal for rinsing and draining organs and instruments. (CC100 models none due to space constraints.)

Large Instrument Drawers: Flush to the table when closed and fitted with flush inset handles at the top to keep fluid from accumulating in the drawers. (CA and CB models include one drawer, CC model includes two drawers).

Hydro-Aspirator: The cold water only hydro-aspirator is designed to aspirate fluids from the body. Complete with on/off control valve, reverse flow feature, ample supply flexible tubing and hose hanger.

Hand Spray Assembly: Heavy duty chrome plated brass hand piece with easy push trigger. This includes 96" of high pressure hose. CA and CB models have one sprayer. CC includes two sprayers.

Vacuum Breakers: Built into the plumbing fixtures instead of mounted on the top shelf, leaving more usable work space and allowing for quick and easy cleaning.

Integral Sink: Integral sink construction eliminating any overlapping edges for a sanitary application.

Water Fixtures: Hot and cold water fixtures have wrist blade handles and goose neck spouts. Vacuum breaker protected.

Removable Grid Plates: Constructed to fit easily into the sink ledge without mounting pins. Grid plates are interchangeable, with 3/8" diameter perforations on 2" centers.

Body Rinse Fixture: Consists of cold water valve, serrated hose fitting, clear tubing and hose hanger. Vacuum breaker protected.

Electrical: GFCI duplex electrical receptacle with water resistant cover. CA and CB models have one receptacle, CC model includes two receptacles.



All Mopec Autopsy Sinks are delivered

C Series Wall Mounted Autopsy Sinks



CC100 Autopsy Sink Center approach shown with DA100 Autopsy Cart

ISO: Quality Management System in compliance with ISO 9001:2008 and applies: Design, Engineering, Manufacturing and Installation of Equipment Distribution of Supplies for Morgue, Pathology, Histology and Necropsy Applications.

APPROVAL: TUV Listed & Certified: Tests to UL61010-1 :2004 standards in addition to CAN/CSA and NFPA standards. This listing covers the entire product as an entity and not just individual components.

The C Series Wall Mounted Autopsy Sinks can be built to your requirements with the optional features listed below. If you require a specific feature, please contact Mopec Customer Service for assistance.

C Series Optional Features

CO001 Autopsy Sink Leg Frame: For CA100 and CB100.

CO002 Autopsy Sink Leg Frame: For CC100.

CO003 Sink Perimeter Rinse Assembly: Provides a full perimeter rinse on all four sides of the sink where the autopsy cart drains. Includes cold-water on/off water control valve, serrated hose fitting and perforated formed stainless steel rinse tube. Easily removable for cleaning.

CO004 Gas Valve Splash Mount: Laboratory gas fitting with 1/4 turn on/off valve and serrated hose fitting.

CO005 Air Valve Splash Mount: Laboratory air fitting with 1/4 turn on/off valve and serrated hose fitting.

CO006 Safety Eye Wash Splash Mount: Splash mounted safety eyewash with gentle eye spray head, self coiling retractable hose and handpiece hanger.

CO007 Exhaust Duct: Ventilation exhaust ducting located over the dissection area of the CA100, CB100 and CC100 autopsy tables. The 8" x 14" ventilation grill is routed through the back splash of the sink and is designed to remove pungent odors.



Optional organ rinse basket shown with C Series Autopsy Sink

CO008 Fluorescent Light Assembly: Dual four foot long high output fluorescent light fixtures encased in a watertight plastic case. Provided with watertight on/off switch.

CO012 Replaceable Ruler, Inch/Centimeter: Long wearing ruler adheres to edge of the table. Can be peeled off and replaced when needed.

CO016 Scale Stand Wall Mounted: Wall-mounted scale support socket located on the shelf of the autopsy sink. The stand includes a support tube allowing the scale to swing over and drain into the main sink. Scale not included.

CO020 Organ Rinse Basket: Designed to hang on the hot and cold water fixture, the organ instrument rinse tray is made of stainless steel with a perforated bottom.

CO022 Evidence Screen: Prevent accidentally washing evidence down the drain. Made of stainless steel with a pull handle, this screen can be used on any of the C Series units.

BL800 Waste Disposal: Heavy-duty 1 HP disposal, complete with on/off switch, water solenoid, and vacuum breaker.

Product Description

Product No. CA100 — Right Approach Sink

Product No. CB100 — Left Approach Sink

Product No. CC100 — Center Approach Sink

Product No. CC300 — Dual Approach



CA100 Autopsy Sink shown with DA100 Autopsy Cart

1

2

3

4

5

6

7

8

9

10

11

CA100 Wall Mounted Autopsy Sink

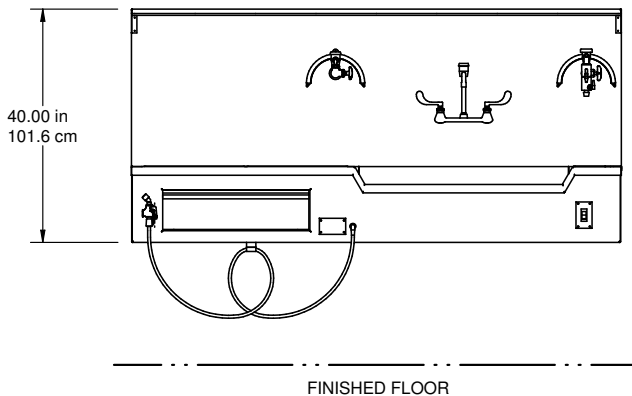
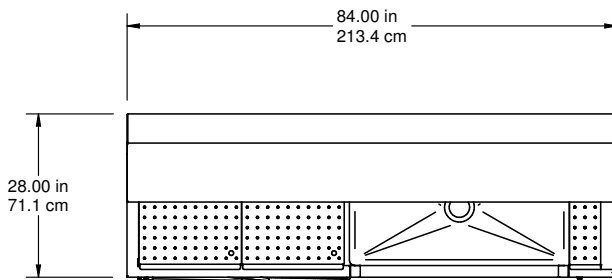
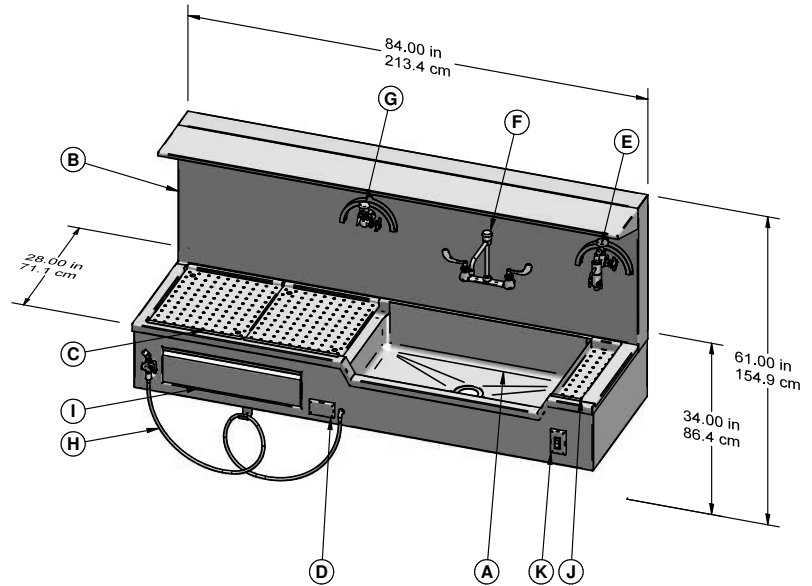
Right Hand Sink

STANDARD FEATURES

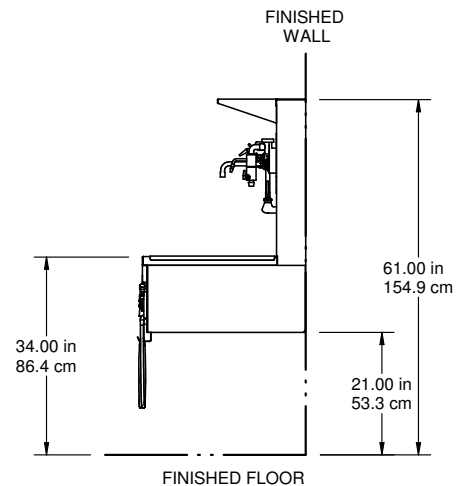
- A Integral Sink (38" x 20" x 6")
- B Backsplash
- C Removable Grid Plates (2)
- D GFCI Electrical Outlet
- E Hydro Aspirator
- F Fixture w/Swing Spout
- G Body Rinse
- H Hand Spray
- I Large Instrument Drawer
- J Instrument Rinse Tray
- K Main Circuit Breaker Switch

OPTIONAL FEATURES

- CO001 Autopsy Sink Leg Frame
- CO003 Sink Perimeter Rinse
- CO004 Gas Valve
- CO005 Air Valve
- CO006 Safety Eye Wash - Splash Mount
- CO007 Exhaust Duct and Vent Grill
- CO008 Fluorescent Light Assembly
- CO016 Scale Stand Wall Mounted
- CO020 Organ Rinse Basket
- CO022 Evidence Screen
- BL800 BL800 1 HP Disposal



UL 61010:2004
CAN/CSA-C22.2
NFPA 79-2002



The CA100 wall mounted right hand approach autopsy sink provides all of the features normally found in a typical pedestal type autopsy table without the space requirements. The wall mounted style eliminates the physical strain of moving the body since the autopsy is performed directly on the autopsy cart. Wall mounted design allows for easy floor cleaning.

Autopsy cart overhangs the station allowing fluids to drain directly into the sink. Adjacent to the sink is the ample dissection area with removable grid plates. Dissection area grid plates are elevated above a sloped surface and drain directly into the sink.

CB100 Wall Mounted Autopsy Sink

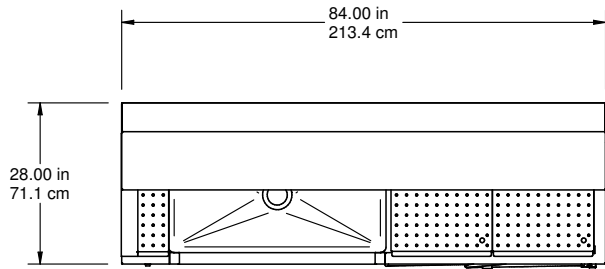
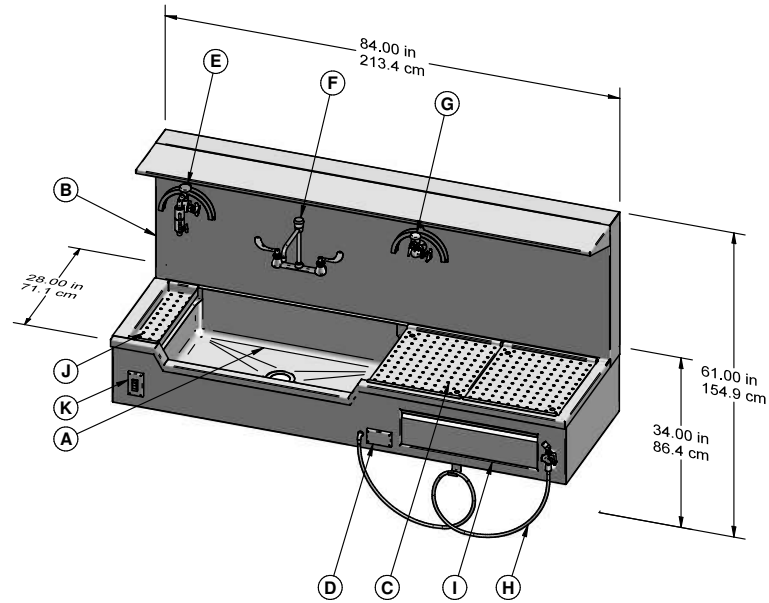
Left Hand Sink

STANDARD FEATURES

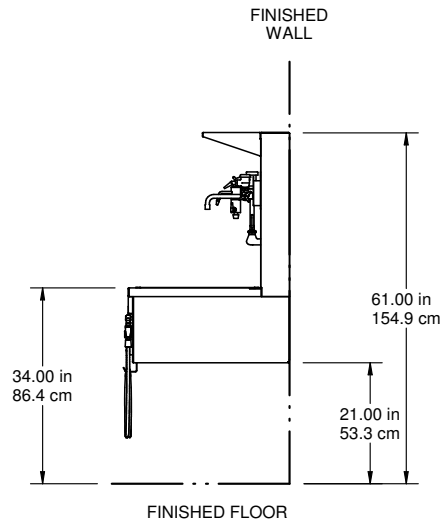
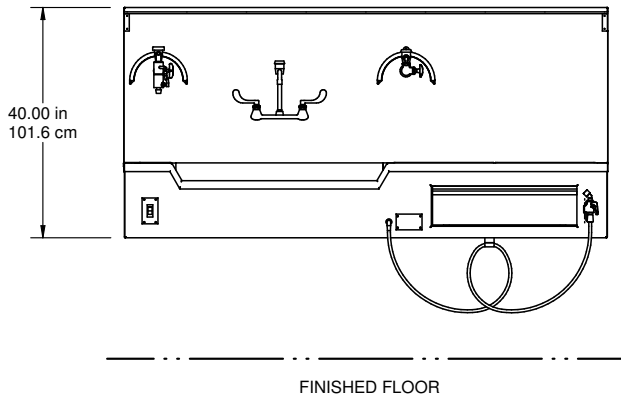
- A Integral Sink (38" x 20" x 6")
- B Backsplash
- C Removable Grid Plates (2)
- D GFCI Electrical Outlet
- E Hydro Aspirator
- F Fixture w/Swing Spout
- G Body Rinse
- H Hand Spray
- I Large Instrument Drawer
- J Instrument Rinse Tray
- K Main Circuit Breaker Switch

OPTIONAL FEATURES

- CO001 Autopsy Sink Leg Frame
- CO003 Sink Perimeter Rinse
- CO004 Gas Valve
- CO005 Air Valve
- CO006 Safety Eye Wash - Splash Mount
- CO007 Exhaust Duct and Vent Grill
- CO008 Fluorescent Light Assembly
- CO016 Scale Stand Wall Mounted
- CO020 Organ Rinse Basket
- CO022 Evidence Screen
- BL800 BL800 1 HP Disposal



UL 61010:2004
CAN/CSA-C22.2
NFPA 79-2002



The CB100 wall mounted left hand approach autopsy sink or wall mounted elevating autopsy sink provides all of the features normally found in a typical pedestal type autopsy table without the space requirements. The wall mounted style eliminates the physical strain of moving the body since the autopsy is performed directly on the autopsy cart.

Opposite the sink is an ample autopsy dissection area, with removable grid plate. The dissection area grid plate is mounted above a sloped surface, which drain directly into the sink. Wall mounted design allows for easy floor cleaning.



CC100 Wall Mounted Autopsy Sink

Center Sink

1

2

3

4

5

6

7

8

9

10

11



Mopec Can Customize Your Equipment -

Let the Mopec Solution Work for You!

CC100 Wall Mounted Autopsy Sink

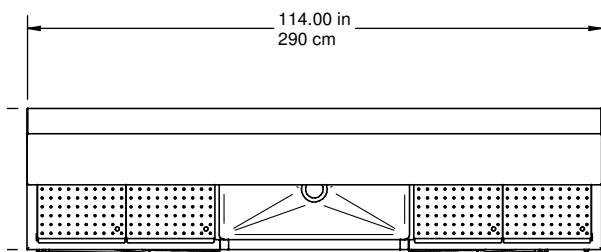
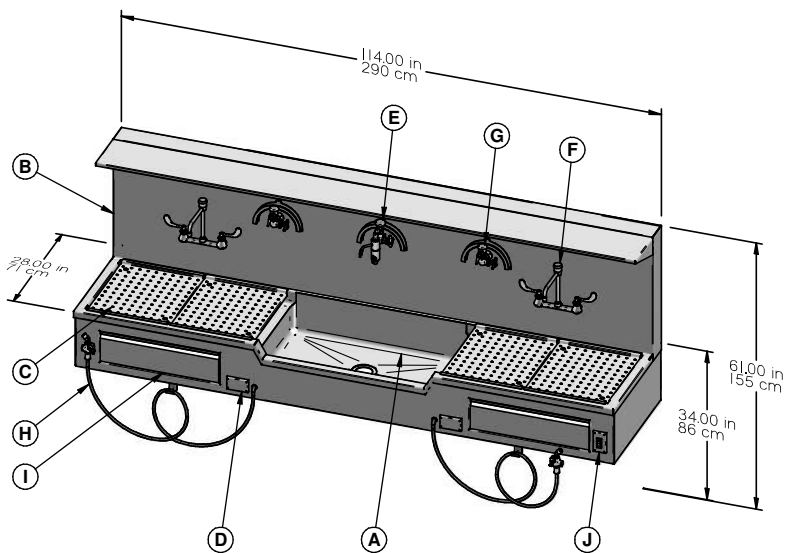
Center Sink

STANDARD FEATURES

- A Integral Sink (38" x 20" x 6")
- B Backsplash
- C Removable Grid Plates (4)
- D GFCI Electrical Outlet (2)
- E Hydro Aspirator
- F Fixture w/Swing Spout (2)
- G Body Rinse (2)
- H Hand Spray (2)
- I Large Instrument Drawer (2)
- J Main Circuit Breaker Switch

OPTIONAL FEATURES

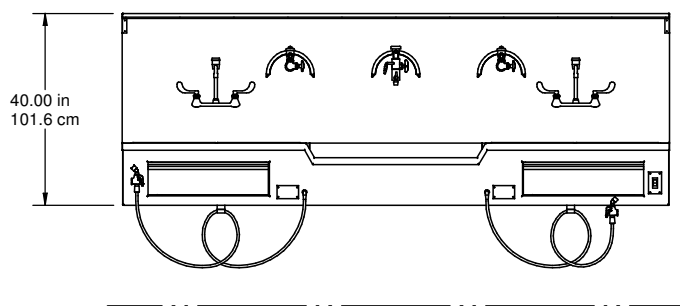
- CO002 Autopsy Sink Leg Frame (CC100 Only)
- CO003 Sink Perimeter Rinse
- CO004 Gas Valve
- CO005 Air Valve
- CO006 Safety Eye Wash - Splash Mount
- CO007 Exhaust Duct and Vent Grill
- CO008 Fluorescent Light Assembly
- CO016 Scale Stand Wall Mounted
- CO020 Organ Rinse Basket
- CO022 Evidence Screen
- BL800 1 HP Disposal



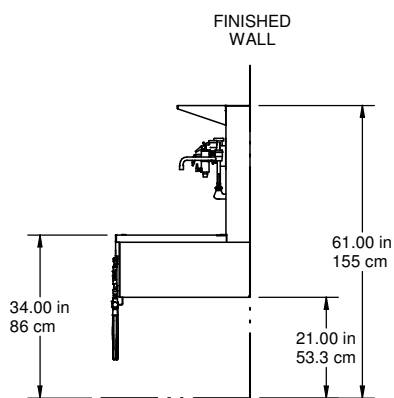
UL 61010:2004

CAN/CSA-C22.2

NFPA 79-2002



FINISHED FLOOR



FINISHED FLOOR

The CC100 wall mounted center approach autopsy sink provides all of the features normally found in a typical pedestal type autopsy table without the space requirements. The autopsy cart overhangs the autopsy station allowing fluids to drain directly into the sink. On each side of the sink are dissection areas of equal size with removable and interchangeable grid plates.

The dissection area includes grid plates which are elevated above a sloped surface that drain directly into the sink. Wall mounted design allows for easy floor cleaning.



CC300 Dual Approach Wall Mounted Autopsy Sink

1

2

3

4

5

6

7

8

9

10

11



The CC300 Was Designed by a Medical Examiner for Everyday Use and Tough Forensic Cases



The CC300 dual approach wall mounted center approach autopsy sink provides all of the features normally found in a typical pedestal type autopsy table without the space requirements. The autopsy carts overhang the autopsy station allowing fluids to drain directly into the sink. On each side of the sink are dissection areas of equal size with removable and interchangeable grid plates. The dissection area includes grid plates which are elevated above a sloped surface that drain directly into the sink. Wall mounted design allows for easy floor cleaning.

CC300 Features

- Accommodating the worst case scenario in a functional and economical solution
- Space to perform two autopsies
- Space for forensic cases and laying out of specimens for investigations
- Simplifying installation - the CC300 arrives completely prewired

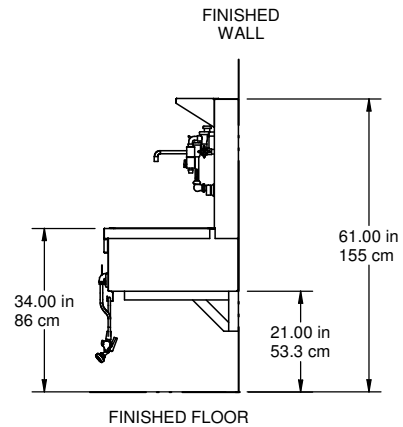
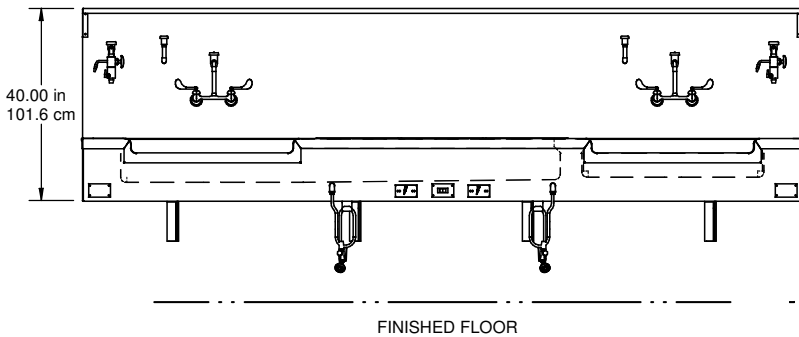
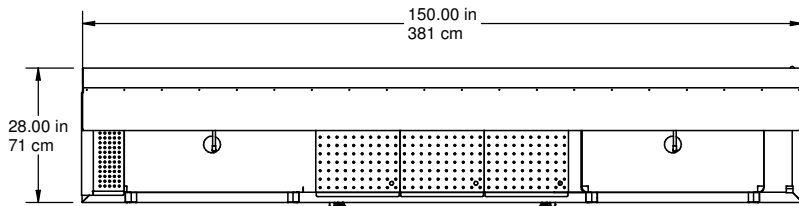
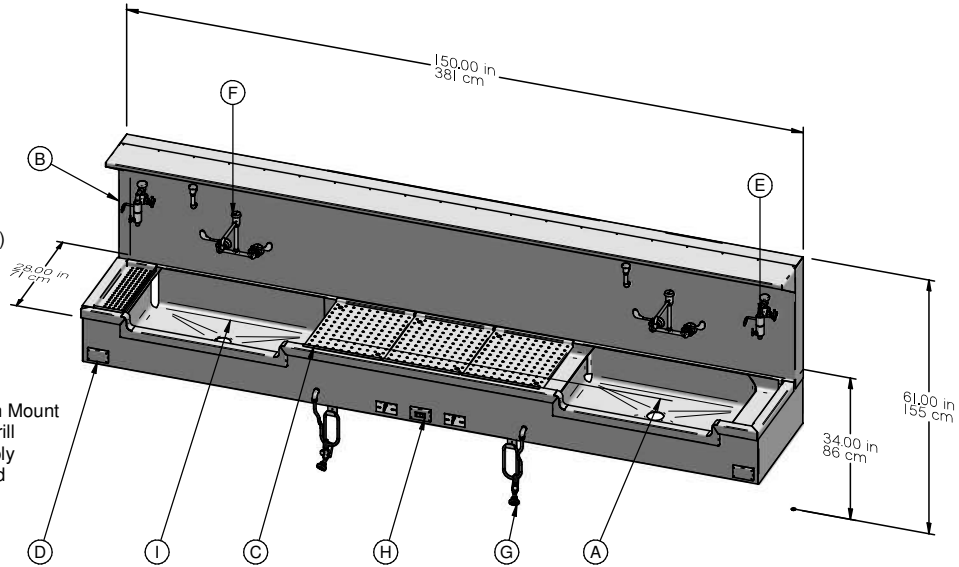
CC300 Dual Approach Wall Mounted Autopsy Sink

STANDARD FEATURES

- A Integral Sink (38" x 20" x 6")
- B Backsplash
- C Removable Grid Plates (3)
- D GFCI Electrical Outlet (2)
- E Hydro Aspirator (2)
- F Fixture w/Swing Spout (2)
- G Hand Spray (2)
- H Main Circuit Breaker Switch
- I Integral Sink (91.50" X 20" X 6")

OPTIONAL FEATURES

- CO002 Autopsy Sink Leg Frame
- CO003 Sink Perimeter Rinse
- CO004 Gas Valve
- CO005 Air Valve
- CO006 Safety Eye Wash - Splash Mount
- CO007 Exhaust Duct and Vent Grill
- CO008 Fluorescent Light Assembly
- CO016 Scale Stand Wall Mounted
- CO020 Organ Rinse Basket
- CO022 Evidence Screen
- BL800 1 HP Disposal



UL 61010:2004
CAN/CSA-C22.2
NFPA 79-2002



C Series Elevating Wall Mounted Autopsy Sinks

Patent Pending

1

2

3

4

5

6

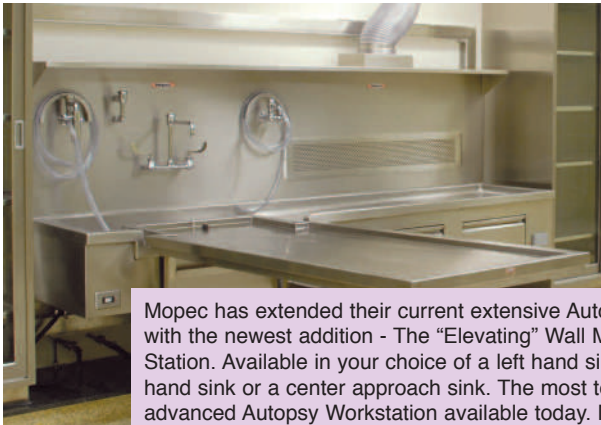
7

8

9

10

11



Mopec has extended their current extensive Autopsy Table line with the newest addition - The "Elevating" Wall Mounted Station. Available in your choice of a left hand sink, a right hand sink or a center approach sink. The most technologically advanced Autopsy Workstation available today. Mopec has designed within this station the latest advanced safety measures of Wall Mounted Autopsy Stations along with the ergonomic comfort an Autopsy Laboratory deserves.



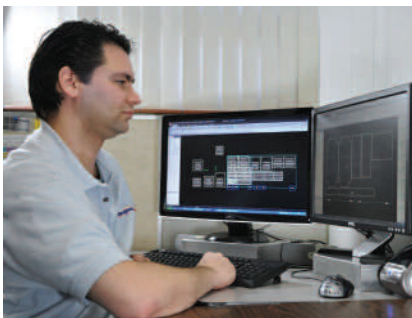
**Various Sized Personnel?
Not a Problem!**

PROBLEM

Various heights of Pathologist Staff including Autopsy Technicians, Forensic Investigators and Pathologists range in height from 5'4" to 6'6" (162.5 cm to 198.1 cm). On a restrictive budget, your facility cannot afford to purchase each technician based on their height. Your lab must meet the ergonomic challenges for a safe and effective workplace. What do you do?

THE MOPEC SOLUTION

Let Mopec Design your laboratory with an Elevating Wall Mounted Autopsy Station. The Wall Mounted Autopsy Station elevates to accommodate the shortest to the tallest Autopsy Technician, forensic Investigator or Pathologist. Used in conjunction with the DC Series Autopsy Carts, this station will also help address the special considerations deemed necessary during those Special Autopsy Cases where the body needs to be lowered and/or raised. Why purchase specialized equipment for the various heights of personnel when one table can solve the problem.



C Series Elevating Wall Mounted Autopsy Sinks

Patent Pending



Modified CB200 left approach sink shown with optional exhaust and DA100 autopsy cart

A Mopec Exclusive!

The C-Series Wall Mounted Elevating Autopsy sink was designed to provide an adjustable working area ergonomically correct for users of various heights. A 5' 4" technician is just as comfortable using this autopsy sink as a 6' 4" technician. The sink can be surface mounted or recessed within the thickness of the wall. Adjustability of the C Series allows all technicians whether sitting or standing, to make adjustments to bring the work to their exact desired position and comfort, regardless of height with the flip of a switch. The users have the ability to raise and lower the unit approximately 8". Patent pending.



NOTE: Quantity of standard features may vary based upon model that is ordered. Example, CA200, CB200 units include one each instruments rinse tray, while CC200 model has no instrument rinse tray due to space constraints. Please contact a Mopec representative for more information when ordering.

Product Description

Product No. CA200 — Elevating Right Approach Sink

Product No. CB200 — Elevating Left Approach Sink

Product No. CC200 — Elevating Center Approach Sink

C Series Standard Features

Instrument Rinse Tray: A built in instrument rinse tray is included on the right (CA200) and left (CB200) approach models only and is ideal for rinsing and draining organs and instruments. (CC200 models none due to space constraints.)

Large Instrument Drawers: Flush to the table when closed and fitted with flush inset handles at the top to keep fluid from accumulating in the drawers. (CA and CB models include with one drawer standard, CC model includes two drawers standard).

Hydro-Aspirator: The cold water only hydro-aspirator is designed to aspirate fluids from the body. Complete with on/off control valve, reverse flow feature, ample supply flexible tubing and hose hanger.

1

2

3

4

5

6

7

8

9

10

11

C Series Elevating Wall Mounted Autopsy Sinks

Patent Pending

C Series Standard Features

1

Hand Spray Assembly: Heavy duty chrome plated brass hand piece with easy push trigger. Includes 96" of high pressure hose. CA and CB models have one sprayer. CC model has two sprayers.

2

Vacuum Breakers: Built into the plumbing fixtures instead of mounted on the top shelf, leaving more usable work space and allowing for quick and easy cleaning.

3

Integral Sink: Integral sink construction eliminating any overlapping edges for a sanitary application.

Water Fixtures: Hot and cold water fixtures have wrist blade handles and goose neck spouts. Vacuum breaker protected.

4

Removable Grid Plates: Constructed to fit easily into the sink ledge without mounting pins. Grid plates are interchangeable.

Body Rinse Fixture: Consists of cold water valve, serrated hose fitting, clear tubing and hose hanger. Vacuum breaker protected.

5

Electrical: GFCI duplex electrical receptacle, water resistant cover. CA and CB models include one receptacle, CC model has two receptacles.

6

ISO: Quality Management System in compliance with ISO 9001:2008 and applies: Design, Engineering, Manufacturing and Installation of Equipment Distribution of Supplies for Morgue, Pathology, Histology and Necropsy Applications.

APPROVAL: TUV Listed & Certified: Tests to UL61010-1 :2004 standards in addition to CAN/CSA and NFPA standards. This listing covers the entire product as an entity and not just individual components.

The C Series Elevating Wall Mounted Autopsy Sinks can be built with optional features listed below. Contact Mopec for custom designs to meet your facility's requirements.

7

8

9

10

11



Modified CB200 shown with custom stainless steel work surface and wall cabinets



Optional Wall mounted Scale Stand

C Series Optional Features

CO003 Sink Perimeter Rinse Assembly: Provides a full perimeter rinse on all four sides of the sink where the autopsy cart drains. Includes cold-water on/off water control valve, serrated hose fitting and perforated formed stainless steel tubing. Easily removable.

CO004 Gas Valve Splash Mount: Laboratory gas fitting with 1/4 turn on/off valve and serrated hose fitting. Splash mounted.

CO005 Air Valve Splash Mount: Laboratory air fitting with 1/4 turn on/off valve and serrated hose fitting. Splash mounted.

CO006 Safety Eye Wash Splash Mount: Splash mounted safety eyewash with gentle eye spray head, self coiling retractable hose and handpiece hanger.

CO007 Exhaust Duct: Ventilation exhaust ducting located over the dissection area of the table. The 8" x 14" (20.3 cm x 35.5 cm) ventilation grill (which is included when ordering CO007) is routed through the back splash of the sink and is designed to remove pungent odors. Two required for CC200.

CO008 Fluorescent Light Assembly: Dual four foot long high output fluorescent light fixtures encased in a watertight plastic case. Provided with watertight on/off switch.

CO012 Replaceable Ruler Inch/Centimeter: Long wearing ruler adheres to edge of the table. Can be peeled off and replaced.

CO016 Scale Stand Wall Mounted: Wall-mounted scale support socket is located on the shelf of the autopsy sink. The stand includes a support tube allowing the scale to swing over and drain into the main sink. Scale not included.

CO020 Organ Rinse Basket: Designed to hang on the hot and cold water fixture, the organ instrument rinse tray is made of stainless steel with a perforated bottom.

CO022 Evidence Screen: Prevents accidentally washing evidence down the drain. Made of stainless steel with a pull handle.

BL800 Waste Disposal: Heavy-duty 1 HP disposal, complete with on/off switch, water solenoid, and vacuum breaker.



Wall mounted elevating sink allows for easy floor cleaning

CA200 Wall Mounted Elevating Autopsy Sink

Right Hand Sink

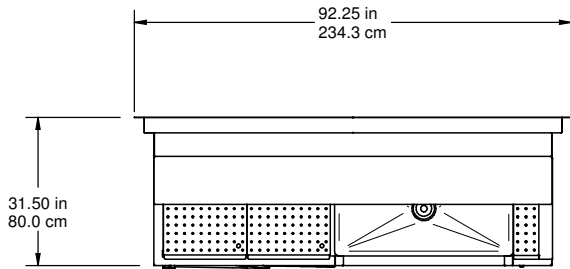
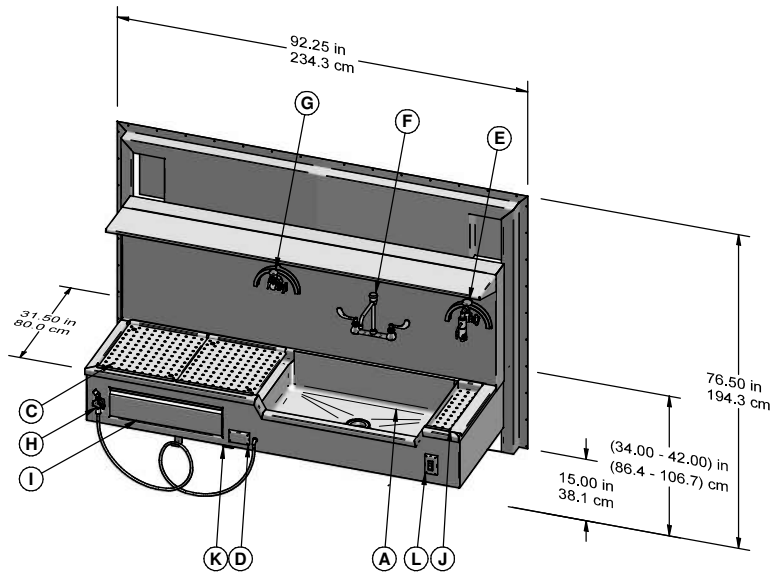
Patent Pending

STANDARD FEATURES

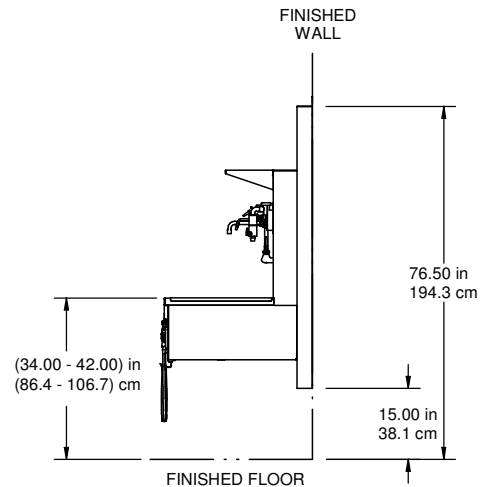
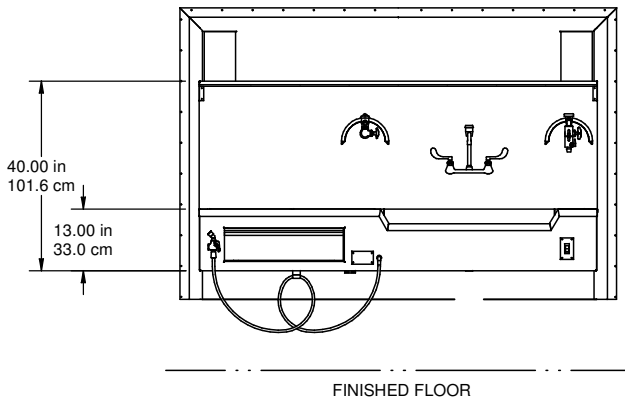
- A Integral Sink (38" x 20" x 6")
- B Backsplash
- C Removable Grid Plates (2)
- D GFCI Electrical Outlet
- E Hydro Aspirator
- F Fixture w/Swing Spout
- G Body Rinse
- H Hand Spray
- I Large Instrument Drawer
- J Instrument Rinse Tray
- K Elevation Switch
- L Main Circuit Breaker Switch

OPTIONAL FEATURES

- CO003 Sink Perimeter Rinse
- CO004 Gas Valve
- CO005 Air Valve
- CO006 Safety Eye Wash - Splash Mount
- CO007 Exhaust Duct and Vent Grill
- CO008 Fluorescent Light Assembly
- CO016 Scale Stand Wall Mounted
- CO020 Organ Rinse Basket
- CO022 Evidence Screen
- BL800 1 HP Disposal



UL 61010:2004
CAN/CSA-C22.2
NFPA 79-2002



The CA200 elevating wall mounted right hand approach autopsy sink provides all of the features normally found in a typical pedestal type autopsy table without the space requirements. The wall mounted style eliminates the physical strain of moving the body since the autopsy is performed directly on the autopsy cart. Wall mounted design allows for easy floor cleaning.

Autopsy cart overhangs the station allowing fluids to drain directly into the sink. Adjacent to the sink is the ample dissection area with removable grid plates. Dissection area grid plates are elevated above a sloped surface and drain directly into the sink.



CB200 Wall Mounted Elevating Autopsy Sink

Left Hand Sink

Patent Pending

Elevating
Elevating

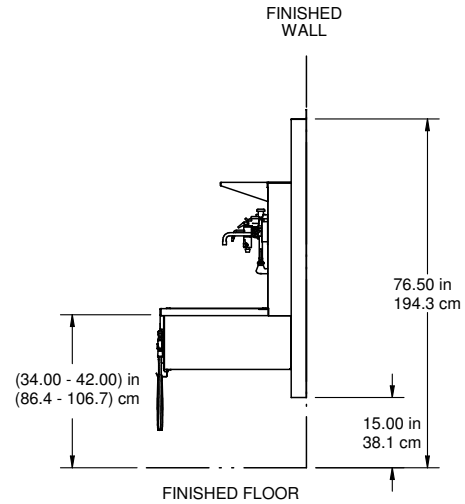
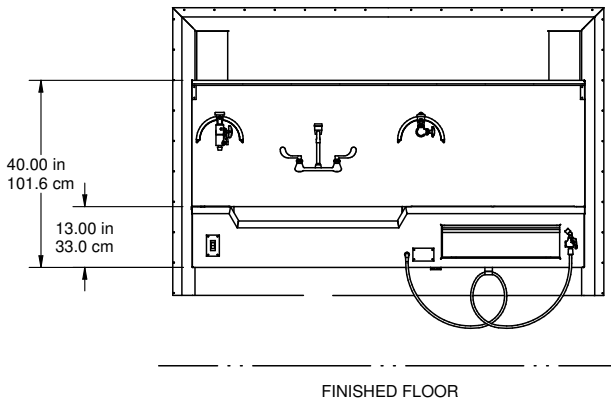
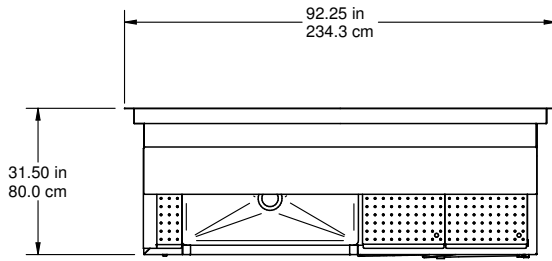
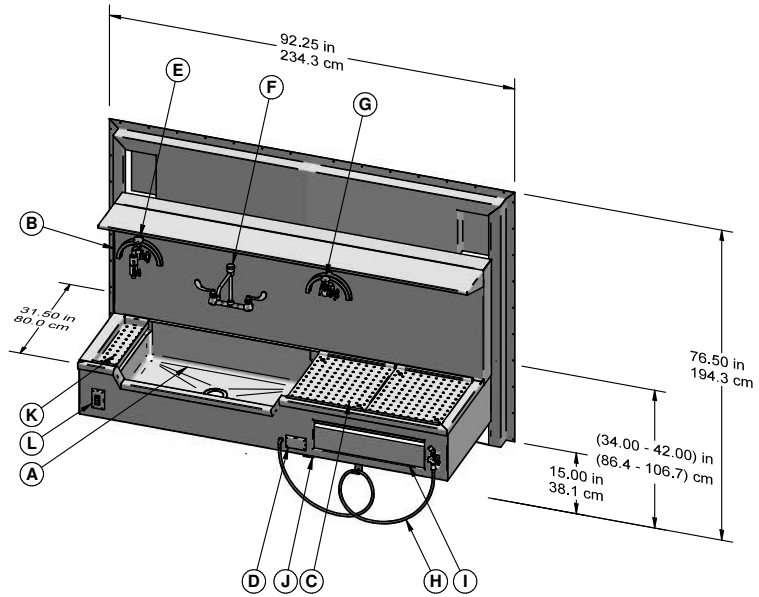
- 1
- 2
- 3
- 4
- 5
- 6
- 7
- 8
- 9
- 10
- 11

STANDARD FEATURES

- A Integral Sink (38" x 20" x 6")
- B Backsplash
- C Removable Grid Plates (2)
- D GFCI Electrical Outlet
- E Hydro Aspirator
- F Fixture w/Swing Spout
- G Body Rinse
- H Hand Spray
- I Large Instrument Drawer
- J Instrument Rinse Tray
- K Elevation Switch
- L Main Circuit Breaker Switch

OPTIONAL FEATURES

- CO003 Sink Perimeter Rinse
- CO004 Gas Valve
- CO005 Air Valve
- CO006 Safety Eye Wash - Splash Mount
- CO007 Exhaust Duct and Vent Grill
- CO008 Fluorescent Light Assembly
- CO016 Scale Stand Wall Mounted
- CO020 Organ Rinse Basket
- CO022 Evidence Screen
- BL800 1 HP Disposal



UL 61010:2004
CAN/CSA-C22.2
NFPA 79-2002

The CB200 elevating wall mounted left hand approach autopsy sink or wall mounted elevating autopsy sink provides all of the features normally found in a typical pedestal type autopsy table without the space requirements. The wall mounted style eliminates the physical strain of moving the body since the autopsy is performed directly on the autopsy cart.

Opposite the sink is an ample autopsy dissection area, with removable grid plate. The dissection area grid plate is mounted above a sloped surface, which drain directly into the sink. Wall mounted design allows for easy floor cleaning.

CC200 Wall Mounted Elevating Autopsy Sink

Center Sink

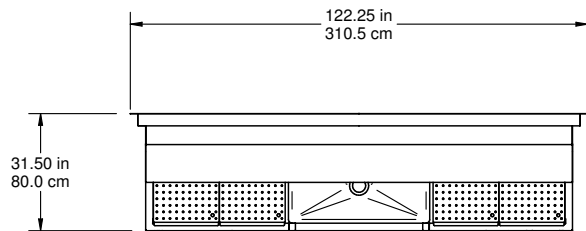
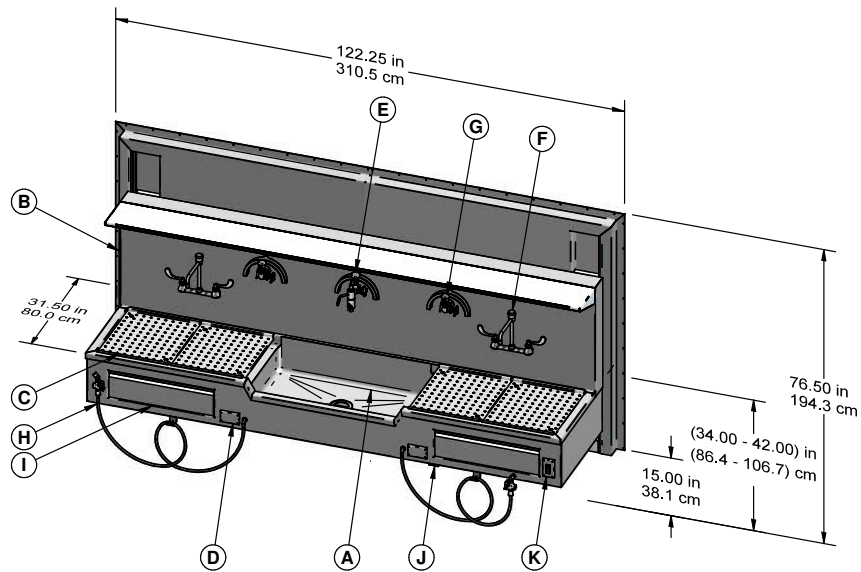
Patent Pending

STANDARD FEATURES

- A Integral Sink (38" x 20" x 6")
- B Backsplash
- C Removable Grid Plates (4)
- D GFCI Electrical Outlet (2)
- E Hydro Aspirator
- F Fixture w/Swing Spout (2)
- G Body Rinse (2)
- H Hand Spray (2)
- I Large Instrument Drawer (2)
- J Elevation Switch
- K Main Circuit Breaker Switch

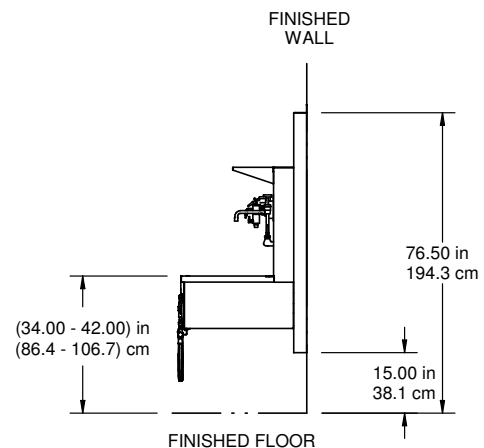
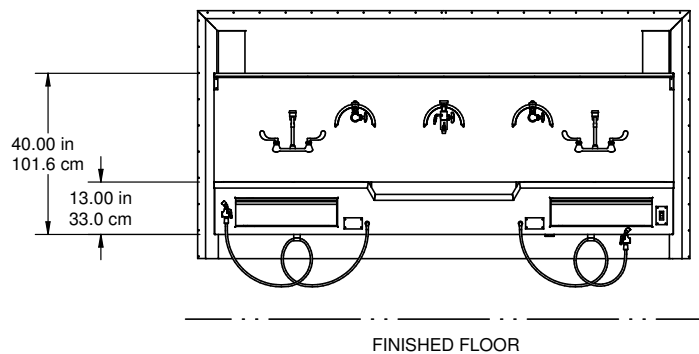
OPTIONAL FEATURES

- CO003 Sink Perimeter Rinse
- CO004 Gas Valve
- CO005 Air Valve
- CO006 Safety Eye Wash - Splash Mount
- CO007 Exhaust Duct and Vent Grill
- CO008 Fluorescent Light Assembly
- CO016 Scale Stand Wall Mounted
- CO020 Organ Rinse Basket
- CO022 Evidence Screen
- BL800 1 HP Disposal



UL 61010:2004

CAN/CSA-C22.2
NFPA 79-2002



The CC200 elevating wall mounted center approach autopsy sink provides all of the features normally found in a typical pedestal type autopsy table without the space requirements. The autopsy cart overhangs the autopsy station allowing fluids to drain directly into the sink. On each side of the sink are

dissection areas of equal size with removable and interchangeable grid plates.

The dissection area includes grid plates which are elevated above a sloped surface that drains directly into the sink. Wall mounted design allows for easy floor cleaning.



DA Series Autopsy Carts

1

2

3

4

5

6



DA100 (consists of chassis, DA000, and autopsy top, GA100)

7

8

9

The DA Series autopsy carts are used in conjunction with Mopec's wall mounted autopsy sinks. The frame is rigid with a built in slope allowing for fluid drainage into the autopsy sink. The downward sloped edge of the cart frame will latch onto the C Series sink if needed.

The DA Series feature heavy-duty 8" diameter non-corrosive powder coated wheels. During transport, one caster is swivel locked for easy mobility. When inactive, the casters can be locked in place.



DA000 Chassis only

10

11

DA Series Standard Features

Cart Top: Fabricated of 14 gauge stainless steel with #4 satin finish. The top is recessed and dimpled toward the drain hole. A drain plug on a chain is provided. All exposed welds are ground smooth and grained to match a #4 satin finish. Mopec provides multiple style cart tops that will fit the DA Series Autopsy Carts.

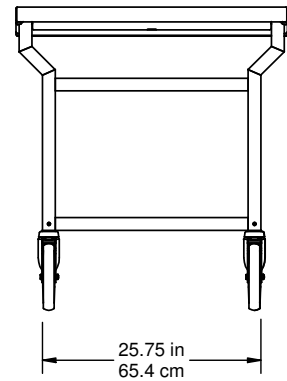
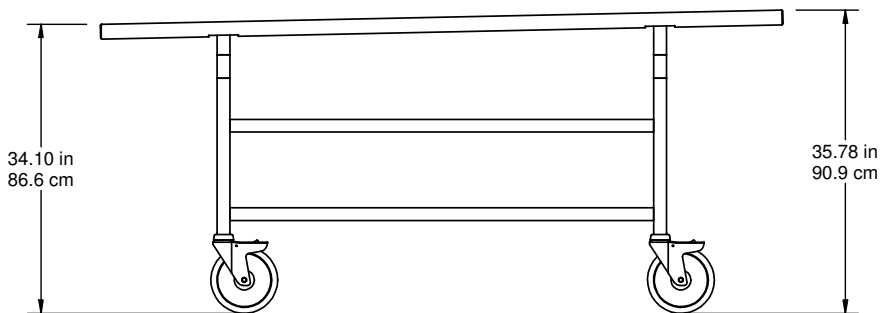
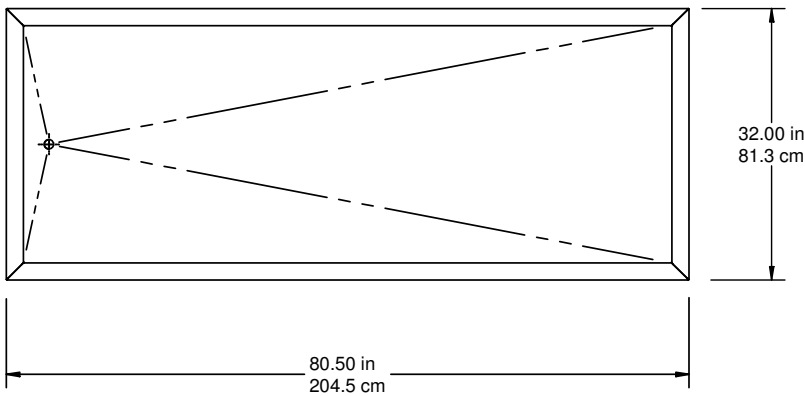
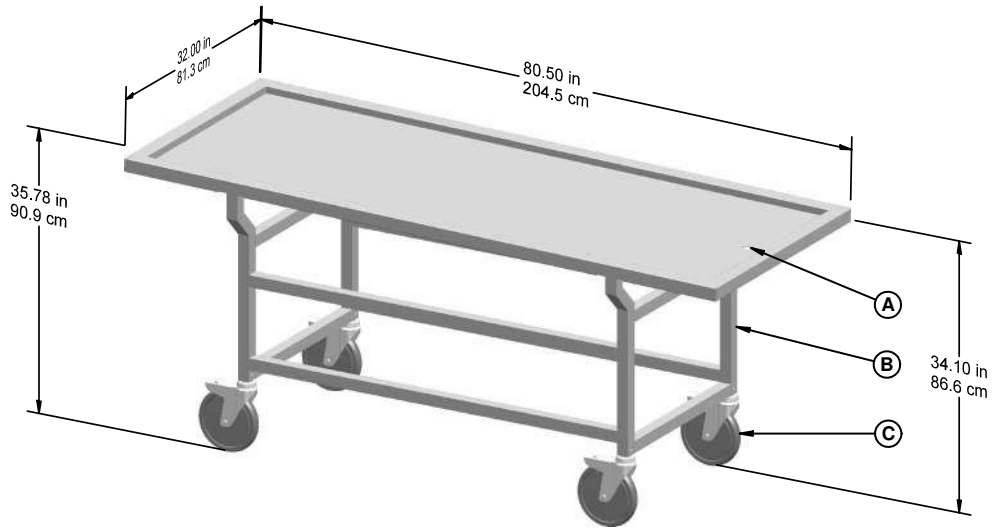
Cart Frame/Welding: Fabricated of 1-1/2" (3.8 cm) heavy gauge stainless steel tubing. All welding is TIG type utilizing only stainless steel as a filler media. All welding is continuous with an approximate 1/8" (.38 cm) radius bead and are clean and free of burrs and discoloration. Weld fillets are approximately 1/8" (.64 cm) in diameter.

ISO: Quality Management System in compliance with ISO 9001:2008 and applies: Design, Engineering, Manufacturing and Installation of Equipment Distribution of Supplies for Morgue, Pathology, Histology and Necropsy Applications.

DA Series Autopsy Carts

Description	Product No.
Autopsy Cart Chassis Only	DA000
Autopsy Cart Chassis and GA100 Top	DA100
Autopsy Cart Chassis and GA300 Top	DA300
Autopsy Cart Chassis and GA600 Top - Fiberglass	DA600
Autopsy Cart Chassis and GA800 Top - X-Ray Plastic	DA800
Autopsy Cart Chassis and GA850 Top - X-Ray Plastic	DA850

DA Series Autopsy Carts



STANDARD FEATURES:

- A Drain with rubber plug
- B Heavy-duty cart frame
- C Heavy duty eight inch casters



DB Series Autopsy Carts - Elevating

1

2

3

4

5

6

7

8

9

10

11



DB000 and autopsy top, GA100



DB000 and autopsy top, GA600



DB000 Autopsy Cart

The DB Series elevating (hand crank) autopsy carts can be used in conjunction with any of Mopec's C Series Wall Mounted Autopsy Sinks. The frame design features a hand lifting mechanism that elevates one end of the autopsy cart allowing for a sloped surface. The downward sloped edge of the cart frame will latch onto the C Series sink if needed.

Standard features include an elevating mechanism consisting of two hydraulic cylinders actuated by a hand crank assembly with 7-1/2" (19 cm) of travel.

The DB Series feature heavy-duty 8" diameter non-corrosive powder coated wheels. During transport, one caster is swivel locked for easy mobility. When inactive, the casters can be locked in place. Weight capacity is 375 pounds.

ISO: Quality Management System in compliance with ISO 9001:2008 and applies: Design, Engineering, Manufacturing and Installation of Equipment Distribution of Supplies for Morgue, Pathology, Histology and Necropsy Applications.

DB Series Standard Features

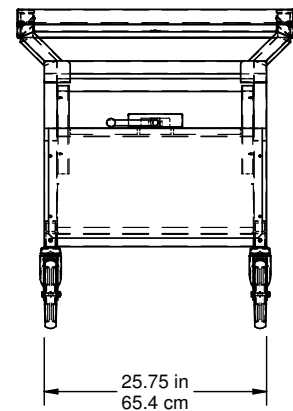
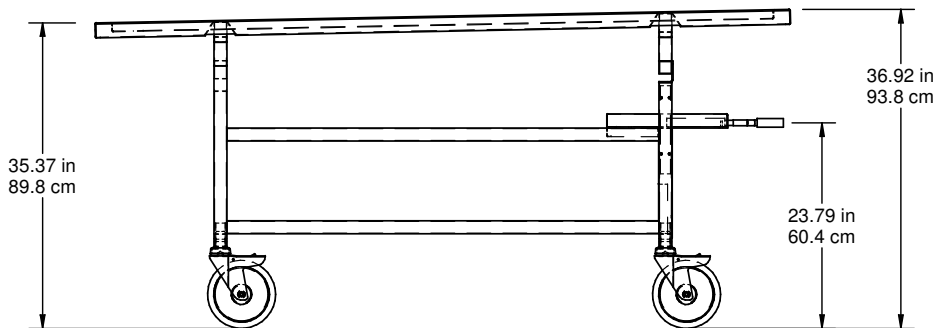
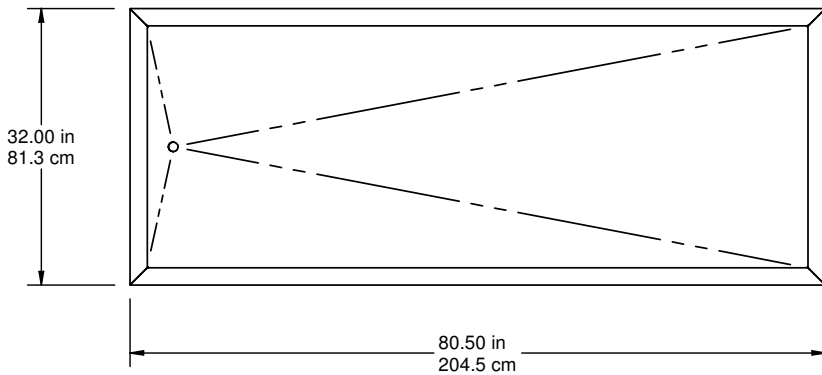
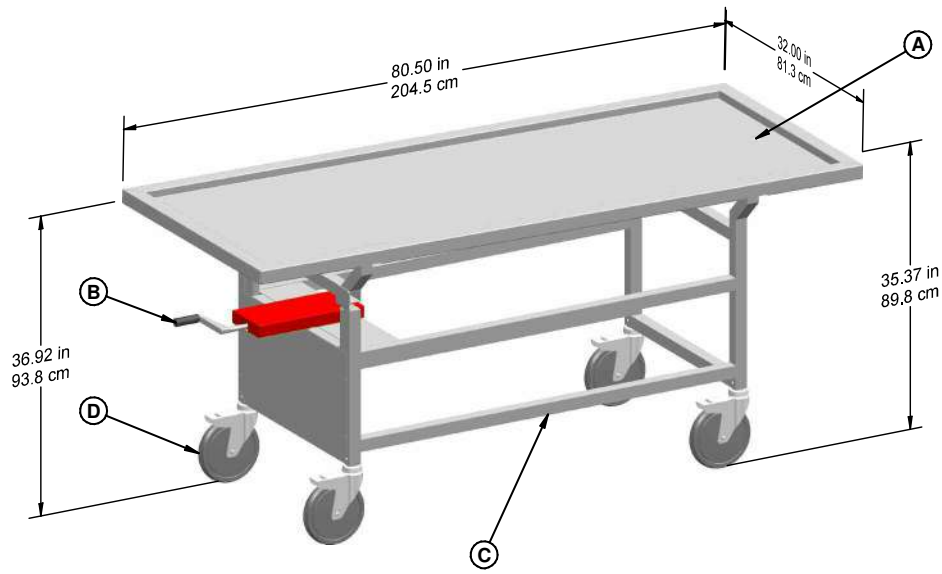
Elevating Mechanism: Hand cranked mechanical/ hydraulic lift system with 7-1/2" of lift adjustment.

Cart Frame: 1-1/2" (3.8 cm) heavy gauge stainless steel tubing. TIG type welding is continuous with an approximate 1/8 inch (31 cm) radius bead. Weld fillets are brushed clean removing any burrs or discoloration.

DB Series Autopsy Carts

Description	Product No.
Autopsy Cart Hand Crank Chassis Only	DB000
Autopsy Cart Hand Crank Chassis and GA100 Top	DB100
Autopsy Cart Hand Crank Chassis and GA300 Top	DB300
Autopsy Cart Hand Crank Chassis and GA600 Top	DB600
Autopsy Cart Hand Crank Chassis and GA800 Top	DB800
Autopsy Cart Hand Crank Chassis and GA850 Top	DB850

DB Series Autopsy Carts - Elevating



STANDARD FEATURES:

- A Drain with rubber plug
- B Elevating handle
- C Heavy-duty cart frame
- D Heavy duty eight inch casters



DC Series Autopsy Carts

1

2

3

4

5

6

7

8

9

10

11



The DC Autopsy Cart elevates and tilts at both ends offering a variety

The DC Series tilting/elevating autopsy carts are used in conjunction with the wall mounted autopsy sinks or as a simple viewing stretcher. The autopsy cart incorporates hydraulic lifting cylinders allowing for either end to be elevated and/or tilted. Dual side mounted foot controls allow for simple elevating/tilting from either side.

The DC Series uses a Stryker base which has an elevating height of 14". Dual-locking levers, locks all wheels simultaneously from either end. Chassis is constructed of high impact PVC with twin pedestal hydraulics. Dual end wheel brake activator built in. A variety of interchangeable, removable tops are available.

No need for cart latch, simply use dual locking feature to keep cart in a fixed position.

ISO: Quality Management System in compliance with ISO 9001:2008 and applies: Design, Engineering, Manufacturing and Installation of Equipment Distribution of Supplies for Morgue, Pathology, Histology and Necropsy Applications.



Fully raised



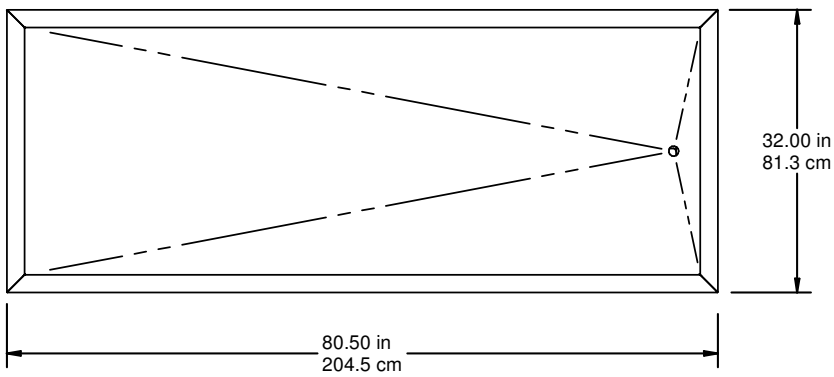
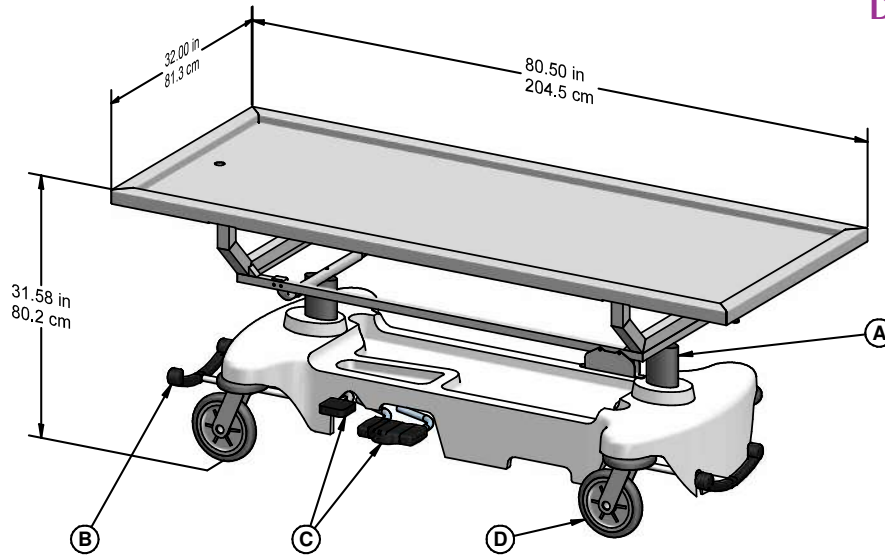
Tilt either end

DC Series Autopsy Carts

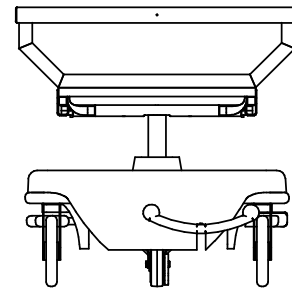
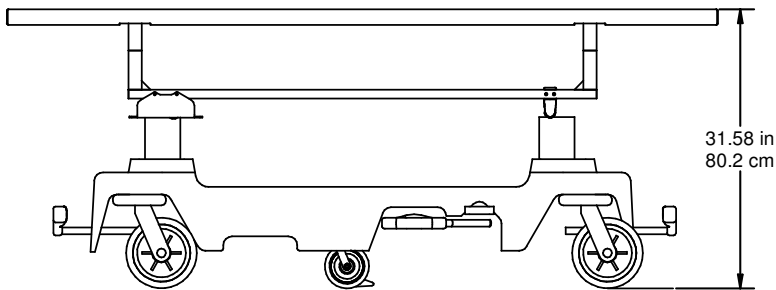
Description	Product No.
Autopsy Cart Hydraulic Chassis Only	DC000
Autopsy Cart Hydraulic Chassis and GA100 Top	DC100
Autopsy Cart Hydraulic Chassis and GA300 Top	DC300
Autopsy Cart Hydraulic Chassis and GA600 Top	DC600
Autopsy Cart Hydraulic Chassis and GA800 Top	DC800
Autopsy Cart Hydraulic Chassis and GA850 Top	DC850

DC Series Autopsy Carts

DC100 Shown



Fully lowered



STANDARD FEATURES:

- A Hydraulic Chassis
- B Brake Control
- C Elevation Control Pedals
- D Casters with Locking Mechanism and 5th Wheel Steering

1
2
3
4
5
6
7
8
9
10
11

DC400 Bariatric Autopsy Cart

1

2

3

4

5

6



7

8

9

10

11

The DC400 Bariatric Autopsy Cart can be used in conjunction with wall mounted autopsy sinks or as a simple viewing stretcher. Designed with heavy gauge wall tubing and a reinforced frame with an inset oversized top. Maximum capacity 1000 pounds.

The top is not removable and includes a drain built in the cart top. The cart top measures 80-1/2" x 40" (204.4 cm x 101.6 cm) with a 1-1/2" profile and a slope of 2 inches.

The DC400 Bariatric Cart features heavy-duty 8" diameter non-corrosive powder coated wheels. During transport, one caster is swivel locked for easy mobility. When inactive, the casters can be locked in place.

DC400 Standard Features

Cart Top: Fabricated of 14 gauge stainless steel with a #4 satin finish. The top is permanently welded to the frame of the chassis. The top is also provided with a frame around the perimeter yielding additional support.

Cart Frame: Fabricated of 1-1/2" extra heavy gauge stainless steel tubing. The frame is provided with additional cross tubing support.

Gussets: Angle support gussets provided on each corner for extra strength.

Welding: All welding is TIG type utilizing only stainless steel as a filler media. All weld fillets are approximately 1/4" diameter. All welds are brushed clean removing any burns or discoloration

ISO: Quality Management System in compliance with ISO 9001:2008 and applies: Design, Engineering, Manufacturing and Installation of Equipment Distribution of Supplies for Morgue, Pathology, Histology and Necropsy Applications.

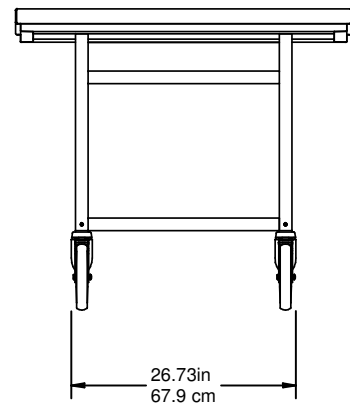
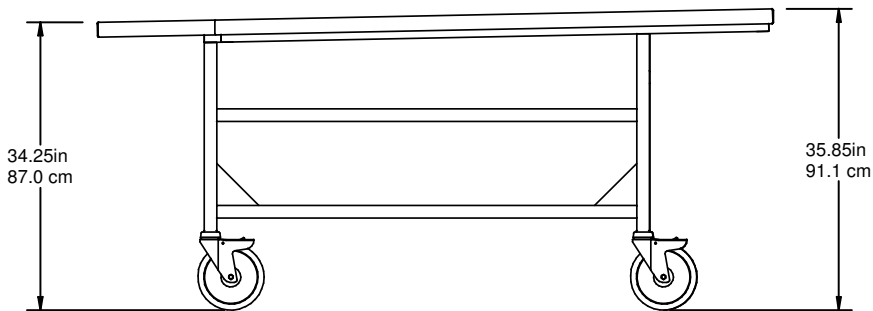
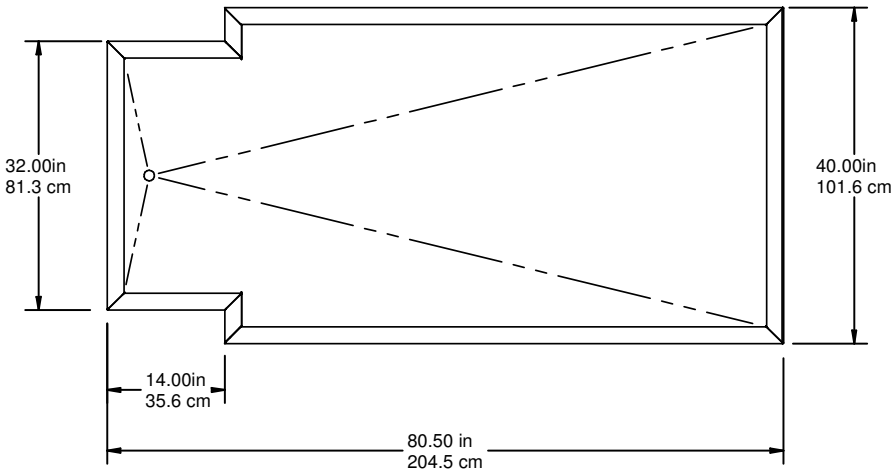
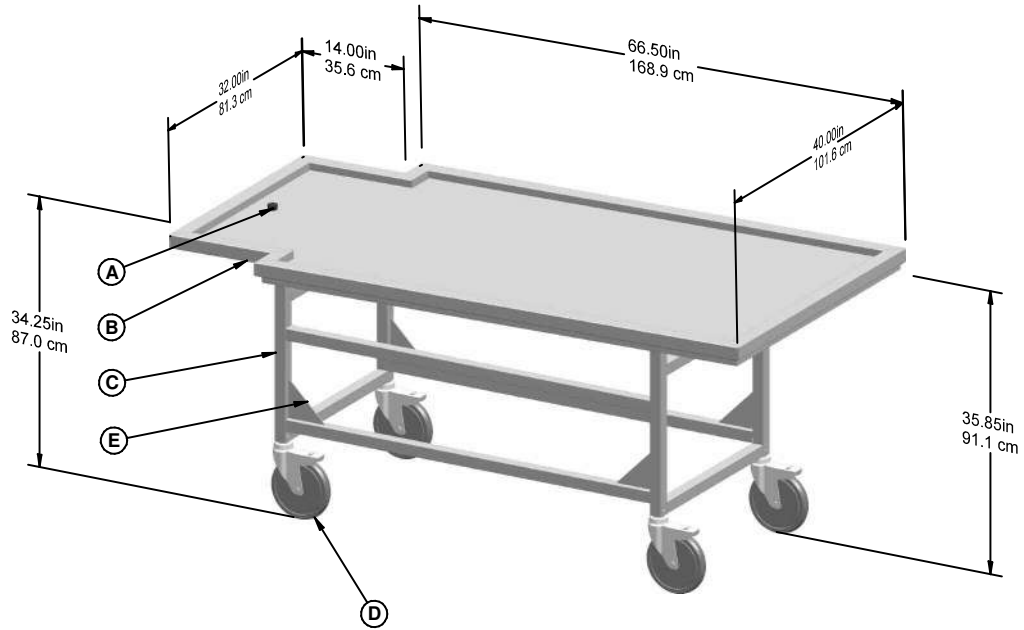


DC400 shown with custom wall mounted autopsy sink

DC400 Optional Features

Description	Product No.
False frame for DC400 includes cover (white)	DC410

DC400 Bariatric Autopsy Cart



STANDARD FEATURES:

- A Drain with Rubber Plug
- B Extra Large Top (Non Removable)
- C Heavy-Duty Cart Frame, 1000# Capacity
- D Caster with Total Lock System
- E Support Gussets



DC500 Tilting Bariatric Autopsy Cart

Hand Crank

1

2

3

4

5

6



7

The DC500 is designed to be used in conjunction with wall mounted autopsy sinks or as a simple viewing stretcher, this high load-bearing table has a manual hand-crank hydraulic lifting system with dual cylinders. One end of the table can be elevated 6" for better drainage into the autopsy sink.

8

Standard features include an elevating mechanism consisting of two hydraulic cylinders actuated by a hand crank assembly with 6" (15.24 cm) of travel.

9

With a maximum weight capacity of 1,000 lbs, this table is constructed using heavy gauge wall tubing and features a reinforced frame and an inset, non-removable oversized top. The top measures 80-1/2" x 40" (204.4 cm x 101.6 cm) with a crease to drain and a 1-1/2" profile.

10



Tilting autopsy cart uses a simple hand crank, elevates up to six inches

11

DC500 Standard Features

Elevating Mechanism: Hand cranked mechanical/hydraulic lift system with 6" of lift adjustment.

Cart top: Fabricated of 14 gauge stainless steel with a #4 satin finish. The top is permanently fixed to the frame of the chassis.

Cart Frame/Welding: Fabricated of 1-1/2" extra heavy gauge stainless steel tubing. All welding is TIG type utilizing only stainless steel as a filler media. All fillet welds are approximately 1/4" wide and all exposed welds are ground smooth and grained to match the table's #4 satin finish. Frame includes cross tubing support, while the top also has a frame around its perimeter for additional support.

Gussets: Angle support gussets provided on each corner for extra strength.

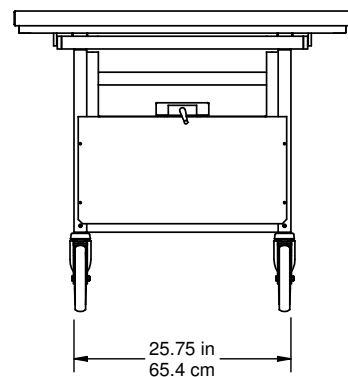
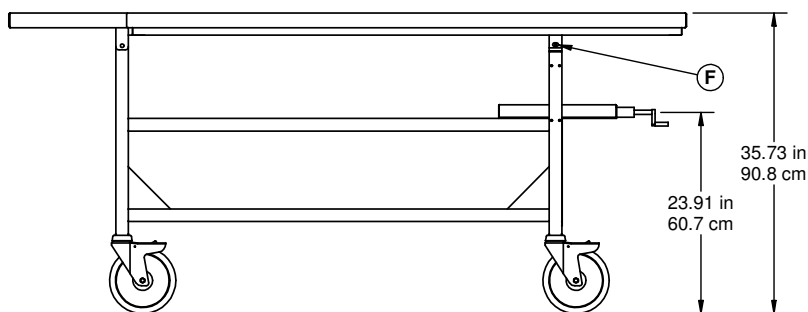
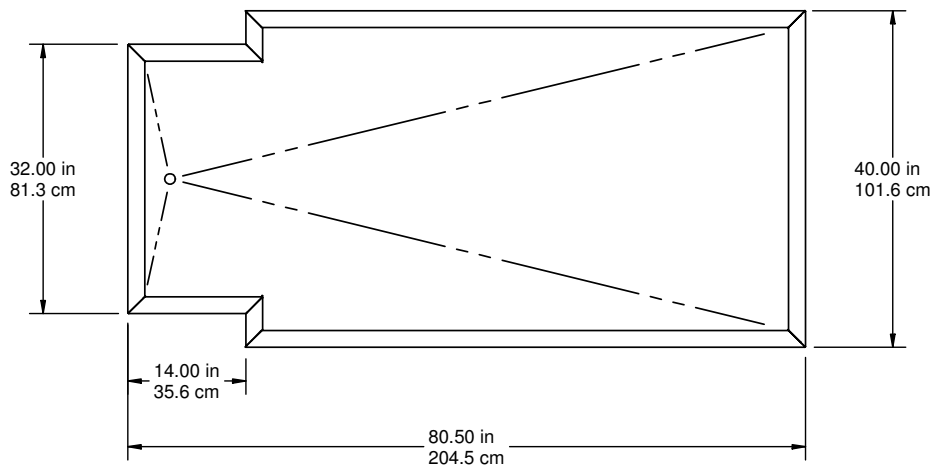
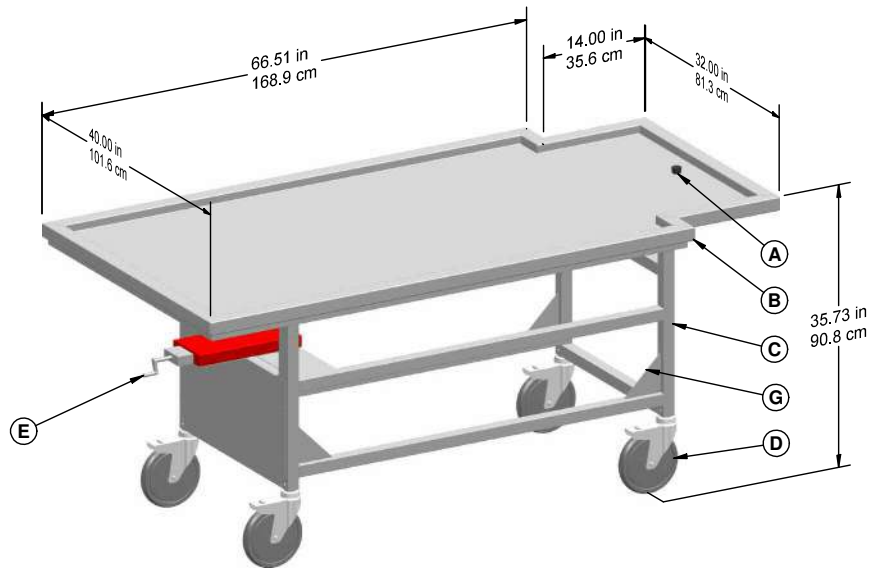
ISO: Quality Management System in compliance with ISO 9001:2008 and applies: Design, Engineering, Manufacturing and Installation of Equipment Distribution of Supplies for Morgue, Pathology, Histology and Necropsy Applications.

DC500 Optional Features

Description	Product No.
False frame for DC500 includes cover (white)	DC410

DC500 Tilting Bariatric Autopsy Cart

Hand Crank



STANDARD FEATURES:

- A Drain with rubber plug
- B Extra large top (Non Removable)
- C Heavy-duty cart frame, 1000 lb. capacity
- D One directional caster and three braking casters
- E Folding hand-crank operation
- F Lift on one table end (6" raise)
- G Support gussets



DD Series Autopsy Carts

1

2

3

4

5

6



DD000 shown with modified JC100 body tray

Fitted to saddle the JC Series Body Tray within the frame, the DD Series is designed with a built in slope. Mopec offers two different sizes of body trays that are removable and easily transported with a motorized or manual fork type lift. Mopec carts feature 8" heavy-duty wheels.

DD Series Standard Features

Cart Saddle: Fabricated of 14 gauge stainless steel with #4 satin finish. The saddle is completely welded with no overlapping seams or gaps. All exposed welds are ground smooth and grained to match a #4 satin finish.

Cart Frame Material: 1-1/2" (3.8 cm) 16 gauge stainless steel tubing. All welding is continuous with an approximate 1/8" (.31 cm) radius bead.

Welding: All welding is TIG type utilizing only stainless steel as a filler media. All weld fillets are approximately 1/4" (.64 cm) diameter and are brushed clean removing any weld burrs and discoloration

Wheels/Casters: Heavy-duty 8" diameter non-corrosive powder coated wheel. During transport, one caster is swivel locked for easy mobility. When inactive, the caster can be locked in place.

ISO: Quality Management System in compliance with ISO 9001:2008 and applies: Design, Engineering, Manufacturing and Installation of Equipment Distribution of Supplies for Morgue, Pathology, Histology and Necropsy Applications.

DD Series Autopsy Carts

Description	Product No.
Autopsy Cart, Saddle Style (Chassis Only) for 23" Body Tray	DD000
Autopsy Cart, Saddle Style and 23" JC100 Body Tray	DD100
Autopsy Cart, Saddle Style (Chassis Only) for 27" Body Tray	DD050
Autopsy Cart, Saddle Style and 27" JC101 Body Tray	DD200



DD050 shown with modified JC101 body tray

7

8

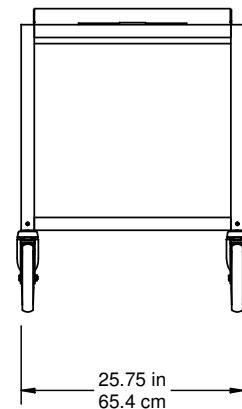
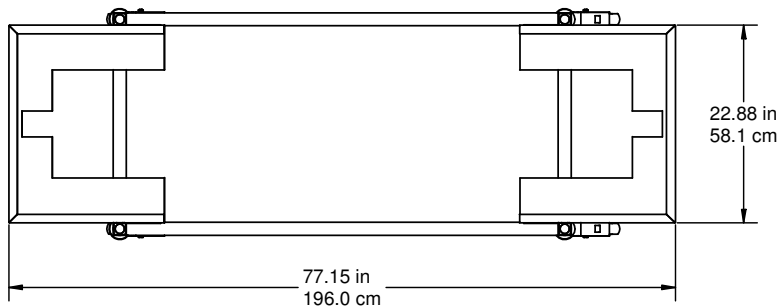
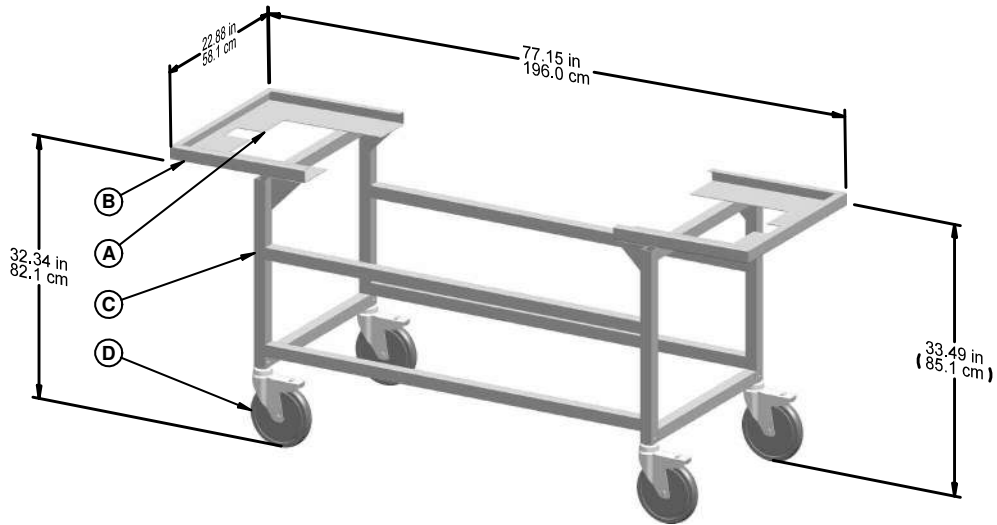
9

10

11

DD Series Autopsy Carts

DD000 Autopsy Cart Tray, Saddle Chassis Only



STANDARD FEATURES:

- A Cut-out for Tray Drain Hole
- B Body Tray Saddle
- C Heavy-Duty Cart Frame
- D Caster with Total Lock System



DE Series Autopsy Carts

1

2

3

4

5



DE100 roller style autopsy cart

6



Modified DE000 chassis shown with GA100 cart top

7

8



Modified DE000 chassis

9

The DE Series Roller Style autopsy cart can be used in conjunction with any of Mopec's wall mounted sinks and is designed to accept the JC100, JC101 or JC200 Body Trays. Gliding on corrosion proof nylon rollers, the body tray easily rolls onto the cart frame. The DE000 is also designed with a built in slope. Mopec carts feature 8" diameter heavy duty non-corrosive powder coated locking wheels.

ISO: Quality Management System in compliance with ISO 9001:2008 and applies: Design, Engineering, Manufacturing and Installation of Equipment Distribution of Supplies for Morgue, Pathology, Histology and Necropsy Applications.

10

DE Series Standard Features

Cart Frame Material: 1-1/2" (3.8 cm) heavy gauge stainless steel tubing. All welding is continuous with an approximate 1/8" (.31 cm) radius bead.

Tray Roller Wheels: 2" diameter polypropylene roller wheel assembly. Each wheel assembly includes oilite bushings and washers providing an almost effortless motion of loading and unloading of the tray.

Welding: All welding is TIG type utilizing only stainless steel as a filler media. All weld fillets are approximately 1/4" diameter and are brushed clean removing any burrs or discoloration.

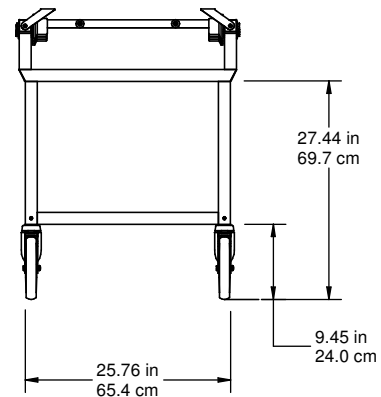
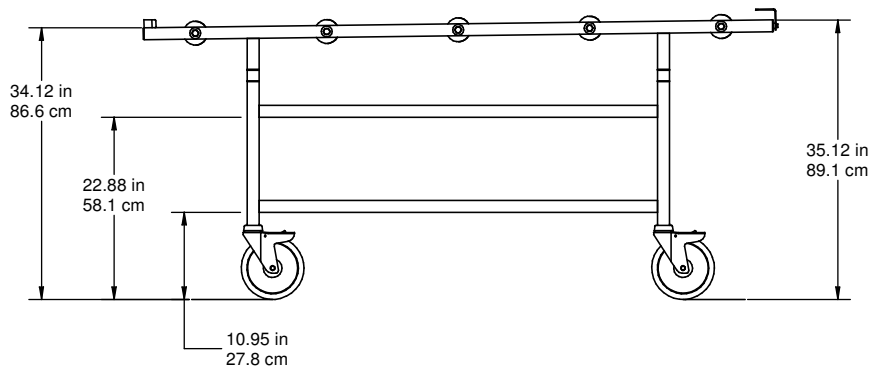
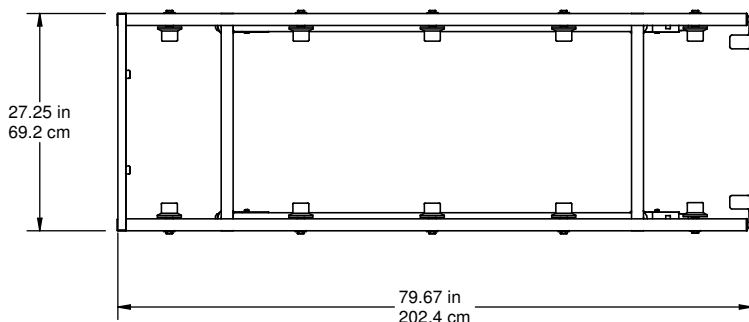
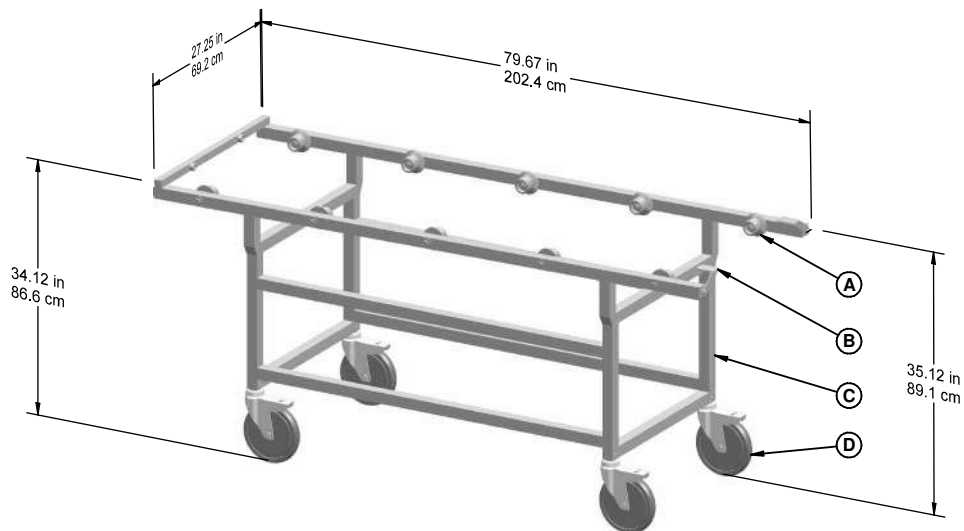
DE Series Autopsy Carts

Description	Product No.
Autopsy Cart Roller Type (Chassis Only) for 23" Tray	DE000
Autopsy Cart Roller Type w/JC100 Body Tray 23"	DE100
Autopsy Cart Roller Tray w/JC200 Body Tray 23"	DE300
Autopsy Cart Roller Type (Chassis Only) for 27" Tray	DE050
Autopsy Cart Roller Type w/JC101 Body Tray 27"	DE200

11

DE Series Autopsy Carts

DE050 Autopsy Cart Roller Type, Saddle Chassis Only



- STANDARD FEATURES:**
- A Roller Wheel Assembly
 - B Tray Latch
 - C Heavy-Duty Frame
 - D Caster with Total Lock System



DF100 Autopsy Cart with Grid Plates

1

2

3

4

5

6

7

8

9

10

11



DF100 Autopsy Cart Top



DF100 Autopsy Cart

The DF100 autopsy cart can be used in conjunction with any of Mopec's wall mounted autopsy sinks, the top is designed with a built in slope. The cart top is removable and easily transported with either a motorized or manual fork type lift.

Specially designed grid plates, designed for flush fit with cart edge, lock into place allowing the body to be level with the leading edge of the top. This style grid plate eliminates the strenuous task of lifting a body over an edge of the tray. Four independent grid plates are perforated and removable.

All Mopec carts feature Total Lock caster system with non corrosive, 8" heavy-duty wheels. Caster wheel center is fabricated using state-of-the-art powder coated plastic with polyurethane treads for years of lasting service. Locking and braking are accomplished through effortless pedal motion. During autopsy, swivel and brakes on all casters are locked simultaneously from one position. During transport, one caster swivel is locked for easy mobility.

DF100 Standard Features

Frame: Material on the cart frame is 1-1/2" heavy gauge wall stainless steel tubing. All welding is continuous with an approximate 1/8" radius bead.

Welding: All welding is TIG type utilizing only stainless steel as a filler media. All welds are clean and free of burrs and discoloration.

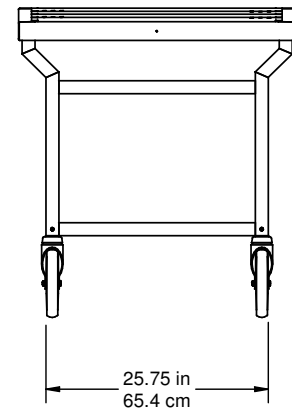
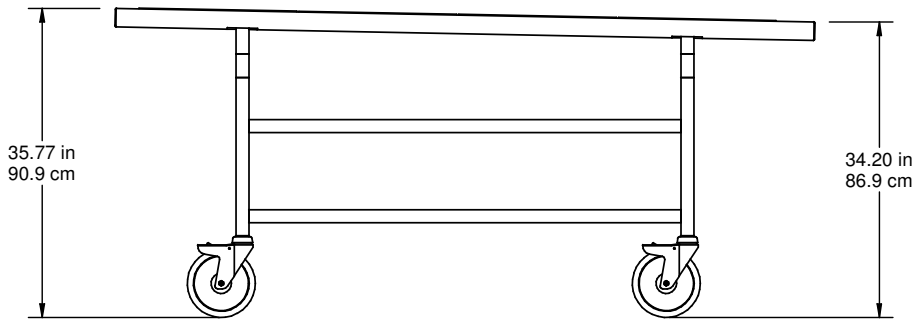
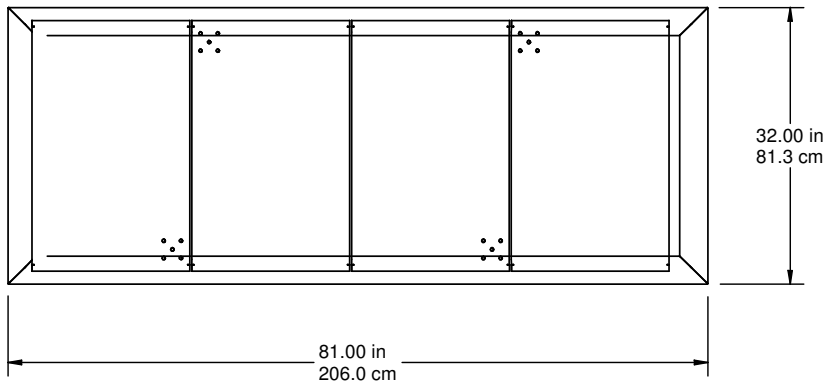
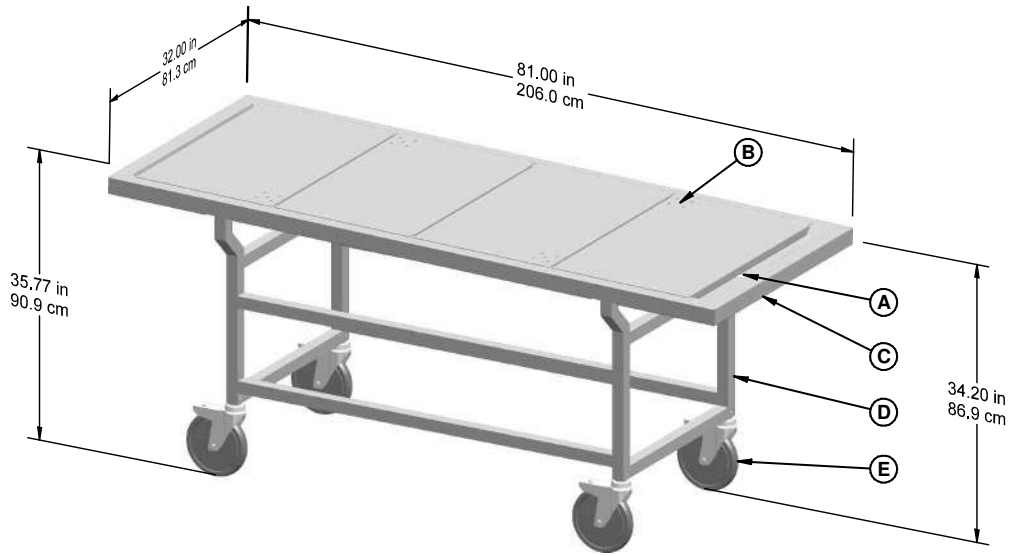
Grid Plates: Grid plates designed for flush fit with cart edge. Four independent grid plates are perforated and removable.

Wheels/Casters: Heavy-duty 8" diameter non-corrosive powder coated wheel. During transport, one caster is swivel locked for easy mobility. When inactive, the caster can be locked in place.

Cart Top: Top fabricated of 14 gauge stainless steel with #4 satin finish. The top measures 32" W x 81" L x 1-3/4" profile with a 2" ledge around the full perimeter. The top is recessed 2" deep and provided with heavy drain creases toward the dimpled drain hole. The drain plug is provided with a stainless steel chain permanently affixed to the top flange. All exposed welds are ground smooth and grained to match the #4 satin finish.

ISO: Quality Management System in compliance with ISO 9001:2008 and applies: Design, Engineering, Manufacturing and Installation of Equipment Distribution of Supplies for Morgue, Pathology, Histology and Necropsy Applications.

DF100 Autopsy Cart with Grid Plates



- STANDARD FEATURES:**
- A Drain with Rubber Plug
 - B Perforated Grid Plates
 - C Autopsy Cart Top
 - D Heavy-Duty Frame
 - E Caster with Total Lock System



CF Series Embalming Workstations

1

2

3

4

5

6



CF200 Embalming Sink shown with CF400 Embalming Cart

CF Series Standard Features

Dissection Area and Sink Well and Back Splash: Fabricated with a 2" (5 cm) rim and full 1" (2.5 cm) radiused corners, the drain board areas are recessed 2" (5 cm) and sloped with a 1" (2.5 cm) drop toward the main sink well. The main sink is 6" (15.3 cm) deep and holds approximately 18 gallons. Double creased for complete drainage and integrally constructed with the back splash, it has no seams or caulk joints.

Front Panel: Integral sink to front panel construction with no hidden areas for bacteria growth.

Grid Plates: Work surface is elevated using removable grid plates above the drain area. Mounting is accomplished without pins, making them completely interchangeable and easily cleaned. The grid plates are perforated and recessed 1/2" (1.3 cm) below the sink ledge. (CF100 and CF200 have three grid plates, CF300 will have four grid plates).

Instrument Rinse Tray: A built in instrument rinse tray can be used to rinse or drain organs and/or instruments. (The basket has a grid panel design. Instrument rinse tray is only available on the CF100 and CF200.)

Drawer: Drawers are flush mounted with a continuous handle. Double pan construction with built in slides. (CF100 and CF200 have one drawer, CF300 has two, one on each side.)

Hydro-Aspirator: Deluxe Hydro-Aspirator has a reverse flow feature that instantly relieves clogging. Plumbed with a vacuum breaker which prevents any pollutants from entering the water system.

Faucet: Hot and cold water fixture with convenient wrist blade handles, goose neck faucet and vacuum breaker fixture mounted directly on faucet.

Receptacles: GFCI duplex receptacle with waterproof enclosure, cover. (CF100 and CF200 have one receptacle, CF300 has two.)

Exhaust Duct: Ventilation exhaust ducting, located over the dissection area of the table, is designed to remove pungent odors.

Body Rinse: A body rinse is provided which consists of a cold water valve, serrated hose fitting, vacuum breaker, 8 ft. (243 cm) of clear tubing and hose hanger bracket. (CF100 and CF200 have one body rinse, CF300 has two, one on each side).

Hand Spray: Fabricated of a heavy-duty brass chrome plated hand held fixture with 8 ft. (243 cm) high pressure hose. (CF100 and CF200 have one hand spray, CF300 has two, one on each side).

The CF Embalming Sink

The Embalming Sink incorporates all the necessary features for full body embalming. The sink includes a hot and cold water fixture with a hydro-aspirator that is conveniently located to aspirate any fluids from the body in preparation for embalming. A body rinse fixture is provided for the cleaning and rinsing process during the final stages of body embalming. Heavy-duty grid plates are utilized to support the embalming machine. The drain surface below the grid plates are tilted toward the large sink, which includes a perimeter rinse. The perimeter rinse prevents fluids from accumulating anywhere on the surface. All utilities including water, electrical, drain and air ventilation are attached to the embalming cart with quick disconnects.

Product Description

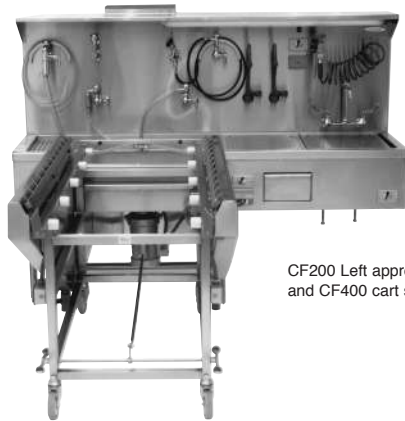
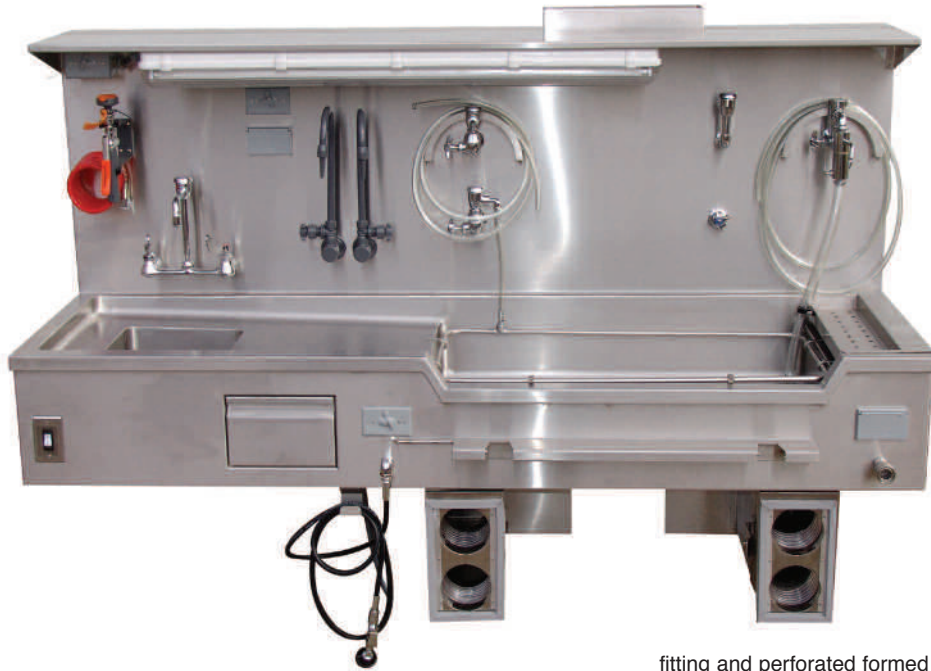
Product No. CF100 — Right Approach Sink

Product No. CF200 — Left Approach Sink

Product No. CF300 — Center Approach Sink

NOTE: Quantity of standard features may vary based upon model that is ordered. Example - instrument rinse tray is only on CF100 and CF200 due to space constraints. Please contact Mopec for more information when ordering.

CF Series Embalming Workstations



CF200 Left approach embalming sink and CF400 cart shown without tray

Superior Construction: TIG welding on all seams and mating sections, ground smooth and regrained to match #4 satin finish. All plumbing and electrical lines are factory installed and only require on site hook up.

ISO: Quality Management System in compliance with ISO 9001:2008 and applies: Design, Engineering, Manufacturing and Installation of Equipment Distribution of Supplies for Morgue, Pathology, Histology and Necropsy Applications.

APPROVAL: TUV Listed & Certified: Tests to UL61010-1 :2004 standards in addition to CAN/CSA and NFPA standards. This listing covers the entire product as an entity and not just individual components.

CF Series Optional Features

CO001 Leg Frame: For CF100 and CF200 only

CO002 Leg Frame: For CF300 only

CO003 Sink Perimeter Rinse Assembly: Provides a full perimeter rinse on all four sides of the sink where the cart drains. Includes cold-water on/off water control valve, serrated hose

fitting and perforated formed stainless steel tubing. Easily removable.

CO004 Gas Valve Splash Mount: Laboratory gas fitting with 1/4 turn on/off valve and serrated hose fitting.

CO005 Air Valve Splash Mount: Laboratory air fitting with 1/4 turn on/off valve and serrated hose fitting.

CO006 Safety Eye Wash Splash Mount: Eye wash with built-in vacuum breaker and retractable coiled hose and hanger.

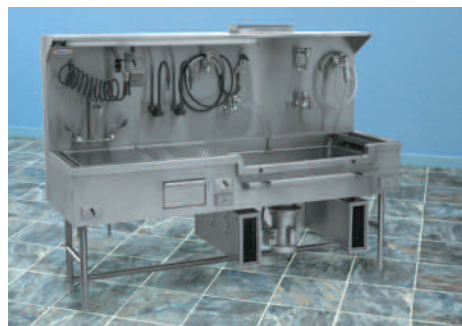
CO008 Fluorescent Light Fixture: 48" long, watertight, approved for complete wash down application.

CO026 Chemical Fixtures: Chemical resistant fixtures with tall gooseneck faucets are provided for dispensing deionized water and/or embalming solutions. The chemical resistant fixtures have needle valve control faucets for safety and accurate dispensing and filling of embalming equipment.

CO027 Power Source: Switched power source for embalming equipment.

BL800 Disposal: Heavy-duty 1 HP disposal, complete with on/off switch, water solenoid, and vacuum breaker.

UO002 Splash Mounted Dispensing Fixture: Chemical resistant fixture with tall gooseneck faucet provided for dispensing deionized water or embalming solutions.



CF100 shown with optional leg frame

1

2

3

4

5

6

7

8

9

10

11

CF100 Right Approach or CF200 Left Approach Embalming Sink

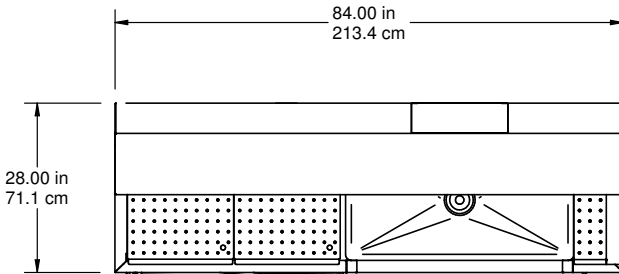
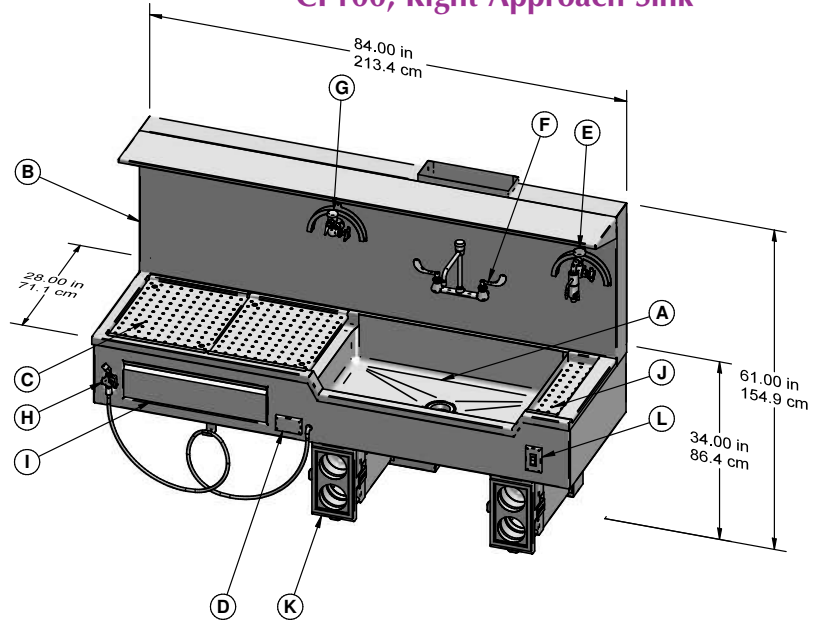
CF100, Right Approach Sink

STANDARD FEATURES

- A Integral Sink (38" x 20" x 6")
- B Backsplash
- C Removable Grid Plates (2)
- D GFCI Electrical Outlet
- E Hydro Aspirator
- F Fixture w/Swing Spout
- G Body Rinse
- H Hand Spray
- I Large Instrument Drawer
- J Instrument Rinse Tray
- K Cart-Fume Ventilation Lock
- L Main Circuit Breaker Switch

OPTIONAL FEATURES

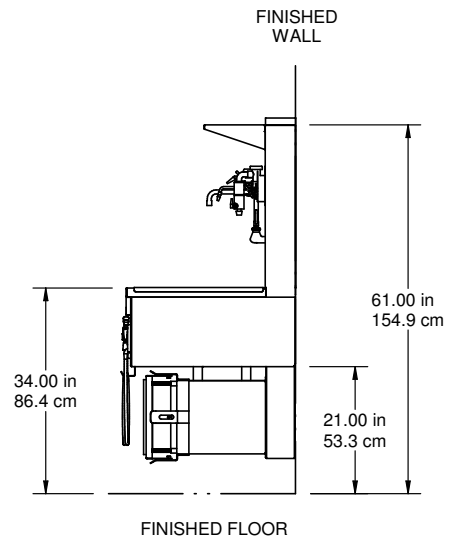
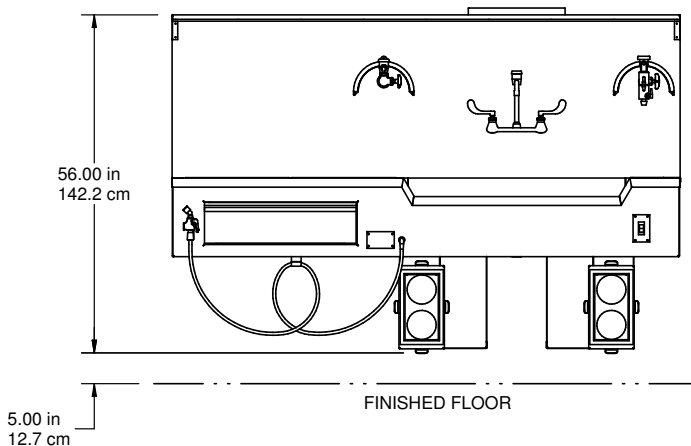
- CO001 Autopsy Sink Leg Frame
- CO003 Sink Perimeter Rinse
- CO004 Gas Valve
- CO005 Air Valve
- CO006 Safety Eye Wash - Splash Mount
- CO007 Exhaust Duct and Vent Grill
- CO008 Fluorescent Light Assembly
- CO016 Scale Stand Wall Mounted
- CO020 Organ Rinse Basket
- CO022 Evidence Screen
- BL800 BL800 1 HP Disposal



UL 61010:2004

CAN/CSA-C22.2

NFPA 79-2002



- 1
- 2
- 3
- 4
- 5
- 6
- 7
- 8
- 9
- 10
- 11

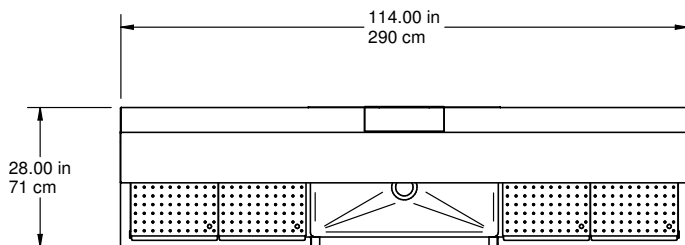
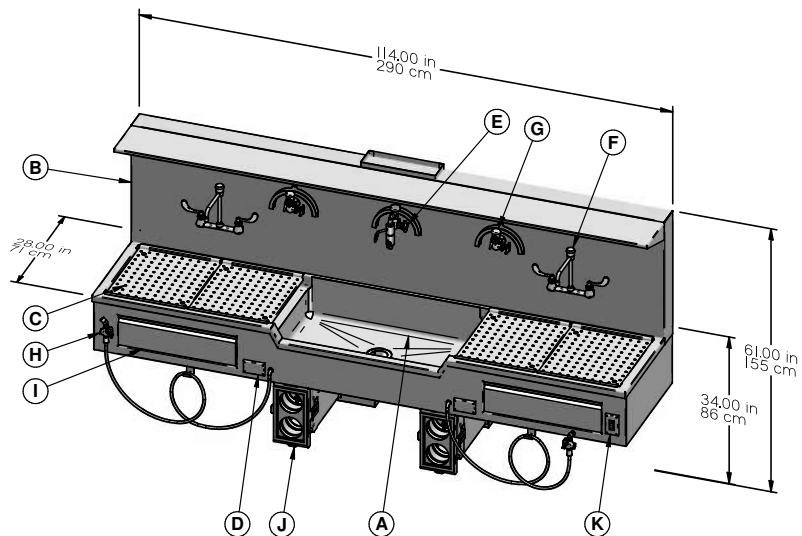
CF300 Center Approach Embalming Sink

STANDARD FEATURES

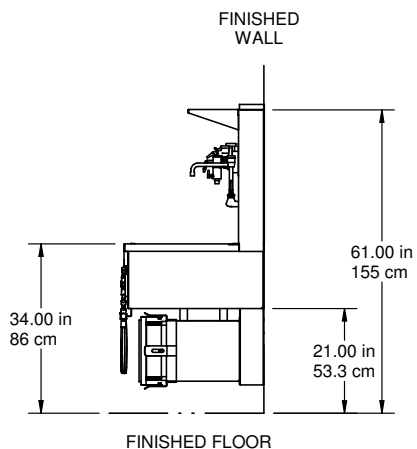
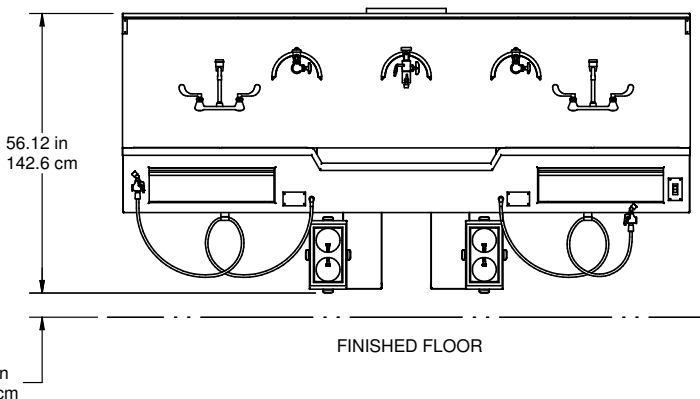
- A Integral Sink (38" x 20" x 6")
- B Backsplash
- C Removable Grid Plates (4)
- D GFCI Electrical Outlet (2)
- E Hydro Aspirator
- F Fixture w/Swing Spout (2)
- G Body Rinse (2)
- H Hand Spray (2)
- I Large Instrument Drawer (2)
- J Cart-Frame Ventilation Lock
- K Main Circuit Breaker Switch

OPTIONAL FEATURES

- CO002 Autopsy Sink Leg Frame (CC100 Only)
- CO003 Sink Perimeter Rinse
- CO004 Gas Valve
- CO005 Air Valve
- CO006 Safety Eye Wash - Splash Mount
- CO007 Exhaust Duct and Vent Grill
- CO008 Fluorescent Light Assembly
- CO016 Scale Stand & Support Socket
- CO020 Organ Rinse Basket
- CO022 Evidence Screen
- BL800 1 HP Disposal



UL 61010:2004
CAN/CSA-C22.2
NFPA 79-2002



1

2

3

4

5

6

7

8

9

10

11

CF Series Embalming Cart with Tray

1

2

3

4

5

6

7

8

9

10

11



The CF400 Embalming Cart

The Embalming Cart utilizes roller type body storage and processing equipment typically used for most anatomy departments and high capacity embalming facilities. The Embalming Cart incorporates two full length plenum exhaust chambers to fully ventilate the cadaver during the embalming process. Exhaust air velocities can easily accommodate hazardous formaldehyde fumes. Electrical receptacles are conveniently located on both sides of the cart for saws, clippers or other associated equipment. Includes line cord with hospital grade plug. The CF400 and CF401 Embalming Cart is universal and can be utilized with either the CF100, CF200 or CF300 Embalming Sinks. All of the above equipment also can be utilized with all Roller Style equipment.

Product Description

CF400 Embalming Cart includes a 23" JC100 Body Tray

CF401 Embalming Cart includes a 27" JC101 Body Tray

CF400 Standard Features

Receptacles: GFCI duplex receptacle with waterproof enclosure, cover.

Body Rinse: A body rinse is provided which consists of a cold water valve, serrated hose fitting, vacuum breaker, 8 ft. (243 cm) of clear tubing and hose hanger bracket.

Wheels/Casters: Heavy-duty 8" diameter non-corrosive powder

coated wheel. During transport, one caster is swivel locked for easy mobility. When inactive, the caster can be locked in place.

Superior Construction: TIG welding on all seams and mating sections, ground smooth and regrained to match #4 satin finish. All internal plumbing and electrical lines are factory installed and only require on site hook up.

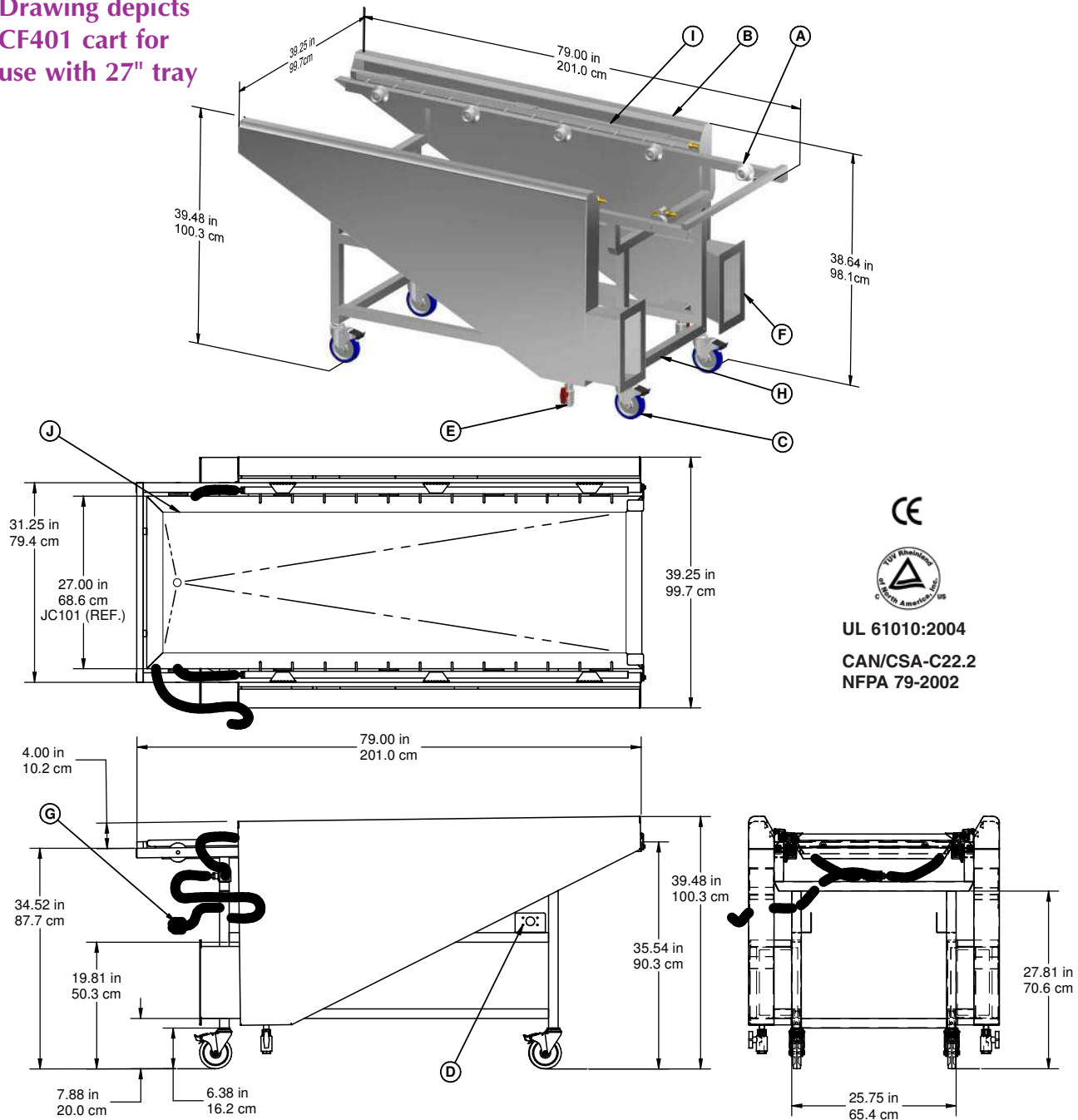
Body Tray: All stainless steel construction. Two hand slots on each end. Weight capacity of 375 pounds. Specify with or without drain holes.

ISO: Quality Management System in compliance with ISO 9001:2008 and applies: Design, Engineering, Manufacturing and Installation of Equipment Distribution of Supplies for Morgue, Pathology, Histology and Necropsy Applications.

APPROVAL: TUV Listed & Certified: Tests to UL61010-1 :2004 standards in addition to CAN/CSA and NFPA standards. This listing covers the entire product as an entity and not just individual components.

CF Series Embalming Cart with Tray

Drawing depicts
CF401 cart for
use with 27" tray



STANDARD FEATURES:

- A Roller Assembly
- B Ventilation Chamber
- C Heavy-Duty Casters with Total Lock System
- D G.F.C.I. Outlet
- E Ventilation Table Drain
- F Exhaust Vent Connection Remover
- G Line Cord with Hospital Grade Plug
- H Heavy-Duty Cart Frame
- I Full Length Tray Rinse
- J Includes JC101 Body Tray



CE100 Autopsy Table with Stationary Pedestal

1

2

3

4

5

6

7

8

9

10

11



The CE100 pedestal autopsy table features Mopec's downdraft ventilation system



CE100 shown with Portable Dissection Table (HE100)



Modified CE100 autopsy table

The CE100 Autopsy Table is a pedestal style table that incorporates all of the convenient features necessary to efficiently perform an autopsy. A standard feature of the CE100 table is Mopec's downdraft ventilation system which helps ventilate the body during an autopsy.

The hydro-aspirator is conveniently located near the sink basin for ease in collection and/or disposal of bodily fluids. Electrical receptacles are provided on both sides of the table. A hot and cold water faucet is provided with a single lever control and a vacuum breaker spout to safeguard the facility water supply. A deck mounted Hand Spray with a high pressure hose allows complete rinsing of the body or table with the press of a single lever. The autopsy table has an integrally constructed large sink and is creased toward the center for complete drainage.

CE100 Standard Features

Table Top: The table top is fabricated of 14 gauge type stainless steel with a #4 satin finish with built in large sink on one end.

Electrical: Two GFCI electrical receptacles with waterproof enclosures are positioned on each side of the pedestal.

Hydro-Aspirator: Hydro-Aspirator is located on the end of the table near the sink basin. The aspirator has a reversing valve to clear the aspirator of any foreign matter. The aspirator is designed to drain into the sink for collection or disposal and is completely plumbed with control valve, vacuum breaker and tubing.

Integral Construction: Integral sink to front panel construction eliminates sharp edges where bacteria can accumulate. All welded seamless construction provides durability.

Hand Spray: Deck mounted Hand Spray for convenient access. Chrome plated brass with high pressure hose. Concealed shut off valve located under table top.

Faucet: Swing spout faucet with vacuum breaker protection.

Pedestal: Table pedestal is fabricated of 18 gauge type stainless steel with a #4 satin finish.

Grid Plate: Grid plates are recessed 1/2" and are supported by the table's edge. Four independent grid plates are perforated and removable.

ISO: Quality Management System in compliance with ISO 9001:2008 and applies: Design, Engineering, Manufacturing and Installation of Equipment Distribution of Supplies for Morgue, Pathology, Histology and Necropsy Applications.

APPROVAL: TUV Listed & Certified: Tests to UL61010-1 :2004 standards in addition to CAN/CSA and NFPA standards. This listing covers the entire product as an entity and not just individual components.

CE100 Optional Features

BL800 Waste Disposal: Heavy-duty 1 HP disposal, complete with on/off switch, water solenoid, and vacuum breaker.

CO009 Autopsy Table Perimeter Rinse Assembly: The perimeter rinse is designed with a 1/2" diameter perforated tube encompassing the full inner perimeter of the pedestal style tables. While in use the perimeter rinse helps eliminate an accumulation of debris under the grid plates during an autopsy.

CO012 Replaceable Ruler Inch/Centimeter: Polypropylene ruler adheres to the edge of the table for easy specimen measuring.

CO017 Scale Stand Table Mounted: Table edge mounted scale support socket. The stand includes a support tube allowing the scale to swing and drain into the main sink.

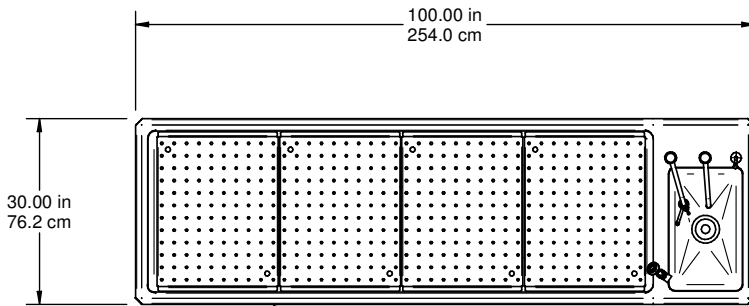
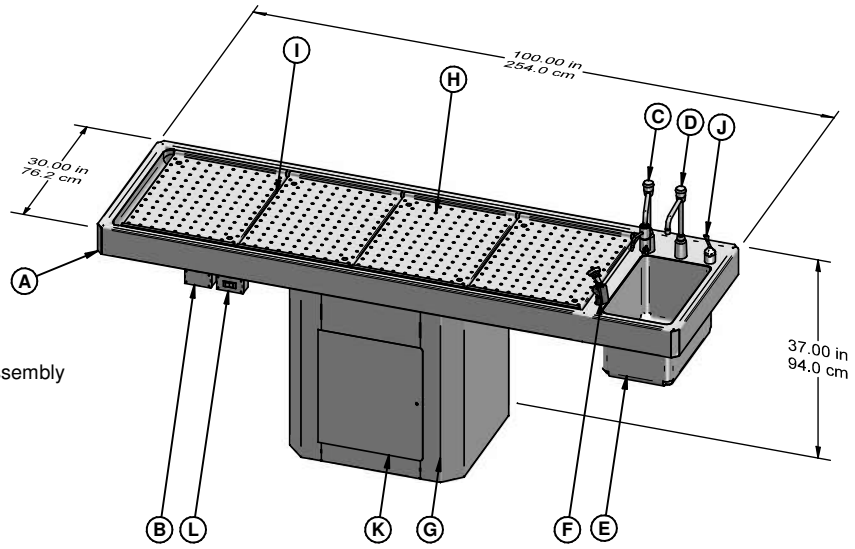
CE100 Autopsy Table with Stationary Pedestal

STANDARD FEATURES

- A Table Top
- B GFCI Electrical Outlet (2)
- C Hydro Aspirator
- D Fixture w/Swing Spout
- E Sink (20" x 12" x 12")
- F Hand Spray
- G Pedestal
- H Removable Grid Plates (4)
- I Down Draft Ventilation System
- J Mixing Valve
- K Access Panel
- L Main Circuit Breaker Switch

OPTIONAL FEATURES

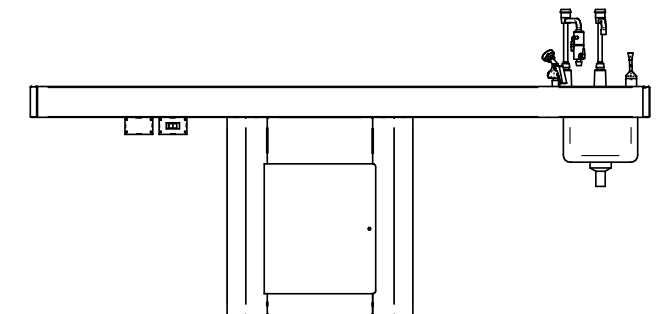
- CO009 Autopsy Table Perimeter Rinse Assembly
- CO012 Inch/Centimeter Scale
- CO017 Scale Stand Table Mount
- BL800 1 HP Disposal



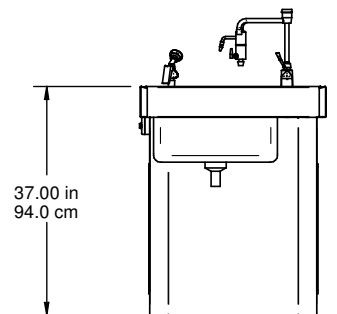
CE



UL 61010:2004
CAN/CSA-C22.2
NFPA 79-2002



FINISHED FLOOR



FINISHED FLOOR

1

2

3

4

5

6

7

8

9

10

11

CE200 Elevating Pedestal Autopsy Table

1

2

3

4

5

6

7

8

9

10

11



Meets ADA Requirement

The CE200 autopsy table is a pedestal style table that incorporates an elevating mechanism within the pedestal which consists of three main assemblies: 1) Electro-Mechanical Actuator, 2) Elevating Frame Work, and 3) Exterior Pedestal Housing. The CE200 is capable of lifting and lowering 8" using an electro mechanical actuator with a maximum lift capacity of 500 pounds.

A standard feature of the CE200 elevating table is Mopec's Downdraft Ventilation System, which helps ventilate the body during an autopsy. A hydro-aspirator is conveniently located near the large sink basin for ease in collection and/or disposal of fluids. Electrical receptacles are provided on both sides of the table. A hot and cold water faucet is provided with a single lever control and a vacuum breaker spout to safeguard the facility water supply. A deck mounted hand spray with a high pressure hose allows complete rinsing of the body or table with the press of a single lever.

CE200 Standard Features

Integral Sink: Integral sink to front panel construction eliminates sharp edges where bacteria can accumulate. All welded, seamless construction provides durability.

Electrical: Two GFCI electrical receptacles with waterproof enclosures. One, located on each side of the pedestal.

Hydro-Aspirator: Hydro-aspirator is located on the end of the table near the sink. The aspirator has a reversing valve to clear the aspirator of any foreign matter. The aspirator is designed to drain into the sink end for collection or disposal and is completely plumbed with control valve, vacuum breaker and tubing.

Hand Spray: Deck mounted Hand Spray for convenient access. Chrome plated brass with high pressure hose. Concealed shut off valve located under table top.

Faucet: Swing spout faucet with vacuum breaker protection.

Pedestal Assembly: Table pedestal is fabricated of 18 gauge stainless steel with a #4 satin finish. The pedestal consists of

three main assemblies: 1) Electro-Mechanical Actuator, 2) Elevating Frame Work Assembly and 3) Exterior Pedestal Housing. The elevating pedestal is a non-racking heavy-duty frame construction, capable of lifting and lowering 8" (20.32 cm) via an electro mechanical actuator, which is much quieter. The electro mechanical actuator is capable of lifting a maximum capacity of 500 lbs.

Grid Plates: Grid plates are recessed 1/2" and supported by the table edge. Four independent, removable grid plates are perforated and interchangeable.

ISO: Quality Management System in compliance with ISO 9001:2008 and applies: Design, Engineering, Manufacturing and Installation of Equipment Distribution of Supplies for Morgue, Pathology, Histology and Necropsy Applications.

APPROVAL: TUV Listed & Certified: Tests to UL61010-1 :2004 standards in addition to CAN/CSA and NFPA standards. This listing covers the entire product as an entity and not just individual components.

CE200 Optional Features

BL800 Waste Disposal: Heavy-duty 1 HP disposal, complete with on/off switch, water solenoid, and vacuum breaker.

CO009 Autopsy Table Perimeter Rinse Assembly: The perimeter rinse is designed with a 1/2" diameter perforated tube encompassing the full inner perimeter of the pedestal style tables. While in use the perimeter rinse helps eliminate an accumulation of debris under the grid plates during an autopsy.

CO012 Replaceable Ruler Inch/Centimeter: Long wearing ruler adheres to edge of the table. Can be peeled off and replaced when needed.

CO017 Scale Stand Table Mounted: Table edge mounted scale support socket. The stand includes a support tube allowing the scale to swing and drain into the main sink.

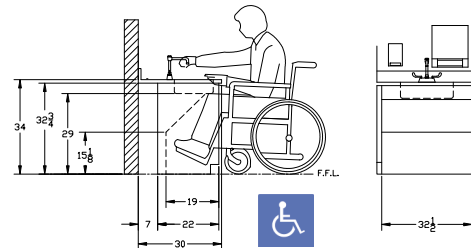
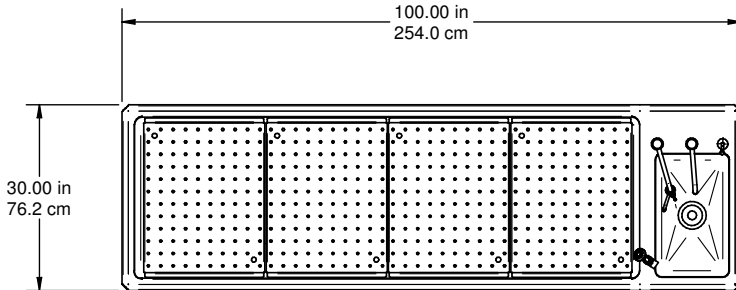
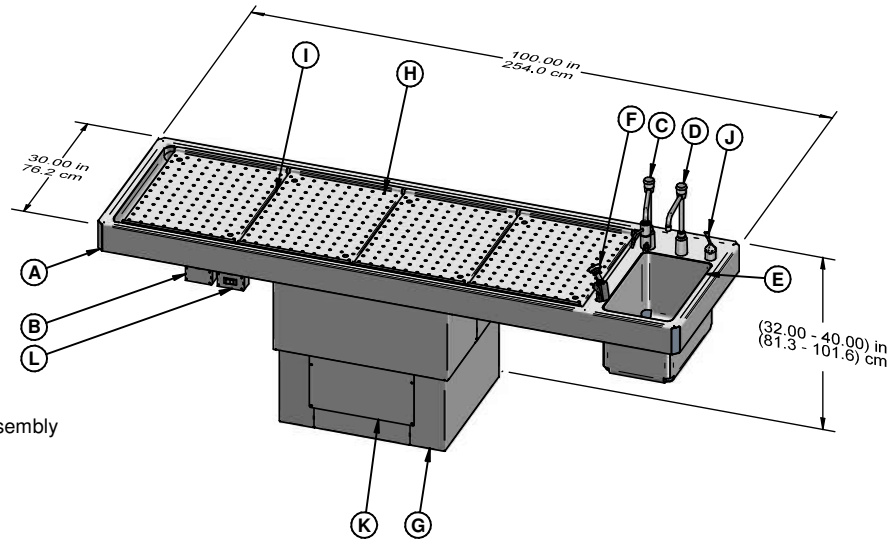
CE200 Autopsy Elevating Pedestal Table

STANDARD FEATURES

- A Table Top
- B GFCI Electrical Outlet (2)
- C Hydro Aspirator
- D Fixture w/Swing Spout
- E Sink – 20" x 12" x 12"
- F Hand Spray
- G Pedestal
- H Removable Grid Plates (4)
- I Down Draft Ventilation System
- J Mixing Valve
- K Access Panel
- L Main Circuit Breaker Switch

OPTIONAL FEATURES

- CO009 Autopsy Table Perimeter Rinse Assembly
- CO017 Scale Stand Table Mount
- BL800 1 HP Disposal



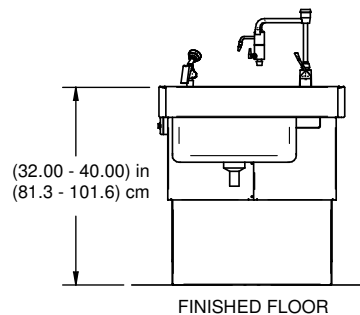
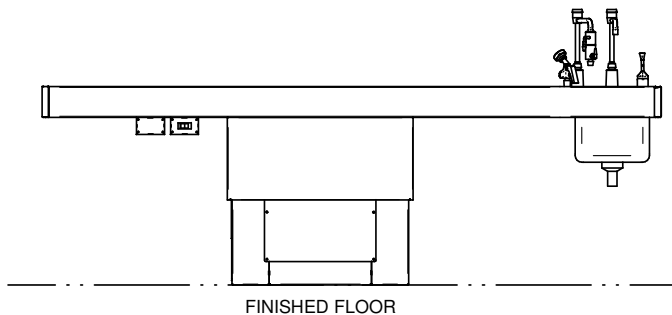
ADA Compliant



UL 61010:2004

CAN/CSA-C22.2

NFPA 79-2002



1

2

3

4

5

6

7

8

9

10

11

CE210 Elevating Bariatric Autopsy Table

1

2

3

4

5



Meets ADA Requirement

6

The CE210 bariatric autopsy table is a pedestal style table that elevates with a conveniently located switch. The CE210 is extra wide, a full 40" wide, and can hold up to 1000 pounds. This table can accommodate your biggest bariatric patients. A standard feature of the CE210 elevating table is Mopec's Downdraft Ventilation System, which helps ventilate the body during an autopsy. A hydro-aspirator is conveniently located near the large, creased sink basin for ease in collection and/or disposal of fluids. Electrical receptacles are provided on both sides of the table. A hot and cold water faucet is provided with a single lever control and a vacuum breaker to safeguard the facility water supply. A deck mounted hand spray with a high pressure hose allows complete rinsing of the body or table with the press of a single lever.

7

8

9

CE210 Standard Features

Electrical: Two GFCI duplex electrical receptacles with water resistant covers. One, located on each side of the pedestal.

Integral Sink: Integral sink to front panel construction eliminates sharp eaves and ledges where bacteria can accumulate. All welded, seamless construction provides durability.

Hydro-Aspirator: Located on the end of the table near the sink. The hydro-aspirator has a reversing valve to clear the aspirator of any foreign matter. The aspirator is designed to drain into the sink end for collection or disposal and is completely plumbed with control valve, vacuum breaker and tubing.

Hand Spray: Deck mounted hand spray for convenience. Chrome plated brass with high pressure hose. Concealed shut off valve under table top.

Faucet: Swing spout faucet with vacuum breaker protection.

Pedestal Assembly: The pedestal consists of three main assemblies: 1) Electro-Mechanical Actuator, 2) Scissor Lift Stabilizer

and 3) Exterior Pedestal Housing. The elevating pedestal is non-racking, heavy-duty frame construction, capable of lifting and lowering 8" via the electro-mechanical actuator, which is a much quieter and more sanitary elevating mechanism than the standard hydraulic. The piston system electro-mechanical actuator is capable of lifting a maximum capacity of 1,000 lbs.

Grid Plates: Four removable grid plates are recessed 1/2" and supported by the table edge without pins.

ISO: Quality Management System in compliance with ISO 9001:2008 and applies: Design, Engineering, Manufacturing and Installation of Equipment Distribution of Supplies for Morgue, Pathology, Histology and Necropsy Applications.

APPROVAL: TUV Listed & Certified: Tests to UL61010-1 :2004 standards in addition to CAN/CSA and NFPA standards. This listing covers the entire product as an entity and not just individual components.

CE210 Optional Features

BL800 Waste Disposal: Heavy-duty 1 HP disposal, complete with on/off switch, water solenoid, and vacuum breaker.

CO009 Autopsy Table Perimeter Rinse Assembly: The perimeter rinse is designed with a 1/2" diameter perforated tube encompassing the full inner perimeter of the pedestal style tables. While in use the perimeter rinse helps eliminate an accumulation of debris under the grid plates during an autopsy.

CO012 Replaceable Ruler Inch/Centimeter: Long wearing ruler adheres to edge of the table. Can be peeled off and replaced when needed.

CO017 Scale Stand Table Mounted: Table edge mounted scale support socket located on the sink end of the autopsy table. The stand includes a support tube allowing the scale to swing and drain into the main sink.

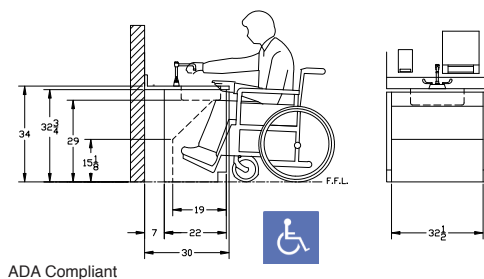
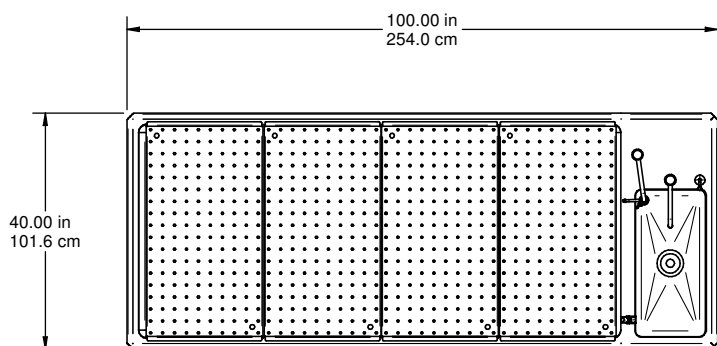
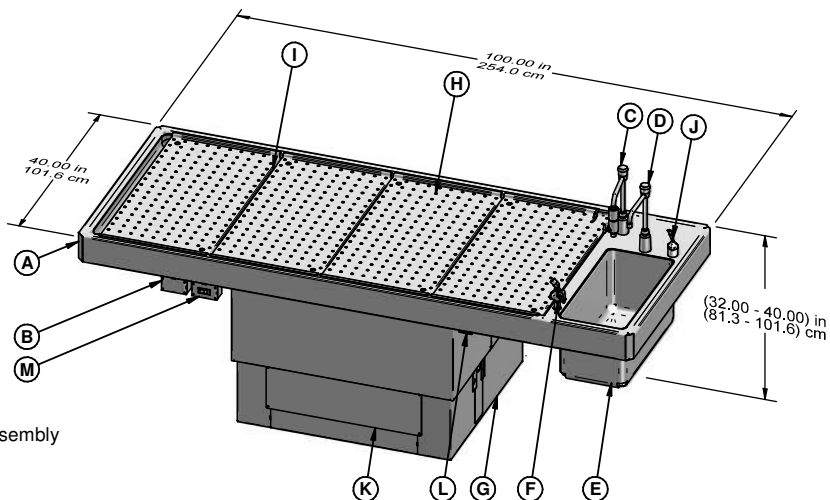
CE210 Elevating Bariatric Autopsy Table

STANDARD FEATURES

- A Table Top
- B GFCI Electrical Outlet (2)
- C Hydro Aspirator
- D Fixture w/Swing Spout
- E Sink (25" x 12" x 12")
- F Hand Spray
- G Elevating Pedestal
- H Removable Grid Plates (4)
- I Down Draft Ventilation System
- J Mixing Valve
- K Access Panel
- L Elevation Switch
- M Main Circuit Breaker Switch

OPTIONAL FEATURES

- CO009 Autopsy Table Perimeter Rinse Assembly
- CO012 Inch/Centimeter Scale
- CO017 Scale Stand Table Mount
- BL800 1 HP Disposal



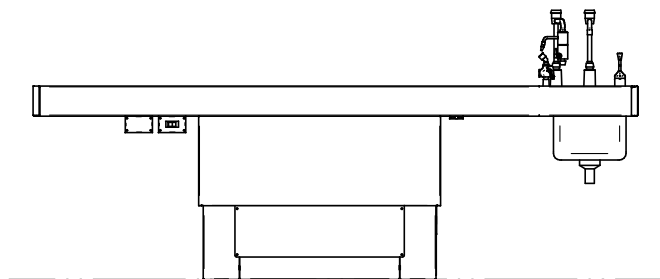
ADA Compliant



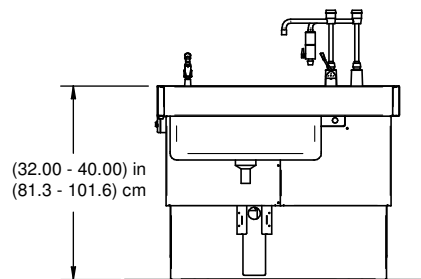
UL 61010:2004

CAN/CSA-C22.2

NFPA 79-2002



FINISHED FLOOR



FINISHED FLOOR



CE300 Rotating Autopsy Table Pedestal

1

2

3

4

5

6

7

8

9

10

11



CE300 shown with optional disposal

The CE300 autopsy table rotates 180° and is a pedestal design that includes all the convenient features to perform an autopsy. The CE300 autopsy table is designed for autopsy suites with limited space or unique construction requirements. A standard design feature of the CE300 autopsy table is Mopec's Downdraft Ventilation System.

A hydro-aspirator is conveniently located near the sink basin for ease in collection and/or disposal of bodily fluids.

Electrical receptacles are provided on both sides of the table. A hot and cold water faucet is provided with a single lever control and a vacuum breaker to safeguard facility water supply. A deck mounted Hand Spray with a high pressure hose allows complete rinsing of the body or table with a press of a single lever. The autopsy table has an integrally constructed large sink and is creased toward the center for complete drainage. Weight capacity is 750 pounds.

CE300 Standard Features

Table Top: The table top is fabricated of 14 gauge stainless steel with a #4 satin finish with built in large sink on one end.

Electrical: Two GFCI duplex electrical receptacles with water resistant covers are positioned on each side of the pedestal.

Hydro-Aspirator: Located on the end of the table near the sink, the aspirator is provided with a reversing valve to clear the aspirator of any foreign matter. The aspirator is designed to drain into the sink for collection or disposal and is completely plumbed with control valve, vacuum breaker and tubing.

Pedestal: Table pedestal is fabricated of 11 gauge type 304 stainless steel with a #4 satin finish.

Integral Sink: Integral sink to front panel construction eliminates sharp edges where bacteria can accumulate. All welded seamless construction provides durability.

Hand Spray: Deck mounted Hand Spray for convenience. Chrome plated brass with high pressure hose. Concealed shut off valve located under table top.

Faucet: Swing spout faucet with vacuum breaker protection.

Grid Plates: Four removable grid plates are recessed 1/2" and supported by the table edge without pins.

ISO: Quality Management System in compliance with ISO 9001:2008 and applies: Design, Engineering, Manufacturing and Installation of Equipment Distribution of Supplies for Morgue, Pathology, Histology and Necropsy Applications.

APPROVAL: TUV Listed & Certified: Tests to UL61010-1 :2004 standards in addition to CAN/CSA and NFPA standards. This listing covers the entire product as an entity and not just individual components.

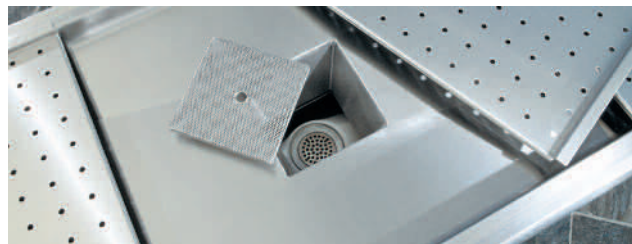
CE300 Optional Features

BL800 Waste Disposal: Heavy-duty 1 HP disposal, complete with on/off switch, water solenoid, and vacuum breaker.

CO009 Autopsy Table Perimeter Rinse Assembly: The perimeter rinse is designed with a 1/2" diameter perforated tube encompassing the full inner perimeter of the pedestal style tables. While in use the perimeter rinse helps eliminate an accumulation of debris under the grid plates during an autopsy.

CO012 Replaceable Ruler Inch/Centimeter: Long wearing ruler adheres to edge of the table. Can be peeled off and replaced when needed.

CO017 Scale Stand Table Mounted: Table edge mounted scale support socket. The stand includes a support tube allowing the scale to swing and drain into the main sink.



Features Downdraft Ventilation

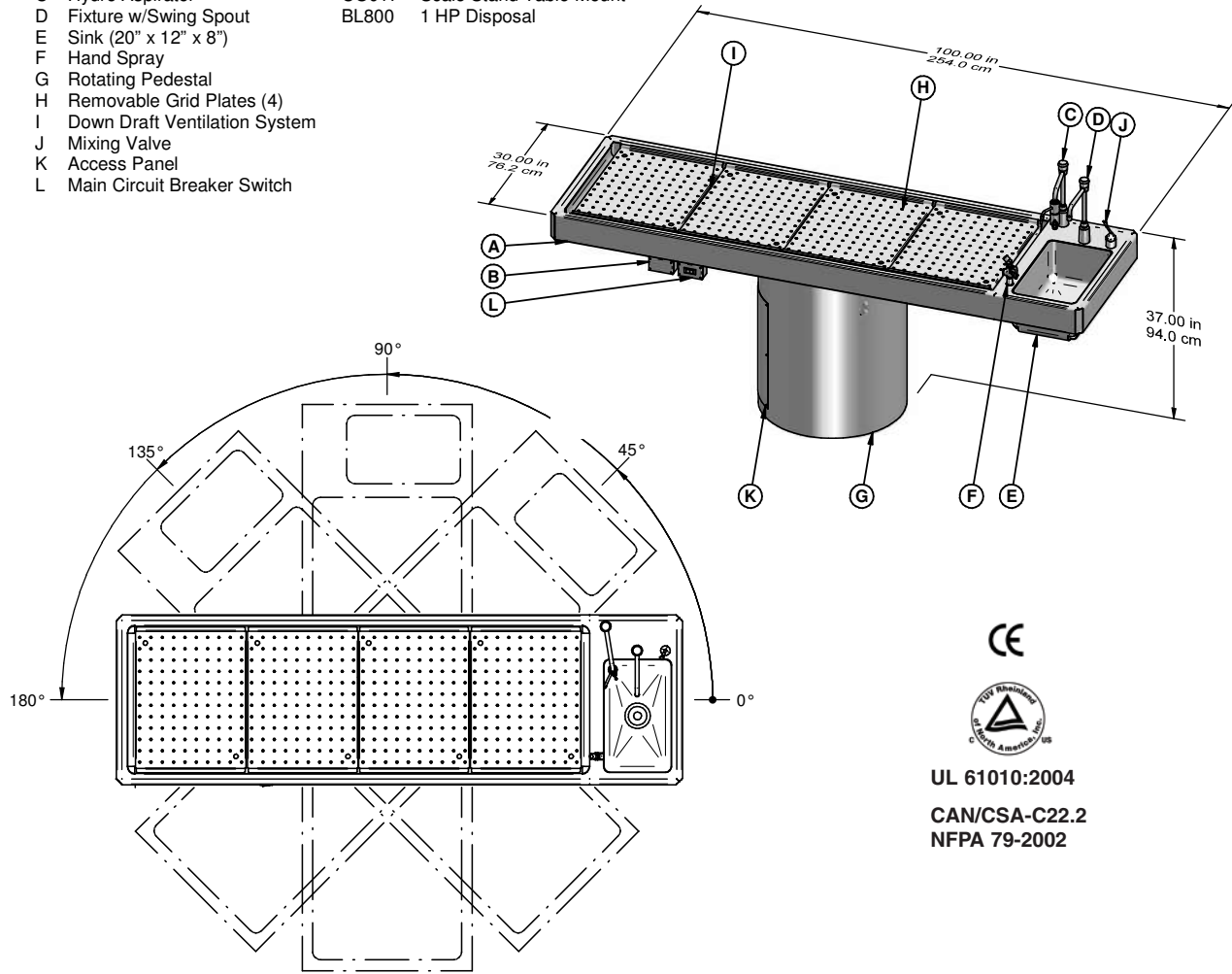
CE300 Rotating Autopsy Table Pedestal

STANDARD FEATURES

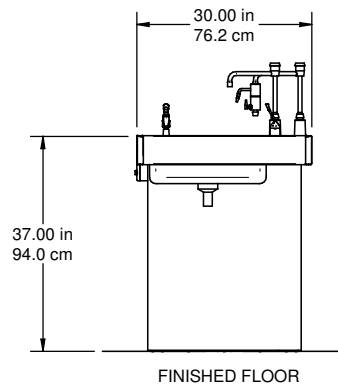
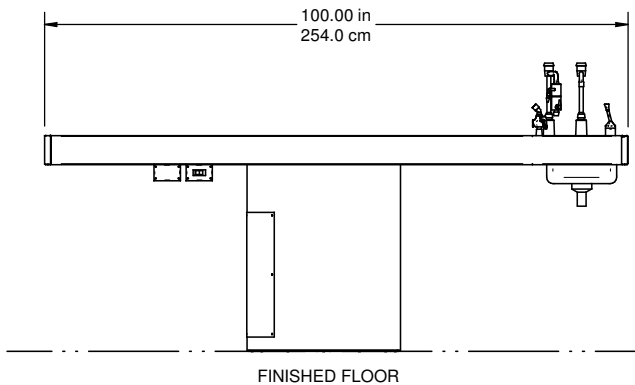
- A Table Top
- B GFCI Electrical Outlet (2)
- C Hydro Aspirator
- D Fixture w/Swing Spout
- E Sink (20" x 12" x 8")
- F Hand Spray
- G Rotating Pedestal
- H Removable Grid Plates (4)
- I Down Draft Ventilation System
- J Mixing Valve
- K Access Panel
- L Main Circuit Breaker Switch

OPTIONAL FEATURES

- CO009 Autopsy Table Perimeter Rinse Assembly
- CO012 Inch/Centimeter Scale
- CO017 Scale Stand Table Mount
- BL800 1 HP Disposal



UL 61010:2004
CAN/CSA-C22.2
NFPA 79-2002



CE310 Rotating and Elevating Autopsy Table

1

2

3

4

5

6

7

8

9

10

11



The CE310 autopsy table is a pedestal style table that incorporates an elevating and rotating mechanism within the pedestal. A standard feature of the CE310 elevating table is Mopec's Downdraft Ventilation System, which helps ventilate the body during an autopsy.

A hydro-aspirator is conveniently located near the sink basin for ease in collection and/or disposal of bodily fluids. Electrical receptacles are provided on both sides of the table. A hot and cold water faucet is provided with a single lever control and a vacuum breaker to safeguard the facility water supply. A deck mounted Hand Spray with a high pressure hose allows complete rinsing of the body or table with the press of a single lever. The autopsy table has an integrally constructed large sink and is creased toward the center for complete drainage. A stainless steel roller bearing carousel allows the table to lock at rotations of 0°, 90° and 180°.

The elevating pedestal consists of an Electro-Mechanical Actuator. The elevating pedestal is capable of lifting and lowering 8" (from 32" - 40"). Maximum capacity is 750 pounds.

CE310 Standard Features

Table Top: The table top is fabricated of 14 gauge stainless steel with a #4 satin finish with built in large sink on one end.

Electrical: Two GFCI duplex electrical receptacles with water resistant covers are positioned on each side of the pedestal.

Integral Sink: Integral sink to front panel construction eliminates sharp edges where harmful bacteria can accumulate. All welded, seamless construction provides durability.

Hand Spray: Deck mounted hand spray for convenience. Chrome plated brass with high pressure hose. Concealed shut off valve located under table top.

Hydro-Aspirator: Hydro-aspirator is located on the end of the table near the sink. The aspirator has a reversing valve to clear the aspirator of any foreign matter. The aspirator is designed to drain into the sink end for collection or disposal and is completely plumbed with control valve, vacuum breaker and tubing.

Faucet: Swing spout faucet with vacuum breaker protection.

Pedestal Assembly: The pedestal consists of two main assemblies: 1) Electro-Mechanical Actuator, 2) Exterior Pedestal Housing. The elevating pedestal is capable of lifting and lowering 8" via an electro mechanical actuator. The electro mechanical actuator is capable of lifting a maximum capacity of 750 lbs. Table pedestal is fabricated of 11 gauge stainless steel with a #4 satin finish.

Grid Plates: Grid plates are recessed 1/2" and supported by the table edge without pins. Four independent grid plates are perforated and removable.

ISO: Quality Management System in compliance with ISO 9001:2008 and applies: Design, Engineering, Manufacturing and Installation of Equipment Distribution of Supplies for Morgue, Pathology, Histology and Necropsy Applications.

APPROVAL: TUV Listed & Certified: Tests to UL61010-1 :2004 standards in addition to CAN/CSA and NFPA standards. This listing covers the entire product as an entity and not just individual components.

CE310 Optional Features

BL800 Waste Disposal: Heavy-duty 1 HP disposal, complete with on/off switch, water solenoid, and vacuum breaker.

CO009 Autopsy Table Perimeter Rinse Assembly: The perimeter rinse is designed with a 1/2" diameter perforated tube encompassing the full inner perimeter of the pedestal style tables. While in use the perimeter rinse helps eliminate an accumulation of debris under the grid plates during an autopsy.

CO012 Replaceable Ruler Inch/Centimeter: Long wearing ruler adheres to edge of the table. Can be peeled off and replaced when needed.

CO017 Scale Stand Table Mounted: Table edge mounted scale support socket located on the sink end of the autopsy table. The stand includes a support tube allowing the scale to swing and drain into the main sink.



Meets ADA Requirement

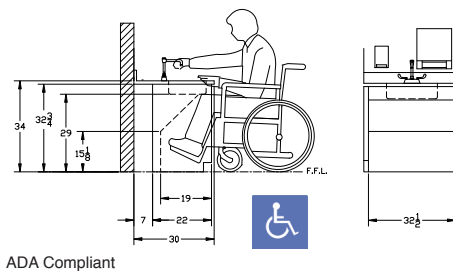
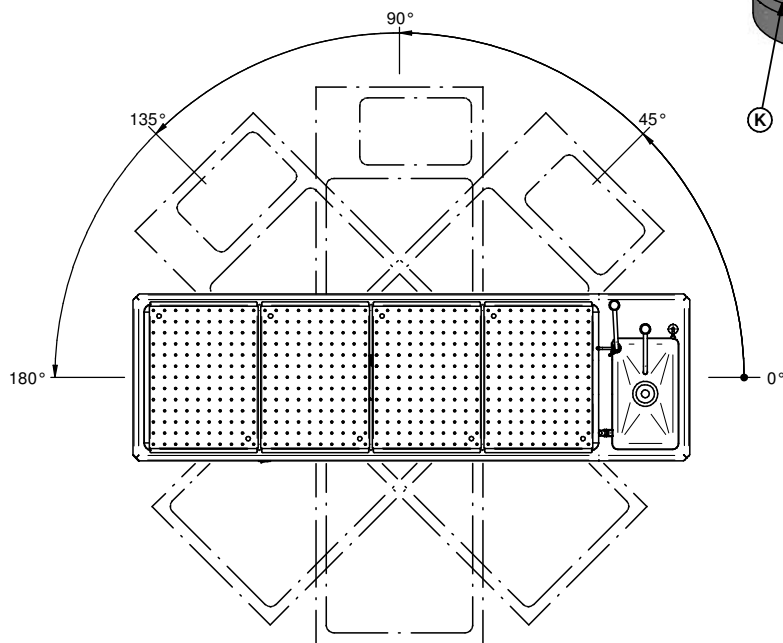
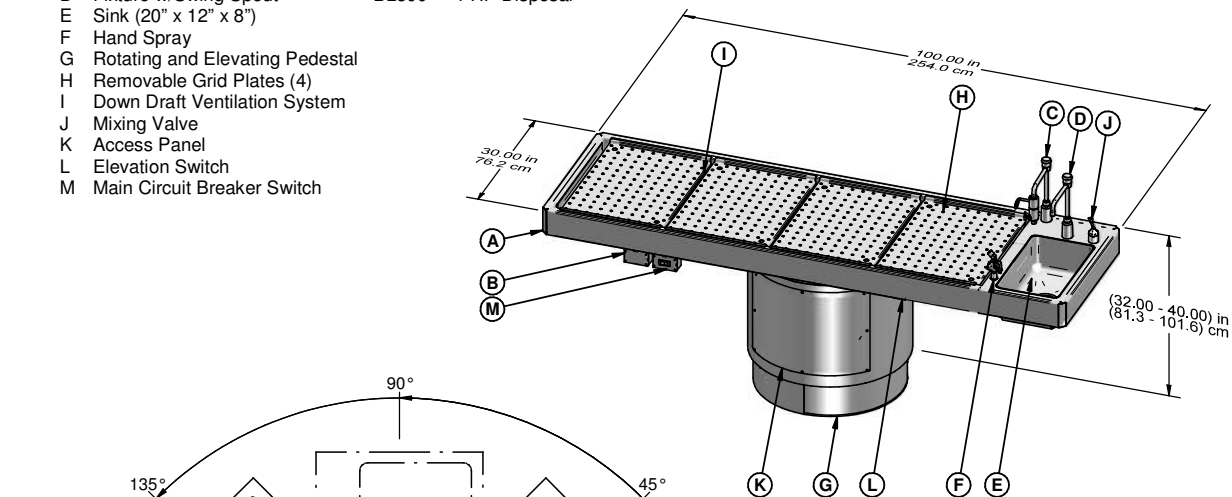
CE310 Rotating and Elevating Autopsy Table

STANDARD FEATURES

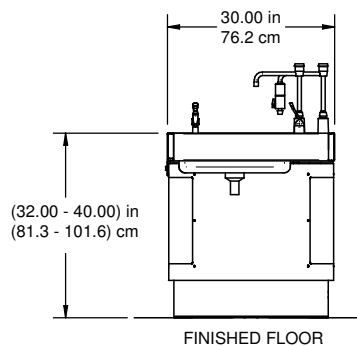
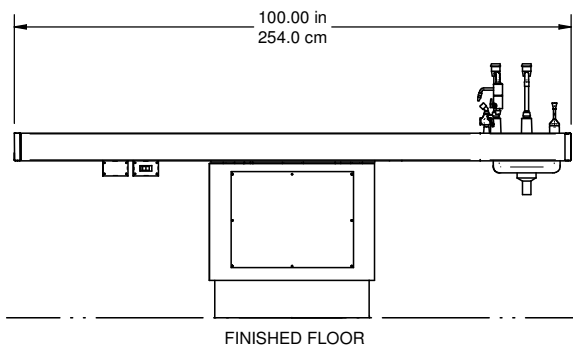
- A Table Top
- B GFCI Electrical Outlet (2)
- C Hydro Aspirator
- D Fixture w/Swing Spout
- E Sink (20" x 12" x 8")
- F Hand Spray
- G Rotating and Elevating Pedestal
- H Removable Grid Plates (4)
- I Down Draft Ventilation System
- J Mixing Valve
- K Access Panel
- L Elevation Switch
- M Main Circuit Breaker Switch

OPTIONAL FEATURES

- CO009 Autopsy Table Perimeter Rinse Assembly
- CO012 Inch/Centimeter Scale
- CO017 Scale Stand Table Mount
- BL800 1 HP Disposal



UL 61010:2004
CAN/CSA-C22.2
NFPA 79-2002



CE340 (Windsor) Autopsy Table

1

2

3

4

5

6

7

8

9

10

11



The CE340, Windsor Autopsy table offers a flat creased work surface with no obstructions. The contour raised perimeter edge is designed to divert the fluids to the waste drain. A body spray hose aids in the disposal of fluids. The table top edge is rounded for effortless cleaning and allows easy body placement and removal. Weight capacity of 700 pounds (318.18 kg, 50 stone).

CE340 Standard Features

Body Spray Hose: The hot and cold water spray hose is conveniently located under the work surface for accessibility. The extra long high pressure hose allows complete rinsing of the table. The spray hose is fabricated of chrome-plated brass along with a single lever mixing valve.

Table Top: Top is made of 14 gauge stainless steel with a #4 satin finish.

CE340 Optional Features

CO030 Elevation - Electrical mechanism lift allows the table to elevate from 34" (86.3 cm) to 42" (106.6 cm).

CO031 Elevation/Rotating - Allows table to elevate 34" (86.3 cm) to 42" (106.6 cm) and rotate 180°. Rotation not sold independently of elevation - option includes both features

CO032 Electrical Outlet - Watertight GFCI receptacle box.

CO033 Deep Sink - Deep sink measuring 20" L (50.8 cm) x 12" (30.48 cm) W x 7" D (17.78 cm). Complete with two (2) each faucets with wristblade handles and aspirator. Aspirator only available if deep sink option is ordered.

NOTE: When this option is ordered, the length of the table will increase an extra 10" (25.4 cm) in length to 100" (254 cm).

BL750 Disposal - 3/4 HP 230 volts/50 hz/1ph. Disposal does not include vacuum breaker.

BL800 Waste Disposal: Heavy-duty 1 HP 115 volts/60 hz/1ph disposal, complete with on/off switch, water solenoid, and vacuum breaker.

ISO: Quality Management System in compliance with ISO 9001:2008 and applies: Design, Engineering, Manufacturing and Installation of Equipment Distribution of Supplies for Morgue, Pathology, Histology and Necropsy Applications.

CE340 Optional Features



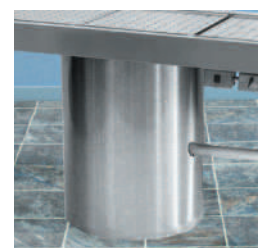
Disposal BL750



Deep Sink CO003



GFCI Electrical outlet CO032



Elevation/Rotation CO031

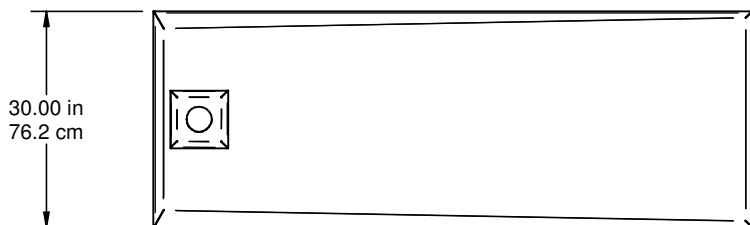
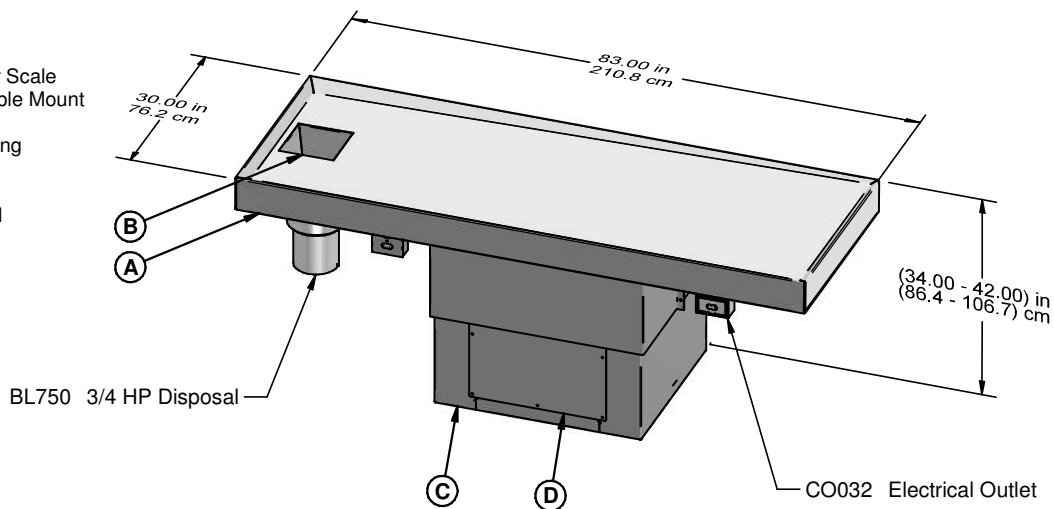
CE340 (Windsor) Autopsy Table

STANDARD FEATURES

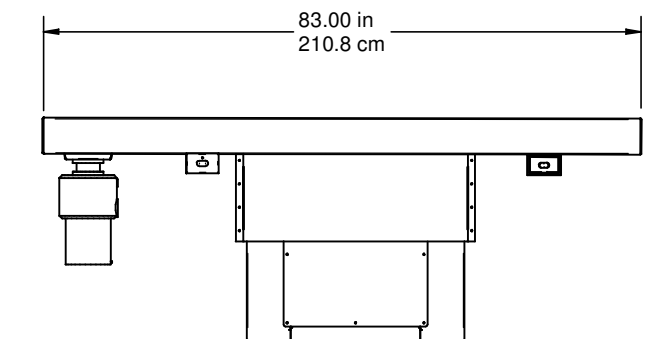
- A Sloped Table Top
- B Waste Drain
- C Pedestal
- D Access Panel

OPTIONAL FEATURES

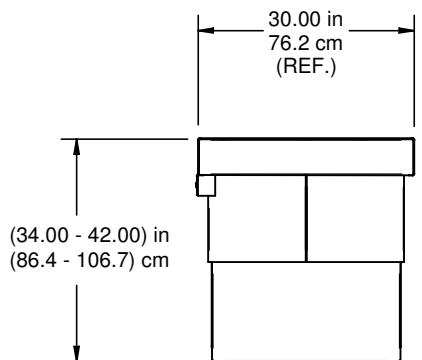
- CO012 Inch/Centimeter Scale
- CO017 Scale Stand Table Mount
- CO030 Elevation
- CO031 Elevation/Rotating
- CO032 Electrical Outlet
- CO033 Deep Sink
- BL750 3/4 HP Disposal



UL 61010:2004
CAN/CSA-C22.2
NFPA 79-2002



FINISHED FLOOR



FINISHED FLOOR



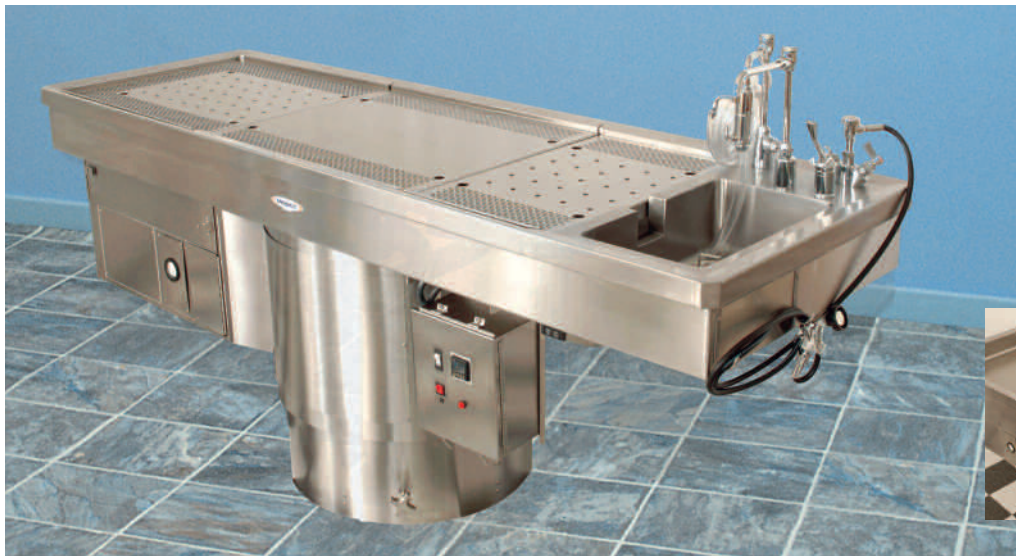
CE350 (Salisbury) Downdraft Autopsy Table

1

2

3

4



CE350 shown with optional elevation, deep sink, electrical outlet and filtration device.



Top View

5

6

Mopec is proud to offer a unique innovative pedestal style Downdraft Autopsy Table. As a standard feature, the downdraft ventilation system greatly reduces harmful fumes from the work area. This highly efficient downdraft table will make for a safer and more pleasant work environment. The optional Filtration Device provides an additional level of removing harmful fumes. The filtration option should be considered if your facility has limited or no ventilation/air handling system available. The filters are quick and easy to replace as shown. The CE350 has a weight capacity of 700 pounds (318.18 kg, 50 stone).

CE350 Standard Features

Unique Airflow Body Grid Plates: The perforated body grid plates are engineered to maximize the downdraft airflow. The heavy-duty construction allows for heavier bodies.

Body Spray Hose: The hot and cold water spray hose is conveniently located under the work surface for accessibility. The extra long high pressure hose allows complete rinsing of the table. The spray hose is fabricated of chrome-plated brass along with a single lever mixing valve.

Table Top: Top is made of 14 gauge stainless steel with a #4 satin finish.

CE350 Optional Features

CO030 Elevation - Electrical mechanism lift allows the table to elevate from 34" (86.3 cm) to 42" (106.6 cm).

CO031 Elevation/Rotating: Allows table to elevate 34" (86.3 cm) to 42" (106.6 cm) and rotate 180°. Rotation not sold independently of elevation - option includes both

CO032 Electrical Outlet: Watertight GFCI receptacle box.

CO033 Deep Sink: Extra deep sink measuring 20" L (50.8 cm) x 12" (30.48 cm) W x 7" (17.78 cm) D. Complete with two (2) each faucets with wristblade handles and aspirator. Aspirator only available if deep sink option is ordered.

NOTE: When this option is ordered, the length of the table will increase an extra 10" (25.4 cm) in length to 100" (254 cm).

CO034 Filtration System: Filtration system for particle and fume extraction. Easy access for filter replacement. System includes (1) Particle Filter, (1) Combination charcoal/potassium permanganate filter and (1) High Efficiency filter. (See replacement numbers)

BL750 Disposal - 3/4 HP 230 volts/50 hz/1ph. Disposal does not come with vacuum breaker.

BL800 Waste Disposal: Heavy-duty 1 HP 115 volts/60 hz/1ph disposal, complete with on/off switch, water solenoid, and vacuum breaker.

ISO: Quality Management System in compliance with ISO 9001:2008 and applies: Design, Engineering, Manufacturing and Installation of Equipment Distribution of Supplies for Morgue, Pathology, Histology and Necropsy Applications.

Replacement Filters



BF017 - Particle filter



BF014 - Charcoal/potassium permanganate combination filter



BF018 - High Efficiency Filter

7

8

9

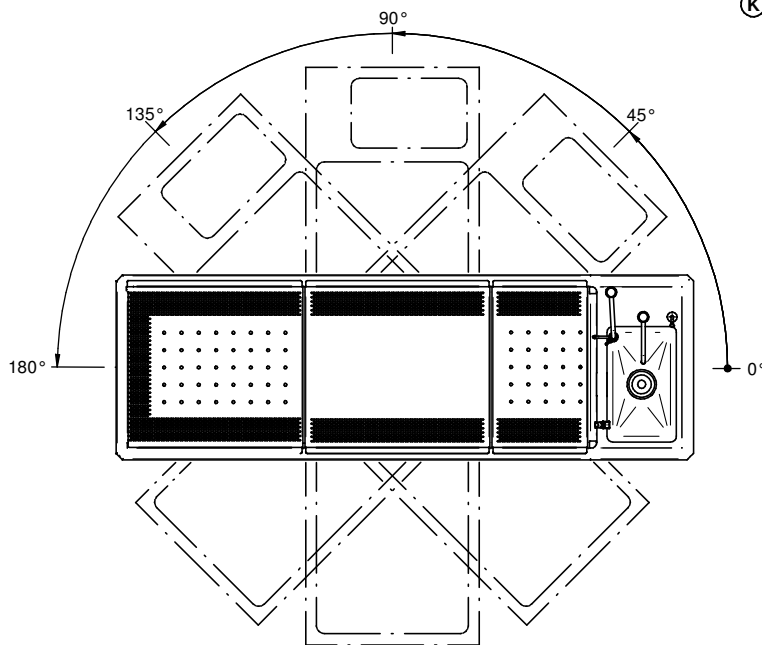
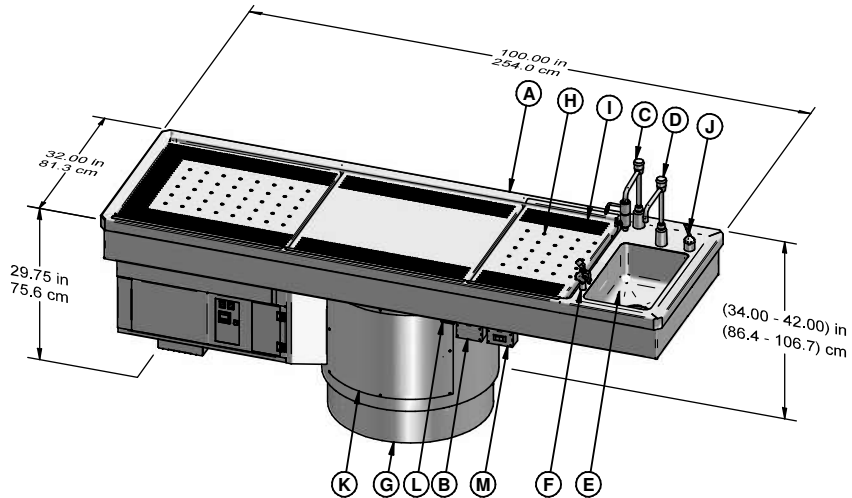
10

11

CE350 (Salisbury) Downdraft Autopsy Table

STANDARD FEATURES

- A Table Top
- B GFCI Electrical Outlet (2)
- C Hydro Aspirator
- D Fixture w/Swing Spout
- E Sink (20" x 12" x 7")
- F Hand Spray
- G Pedestal
- H Removable Grid Plates (3)
- I High-Flow Down Draft Ventilation System
- J Mixing Valve
- K Access Panel
- L Elevation Switch
- M Main Circuit Breaker Switch

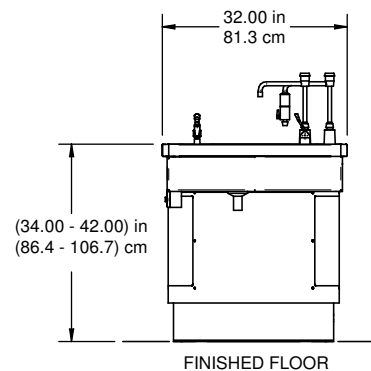
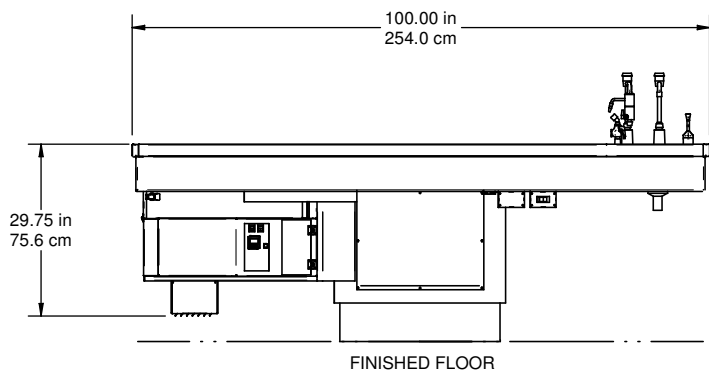


OPTIONAL FEATURES

- CO009 Autopsy Table Perimeter Rinse Assembly
- CO012 Inch/Centimeter Scale
- CO017 Scale Stand Table Mount
- CO030 Elevation
- CO031 Elevation/Rotating
- CO032 Electrical Outlet
- CO033 Deep Sink
- CO034 HEPA Filter
- BL750 3/4 HP Disposal



UL 61010:2004
CAN/CSA-C22.2
NFPA 79-2002



CE400 Short Autopsy Pedestal Table

1

2

3

4

5

6

7

8

9

10

11



The CE400 Autopsy Table is a pedestal style table that includes all of the features necessary to efficiently complete an autopsy. Shorter in length the CE400 is ideal for pediatric autopsies. Unit includes Mopec's standard downdraft ventilation system.

A hydro-aspirator is conveniently located near the sink basin for ease in collection and/or disposal of fluids. Electrical receptacles are provided on both sides of the table to access power on either side. A hand spray with a high pressure hose allows complete rinsing of the body or table with the press of a lever. The autopsy table has an integrally constructed sink and is creased toward the center for complete fluid drainage. A sink is located under the removable grid plates.

CE400 Standard Features

Table Top: The table top is fabricated of 14 gauge stainless steel with a #4 satin finish with built in large sink on one end.

Faucet: Swing spout faucet with vacuum breaker protection.

Hand Spray: Hand Spray has chrome plated brass with a high pressure hose.

Hydro-Aspirator: Located on the end of the table near the sink basin. The aspirator has a reversing valve to clear the aspirator of any foreign matter. The aspirator is designed to drain into the sink for collection or disposal and is completely plumbed with control valve, vacuum breaker and tubing.

CE400 Optional Features

BL800 Waste Disposal: Heavy-duty 1 HP disposal, complete with on/off switch, water solenoid, and vacuum breaker.

CO009 Autopsy Table Perimeter Rinse Assembly: The perimeter rinse is designed with a 1/2" diameter perforated tube encompassing the full inner perimeter of the pedestal style tables. While in use the perimeter rinse helps eliminate an accumulation of debris under the grid plates during an autopsy.

CO012 Replaceable Ruler, Inch/Centimeter: Long wearing ruler adheres to edge of the table. Can be peeled off and replaced when needed.

CO017 Scale Stand Table Mounted: Table edge mounted scale support socket. The stand includes a support tube allowing the scale to swing and drain into the main sink.

ISO: Quality Management System in compliance with ISO 9001:2008 and applies: Design, Engineering, Manufacturing and Installation of Equipment Distribution of Supplies for Morgue, Pathology, Histology and Necropsy Applications.

APPROVAL: TUV Listed & Certified: Tests to UL61010-1 :2004 standards in addition to CAN/CSA and NFPA standards. This listing covers the entire product as an entity and not just individual components.

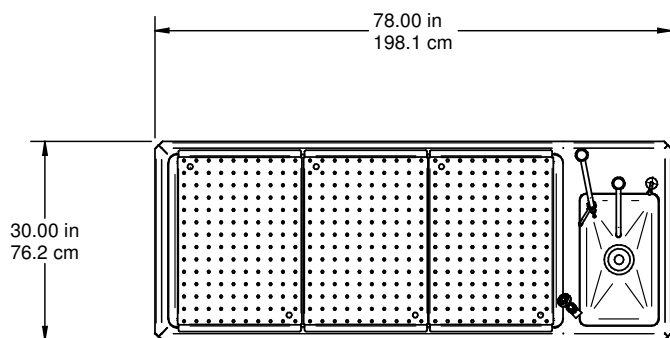
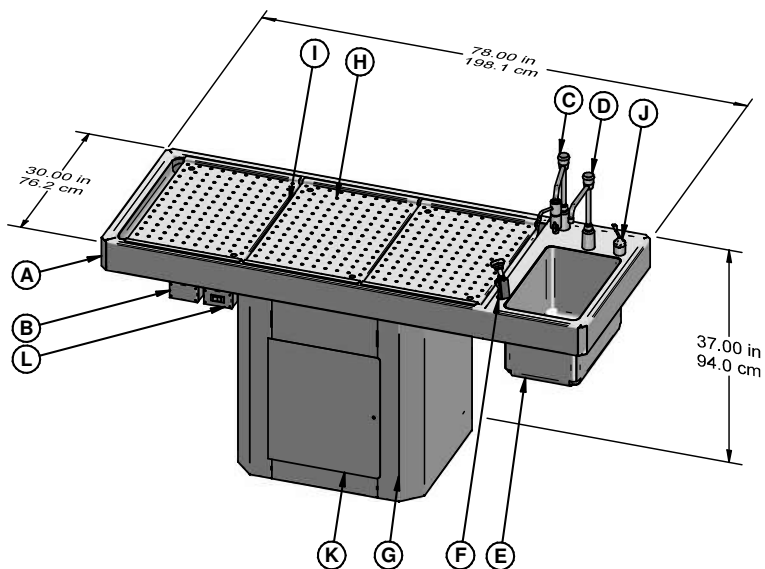
CE400 Short Autopsy Pedestal Table

STANDARD FEATURES

- A Table Top
- B GFCI Electrical Outlet (2)
- C Hydro Aspirator
- D Fixture w/Swing Spout
- E Sink (20" x 12" x 12")
- F Hand Spray
- G Pedestal
- H Removable Grid Plates (3)
- I Down Draft Ventilation System
- J Mixing Valve
- K Access Panel
- L Main Circuit Breaker Switch

OPTIONAL FEATURES

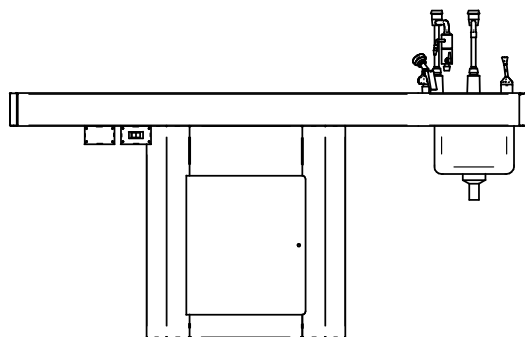
- CO009 Autopsy Table Perimeter Rinse Assembly
- CO012 Inch/Centimeter Scale
- CO017 Scale Stand Table Mount
- BL800 1 HP Disposal



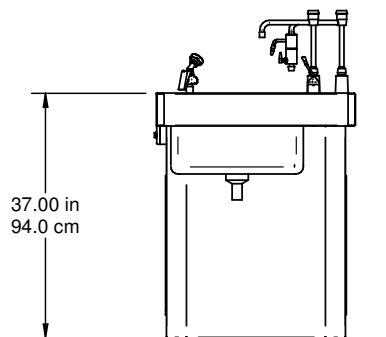
CE



UL 61010:2004
CAN/CSA-C22.2
NFPA 79-2002



FINISHED FLOOR



37.00 in
94.0 cm

FINISHED FLOOR



CE500 (Non-Vented) Autopsy Table with Leg Frame

1

2

3

4

5

6

7

8

9

10

11



CE500 shown with scale stand (CO017) and autopsy scale (BB002)

The CE500 Autopsy Table has an integrally constructed large non vented sink with leg frame which is creased toward the drain basin for complete and easy fluid drainage.

This CE500 autopsy table is an economical autopsy table that includes all the convenient features necessary to efficiently perform an autopsy. The CE500 has an open frame design. With this style, the downdraft cone is not utilized and is unavailable. Standard features include a hydro-aspirator, a deck mounted hand spray, a hot/cold water fixture, two waterproof electrical receptacles, a deep sink and grid plates.

The table frame is welded construction and fabricated of 1-5/8" (4 cm) stainless steel tubing with #4 satin finish.

CE500 Standard Features

Table Top: The table top is fabricated of 14 gauge stainless steel with a #4 satin finish with built in large sink on one end.

Electrical: Two GFCI duplex electrical receptacles with water resistant covers are included.

Hydro-Aspirator: Located on the end of the table near the sink basin. The aspirator has a reversing valve to clear the aspirator of any foreign matter. The aspirator is designed to drain into the sink for collection or disposal of fluids and is completely plumbed with control valve, vacuum breaker and tubing.

Faucet: Swing spout faucet with vacuum breaker protection.

Integral Sink: Construction eliminates sharp edges where bacteria can accumulate. All welded seamless construction provides durability.

Grid Plate: Grid plates are recessed 1/2" and are supported on the table edge without pins. Four independent perforated grid plates are perforated and removable.

Hand Spray: Deck mounted for convenient access. Chrome plated brass fixture with a flow control valve and a high pressure hose.

Table Leg Frame: Welded construction and fabricated of 16 gauge stainless steel tubing with #4 satin finish.

CE500 Optional Features

BL800 Waste Disposal: Heavy-duty 1 HP disposal, complete with on/off switch, water solenoid, and vacuum breaker.

CO009 Autopsy Table Perimeter Rinse Assembly: The perimeter rinse is designed with a 1/2" diameter perforated tube encompassing the full inner perimeter of the pedestal style tables. While in use the perimeter rinse helps eliminate an accumulation of debris under the grid plates during an autopsy.

CO012 Replaceable Ruler Inch/Centimeter: Long wearing ruler adheres to edge of the table. Can be peeled off and replaced when needed.

CO017 Scale Stand Table Mounted: Table edge mounted scale support socket. The stand includes a support tube allowing the scale to swing and drain into the main sink.



ISO: Quality Management System in compliance with ISO 9001:2008 and applies: Design, Engineering, Manufacturing and Installation of Equipment Distribution of Supplies for Morgue, Pathology, Histology and Necropsy Applications.

APPROVAL: TUV Listed & Certified: Tests to UL61010-1 :2004 standards in addition to CAN/CSA and NFPA standards. This listing covers the entire product as an entity and not just individual components.

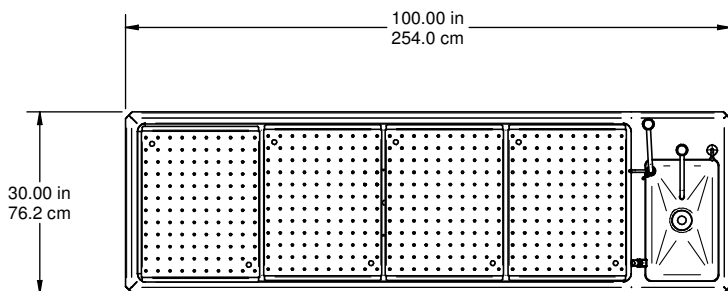
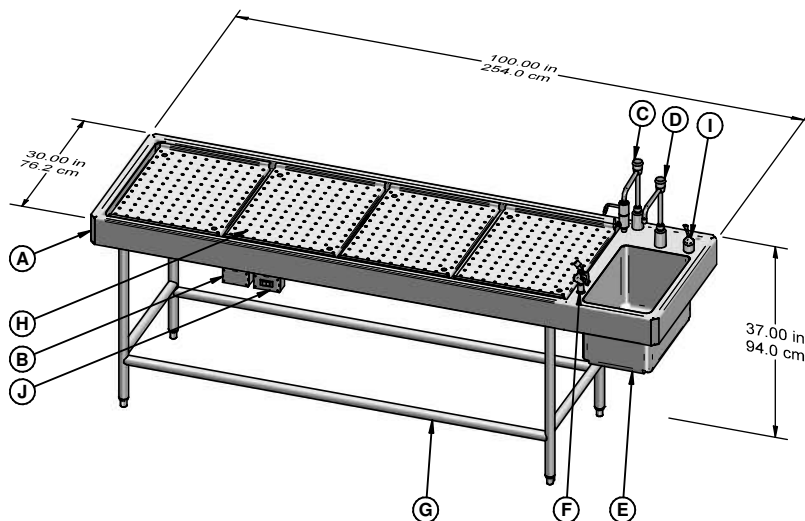
CE500 (Non-Vented) Autopsy Table with Leg Frame

STANDARD FEATURES

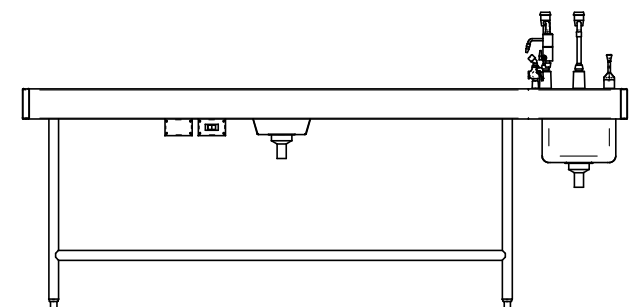
- A Table Top
- B GFCI Electrical Outlet (2)
- C Hydro Aspirator
- D Fixture w/Swing Spout
- E Sink (20" x 12" x 12")
- F Hand Spray
- G Leg Frame
- H Removable Grid Plates (4)
- I Mixing Valve
- J Main Circuit Breaker Switch

OPTIONAL FEATURES

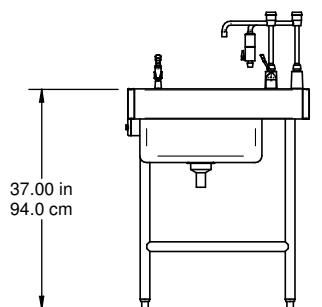
- CO009 Autopsy Table Perimeter Rinse Assembly
- CO012 Inch/Centimeter Scale
- CO017 Scale Stand Table Mount
- BL800 1 HP Disposal



UL 61010:2004
CAN/CSA-C22.2
NFPA 79-2002



FINISHED FLOOR



FINISHED FLOOR



CE Series L-Shaped Autopsy Tables

CE600 w/Integral Right Wing or CE700 w/Integral Left Wing



The CE600 Autopsy Table Hand Spray has a high pressure hose coiled on a J-hook allowing complete rinsing of the entire body or table. The unique L shape design allows organ removal and dissection.

The CE Series L-shaped autopsy table is a pedestal design that includes all of the convenient features necessary to perform an autopsy along with an added integrally constructed right or left wing. Unit includes Mopec's standard downdraft ventilation system. A hydro-aspirator is conveniently located near the sink basin for ease in collection and/or disposal of fluids. Waterproof electrical receptacles are provided on both sides of the table. A hot and cold water faucet is provided with a single lever and a vacuum breaker to safeguard the facility water supply. The autopsy table has an integrally constructed large sink and is creased toward the center for complete drainage.

The wing or end of the table is supported by a cabinet pedestal which contains a drawer and storage compartment. Fabricated of stainless steel with a #4 satin finish.

**WORKSURFACE HAS NO SEAMS OR OVERLAPS.
UNIT IS SHIPPED IN ONE PIECE AS SHOWN.**

CE Series L-Shaped Standard Features

Table Top: The table top is fabricated of stainless steel with a #4 satin finish with built in large sink on one end.

Electrical: Two GFCI duplex electrical receptacles with water resistant covers are provided.

Hydro-Aspirator: Located on the end of the table near the sink basin. The aspirator is provided with a reversing valve to clear the aspirator of any foreign matter. The aspirator is completely plumbed with control valve, vacuum breaker and tubing.

Faucet: Swing spout faucet has a vacuum breaker controlled by a single lever hot/cold handle.

Hand Spray: Hand Spray is fabricated of chrome plated brass and includes a high pressure hose.

Grid Plates: Grid plates are recessed 1/2" and are supported by the table edge without pins. Four independent grid plates are perforated and removable.

Wing: Wing is an integral part of the table completely welded, ground smooth and regrained to match the adjacent surface.

Pedestal: Table pedestal is fabricated of 18 gauge stainless steel type 304 with a #4 satin finish.

CE Series L-Shaped Optional Features

BL800 Waste Disposal: Heavy-duty 1 HP disposal, complete with on/off switch, water solenoid, and vacuum breaker. Plumbed and wired, ready for use.

CO009 Autopsy Table Perimeter Rinse Assembly: The perimeter rinse is designed with a 1/2" diameter perforated tube encompassing the full inner perimeter of the pedestal style tables. While in use the perimeter rinse helps eliminate an accumulation of debris under the grid plates during an autopsy.

CO012 Replaceable Ruler, Inch/Centimeter: Long wearing ruler adheres to edge of the table. Can be peeled off and replaced when needed.

CO017 Scale Stand Table Mounted: Table edge mounted scale support socket. The stand includes a support tube allowing the scale to swing and drain into the main sink.

Product Description

Product No: CE600 Right Wing

Product No: CE700 Left Wing

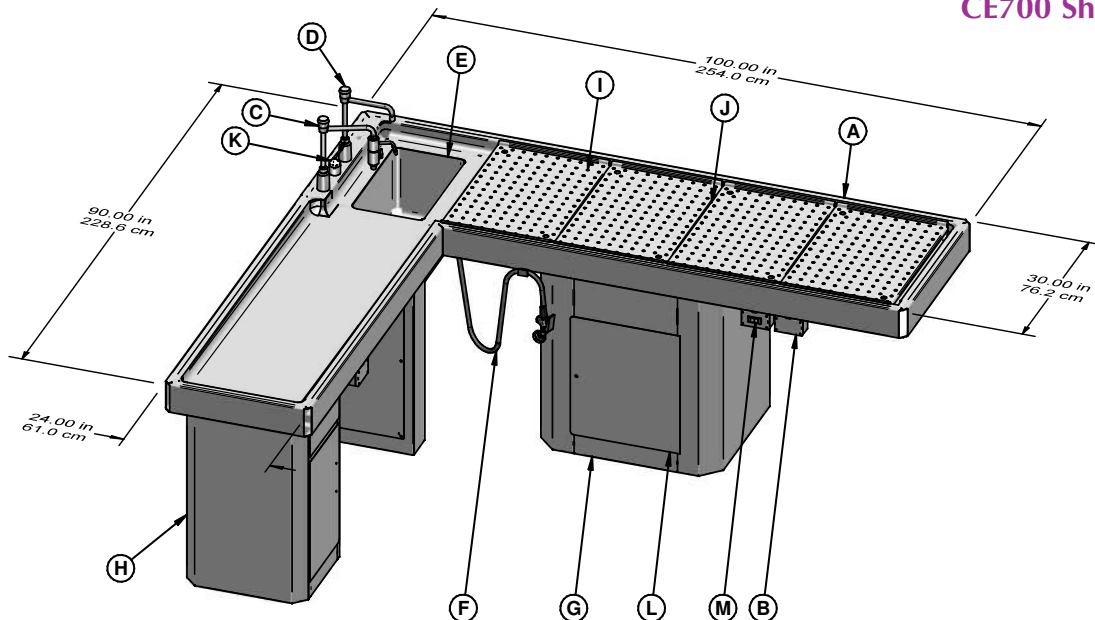
ISO: Quality Management System in compliance with ISO 9001:2008 and applies: Design, Engineering, Manufacturing and Installation of Equipment Distribution of Supplies for Morgue, Pathology, Histology and Necropsy Applications.

APPROVAL: TUV Listed & Certified: Tests to UL61010-1 :2004 standards in addition to CAN/CSA and NFPA standards. This listing covers the entire product as an entity and not just individual components.

CE Series L-Shaped Autopsy Tables

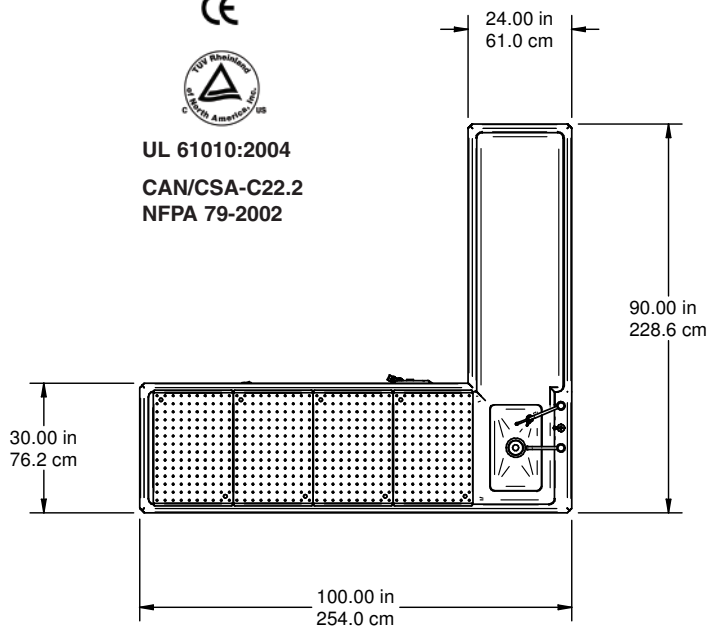
CE600 w/Integral Right Wing or CE700 w/Integral Left Wing

CE700 Shown





UL 61010:2004
CAN/CSA-C22.2
NFPA 79-2002

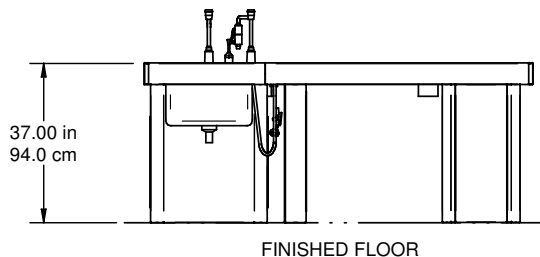
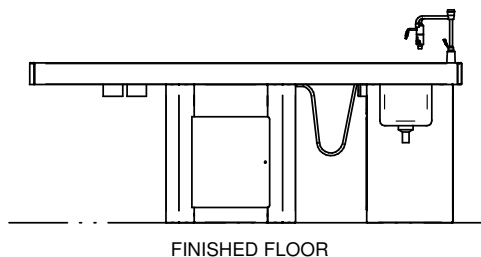


STANDARD FEATURES

- A Table Top
- B GFCI Electrical Outlet (2)
- C Hydro Aspirator
- D Fixture w/Swing Spout
- E Sink (20" x 12" x 12")
- F Sink Spray
- G Main Pedestal
- H Storage Cabinet
- I Removable Grid Plates (4)
- J Down Draft Ventilation System
- K Mixing Valve
- L Access Panel
- M Main Circuit Breaker Switch

OPTIONAL FEATURES

- CO009 Autopsy Table Perimeter Rinse
- CO012 Inch/Centimeter Scale
- CO017 Scale Stand Table Mount
- BL800 1 HP Disposal



CE Series L-Shaped Elevating Autopsy Tables

CE650 w/Integral Right Wing or CE750 w/Integral Left Wing

1

2

3

4

5

6

7

8

9

10

11



Meets ADA Requirement

The CE Series elevating L-shaped autopsy table includes a sink and drain, a left or right wing, and all the features necessary to perform an autopsy. The entire workstation, including the wing, elevates up or down as needed. A standard feature on either autopsy table is Mopec's downdraft ventilation system, which helps ventilate the body during an autopsy. A hydro-aspirator is conveniently located near the sink basin for ease in collection and/or disposal of fluids.

Electrical receptacles are provided on both sides of the table. A hot and cold water faucet is provided with a single lever and a vacuum breaker to safeguard your facility's water supply. The autopsy table includes a large sink and is creased toward the center for complete drainage.

This table offers you two wing designs: CE650 is a right-hand wing, CE750 is a left-hand wing. The wings are an integral part of each table. All welds use stainless steel filler media, Exposed welds are ground smooth and grained to match the workstation's #4 satin finish. Both the CE650 and CE750 have adjustable table height, 32" to 40", which can increase leg room and alleviate back strain for any technician.

**WORKSURFACE HAS NO SEAMS OR OVERLAPS.
UNIT IS SHIPPED IN ONE PIECE AS SHOWN.**

CE Series L-Shaped Standard Features

Table top: The table top is fabricated of stainless steel with a #4 satin finish. A large sink is integrated on one end of the table.

Wing: Wing is an integral part of the table completely welded, ground smooth and regrained to match the adjacent surface.

Faucet: Swing spout faucet has a vacuum breaker controlled by a single lever hot/cold handle.

Electrical: Two GFCI duplex electrical receptacles with water resistant covers are provided.

Grid plates: The four independent grid plates are perforated and interchangeable.

Elevating Mechanism: The entire workstation can be elevated using an electro hydraulic lifting mechanism that features a watertight switch. Each corner is elevated with independent

electro mechanic lifting cylinders that are synchronized to eliminate misalignment.

Hydro-aspirator: A hydro-aspirator, located on the end of the table near the sink basin, includes a reversing valve to clear the aspirator of any foreign matter. The aspirator is completely plumbed with a control valve, vacuum breaker, and tubing.

Hand Spray: The hand spray is fabricated of chrome plated brass and includes a high pressure hose.

CE Series L-Shaped Optional Features

BL800 Waste Disposal: Heavy-duty 1 HP disposal, complete with on/off switch, water solenoid, and vacuum breaker.

CO009 Autopsy Table Perimeter Rinse Assembly: The perimeter rinse is designed with a 1/2" diameter perforated tube encompassing the full inner perimeter of the pedestal style tables. When in use and during an autopsy, the perimeter rinse helps eliminate an accumulation of debris under the grid plates

CO012 Replaceable Ruler, Inch/Centimeter: Long wearing ruler adheres to edge of the table. Can be peeled off and replaced.

CO017 Scale Stand Table Mounted: Table edge mounted scale support socket. The stand includes a support tube allowing the scale to swing and drain into the main sink.

Product Description

Product No: CE650 Right Wing

Product No: CE750 Left Wing

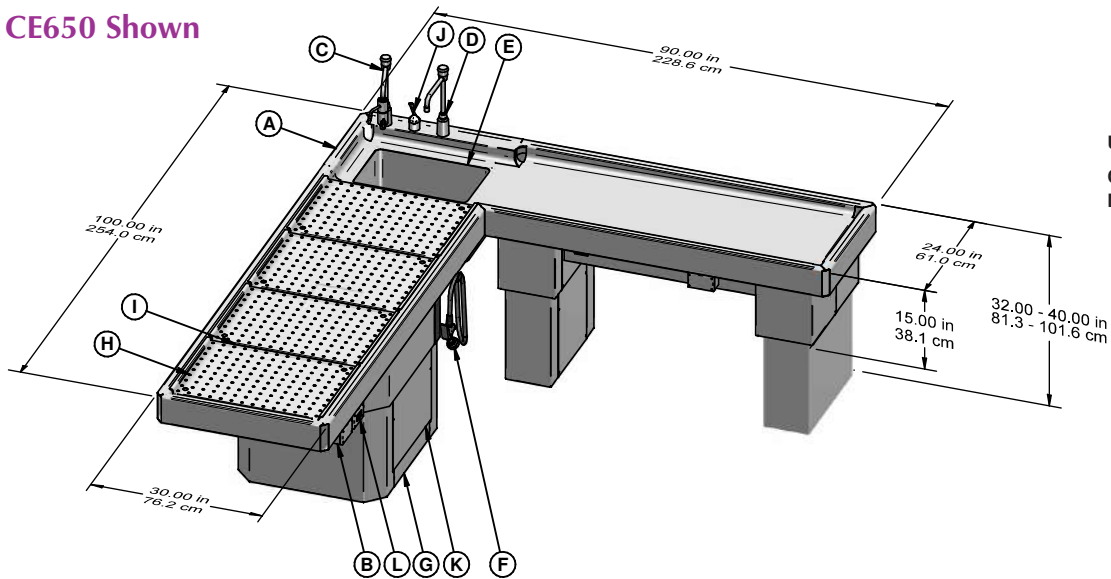
ISO: Quality Management System in compliance with ISO 9001:2008 and applies: Design, Engineering, Manufacturing and Installation of Equipment Distribution of Supplies for Morgue, Pathology, Histology and Necropsy Applications.

APPROVAL: TUV Listed & Certified: Tests to UL61010-1 :2004 standards in addition to CAN/CSA and NFPA standards. This listing covers the entire product as an entity and not just individual components.

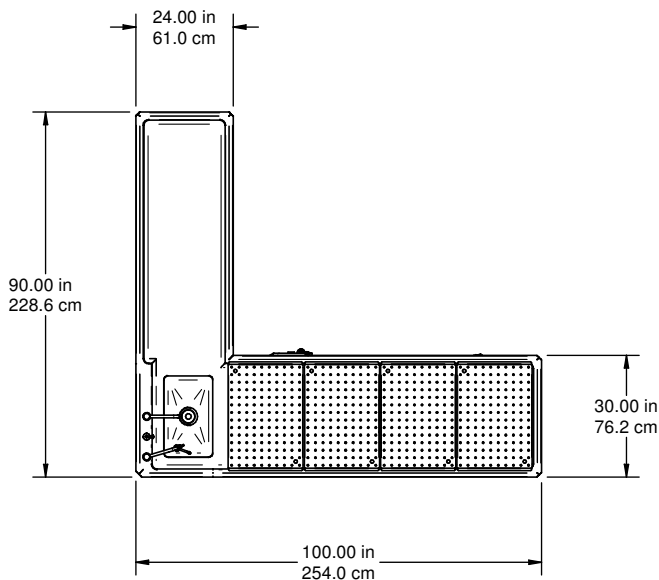
CE Series L-Shaped Elevating Autopsy Tables

CE650 w/Integral Right Wing or CE750 w/Integral Left Wing

CE650 Shown



UL 61010:2004
CAN/CSA-C22.2
NFPA 79-2002

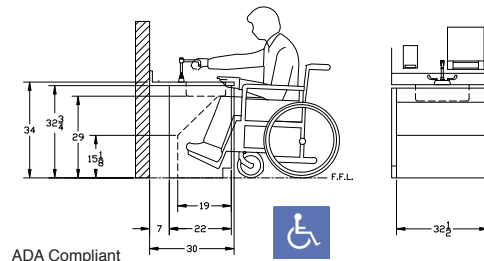


STANDARD FEATURES

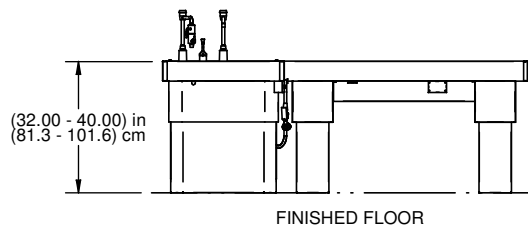
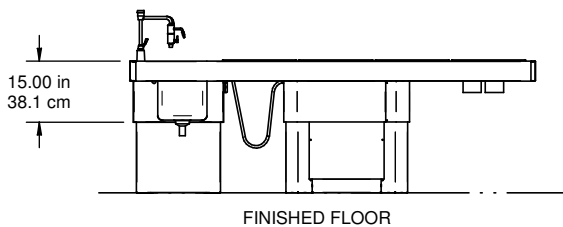
- A Table Top
- B GFCI Electrical Outlet (2)
- C Hydro Aspirator
- D Fixture w/Swing Spout
- E Sink (20" x 12" x 12")
- F Sink Spray
- G Main Pedestal
- H Removable Grid Plates (4)
- I Down Draft Ventilation System
- J Mixing Valve
- K Access Panel
- L Main Circuit Breaker Switch

OPTIONAL FEATURES

- CO009 Autopsy Table Perimeter Rinse Assembly
- CO012 Inch/Centimeter Scale
- CO017 Scale Stand Table Mount
- BL800 1 HP Disposal



ADA Compliant



CE800 Autopsy Sink Service Island

1

2

3

4

5

6

7

8

9

10

11



The CE800 is a pedestal style autopsy service island. This style autopsy sink accommodates all Mopec autopsy carts and includes most of the amenities to perform an autopsy. The CE800 features Mopec Backdraft ventilation. Our exclusive backdraft system safely removes harmful chemical fumes from the encapsulated work area.

A hydro-aspirator is conveniently located at the table ledge for ease in collection and/or disposal of fluids. A hot/cold water faucet is provided with a single lever control with vacuum breaker protection. A water protected electrical receptacle is provided.

CE800 Standard Features

Table Top Sink: The table top sink is fabricated of 14 gauge stainless steel with a #4 satin finish.

Electrical: One GFCI duplex electrical receptacle with water resistant cover is positioned on the side of the pedestal.

Hydro-Aspirator: Located on the end of the table above the sink basin. Provided with a reversing valve to clear the aspirator of any foreign matter. Completely plumbed with control valve, vacuum breaker and tubing.

Faucet: Swing spout faucet has a vacuum breaker controlled by a single lever hot/cold handle.

ISO: Quality Management System in compliance with ISO 9001:2008 and applies: Design, Engineering, Manufacturing and Installation of Equipment Distribution of Supplies for Morgue, Pathology, Histology and Necropsy Applications.

APPROVAL: TUV Listed & Certified: Tests to UL61010-1 :2004 standards in addition to CAN/CSA and NFPA standards. This listing covers the entire product as an entity and not just individual components.



CE800 shown with optional Fluid Collection System (BK610)

CE800 Optional Features

CO003 Sink Perimeter Rinse Assembly: The perimeter rinse is designed with a 1/2" diameter perforated tube encompassing the full inner perimeter of the pedestal style tables. While in use the perimeter rinse helps eliminate an accumulation of debris under the grid plates during an autopsy.

CO012 Replaceable Ruler, Inch/Centimeter: Long wearing ruler adheres to edge of the table. Can be peeled off and replaced.

CO017 Scale Stand Table Mounted: Table edge mounted scale support socket. The stand includes a support tube allowing the scale to swing and drain into the main sink.

CO035 Formalin Fixture: Chemical resistant fixtures with tall gooseneck faucets are provided for dispensing embalming solutions

CO036 Water Fixture: Chemical resistant fixtures with tall gooseneck faucets are provided for dispensing deionized water.

CO037 Hand Spray: Hand Spray is fabricated of chrome plated brass including a high pressure hose.

BL800 Disposal: Heavy-duty 1 HP disposal, complete with on/off switch, water solenoid, and vacuum breaker.



CE800 Autopsy Service Island shown with DC100 Autopsy Cart

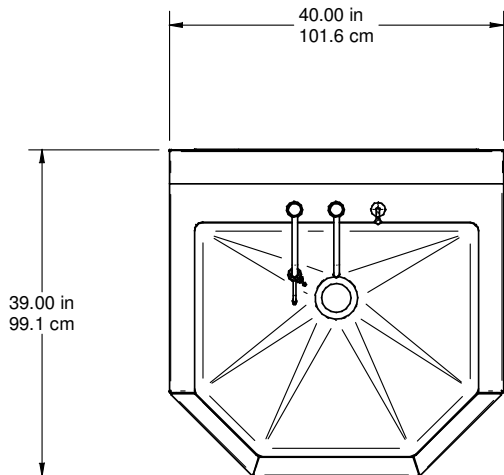
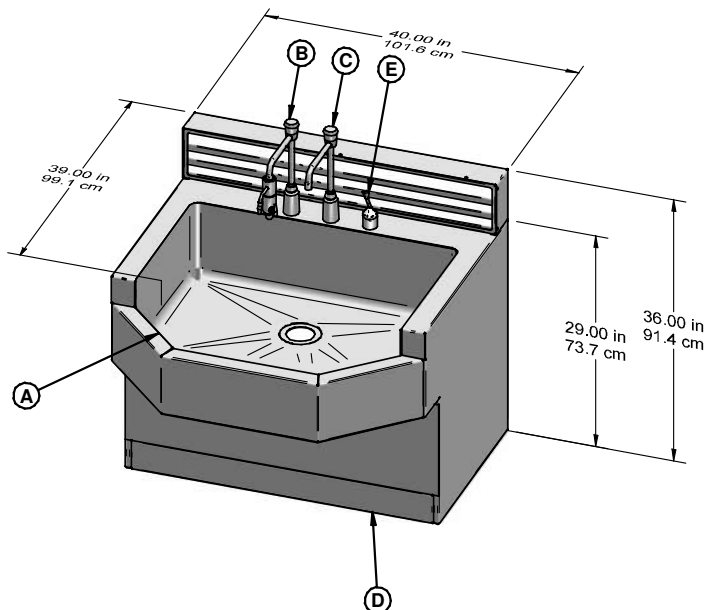
CE800 Autopsy Sink Service Island

STANDARD FEATURES

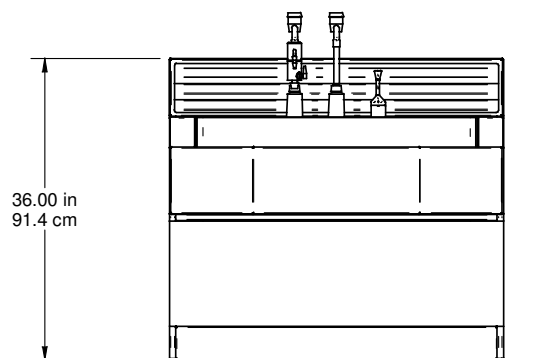
- A Sink Well (34" x 28" x 7")
- B Hydro Aspirator
- C Fixture w/Swing Spout
- D Pedestal
- E Mixing Valve

OPTIONAL FEATURES

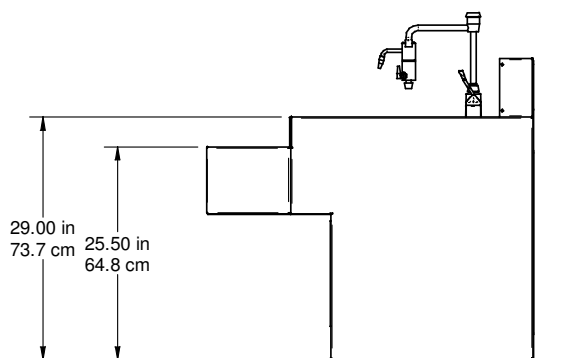
- CO009 Sink Perimeter Rinse
- CO012 Inch/Centimeter Scale
- CO017 Scale Stand Table Mount
- BL800 1 HP Disposal
- BK610 Fluid Collection System



UL 61010:2004
CAN/CSA-C22.2
NFPA 79-2002



FINISHED FLOOR



FINISHED FLOOR



CE850 Autopsy Sink Service Table with Cabinet

1

2

3

4

5

6

7

8

9

10

11



Ideal for teaching facilities/institutions

Any of Mopec's standard autopsy carts can be used with this system

The CE850 is a autopsy sink service table. This style autopsy sink, table and cabinet accommodates all Mopec autopsy carts and includes amenities to perform an autopsy.

A hydro-aspirator is conveniently located on the sink ledge for ease in collection and/or disposal of fluids. A hot/cold water faucet is provided with a single lever control with vacuum breaker protection. Two waterproof electrical receptacles are provided.

CE850 Standard Features

Table Top: The service table is fabricated of 14 gauge stainless steel with a #4 satin finish with built in large sink on one end.

Electrical: Two GFCI duplex electrical receptacles with water resistant covers are positioned on either side of the sink.

Hydro-Aspirator: Located on the end of the table above the sink basin. Provided with a reversing valve to clear the aspirator of any foreign matter. Completely plumbed with control valve, vacuum breaker and tubing.

Water Fixture: Swing spout fixture has a vacuum breaker controlled by a single lever hot/cold handle.

Hand Spray: Hand Spray is fabricated of chrome plated brass including a high pressure hose.

Table Wing: Fabricated of 18 gauge stainless steel, the table wing includes a medium size instrument drawer and storage compartment.

ISO: Quality Management System in compliance with ISO 9001:2008 and applies: Design, Engineering, Manufacturing and Installation of Equipment Distribution of Supplies for Morgue, Pathology, Histology and Necropsy Applications.

APPROVAL: TUV Listed & Certified: Tests to UL61010-1 :2004 standards in addition to CAN/CSA and NFPA standards. This listing covers the entire product as an entity and not just individual components.

CE850 Optional Features

CO012 Replaceable Ruler, Inch/Centimeter: Long wearing ruler adheres to edge of the table. Can be peeled off and replaced when needed.

CO017 Scale Stand Table Mounted: Table edge mounted scale support socket. The stand includes a support tube allowing the scale to swing and drain into the main sink.

CO023 Header Rinse with Control Knob: Ten nozzles for water distribution allows for easy rinsing of table

BK610 Fluid Collection System: Two autoclavable four liter heavy duty polypropylene bottles with stainless steel carriage. Includes ten feet of tubing for hook-up.

BL800 Disposal: Heavy-duty 1 HP disposal, complete with on/off switch, water solenoid, and vacuum breaker.



CE850 Autopsy Sink Service Table

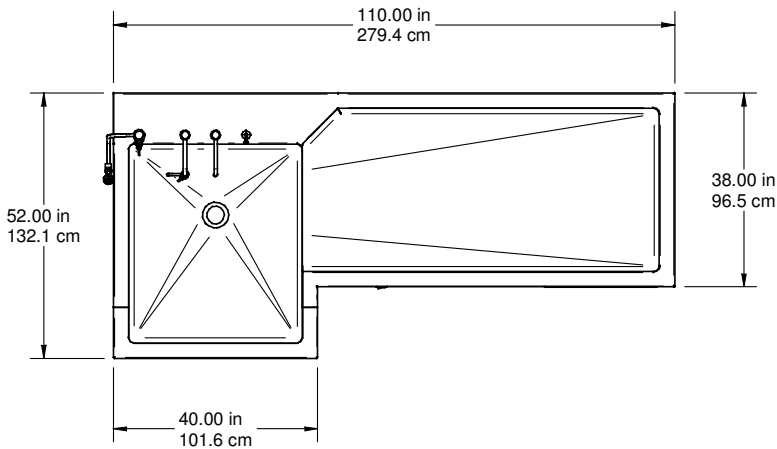
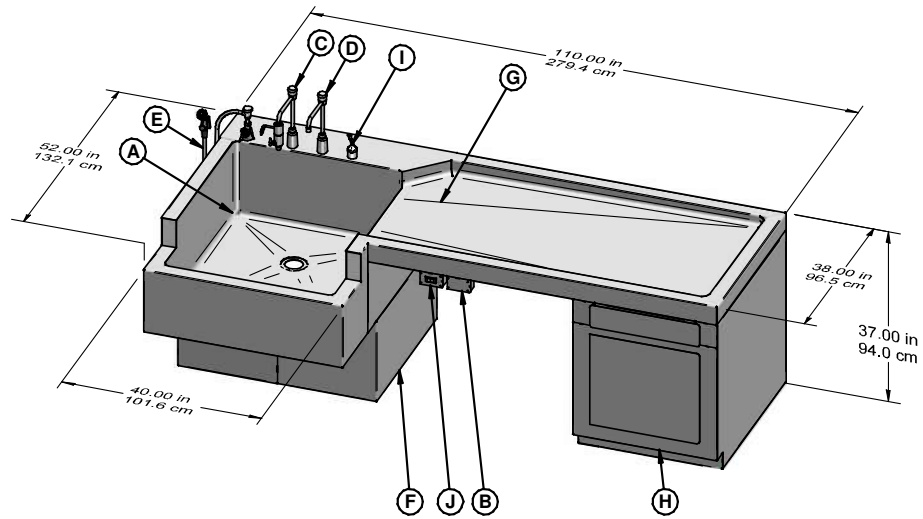
with Cabinet

STANDARD FEATURES

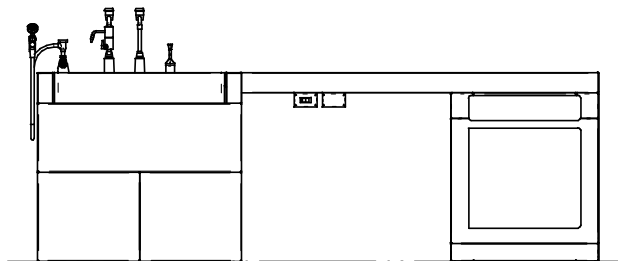
- A Sink Well (39" x 34" x 10")
- B GFCI Electrical Outlet (2)
- C Hydro Aspirator
- D Fixture w/Swing Spout
- E Hand Spray
- F Pedestal
- G Service Table Surface
- H Storage Cabinet with Drawer
- I Mixing Valve
- J Main Circuit Breaker Switch

OPTIONAL FEATURES

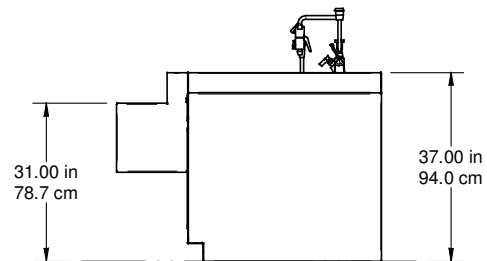
- CO017 Scale Stand Table Mount
- CO023 Header Rinse Bar
- BL800 1 HP Disposal
- BK610 Fluid Collection System



UL 61010:2004
CAN/CSA-C22.2
NFPA 79-2002



FINISHED FLOOR



FINISHED FLOOR

1

2

3

4

5

6

7

8

9

10

11

CE900 Autopsy Pedestal Table

1

2

3

4

5

6



Modified CE900, with foot pedals

7

8

9

10

11

The CE900 Autopsy Table is a pedestal style table constructed of stainless steel that includes all of the convenient features necessary to efficiently perform an autopsy. The CE900 is the shortest version of pedestal style autopsy tables that Mopec offers and is ideal for pediatric institutions. This style also includes an integrally constructed sink into the table top as opposed to a sink wing. Unit comes equipped with Mopec's standard downdraft ventilation system.

A hydro-aspirator is conveniently located near the sink basin for ease in collection and/or disposal of fluids. Electrical receptacles are provided on both sides of the table. A deck mounted Hand Spray with a high pressure hose allows complete rinsing of the body or table with the press of a single lever.

CE900 Standard Features

Electrical: Two GFCI duplex electrical receptacles with water resistant covers are positioned on each side of the pedestal.

Integral Sink: Integral sink to front panel construction eliminates sharp eaves and ledges where bacteria can accumulate. All welded, seamless construction provides durability.

Hydro-Aspirator: Hydro-aspirator is located on the end of the table near the sink. The aspirator has a reversing valve to clear the aspirator of any foreign matter. The aspirator is designed to drain into the sink end for collection or disposal and is completely plumbed with control valve, vacuum breaker and tubing.

Pedestal: Table pedestal is fabricated of stainless steel with a #4 satin finish.

Recessed Table Top: Table top is fabricated of stainless steel with a #4 satin finish with built in large sink on one end.

Hand Spray Rinse: Hand Spray is deck mounted for convenience and has chrome plated brass fixture with a flow control valve and high pressure hose.

Grid Plates: Grid plates are recessed 1/2" and supported by the edge. Three independent grid plates are perforated and removable.

Hot/Cold Fixture: At one end of the table is a hot/cold fixture. The fixture is provided with a single lever hot/cold handle and a large swing spout faucet with vacuum breaker protection.

Sink: An integrally constructed sink is included.

ISO: Quality Management System in compliance with ISO 9001:2008 and applies: Design, Engineering, Manufacturing and Installation of Equipment Distribution of Supplies for Morgue, Pathology, Histology and Necropsy Applications.

APPROVAL: TUV Listed & Certified: Tests to UL61010-1 :2004 standards in addition to CAN/CSA and NFPA standards. This listing covers the entire product as an entity and not just individual components.

CE900 Optional Features

BL800 Disposal: Heavy-duty 1 HP disposal, complete with on/off switch, water solenoid, and vacuum breaker.

CO017 Scale Stand Table Mounted: Table edge mounted scale support socket. The stand includes a support tube allowing the scale to swing and drain into the main sink.

CO023 Header Rinse with Control Knob: Ten nozzles for water distribution allows for easy rinsing of table.

CO038 Foot Pedal: Hot/cold mixing valve

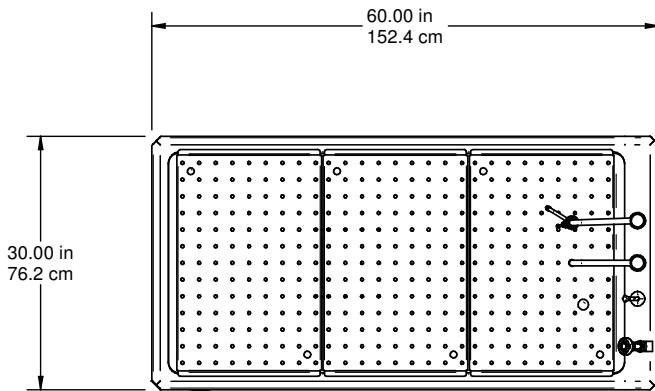
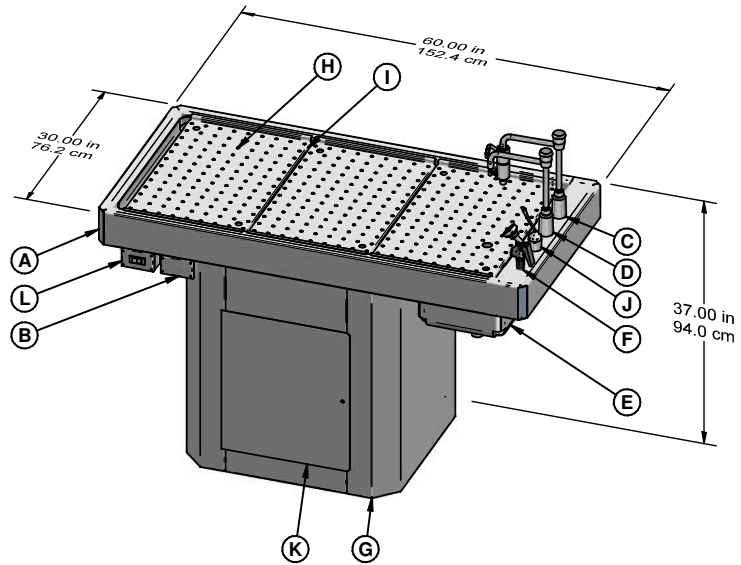
CE900 Autopsy Pedestal Table

STANDARD FEATURES

- A Table Top
- B GFCI Electrical Outlet (2)
- C Hydro Aspirator
- D Fixture w/Swing Spout
- E Sink - 14" x 12" x 11"
- F Hand Spray
- G Pedestal
- H Removable Grid Plates (3)
- I Down Draft Ventilation System
- J Mixing Valve
- K Access Panel
- L Main Circuit Breaker Switch

OPTIONAL FEATURES

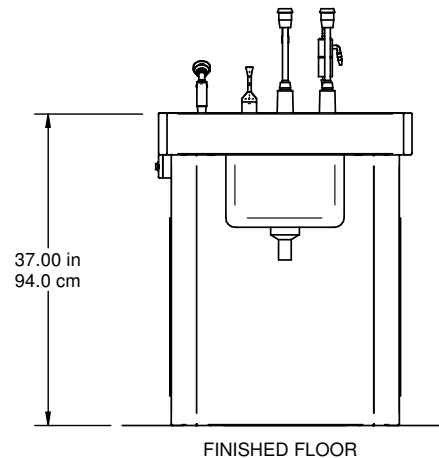
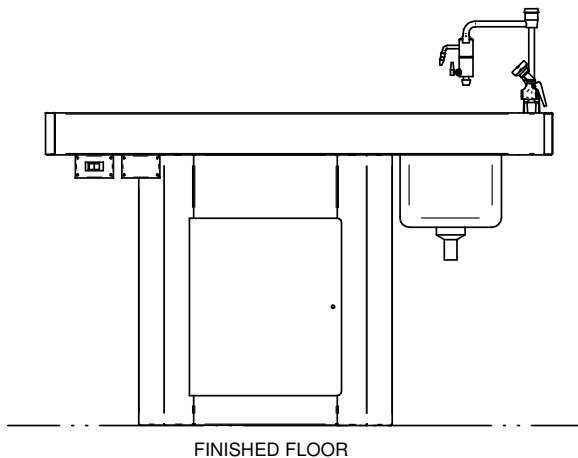
- CO038 Foot Pedal
- CO012 Inch/Centimeter Scale
- CO017 Scale Stand Table Mount
- CO036 Header Rinse with Control Knob
- BL800 1 HP Disposal



CE



UL 61010:2004
CAN/CSA-C22.2
NFPA 79-2002



FD200 Embalming Station

FD200 Standard Features

Electrical: One GFCI duplex electrical receptacle with water resistant cover is positioned on the side of the embalming station.

Faucet: Swing spout faucet has a vacuum breaker and wrist blade handles.

Extra Tall Faucet: Faucet with hot/cold fixture

Rinsing Valves: Includes 10 feet of clear tubing

Hydro-Aspirator: The aspirator has a reversing valve to clear the aspirator of any foreign matter. The aspirator is designed to drain into the sink for collection or disposal and is completely plumbed with control valve, vacuum breaker and tubing.

ISO: Quality Management System in compliance with ISO 9001:2008 and applies: Design, Engineering, Manufacturing and Installation of Equipment Distribution of Supplies for Morgue, Pathology, Histology and Necropsy Applications.

APPROVAL: TUV Listed & Certified: Tests to UL61010-1 :2004 standards in addition to CAN/CSA and NFPA standards. This listing covers the entire product as an entity and not just individual components.

FD200 Optional Features

CO009 Perimeter Rinse System: The perimeter rinse is designed with a 1/2" diameter perforated tube encompassing the full inner perimeter of the embalming sink.

CO024 Fitted Sink Cover: Large fitted cover for aerosol containment within sink.

BL800 Disposal: Heavy-duty 1 HP disposal, complete with on/off switch, water solenoid, and vacuum breaker.



The FD200 Embalming Station is constructed of all stainless steel. Complete with an extra long sink and an extra tall faucet. The built in sterilization tray is excellent for trocars.



CO024 Optional Fitted Sink Cover shown

Mopec also offers Embalming Accessories. Stainless Steel Sanitray



Trocars



See Autopsy Accessories page 107.

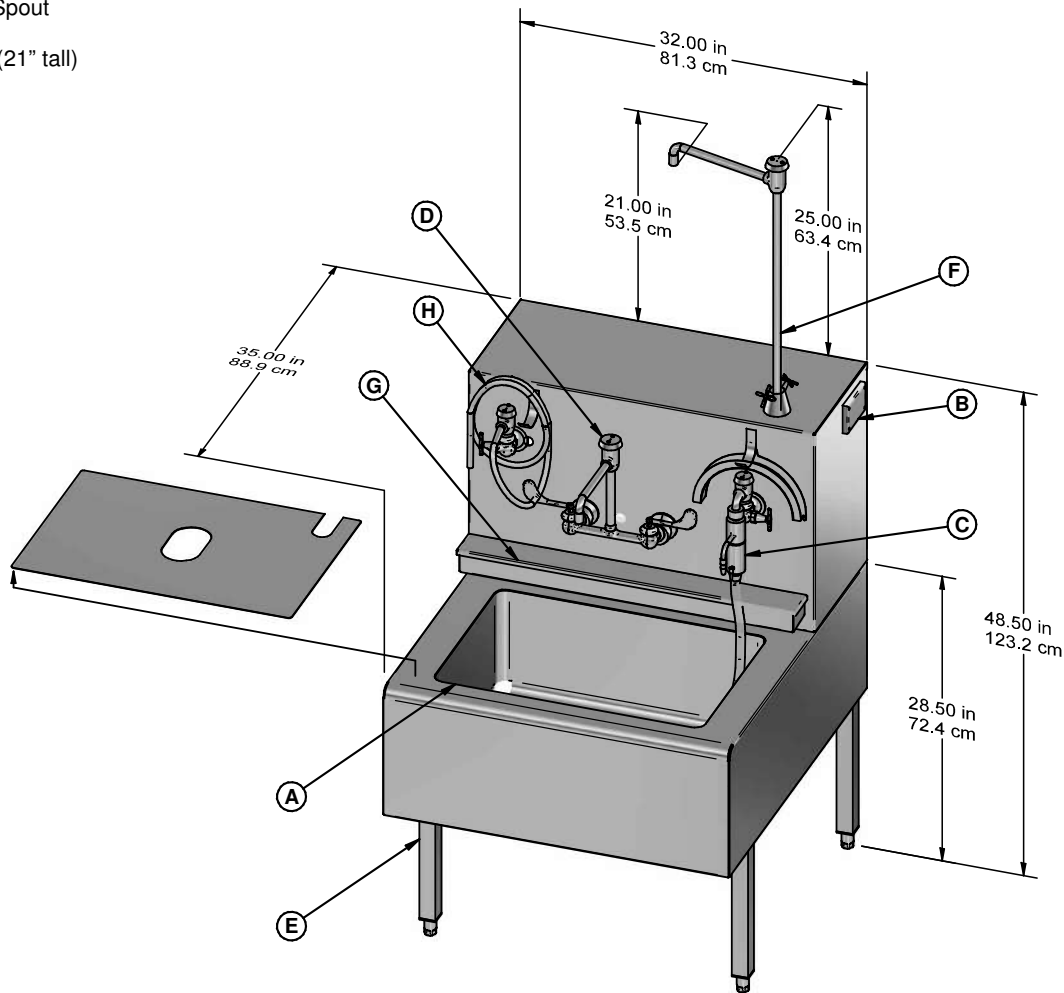
FD200 Embalming Station

STANDARD FEATURES

- A Sink Well (25" x 17" x 10")
- B GFCI Electrical Outlet
- C Hydro Aspirator
- D Fixture w/Swing Spout
- E Leg Frame
- F Extra-tall Faucet (21" tall)
- G Sterilization Tray
- H Body Rinse

OPTIONAL FEATURES:

- CO024 Fitted Sink Cover
- CO009 Perimeter Rinse System (Not Shown)
- BL800 Heavy-duty 1 HP Disposal (Not Shown)



FD200 shown with DC100 Autopsy Cart



UL 61010:2004
CAN/CSA-C22.2
NFPA 79-2002



HE100 Tilting Dissection Table

1

2

3

4

5

6



HE100 shown tilting down



HE100 shown tilting up

The HE100 Portable Cart can be used with most autopsy tables. Heavy duty casters let you roll the cart to any area of the autopsy table where additional grossing space is needed. The end of the cart top is tapered allowing all fluids to drain into the table sink.

ISO: Quality Management System in compliance with ISO 9001:2008 and applies: Design, Engineering, Manufacturing and Installation of Equipment Distribution of Supplies for Morgue, Pathology, Histology and Necropsy Applications.

7

HE100 Standard Features

Top: Dissection top is all stainless steel construction, fabricated of 14 gauge stainless steel with #4 satin finish. The cart top is 48" L x 24" W (121 cm x 61 cm), with a tapered opening to sit on the autopsy table edge.

Frame: Frame is 1-1/2" (3.8 cm) wall stainless steel tubing. All welding is continuous with an approximate 1/8" radius bead. All welds are clean and free of burrs and discoloration.

Simple Height Adjustment: The elevating cart top adjusts in height on one end, from 38.5" to 41.5" (40.5" is level) in 1" (2.5 cm) increments.

8

9

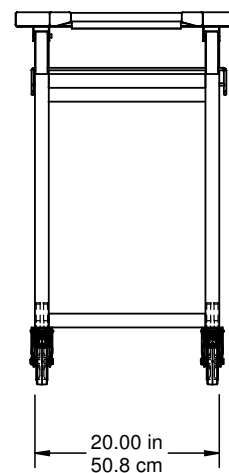
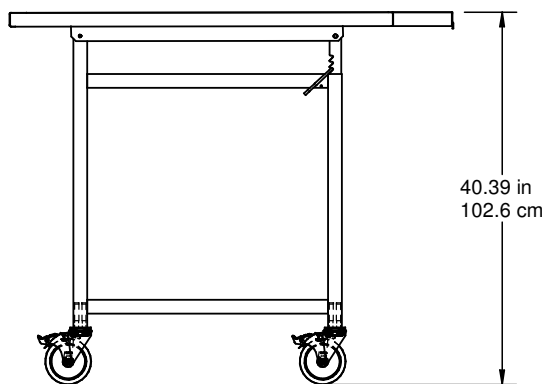
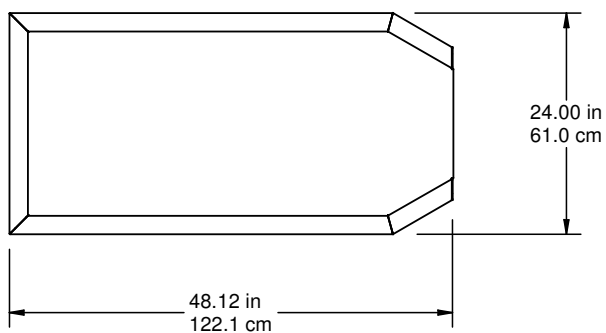
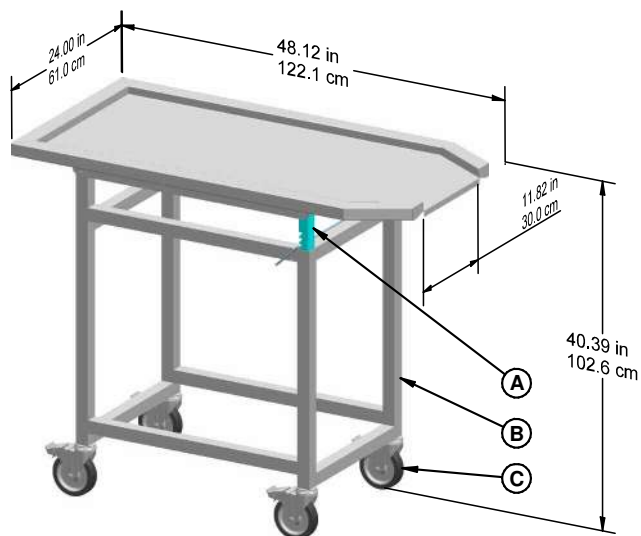


HE100 shown overhanging CE Series Autopsy Table

10

11

HE100 Tilting Dissection Table



STANDARD FEATURES:

- A Elevation Adjuster
- B Caster
- C Heavy-Duty Frame



HL100 Elevating C-Arm X-Ray Table

1

2

3

4

5

6

7

8

9

10

11



HL100 shown with JC100 tray



This table is specifically designed for use with portable x-ray fluoroscopy machines featuring a C-arm electronic image detector. The table's open frame construction allows the C-arm clear travel of almost the entire length of the table and subframe. There are no cross tubes, so the C-arm x-ray machine can come in from either side of the table. A remarkably practical table, it can be fitted with our JC100 heavy-duty all stainless steel body tray, our JC200 high density polyethylene x-ray body tray or our JC400 flat polyethylene cart top. These trays allow for easy continuity between x-ray and autopsy procedures, with the JC200 polyethylene tray leaving virtually no shadowing on x-rays. The subframe is designed with a slope of 1", and has a four -piston lift with manual crank. Material finish is #4 satin finish. The HL100 features long-lasting non-corrosive 8" heavy-duty, powder coated plastic and polyurethane tread casters.

HL100 Standard Features

Frame: Consists of two cart top supports, four cross braces, four legs, two wire cover supports, four endcaps and (4) 8" casters.

Fabrication: All welding is TIG type with only stainless steel as a filler media.

Piston Lift: Four piston lift with manual crank.

ISO: Quality Management System in compliance with ISO 9001:2008 and applies: Design, Engineering, Manufacturing and Installation of Equipment Distribution of Supplies for Morgue, Pathology, Histology and Necropsy Applications.

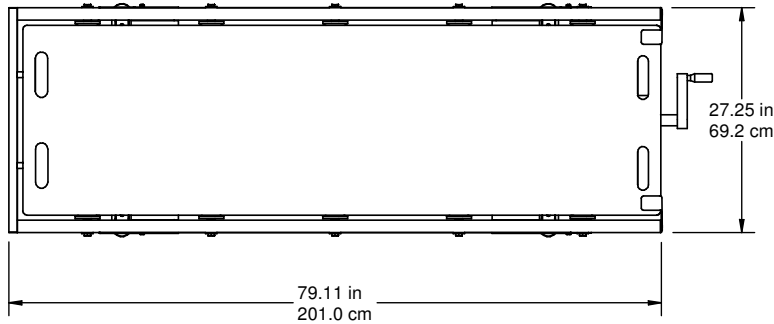
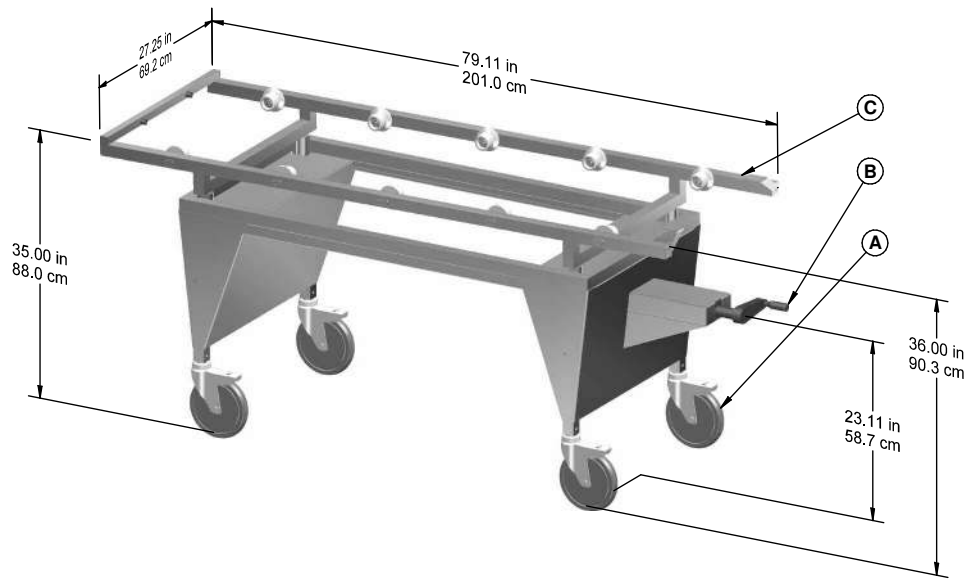
HL100 Optional Features

JC100 Stainless Steel Body Tray: Stainless steel construction, 18 gauge with two hand slots on each end. Weight capacity 375 pounds, 23" W x 77" L. Specify with or without drain hole.

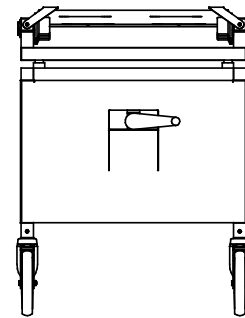
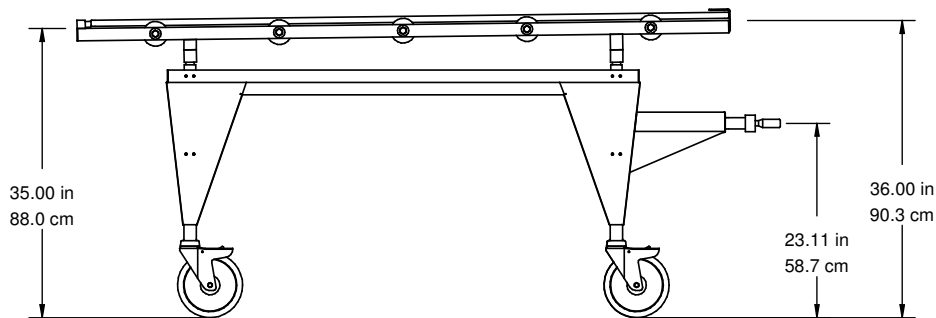
JC200 Polyethylene Body Tray: High density white polyethylene. Specifically designed for x-ray purposes. Weight capacity 350 pounds, 77-1/2" L x 23-1/8" W.

JC400 Flat Polyethylene White Cart Top: For use with HL100. Includes hand slots on each end, 84" L x 23". With manual crank.

HL100 Elevating C-Arm X-Ray Table



UL 61010:2004
CAN/CSA-C22.2
NFPA 79-2002



Standard Features:

- A 8" casters, one directional and three braking
- B Four piston lift with manual cranks
- C Can be fabricated to accept various tray sizes

OPTIONAL FEATURES:

- JC100 – Stainless Steel Body Tray (Not Shown)
- JC200 – Polyethylene Body Tray (Not Shown)
- JC400 – Flat Polyethylene White Cart Top



HL200 C-Arm X-Ray Table

1

2

3

4

5

6



7

8

9

10

11

The HL200 is specifically designed for use with portable x-ray fluoroscopy machines featuring a C-Arm electronic image detector. The table's open frame construction on one side allows the C-arm clear travel of almost the entire length of the table and subframe.

HL200 Standard Features

Cart Frame/Welding: Fabricated of 1-1/2" (3.8 cm) heavy gauge stainless steel tubing. All welding is TIG type utilizing only stainless steel as a filler media. All welding is continuous with an approximate 1/8" (.38 cm) radius bead and are clean and free of burrs and discoloration. Weld fillets are approximately 1/8" (.64 cm) in diameter.

Casters: The HL200 features heavy-duty 8" diameter non-corrosive powder coated wheels. During transport, one caster is swivel locked for easy mobility. When inactive, the casters can be locked in place.

ISO: Quality Management System in compliance with ISO 9001:2008 and applies: Design, Engineering, Manufacturing and Installation of Equipment Distribution of Supplies for Morgue, Pathology, Histology and Necropsy Applications.



HL215

Product Description

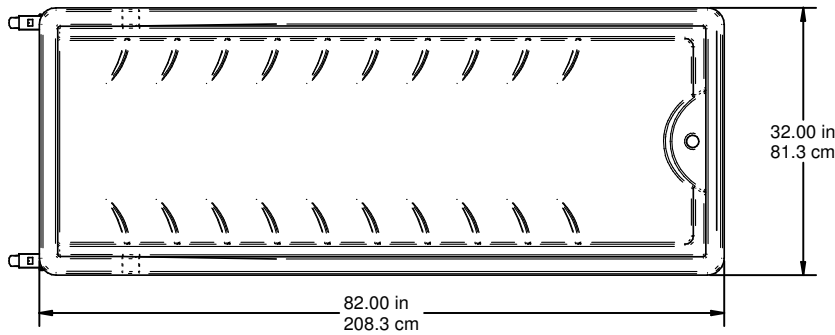
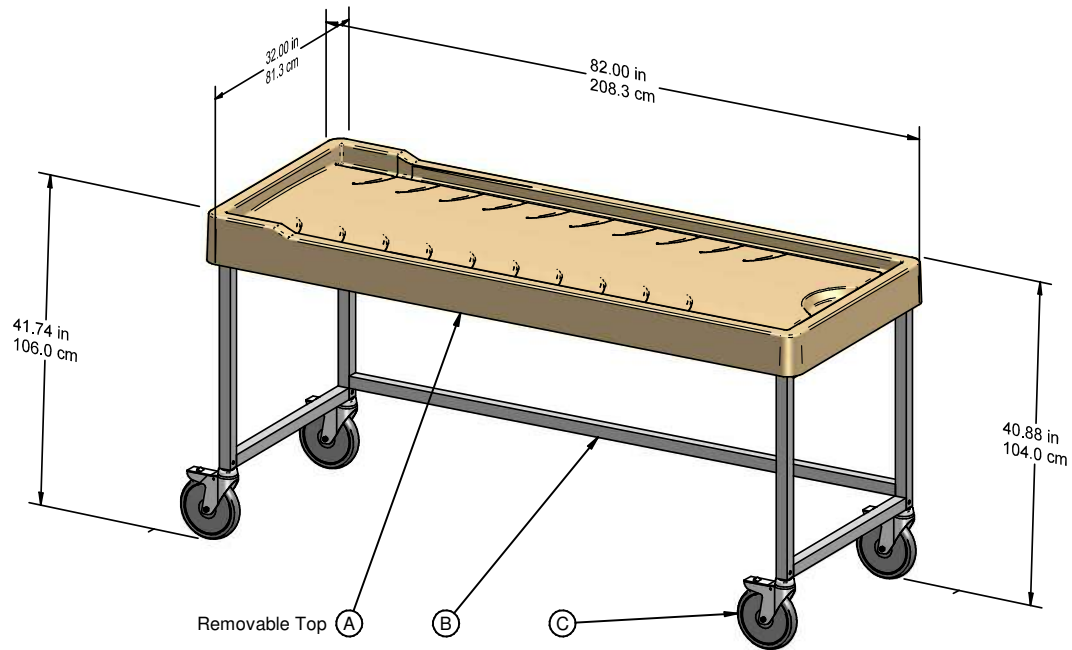
Product No: HL200 Cart Frame Only

Product No: HL205 Cart with GA600 Gray Fiberglass Tray

Product No: HL210 Cart with GA800 Blue ABS Plastic Tray

Product No: HL215 Cart with GA850 Tan ABS Plastic Tray

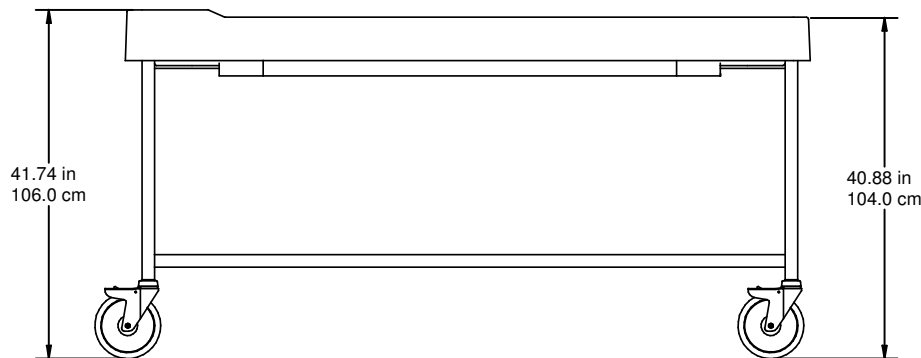
HL200 C-Arm X-Ray Table



CE



UL 61010:2004
CAN/CSA-C22.2
NFPA 79-2002



STANDARD FEATURES:

- A Removable Top
- B Heavy-Duty Frame
- C Casters w/Wheel Brake – Swivel Lock



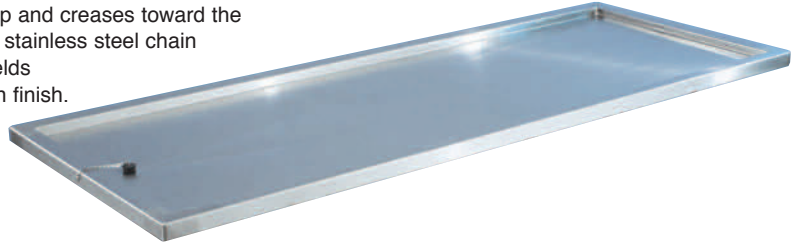
Cart Tops

1

GA100 Autopsy Cart Top

Top fabricated of 14 gauge stainless steel with #4 satin finish. The top measures 32" W x 80-1/2" L x 1-3/4" (81.2 cm x 204.4 cm x 4.4 cm) profile with a 2" ledge around the full perimeter. The top is recessed 1" deep and creases toward the dimpled drain hole. The drain plug is provided with a stainless steel chain permanently affixed to the top flange. All exposed welds are ground smooth and grained to match the #4 satin finish.

Product No. GA100



2

3

GA300 Autopsy Cart Top (Inner Trough)

Top fabricated of 14 gauge stainless steel with #4 satin finish. The top measures 32" W x 80-1/2" L x 1-3/4" profile with a 2" ledge around the full perimeter. The top has a 1" deep trough around full interior perimeter of tray which is 1.5" wide. The body lays on a 5/8" raised area. The drain plug is provided with a stainless steel chain permanently affixed to the top flange. All exposed welds are ground smooth and grained to match the #4 satin finish.

Product No. GA300



4

5

6

GA600 Autopsy Cart Top - Fiberglass

This x-rayable cart top is constructed with a stainless steel sub-frame and fabricated from a chopped fiberglass material, gray color. Also included is a smooth top trough with large drainhole. The tray measures 31" W x 82" L x 2" D. Fits DA100, DB100 and DC100 autopsy carts.

Product No. GA600



7

8

9

10

11



DB000 and autopsy top, GA600



Close up of drain

ISO: Quality Management System in compliance with ISO 9001:2008 and applies: Design, Engineering, Manufacturing and Installation of Equipment Distribution of Supplies for Morgue, Pathology, Histology and Necropsy Applications.

Cart Tops

GA800 X-Ray Tray - Blue

GA850 X-Ray Tray - Tan

The GA800 is a revolutionary, all plastic, x-rayable body tray that is designed to universally interface with any manufacturer's complete line of autopsy carts and body racking systems. The GA800/GA850 can be used with cantilever rack storage systems (IA100 and IB100), as well as conveyor rack systems (IE100) making these trays the most versatile body trays in the industry.

Constructed of vacuum formed ABS plastic, the GA800/GA850 is an incredibly durable and lightweight body tray that is ideal for any medical examiner's office. Molded in a Mopec exclusive "Photo-Blue" color or tan color, the GA800/GA850 body trays allow for impeccable forensic documentation; offering an unmatched background for photography.

To further aid examination, the work surface incorporates recessed channels for improved drainage of fluids. These channels span the length of the body tray and empty into a deep perimeter trough designed to direct all waste fluids toward a drain hole at one end. Tray includes a drain stopper and safety chain.

Product No. GA800 - Blue

Product No. GA850 - Tan

ISO: Quality Management System in compliance with ISO 9001:2008 and applies: Design, Engineering, Manufacturing and Installation of Equipment Distribution of Supplies for Morgue, Pathology, Histology and Necropsy Applications.



GA800 shown on cart



1

2

3

4

5

6

7

8

9

10

11

CH Series Scrub Sink

1

2

3

4

5

6

7

8

9

10

11



The hand washing scrub sink is an essential product for any morgue providing a specific place to wash hands before and after an autopsy or any handling of infectious material. Designed with a 12" high backsplash and full 3/4" radius corner construction. All welded integral construction, 14 gauge stainless steel with #4 satin finish, no parting seams which can collect bacteria in the sink and backsplash.

Mounting is achieved by simply mounting the gussets on the wall and placing the sink on gussets. Sink is then bolted to the gusset. Easily cleaned by hand or with a hose.

CH Series Standard Features

Fixture with Swing Spout: Center gooseneck faucet

Wall Mount Brackets: Heavy duty 14 gauge stainless steel mounting gussets are provided.

Foot Pedal: Foot pedal valves for water control

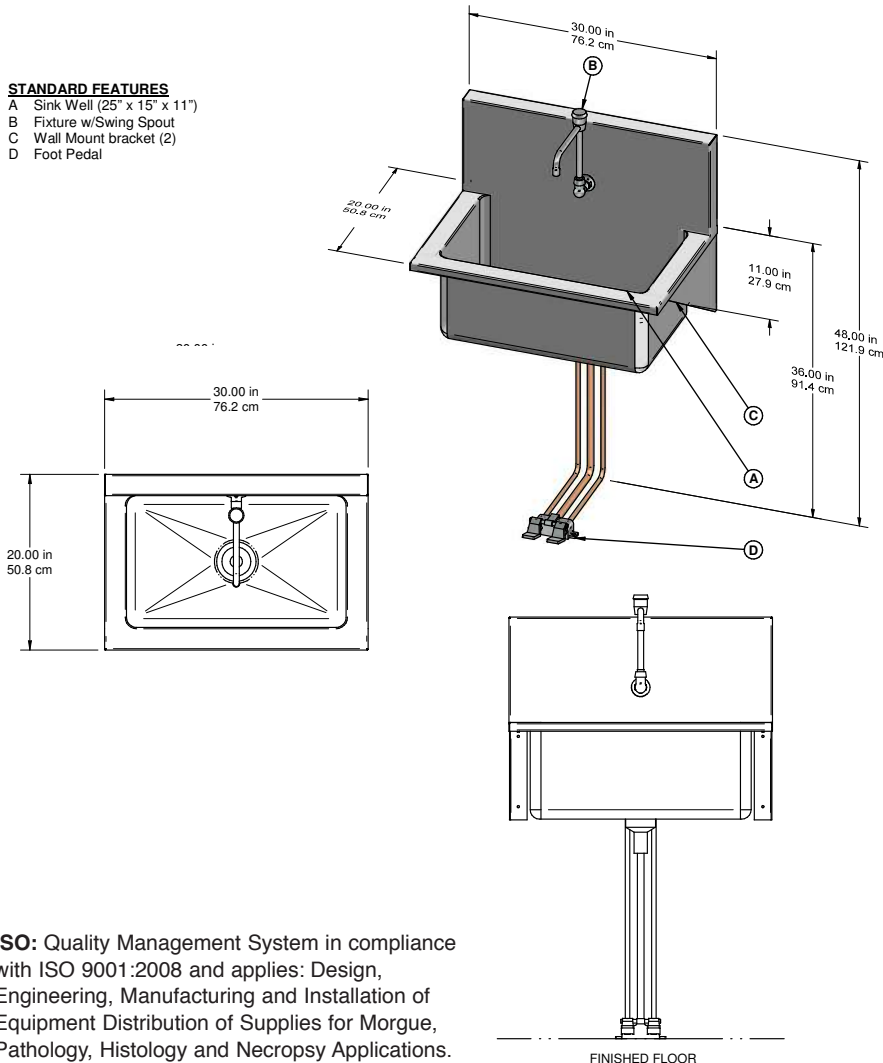
Product Description

Product No. CH100 - 30" length sink, single faucet

Product No. CH200 - 48" length sink, double faucet

STANDARD FEATURES

- A Sink Well (25" x 15" x 11")
- B Fixture w/Swing Spout
- C Wall Mount bracket (2)
- D Foot Pedal



ISO: Quality Management System in compliance with ISO 9001:2008 and applies: Design, Engineering, Manufacturing and Installation of Equipment Distribution of Supplies for Morgue, Pathology, Histology and Necropsy Applications.

DISSECTION TABLES

Chapter 7



HO Dissection Table Options.....	295
HA100 Dissection Table	296-297
HA200 Dissection Table	298-299
HA300 Dissection Table	300-301
HA400 Dissection Table	302-303
HB100 Dissection Table	304-305
HB400 Dissection Table	306-307
HB450 Dissection Table	308-309
HB300 Dissection Table	310-311
HD100 Dissection Tank	312-313
HF100 & HF200 Dissection Stations	314-316

HA and HB Series Dissection Tables

1

Mopec has proudly supplied dissection tables to anatomy laboratories throughout the world, from high schools to independent laboratories, as well as many of the world's largest academic institutions.

Mopec's large list of clients will proudly endorse our technically advanced design, high quality equipment and commitment to customer satisfaction.



2

Mopec can custom design any room or lab to meet your specifications. Mopec has turnkey solutions!

3



4

5

6

7

8

9

10

11



HO Dissection Table Optional Features

H0001 Bridge Style Leg Rest
Leg rest is removable and provided with integral leg stirrups



H0006 Post Style Book Holder

This swing style book holder is removable and mounted on the leg frame of the dissection table. Each book holder will support one book. Sold individually.

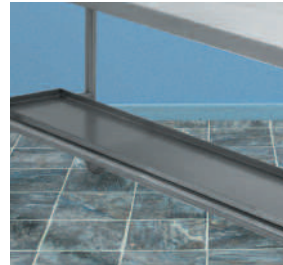


H0002 Bridge Style Book Stand Book stand is removable and includes book ledge, capable of supporting two books. This option is designed to be concealed under the hood when closed



H0024 Lower Fixed Stainless Steel Shelf

Stainless steel shelf



H0003 Bucket Holder

The bucket holder is self contained and is straddled between two lateral frame supports of the unit. Shown with optional BA005 stainless steel bucket.



H0029 Scale Stand

Table mounted scale support socket. The stand includes a support socket and a support tube allowing the scale to swing over and drain into the sink. Scale and pan not included.



H0005 Post Style Leg Rest

These two stirrup style leg holders are removable and mounted to the frame of the dissection table. Sold as a set of two.



H0030 Stainless Steel Instrument Holder

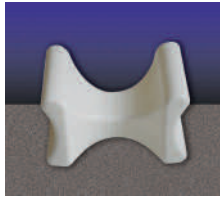
Instrument holder can be placed at any corner of the dissecting table. Tray is removable for cleaning and transporting dissecting instruments.



Accessories



BA005 Stainless Steel Bucket Shown with Cover (BA006)



BA026 Plastic Headrest



BA025 Rubber Headrest



BA601 Disposable Headrest



BA029 Body Support Shim

Mopec offers many more accessories - customized to your needs



HA100 Dissection Table

1

2

3

4

5

6

7

8

9

10

11



HA100 modified

Recessed Table Top with Fluid Drain

The HA100 Dissection Table is designed for the dissection of cadavers and includes a recessed top. Built with a positive slope the table drains toward one end into a bucket (accessory BA005) which is neatly suspended under the frame. A PVC stop valve is located under the drain to stop the flow of fluids while emptying the bucket (accessory BA005). Heavy duty lockable casters allow you to roll the cart to any area of the room where additional dissection space is needed.

HA100 Standard Features

Table Top: The table top features fully welded construction with heavy-duty undercarriage subframe. The table top is fabricated of 14 gauge stainless steel with a #4 satin finish.

Undercarriage Sub-frame: "U" channel type design with continuous structural welding. Material utilized is 11 gauge stainless steel.

Casters: Casters are 5" diameter with heavy duty swivel wheels complete with swivel locks and wheel brakes.

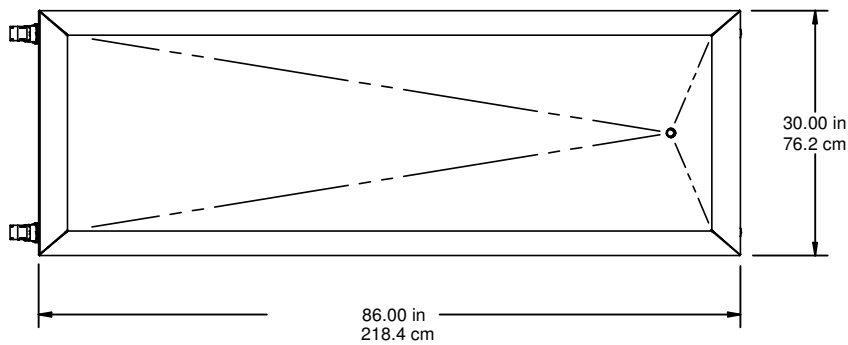
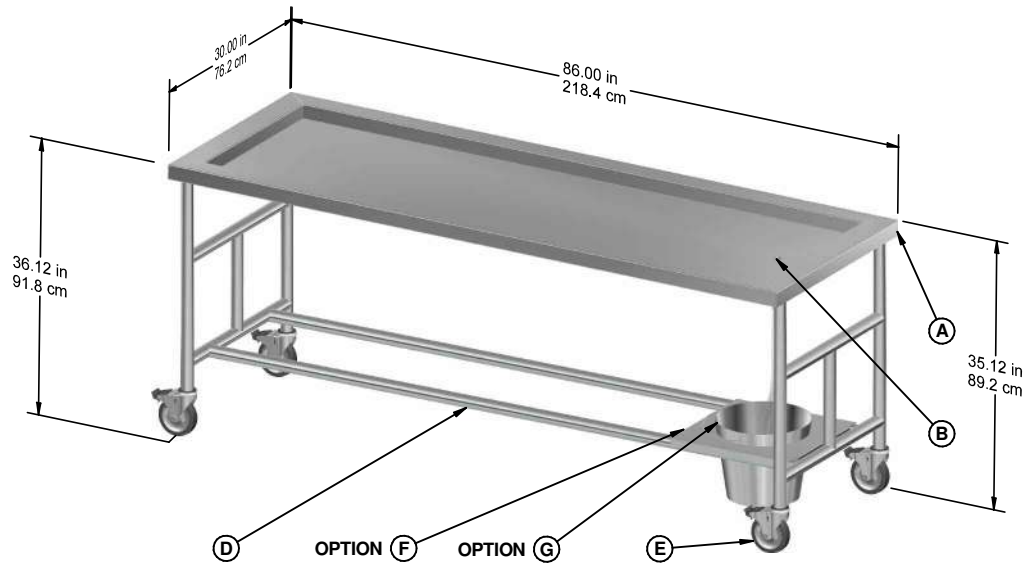
Frame: The frame is constructed with four upright legs, two cross leg support tubes and two lateral support tubes. Fabricated of 1-5/8" diameter heavy wall stainless steel tubing with a #4 satin finish.

ISO: Quality Management System in compliance with ISO 9001:2008 and applies: Design, Engineering, Manufacturing and Installation of Equipment Distribution of Supplies for Morgue, Pathology, Histology and Necropsy Applications.

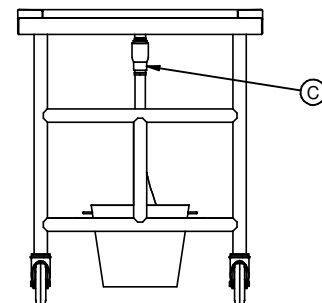
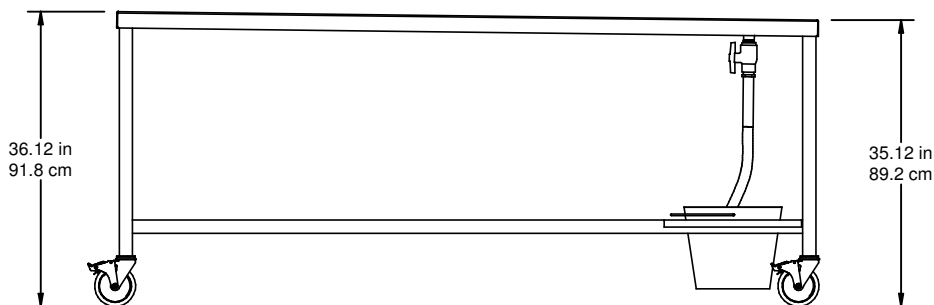
HA100 Optional Features

Description	Product No.
Bridge Style Leg Rests	HO001
Bridge Style Book Stand	HO002
Bucket Holder	HO003
Post Style Leg Rests	HO005
Post Style Book Holder	HO006
Fixed Stainless Steel Shelf	HO024
Accessories	
Stainless Steel Bucket	BA005
Optional Headrests - see Autopsy Accessories	

HA100 Dissection Table



Optional HO006 Post Style Book Holders



STANDARD FEATURES:

- A Stainless Steel Top
- B Drain Hole
- C PVC Ball Valve
- D Heavy-Duty Frame
- E Casters w/Wheel Brake – Swivel Lock

OPTIONAL FEATURES:

- F HO003 – Bucket Holder
- G BA005 – Drain Bucket
- HO005 – Post Style Leg Rests (Not Shown)
- HO006 – Post Style Book Holder (Not Shown)



HA200 Dissection Table with Creased Top

1

2

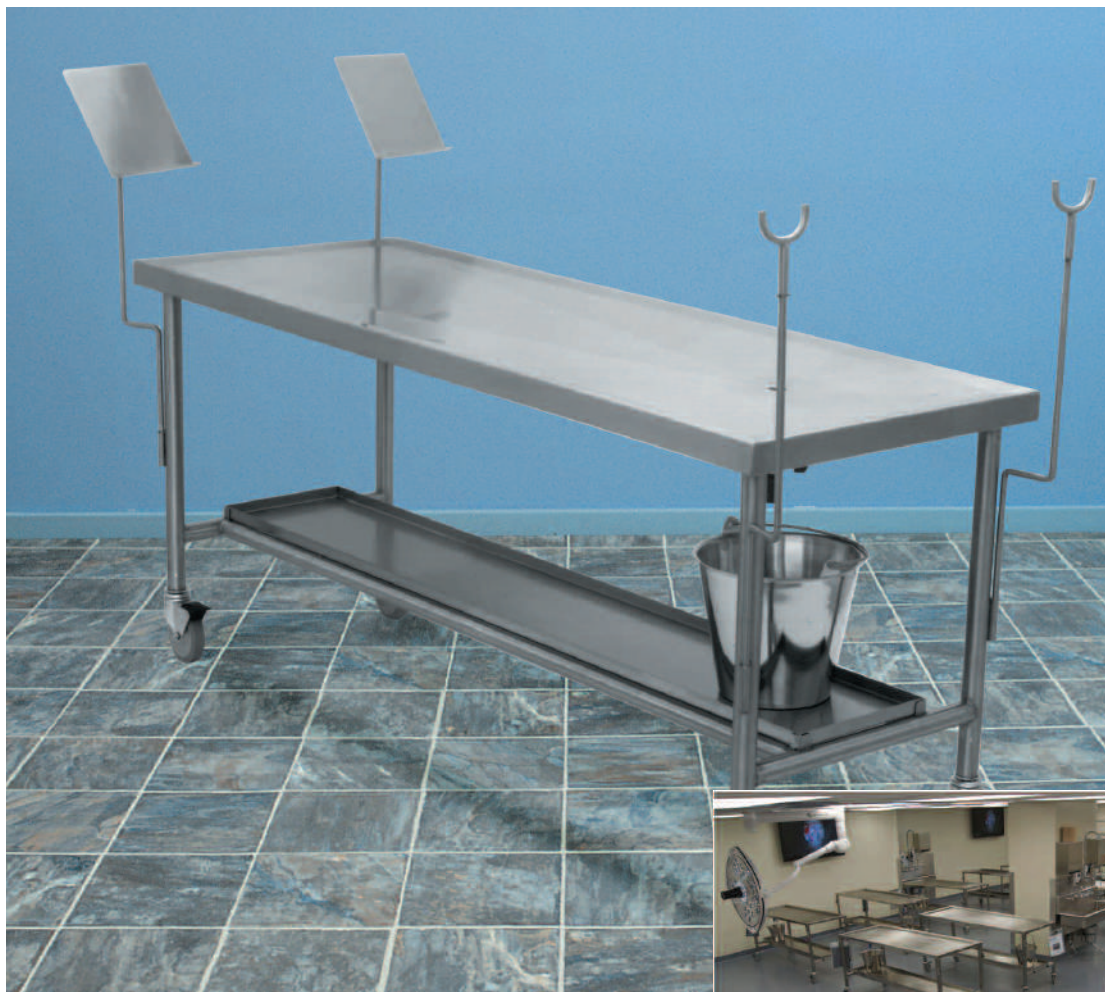
3

4

5

6

7



Mopec's economical HA200 Dissection Table is designed for dissection of cadavers and offers a broad 27" x 78" dissection area with a positive creased marine edge for drainage. This unique feature helps eliminate fluids from spilling over the edge while allowing a smooth rounded perimeter for easy placement and removal of cadavers from either side of the table. The built in slope allows drainage toward one end of the table and into a drain pail located on a shelf below the drain valve. A PVC stop valve is located under the drain to stop the flow of fluids while emptying the collection bucket.

Lower Shelf: A lower frame shelf is used to support the drain bucket or any accessory while dissection is taking place. The shelf is fabricated of 18 gauge type 304 stainless steel with a #4 satin finish.

ISO: Quality Management System in compliance with ISO 9001:2008 and applies: Design, Engineering, Manufacturing and Installation of Equipment Distribution of Supplies for Morgue, Pathology, Histology and Necropsy Applications.

HA200 Standard Features

Table Top: Designed with positive 2" marine edge construction and heavy crease to drain on lower end. Also featured is fully welded construction with heavy-duty undercarriage subframe.

Undercarriage Sub-Frame: Angle type design with full perimeter construction and full structural type welding. Material is 11 gauge stainless steel.

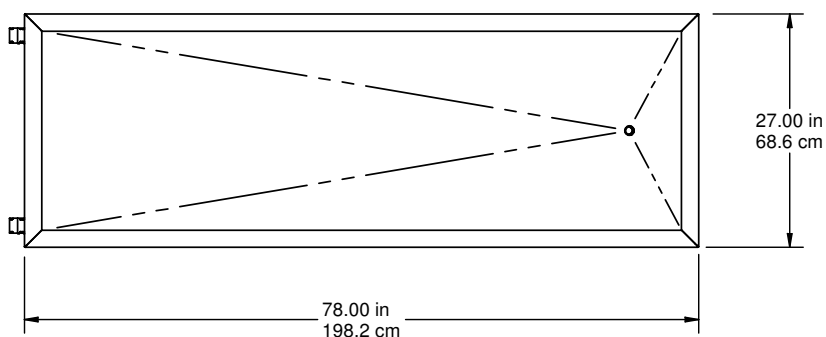
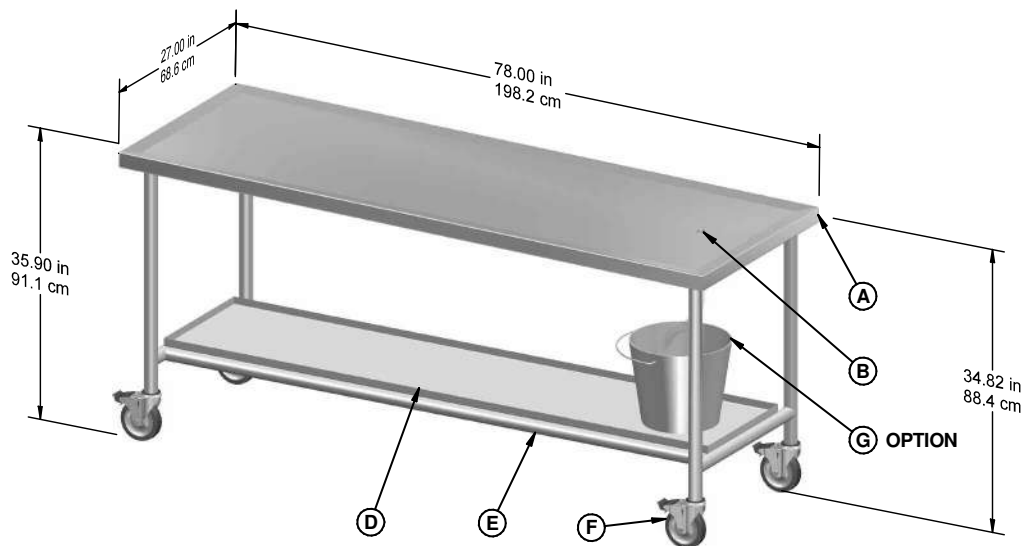
Frame: The frame is constructed with four upright legs, two cross leg support tubes and two lateral support tubes.

Casters: Casters are 5" diameter with heavy duty swivel wheels complete with swivel locks and wheel brakes.

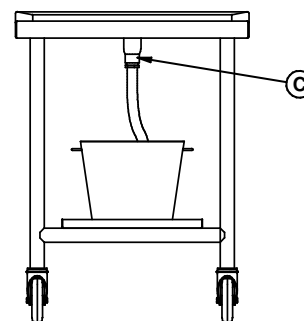
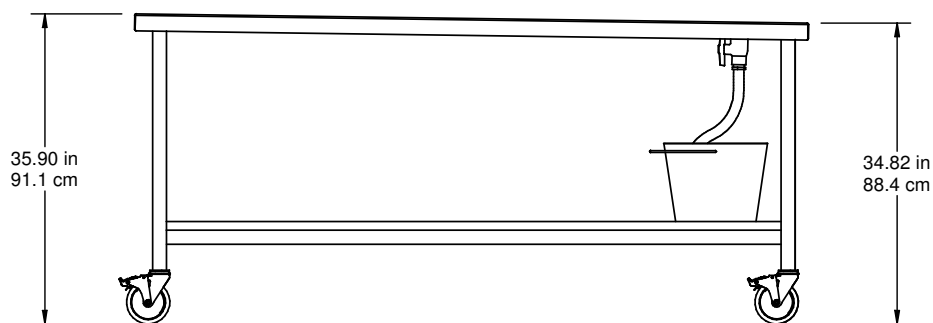
HA200 Optional Features

Description	Product No.
Post Style Leg Rests	HO005
Post Style Book Holder	HO006
Accessories	
Stainless Steel Bucket	BA005
Optional Headrests - see Autopsy Accessories	

HA200 Dissection Table with Creased Top



Optional HO002 Bridge Style Book Holder



STANDARD FEATURES:

- A Stainless Steel Top
- B Drain Hole
- C PVC Ball Valve
- D Stainless Steel Lower Shelf
- E Heavy-Duty Frame
- F Casters w/Wheel Brake – Swivel Lock

OPTIONAL FEATURES:

- G BA005 – Drain Bucket
- HO005 – Post Style Leg Rests (Not Shown)
- HO006 – Post Style Book Holder (Not Shown)

1

2

3

4

5

6

7

8

9

10

11

HA300 Dissection Cart with Removable Tray

1

2

3

4

5

6

7

8

9

10

11



HA300 optional rolled edge



HA300 shown with tray (JC102)

The HA300 Dissecting Cart with removable tray is designed for the dissection of cadavers. Includes JC102 stainless steel tray with rolled edge handles. Gliding on corrosion proof polypropylene rollers, the body tray easily rolls onto the cart frame. Once the tray is on the HA300 cart, lockable tray latch secures body tray from back sliding. Constructed to work with the body tray is a fluid collection system consisting of a 2-1/2 gallon square carboy. This unique feature helps eliminate fluids from the dissection tray. The carboy sits on a fixed stainless steel shelf. Carboy and shelf included. Weight capacity of the cart is 375 pounds.

HA300 Standard Features

Cart Frame Material: Constructed of stainless steel with a #4 satin finish. Tubing is type 304, polished.

Tray Roller Wheels: 2" Diameter polypropylene roller wheel assembly. Each wheel assembly (ten per cart) includes oilite bushings and washers providing an almost effortless motion of loading and unloading of the tray.

Caster: The HA300 Total Wheel locking system makes it easy to securely lock the wheels in place for cadaver transfer. Lock one wheel in parallel alignment for easy steering through crowded halls and elevators.

Lower Shelf: A lower frame shelf is used to support the fluid collection system. The shelf is constructed of 18 gauge stainless steel.

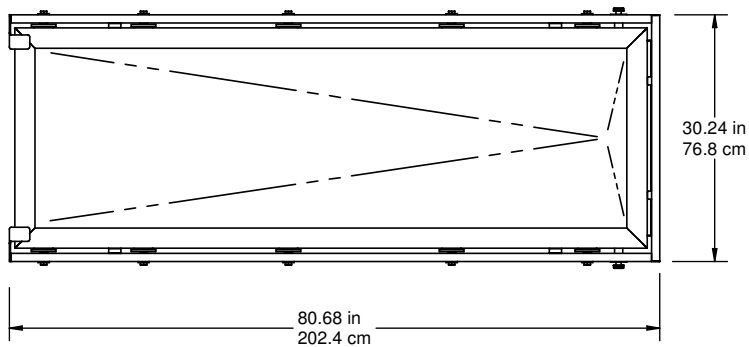
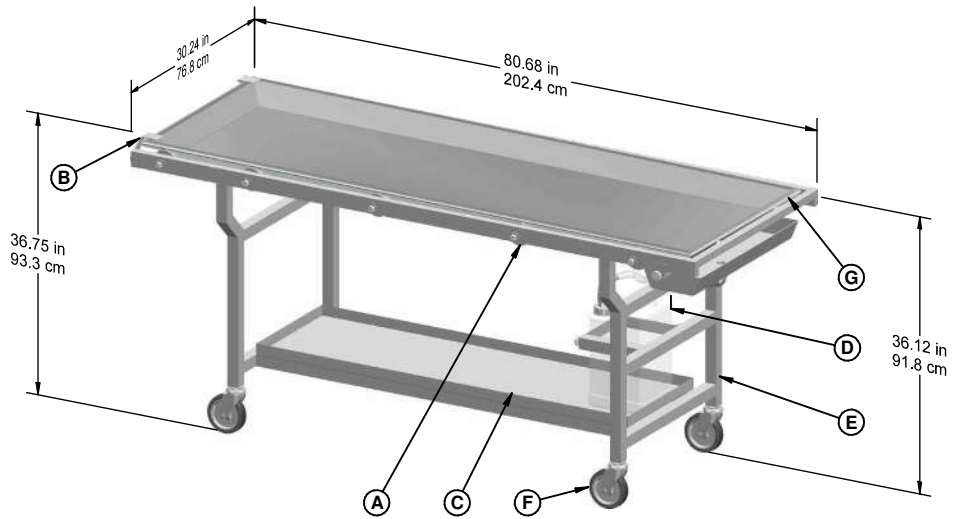
Carboy: 2-1/2 gallon square carboy container.

JC102: Stainless steel construction, 77" long x 27" wide. Rolled edge handles, helps eliminate finger pinching.

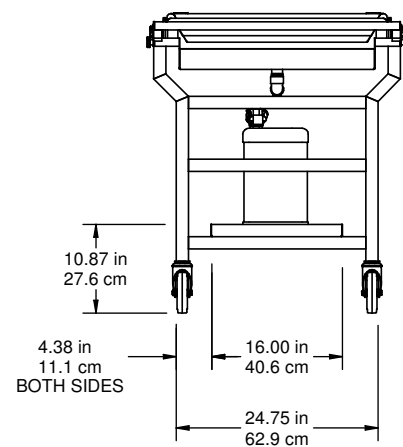
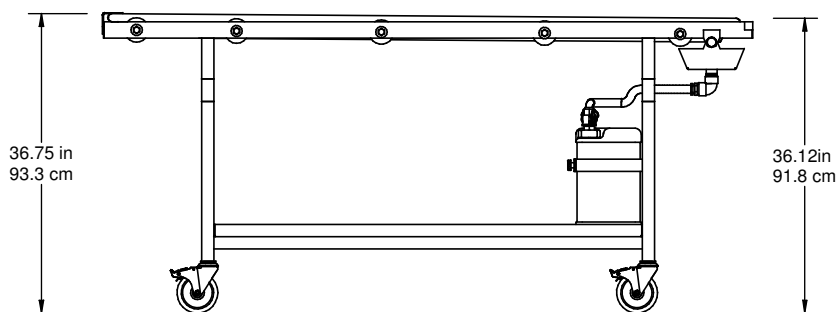
NOTE: Please check with Mopec for additional tray styles and available options.

ISO: Quality Management System in compliance with ISO 9001:2008 and applies: Design, Engineering, Manufacturing and Installation of Equipment Distribution of Supplies for Morgue, Pathology, Histology and Necropsy Applications.

HA300 Dissection Cart with Removable Tray



Fluid collection system



STANDARD FEATURES:

- A Roller Wheel Assembly
- B Tray Latch
- C Lower Shelf, Stainless Steel 16" x 52"
- D Fluid Collection System
- E Heavy-Duty Stainless Steel Frame
- F Casters w/Wheel Brake – Swivel Lock
- G JC102 Stainless Body Tray, 77" x 27"

1

2

3

4

5

6

7

8

9

10

11

HA400 Dissection Table

Recessed Creased Top with Drawers

1

2

3

4

5

6



Shown with custom lower shelf



7

The HA400 Dissecting Table with drawers and optional shelf is designed for dissection of cadavers and offers a broad dissection area with a recessed edge. This unique feature helps eliminate fluids from spilling over the edge while allowing a smooth rounded perimeter for easy placement and removal of cadavers from either side of the unit. The built in slope allows drainage toward one end of the table and into an optional drain bucket located within an optional shelf below the drain valve. A PVC stop valve is located under the drain to stop the flow of fluids while emptying the collection bucket. Located under the tabletop, adjacent to the drain are three large 15" stainless steel drawers, suitable for instrument storage.

Drawers: Three 15" L x 20" W x 5" D (38.1cm x 50.8 cm x 12.7 cm) stainless steel drawers.

ISO: Quality Management System in compliance with ISO 9001:2008 and applies: Design, Engineering, Manufacturing and Installation of Equipment Distribution of Supplies for Morgue, Pathology, Histology and Necropsy Applications.

HA400 Optional Features

Description	Product No.
Bridge Style Leg Rests	HO001
Bridge Style Book Stand	HO002
Bucket Holder	HO003
Post Style Leg Rests	HO005
Post Style Book Holder	HO006
Fixed Stainless Steel Shelf	HO024
Accessories	
Stainless Steel Bucket	BA005
Optional Headrests - see Autopsy Accessories	

8

9

HA400 Standard Features

Table Top: Designed with a two inch recessed edge. Table top has a 1-1/2" slope toward drain hole. Also featured is fully welded construction.

Undercarriage Sub-Frame: Angle type design with full perimeter heavy-duty construction and full structural type welding. Material is 11 gauge stainless steel.

Frame: The frame is constructed with four upright legs, two cross leg support tubes and two lateral support tubes.

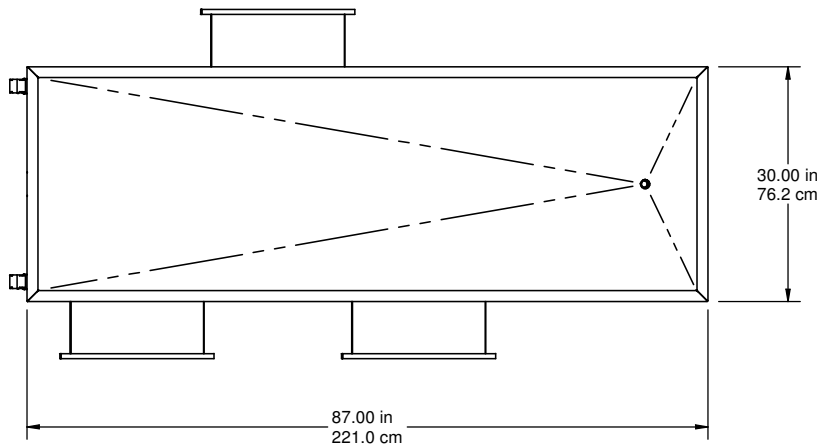
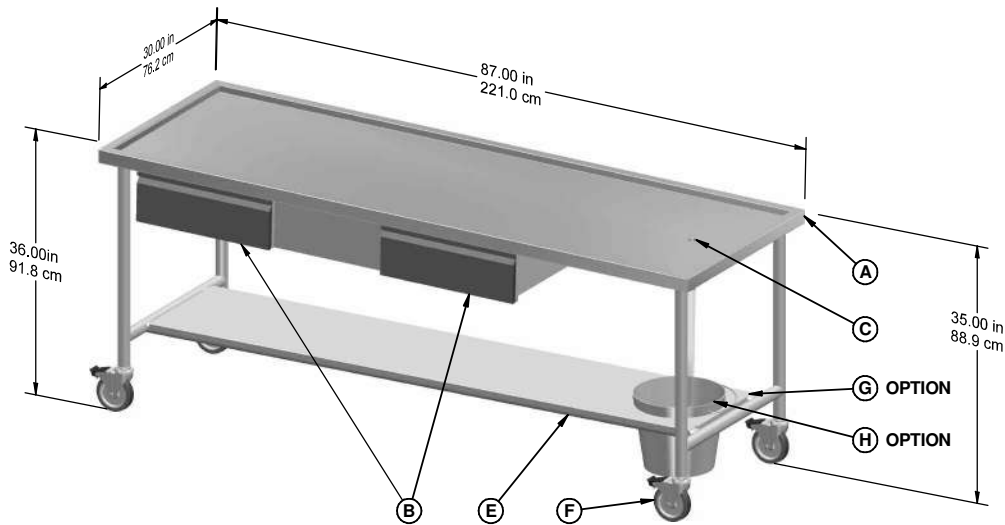
Casters: Casters are 5" diameter with heavy duty swivel wheels complete with swivel locks and wheel brakes.

10

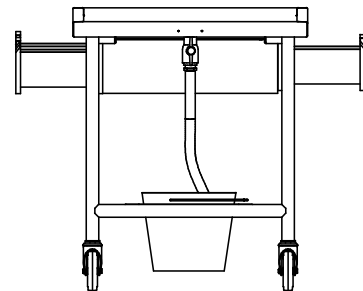
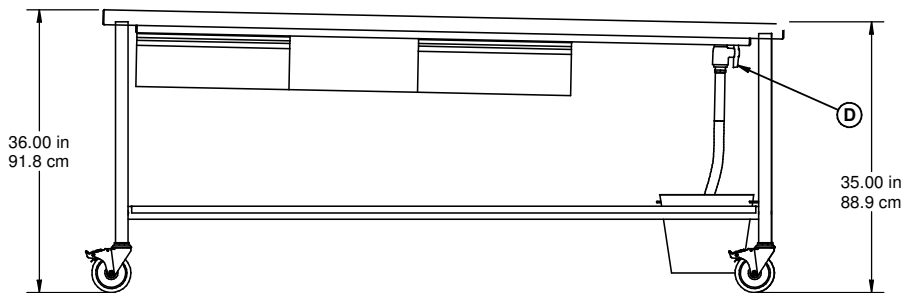
11

HA400 Dissection Table

Recessed Creased Top with Drawers



One of three drawers 15" L x 20" W x 5" D



STANDARD FEATURES:

- A Stainless Steel Top
- B (3) Stainless Steel Drawers
- C Drain Hole
- D PVC Ball Valve
- E Heavy-Duty Frame
- F Casters w/Wheel Brake – Swivel Lock

OPTIONAL FEATURES:

- G HO024 – Stainless Steel Shelf
- H BA005 – Drain Bucket
- HO005 – Post Style Leg Rests (Not Shown)
- HO006 – Post Style Book Holder (Not Shown)



HB100 Dissection Table with Hinged Cover

1

2

3

4

5

6

7

8

9

10

11



HB100 Dissection Table with hinged cover

The HB100 Dissection Table is designed for the dissection of cadavers and includes a recessed top which eliminates the need for a body tray. Built with a 1" slope the table drains toward one end and into an optional drain bucket which is neatly suspended under the frame. Two hinged covers are provided to securely conceal the cadaver in a discrete manner. During the dissection the hinged covers lock neatly and securely under the table and out of the way. A PVC stop valve is located under the drain to stop the flow of fluids while emptying the bucket.



HB100 Standard Features

Table Top: The table top features fully welded construction fabricated of 14 gauge stainless steel with a #4 satin finish.

Undercarriage Sub-frame: Heavy-duty undercarriage subframe, "U" channel type design with continuous structural welding. Material utilized is 11 gauge stainless steel.

Casters: Casters are 5" diameter with heavy duty swivel wheels complete with swivel locks and wheel brakes.

Frame: The frame is constructed with four upright legs, two cross leg support tubes and two lateral support tubes. Fabricated of 1-5/8" diameter heavy wall stainless steel tubing with #4 satin finish.

Hood: The hood end caps are provided with continuous welding.

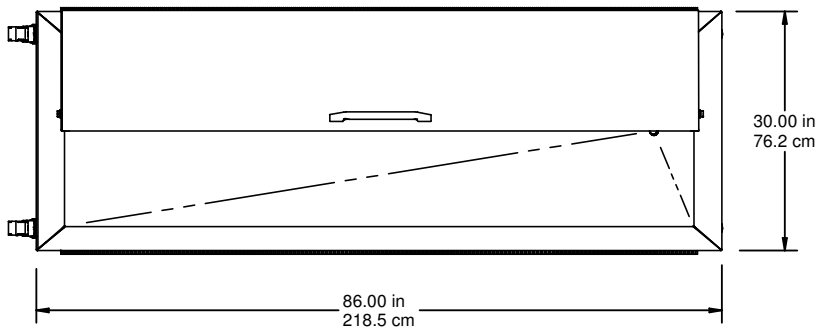
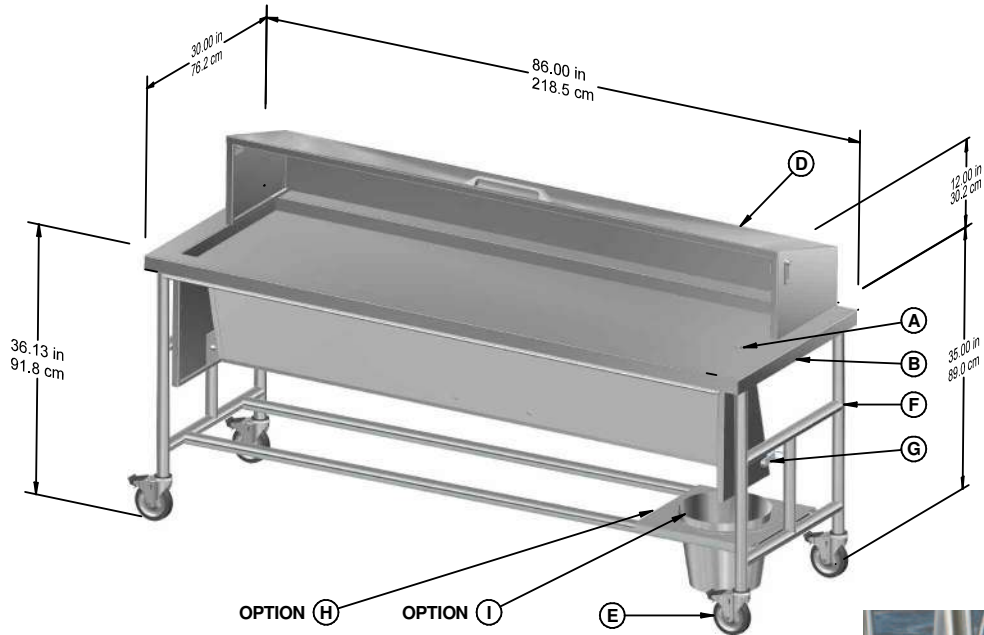
Swing Latches: Swing latches are provided to securely hold the hood open under the table while in use.

ISO: Quality Management System in compliance with ISO 9001:2008 and applies: Design, Engineering, Manufacturing and Installation of Equipment Distribution of Supplies for Morgue, Pathology, Histology and Necropsy Applications.

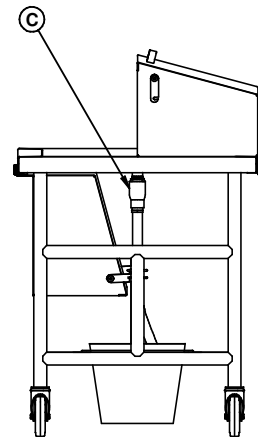
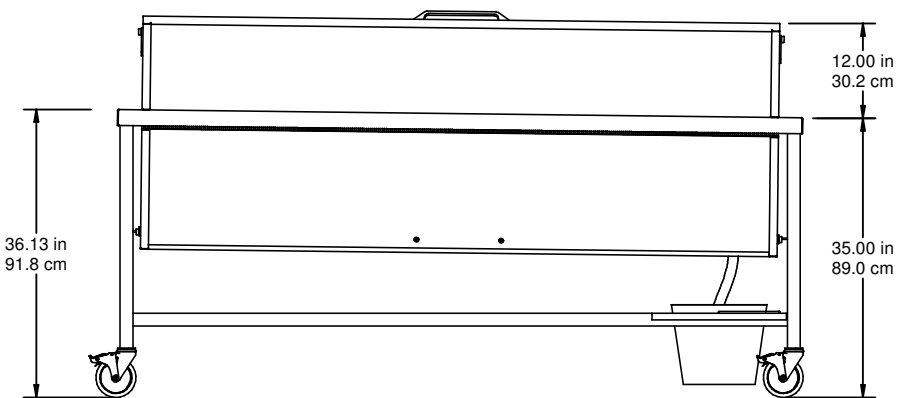
HB100 Optional Features

Description	Product No.
Bridge Style Leg Rests	HO001
Bridge Style Book Stand	HO002
Bucket Holder	HO003
Post Style Leg Rests	HO005
Post Style Book Holder	HO006
Accessories	
Stainless Steel Bucket	BA005
Rubber Headrest	BA025
Plastic Headrest	BA026

HB100 Dissection Table with Hinged Cover



Shown with optional HO003 Bucket Holder and BA005 Stainless Steel Bucket



STANDARD FEATURES:

- A Drain Hole
- B Stainless Steel Table Top
- C PVC Drain Valve
- D Stainless Steel Hood
- E Heavy-Duty Casters w/Brake – Swivel Lock
- F Stainless Steel Frame
- G Stainless Steel Swing Latches (4 each)

OPTIONAL FEATURES:

- H HO003 – Bucket Holder
- I BA005 – Drain Bucket
- HO005 – Post Style Leg Rests (Not Shown)
- HO006 – Post Style Book Holder (Not Shown)



HB400 Dissection

Downdraft Table with Baffle Ventilation System

1

2

3

4

5

6

7

8

9

10

11



The HB400 is a downdraft table designed for the dissection of cadavers. The downdraft system provides a safe environment, completely removing formalin vapors down and away from the user. The hinged cover will securely and discreetly conceal the cadaver. During the dissection, the hinged covers lock neatly and securely under the table and out of the way. The dissecting table has a removable perforated grid plate and a recessed top, eliminating the need for a body tray. Built with a positive slope, the table drains toward one end into a bucket (optional) under the table frame. A PVC stop valve, located under the drain, will stop the flow of fluids while emptying the bucket.

Ventilation is connected into the building ventilation system either on one end or both ends of the dissecting table. **You must chose one system**, either one baffle (single ducting exhaust - HB420) or two baffles (dual duct connection - HB410) The connection can be made to a flexible duct that extends from the ceiling or floor.

HB400 Standard Features

Table top downdraft: Designed to hold a fitted perforated grid plate, the table top features fully welded construction and a heavy-duty undercarriage subframe.

Frame: The sturdy frame is fabricated from 1-5/8" diameter, heavy wall stainless steel tubing and includes two cross leg supports and two lateral supports. Material finish: #4 satin.

Casters: Casters are 5" diameter with heavy duty swivel wheels complete with swivel locks and wheel brakes

Hood: The hood end caps are finished with continuous welding.

Undercarriage sub-frame: "U" channel type design using 11 gauge stainless steel and continuous welded seams.

Duct: Chose one system. HB410 (dual duct) or HB420 (single duct).



HB400 Dissection Table
(shown with single duct HB420)

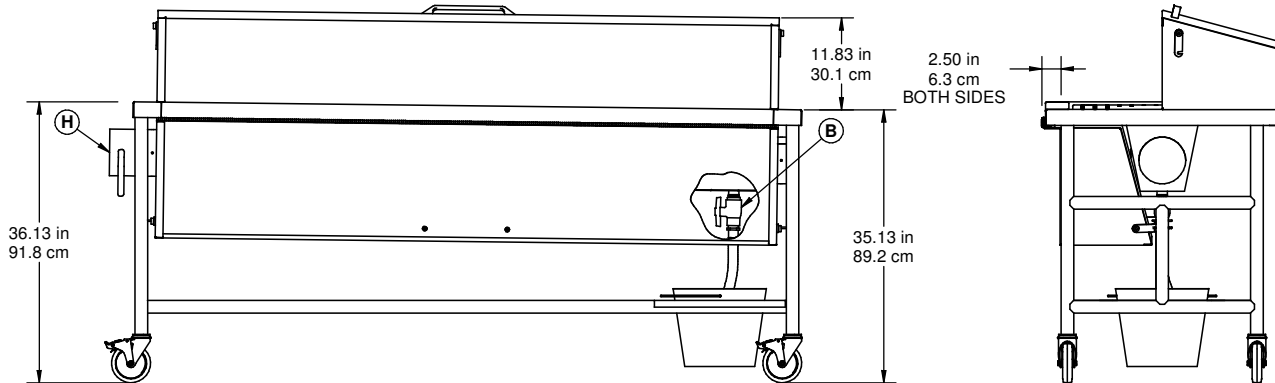
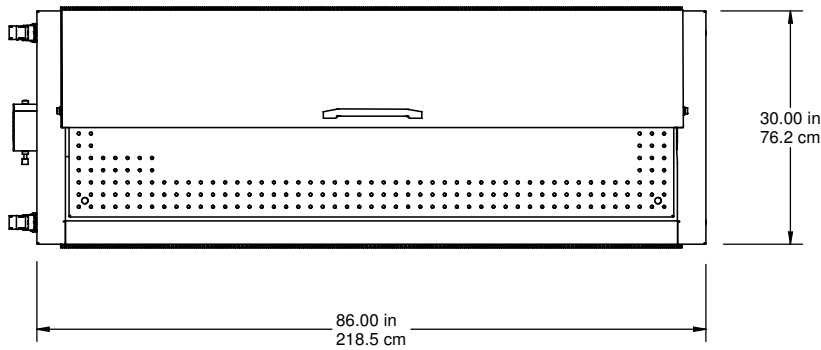
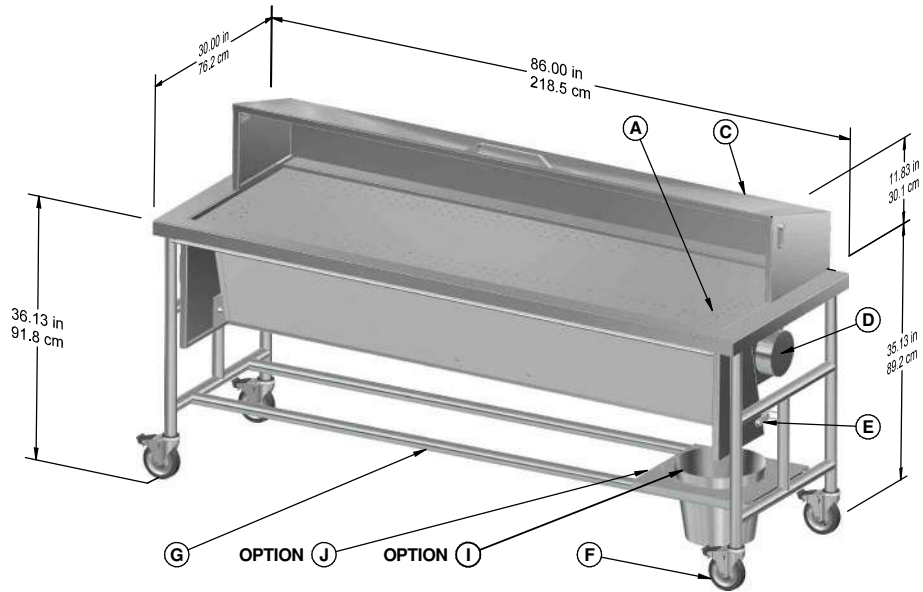
ISO: Quality Management System in compliance with ISO 9001:2008 and applies: Design, Engineering, Manufacturing and Installation of Equipment Distribution of Supplies for Morgue, Pathology, Histology and Necropsy Applications.

HB400 Optional Features

Description	Product No.
Bridge Style Leg Rests	HO001
Bridge Style Book Stand	HO002
Bucket Holder	HO003
Post Style Leg Rests	HO005
Post Style Book Holder	HO006
Accessories	
Stainless Steel Bucket	BA005
Rubber Headrest	BA025
Plastic Headrest	BA026

HB400 Dissection

Downdraft Table with HB420 Baffle Ventilation System



STANDARD FEATURES:

- A Perforated Grid Plate
- B PVC Drain Valve
- C Stainless Steel Hood
- D Ventilation Stub
- E Hood Swing Latch
- F Heavy-Duty Caster w/Wheel Brake – Swivel Lock
- G Heavy-Duty Cart Frame
- H Baffle Ventilation Connection (CHOOSE ONE)
(HB410 Dual Vent Connection)
(HB420 Single Vent Connection)

OPTIONAL FEATURES:

- I BA005 – Drain Bucket
- J HO003 – Bucket Holder



HB450 Dissection Table - Elevating

Elevating Downdraft Table with Baffle Ventilation System

1

2

3

4

5

6

7

8

9

10

11



The HB450 is an elevating Downdraft Dissection Table designed for the dissection of cadavers. Elevation is achieved using a simple handcrank. Elevation range is from 31" - 44". The Downdraft system provides a safe environment, completely removing formalin vapors down and away from the user. The dissecting table has a recessed top which eliminates the need for a body tray. Two hinged covers are provided to securely and discreetly conceal the cadaver. During the dissection the hinged covers lock neatly and securely under the table and out of the way. Built with a positive slope the table drains toward one end into a bucket (optional) neatly suspended under the frame. A PVC stop valve is located under the drain to stop the fluids while emptying the bucket. Ventilation is connected into the building ventilation system on one end of the dissecting table. The table is available with single duct connection only (HB420). The connection can be made to a flexible duct that extends from the ceiling or floor.

Frame: The frame is constructed with four upright legs, two cross leg support tubes and two lateral support tubes. Fabricated of 1-5/8" diameter heavy wall stainless steel tubing with a #4 satin finish.

Hood: The hood end caps are finished with continuous welding.

ISO: Quality Management System in compliance with ISO 9001:2008 and applies: Design, Engineering, Manufacturing and Installation of Equipment Distribution of Supplies for Morgue, Pathology, Histology and Necropsy Applications.

HB450 Optional Features

Description	Product No.
Bridge Style Leg Rests	HO001
Bridge Style Book Stand	HO002
Accessories	
Rubber Headrest	BA025
Plastic Headrest	BA026

HB450 Standard Features

Table Top Downdraft: Designed to hold a specially formed perforated grid plate, the table top features fully welded construction with heavy-duty undercarriage subframe.

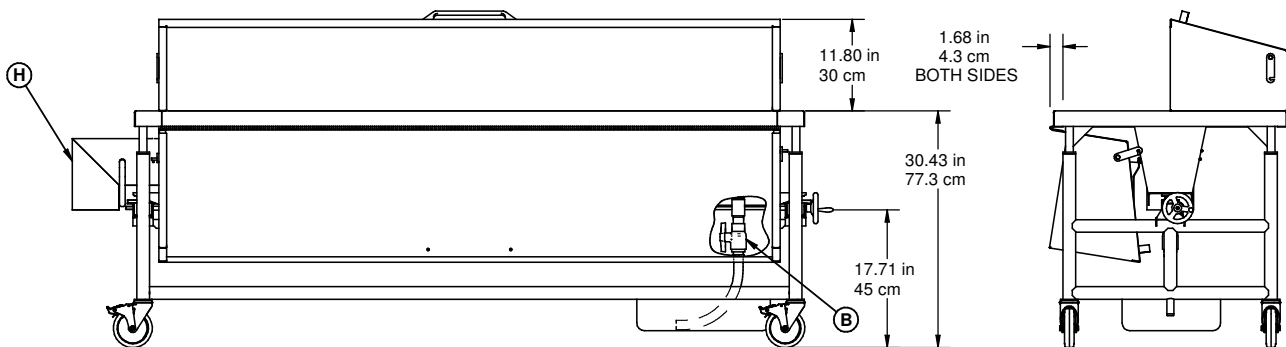
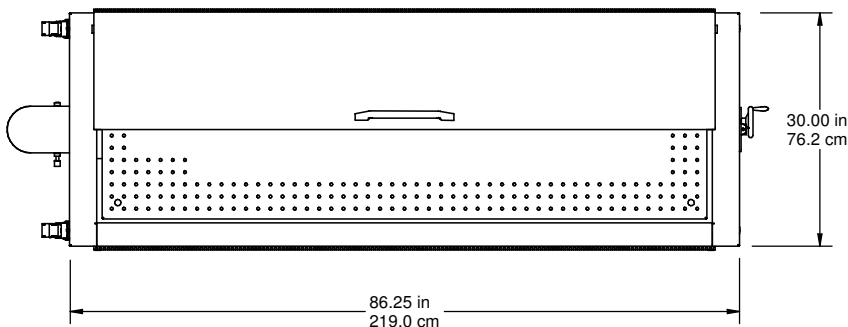
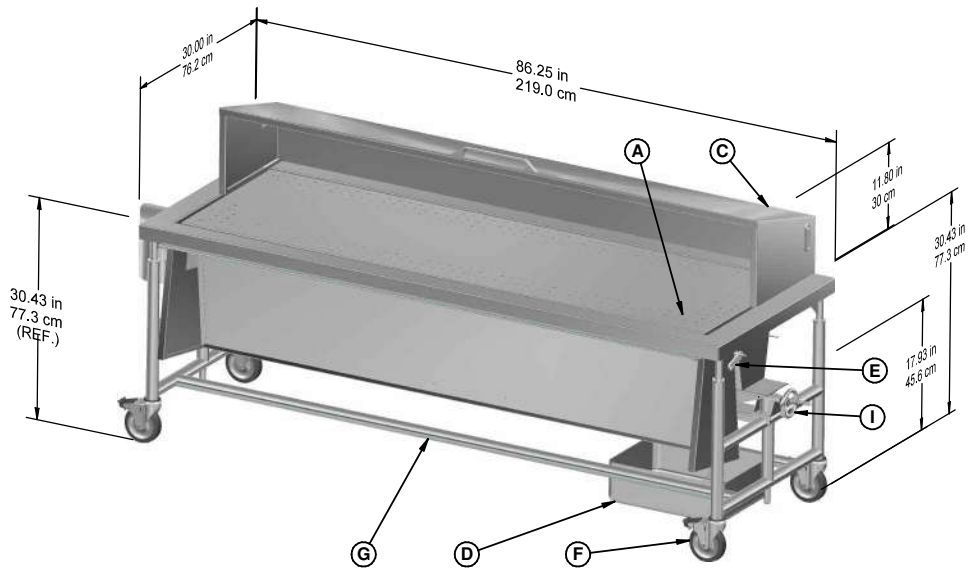
Undercarriage Sub-frame: "U" channel type design with continuous structural welding. Material utilized is 12 gauge stainless steel.

Casters: Casters are 5" diameter with heavy duty swivel wheels complete with swivel locks and wheel brakes.

Drain Pan: Removable stainless steel drainage pan.

HB450 Dissection Table - Elevating

Elevating Downdraft Table with Baffle Ventilation System



STANDARD FEATURES:

- A Perforated Grid Plate
- B Drain Valve
- C Stainless Steel Hood
- D Removable Drain Pan
- E Hood Swing Latch
- F Heavy-Duty Caster w/Wheel Brake – Swivel Lock
- G Heavy-Duty Cart Frame
- H 6" Ventilation Stub
- I Elevating Crank Wheel



HB300 Dissection Table

Downdraft Table with Tilt-Elevating

1

2

3

4

5

6

7

8

9

10

11



The HB300 dissection table is designed for dissection of cadavers and includes a recessed top which eliminates the need for a body tray. The downdraft system provides a safe environment, completely ventilating formalin vapors down and away from the user. Ventilation is simply tied into the ceiling, floor or wall using a flexible hose at one end of the dissecting cart. With the built in slope, the table drains toward one end. A PVC stop valve is included. Stainless steel with a #4 satin finish is used throughout unless otherwise specified. The elevating range is 30-1/2" - 44-1/2".

regained to match the adjacent factory mill #4 satin finish. Unexposed welds are brushed free of burrs and discoloration.

Ventilation: Ventilation is connected to the building ventilation system on one end of the dissecting table. The connection can be made to a flexible duct that extends from the ceiling or floor, always opposite the drain.

ISO: Quality Management System in compliance with ISO 9001:2008 and applies: Design, Engineering, Manufacturing and Installation of Equipment Distribution of Supplies for Morgue, Pathology, Histology and Necropsy Applications.

HB300 Standard Features

Table Top Downdraft: The table top is fabricated of 14 gauge type 304 stainless steel with a #4 satin finish. The top is 30" x 86" with a 2" recessed area. The 24" x 79" recessed area is designed to accept the perforated grid plates. The lower surface of the tabletop is the downdraft structure. The table top can be flat or sloped to various angles. The drain is no smaller than 1" NPT with a welded-in-place drain spout. The drain valve is a full 1" ball type PVC valve complete with serrated hose fitting.

Foot Controls: Dual side mounted foot controls allow for almost effortless elevating on either side. Dual locking levers lock all the wheels simultaneously from either end. The dissecting table top can be lowered in height to 31-1/4".

Undercarriage Subframe: The undercarriage subframe is fabricated of 11 gauge type 304 stainless steel. The "U" channel type design completely encases the recessed area of the table top. Continuous welds on all adjoining pieces. The structure can be elevated to a height of 45-1/2" high.

Perforated Grid Plates: The perforated grid plate is fabricated of 14 gauge type 304 stainless steel with a #4 satin finish. The grid is perforated with 1/2" diameter holes on square centers as shown in the drawing.

Casters: Portable units are provided with 8" diameter casters. Each wheel is heavy duty, all swivel type casters, complete with swivel lock and/or wheel brake. The wheel material is impervious to embalming chemicals.

Fabrication: All welding is TIG type using only stainless steel as a filler media. All exposed welds are ground smooth and

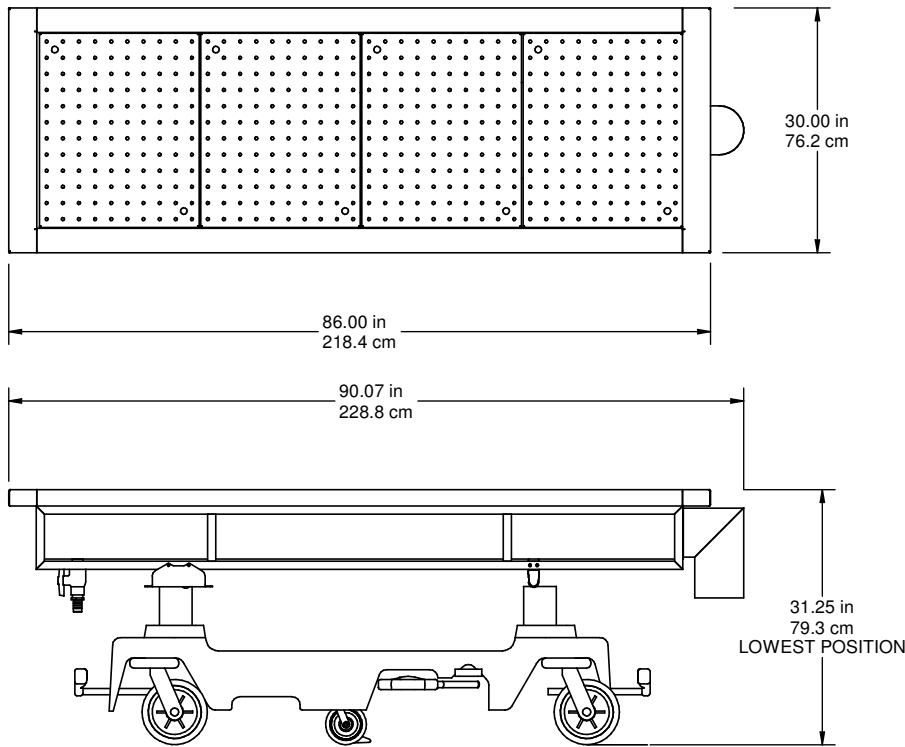
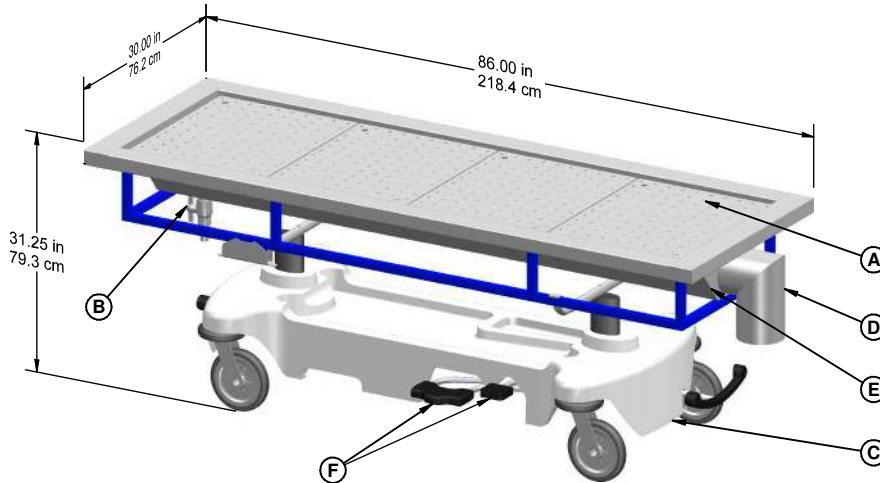
HB300 Optional Features

Description	Product No.
Bridge Style Leg Rests	HO001
Bridge Style Book Stand	HO002
Accessories	
Plastic Headrest	BA026
Rubber Headrest	BA025



HB300 Dissection Table

Downdraft Table with Tilt-Elevating



- STANDARD FEATURES:**
- A Perforated Grid Plates (4 each)
 - B PVC Drain Valve
 - C Elevating Chassis
 - D Ventilation Stub
 - E Ventilation Chamber
 - F Elevation Control Pedals

45.59 in
115.8 cm
HIGHEST POSITION



HD100 Dissection Dip Tank Table

1

2

3

4

5

6

7

8

9

10

11



HD100 shown open

The HD100 Dissection Table Dip Tank is designed to keep cadavers and anatomic specimens fully submerged in a fixative solution for prolonged storage. The HD100 is ideal for anatomy classes at any teaching hospital or university. The tank helps maintain moisture content and the natural condition of stored tissues.

Storage is accomplished by placing cadaver or specimens on the elevating tray and subsequent lowering of tray into fixative solution. Body tray handles control this movement, pivoting to rise or lower tray and are located on either end of tank.

Positive support latches are provided to securely and safely lock the tray and cadaver in the raised position for further examination or study.

HD100 Standard Features

Tank: Tank is constructed with broad flanges, easing the loading and unloading of specimens, while offering extra strength to the tub. The deep well tank is constructed of heavy duty 14 gauge stainless steel and welded to an equally strong 14 gauge tubular frame, ensuring long service life.

Hood: The hood easily pivots to the side while dissection is taking place. Material is 18 gauge stainless steel with a #4 satin finish.

Body Tray Frame: A standard body tray frame is provided which will saddle the body. The corners are open to allow for fluid drainage during dissection. The frame is fabricated of 16 gauge stainless steel with a #4 satin finish.

Frame: The frame is constructed of 1-1/2" square stainless steel tubing with continuous fillet welds. All welds are brushed clean removing any weld burrs or discoloration.

Casters: Casters are 5" diameter with heavy duty swivel wheels complete with swivel locks and wheel brakes.

Fabrication: All welding is TIG type welding with only stainless steel as a filler media. All exposed welds are ground smooth and regreined to match the adjacent factory mill #4 satin finish. Unexposed welds are free of burrs and discoloration.

ISO: Quality Management System in compliance with ISO 9001:2008 and applies: Design, Engineering, Manufacturing and Installation of Equipment Distribution of Supplies for Morgue, Pathology, Histology and Necropsy Applications.

Product Description

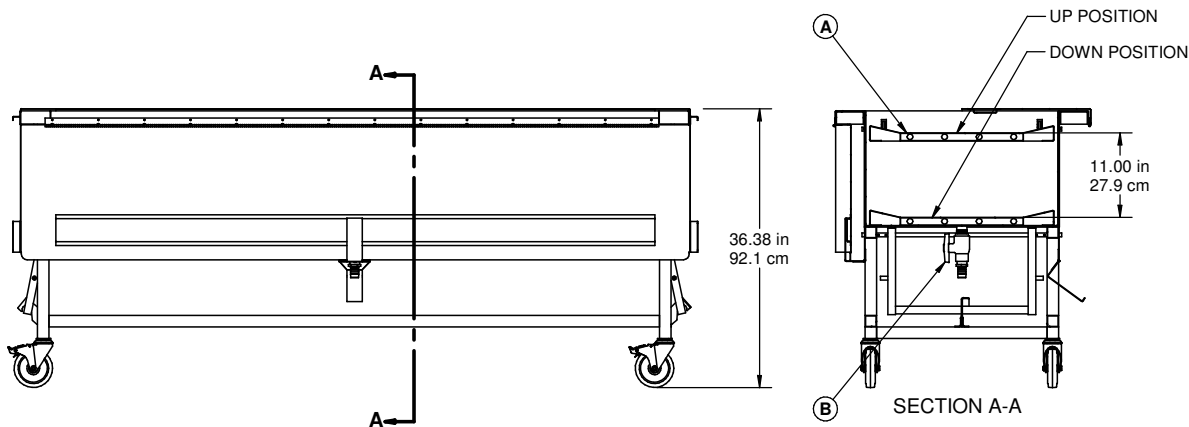
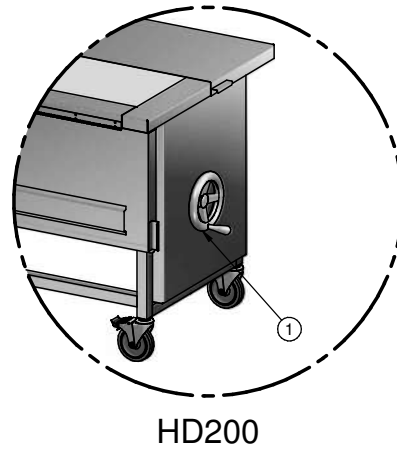
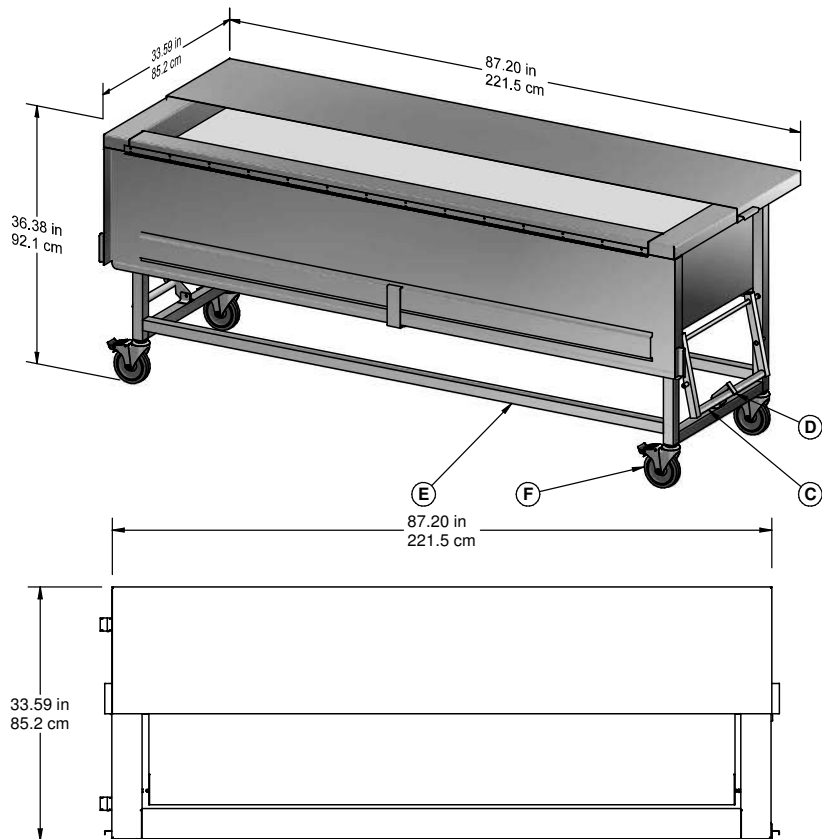
Product No. HD100 - Lever Elevating System

Product No. HD200 - Hand Crank Elevating System

HD100 Optional Features

Description	Product No.
Bridge Style Leg Rests	HO001
Bridge Style Book Holder	HO002
Scale Stand	HO029

HD100 Dissection Dip Tank Table



STANDARD FEATURES:

- A Body Bed
- B PVC Drain Valve
- C Manual Bar Elevation, To Raise Body
- D Manual Bar Elevating Arm Latch (2 Each)
- E Heavy-Duty Cart Frame
- F Caster with Heavy-Duty Swivel Locks and Brakes

HD200 FEATURE:

- 1 Hand Crank Elevation, To Raise Body



HF100 & HF200 Dissection Stations

DR Organ Rinse Station

1

2

3

4

5

6

7

8

9

10

11



Eight compartment sink

This dissecting table allows for multiple dissecting boards to be placed next to each other directly in front of the subdivided long rinse sink. In front of the dissecting boards is an eight compartment trough type sink with removable dividers to allow the separation of organs during the rinsing process.

The combined rinsing and dissecting set-up eliminates transporting wet tissue from a rinsing area to a separate dissecting area. In addition, the removable dividers make it quite simple to enlarge the compartments for rinsing larger organ blocks or even entire autopsy cases whenever extra rinsing space is needed.

HF Series Standard Features

Table Top: 2" recessed construction with four inch high splash and sink well. Made of 14 gauge stainless steel with a #4 satin finish.

Sink Well: Eight compartment sink with removable perforated dividing panels, sloped toward one end. Sink well provided with overflow drain which will accommodate 7" of fluid.

Frame: 1-1/2" heavy-duty square stainless steel tubing with #4 grained finish. Welded construction with adjustable bullet feet.

Faucet with Swing Spout: Hot and cold water fixtures have wrist blade handles and goose neck spouts. Vacuum breaker protected.

HF Series Optional Features

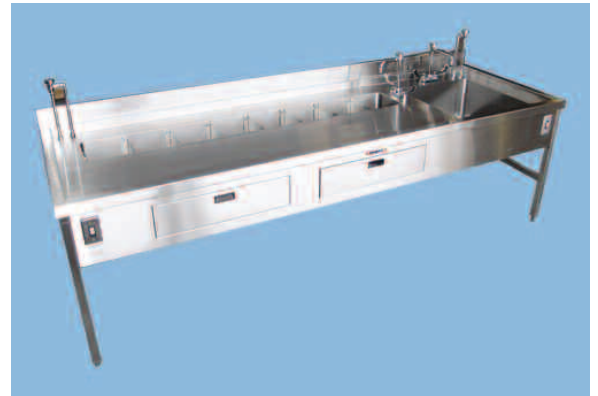
1 HP Disposal	BL800
Hand Spray Rinse	HO007
Scale Stand	HO029

Product No. HF100

Product No. HF200 - Additional large sink and drawers

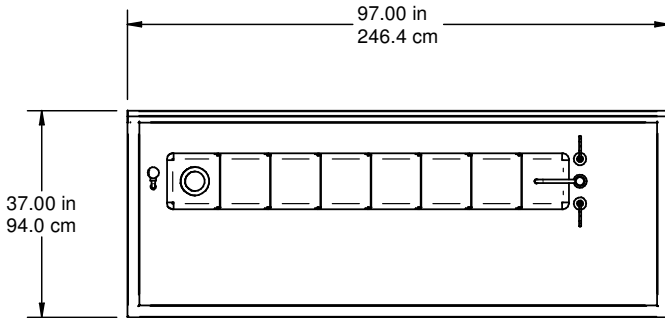
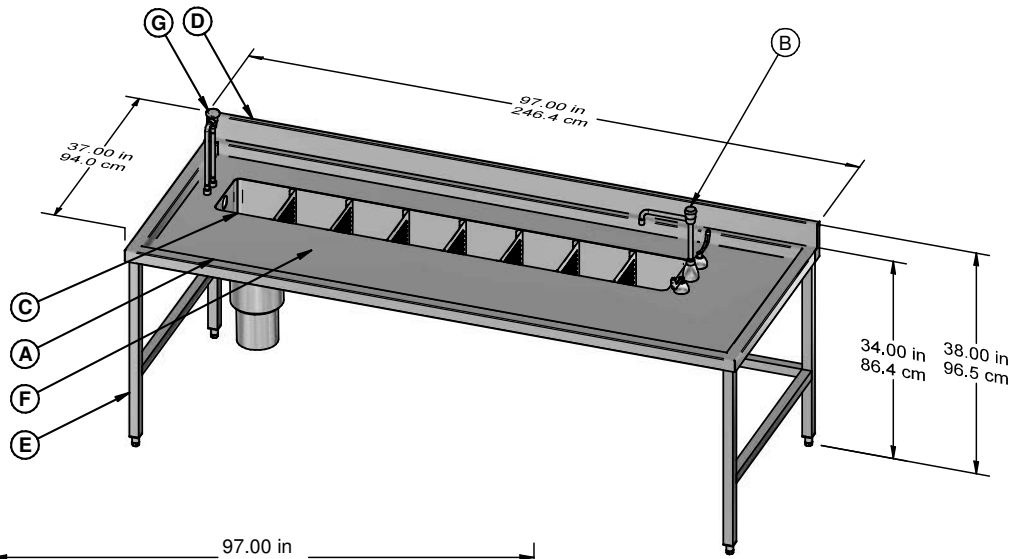


HF200 Subdivided sink with removable dividers



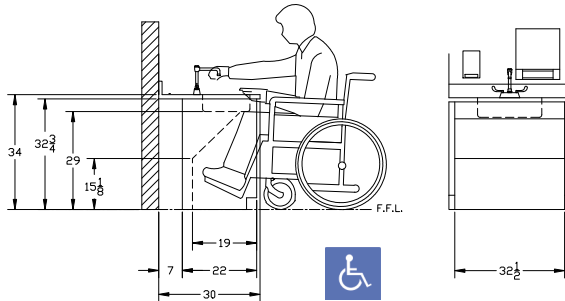
HF100 Dissection Station

DR Organ Rinse Station



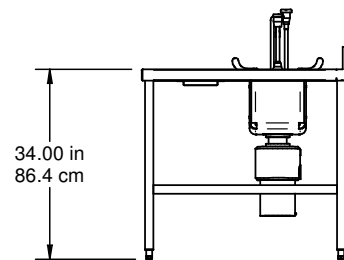
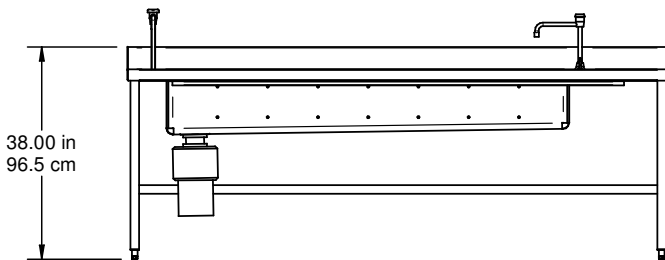
STANDARD FEATURES

- A Table Top
- B Fixture w/Swing Spout (2)
- C Trough Sink w/dividers
- D 4" Backsplash
- E Leg Frame
- F Cutting Board Work Area
- G Vacuum Breakers



OPTIONAL FEATURES

- HO007 Hand Spray
- HO029 Scale Stand
- BL800 1 HP Disposal



HF200 Dissection Station

1

2

3

4

5

6

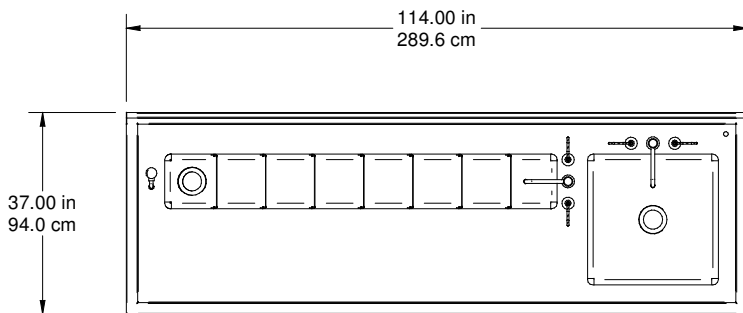
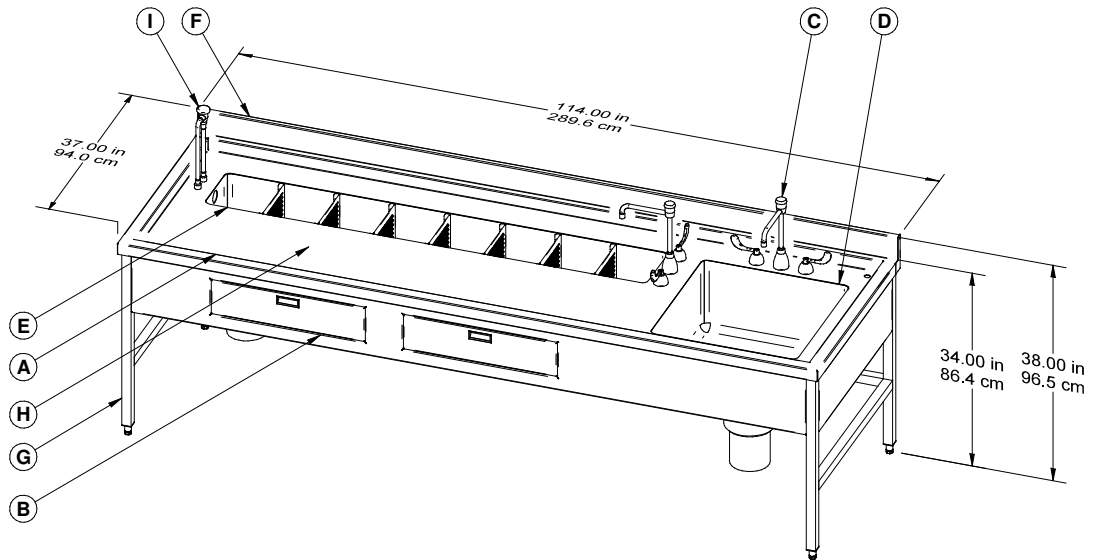
7

8

9

10

11

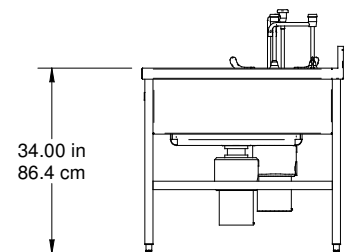
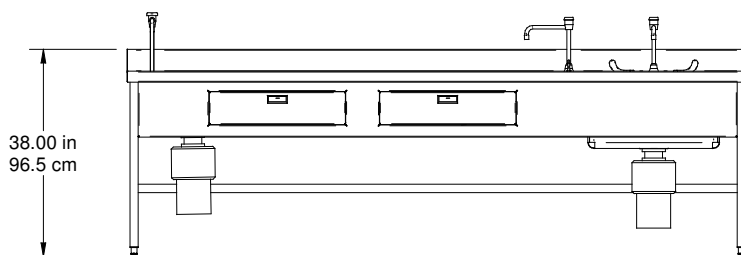


STANDARD FEATURES

- A Table Top
- B Pull-out Instrument Drawer (2)
- C Fixture w/Swing Spout (2)
- D Deep Well Sink
- E Trough Sink w/dividers
- F 4" Backsplash
- G Leg Frame
- H Cutting Board Work Area
- I Vacuum Breakers

OPTIONAL FEATURES

- HO007 Hand Spray
- HO029 Scale Stand
- BL800 1 HP Disposal



TRANSPORT AND HANDLING

Chapter 8



IA Series Cantilever Racks	318-319
IB Series Cantilever Racks	320-321
IE100 Mortuary Rack	322-323
Mortuary Racks	324-328
Body Trays	329
IF Series Cadaver Transporters.	330-331
IG Series Portable Body/Cremation Storage Racks	332-333
JA500 Cadaver Carrier	334-335
JA600 Covered Cadaver Carrier	336-337
Cadaver Covers.	338
JA620 Elevating Cadaver Carrier	339
JA630 Series Roller Style Cadaver Carrier.	340-341
JA300 Single Body Tray Carrier	342
JB Series Storage Racks	343
JD950/955 Series Cadaver Lifts	344-347
JD Series Cadaver Lift Tray Roller Pallet	348
JD Series Dual Function Pallet System	349
JD710/715 Series Cadaver Lifts.	350
Body Trays	351
JD Series Hydraulic Fork Lifts	352-353
JD3000 Overhead Body Lift	354-355
Accessories For JD Series Lifts	356

IA Series Heavy-Duty Cantilever Racks

Adjustable Cantilever Storage Racks

1

2

3

4

5

6

7

8

9

10

11



IA100 Cantilever Rack shown with JC100 Cart Tops

Mopec's adjustable cantilever storage rack is designed to support up to 500 pounds per tier. The racks and assemblies adjust easily in 3" increments for a wide variety of heights. The storage rack is used along with Mopec's body trays or autopsy cart tops which can be placed on the rack with a fork-type lift. All stainless steel construction.

Mopec Racks Are Made to Last!



IA Racks

Strongest Rack Available on the Market

IA Series Standard Features

Construction: Cantilever arms, vertical arms and cross supports are fabricated of 11 gauge stainless steel with double flange construction for maximum support.

Pads: Adjustable leveling pads.

Modular Construction: Modular construction for easy handling and assembly.

ISO: Quality Management System in compliance with ISO 9001:2008 and applies: Design, Engineering, Manufacturing and Installation of Equipment Distribution of Supplies for Morgue, Pathology, Histology and Necropsy Applications.

IA Series Cantilever Storage Racks (3 Tier)

Description & Capacity	Cantilever Arm Length Arm Dim.	Overall Depth Base Dim.	Storage	Capacity	Prod. #
Autopsy Cart Top Storage 3 Tier	31.1" (79 cm)	36" (91.4 cm)	GA100, GA300, GA600 JC100, JC101, JC200	3 Cart Tops	IA300
Body Tray Storage 3 Tier	22" (55.9 cm)	26" (66.0 cm)	JC100, JC200	3 Body Trays	IA301

IA Series Cantilever Storage Racks (4 Tier)

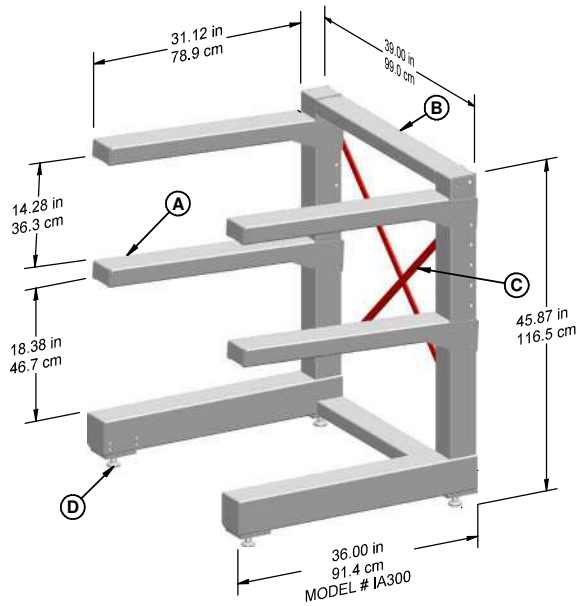
Description & Capacity	Cantilever Arm Length Arm Dim.	Overall Depth Base Dim.	Storage	Capacity	Prod. #
Autopsy Cart Top Storage 4 Tier	31.1" (79 cm)	36" (91.4 cm)	GA100, GA300, GA600 JC100, JC101, JC200	4 Cart Tops	IA100
Body Tray Storage 4 Tier	22" (55.9 cm)	26" (66.0 cm)	JC100, JC200	4 Body Trays	IA101

IA Series Cantilever Storage Racks (5 Tier)

Description & Capacity	Cantilever Arm Length Arm Dim.	Overall Depth Base Dim.	Storage	Capacity	Prod. #
Autopsy Cart Top Storage 5 Tier	31.1" (79 cm)	36" (91.4 cm)	GA100, GA300, GA600 JC100, JC101, JC200	5 Cart Tops	IA200
Body Tray Storage 5 Tier	22" (55.9 cm)	26" (66.0 cm)	JC100, JC200	5 Body Trays	IA201

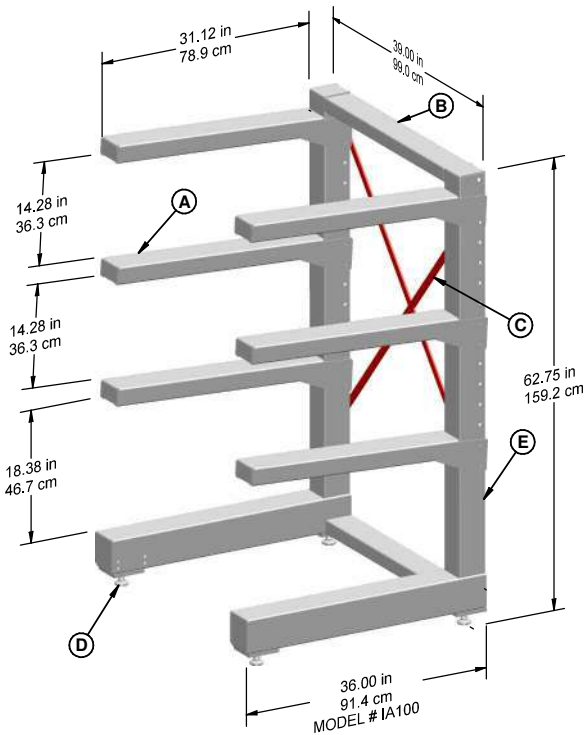
IA Series Heavy-Duty Cantilever Racks

Adjustable Cantilever Storage Racks



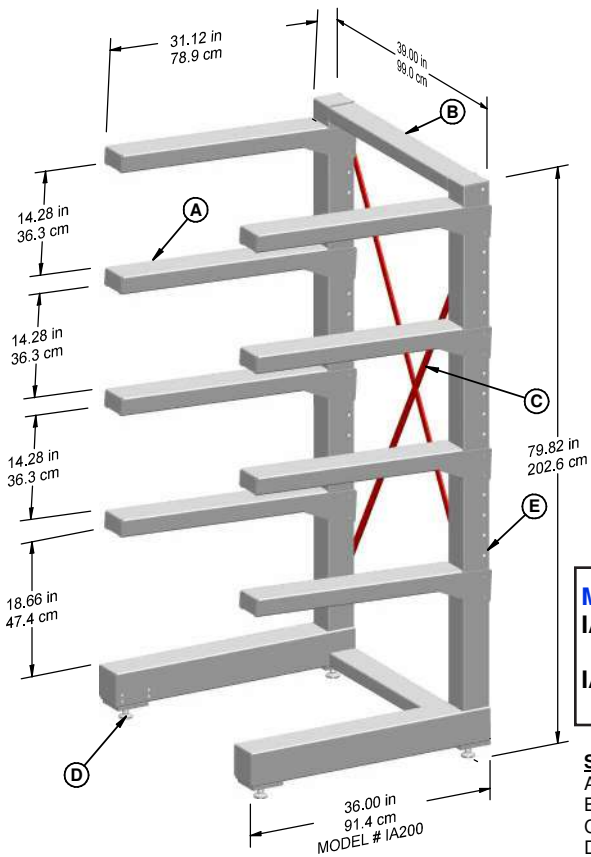
Model	Arm Dim.	Base Dim.
IA300	31.12 in. 78.7 cm	36 in. 88.9 cm
IA301	22 in. 55.9 cm	30 in. 66 cm

STANDARD FEATURES:
 A Adjustable Cantilever Arms (2 each)
 B Cross Supports (2 each)
 C Cross Straps (2 each)
 D Adjustable Leveling Pads (4 each)
 E Upright Support with Adjustment Holes



Model	Arm Dim.	Base Dim.
IA100	31.12 in. 78.7 cm	36 in. 88.9 cm
IA101	22 in. 55.9 cm	30 in. 66 cm

STANDARD FEATURES:
 A Adjustable Cantilever Arms (3 each)
 B Cross Supports (2 each)
 C Cross Straps (2 each)
 D Adjustable Leveling Pads (4 each)
 E Upright Support with Adjustment Holes



Model	Arm Dim.	Base Dim.
IA200	31.12 in. 78.7 cm	36 in. 88.9 cm
IA201	22 in. 55.9 cm	30 in. 66 cm

STANDARD FEATURES:
 A Adjustable Cantilever Arms (4 each)
 B Cross Supports (2 each)
 C Cross Straps (2 each)
 D Adjustable Leveling Pads (4 each)
 E Upright Support with Adjustment Holes

IB Series Heavy-Duty Portable Cantilever Racks

Adjustable Cantilever Storage 4 Tier

1

2

3

4

5

6

7

8

9

10

11



IB101 Shown with JC100 Body Trays

The cantilever storage rack is a versatile economical means of vertical storage of multiple cadavers. These adjustable cantilever racks are designed to support up to 500 pounds per tier. The racks and assemblies adjust easily in 3" increments for a wide variety of heights. The storage rack is used along with body trays or autopsy cart tops which can be placed on the rack using a fork type lift. Manufactured in stainless steel, these racks are designed for heavy-duty use.

Nobody Builds a Portable Rack as Robust as Mopec!

ISO: Quality Management System in compliance with ISO 9001:2008 and applies: Design, Engineering, Manufacturing and Installation of Equipment Distribution of Supplies for Morgue, Pathology, Histology and Necropsy Applications.



IB Series Heavy-Duty Portable Cantilever Racks

Adjustable Cantilever Storage 3 and 4 Tier

Model	Arm Dim.	Base Dim.
IB300	31.12 in. 78.7 cm	36 in. 88.9 cm
IB301	22 in. 55.9 cm	30 in. 66 cm

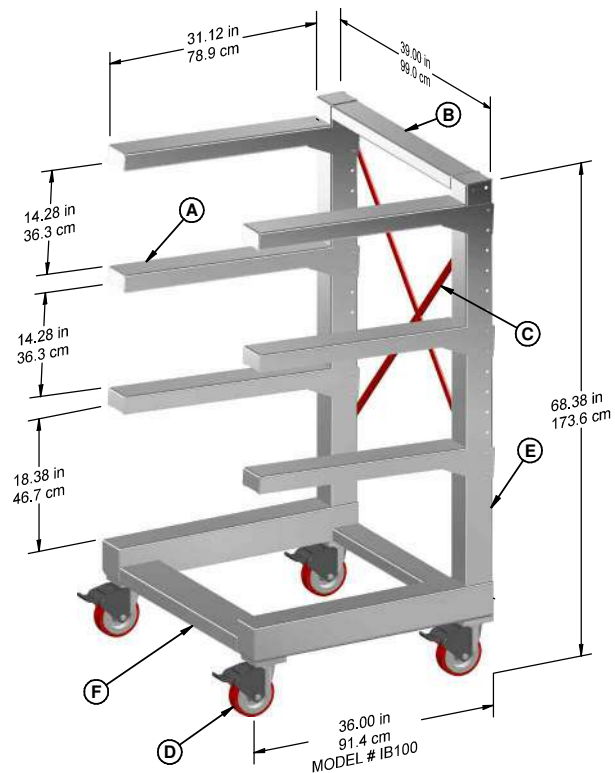
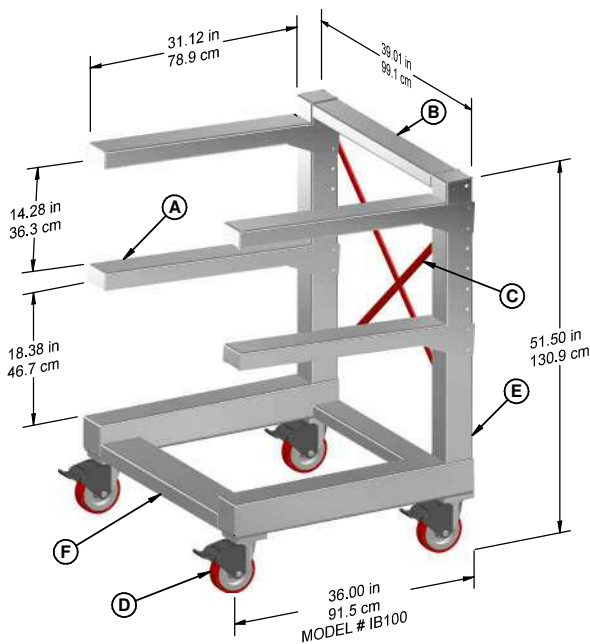
STANDARD FEATURES:

- A Adjustable Cantilever Arms (2 each)
- B Cross Supports (2 each)
- C Cross Straps (2 each)
- D Caster with Swivel & Brake (4 each)
- E Upright Support with Adjustment Holes
- F Tie Bar Front (1 each)

Model	Arm Dim.	Base Dim.
IB100	31.12 in. 78.7 cm	36 in. 88.9 cm
IB101	22 in. 55.9 cm	30 in. 66 cm

STANDARD FEATURES:

- A Adjustable Cantilever Arms (3 each)
- B Cross Supports (2 each)
- C Cross Straps (2 each)
- D Caster with Swivel & Brake (4 each)
- E Upright Support with Adjustment Holes
- F Tie Bar Front (1 each)



IB Series Cantilever Storage Racks (3 Tier - Portable)

Description & Capacity	Cantilever Arm Length Arm Dim.	Overall Depth Base Dim.	Storage	Capacity	Prod #
Autopsy Cart Top Storage 3 Tier	31.1" (78.9 cm)	36" (91.5 cm)	GA100, GA300, GA600 JC100, JC101, JC200	3 Cart Tops	IB300
Body Tray Storage 3 Tier	22" (55.8 cm)	30" (76.2 cm)	JC100, JC200	3 Body Trays	IB301

IB Series Cantilever Storage Racks (4 Tier - Portable)

Description & Capacity	Cantilever Arm Length Arm Dim.	Overall Depth Base Dim.	Storage	Capacity	Prod #
Autopsy Cart Top Storage 4 Tier	31.1" (78.9 cm)	36" (91.5 cm)	GA100, GA300, GA600 JC100, JC101, JC200	4 Cart Tops	IB100
Body Tray Storage 4 Tier	22" (55.8 cm)	30" (76.2 cm)	JC100, JC200	4 Body Trays	IB101



IE Series Mortuary Rack

1

2

3

4

5

6

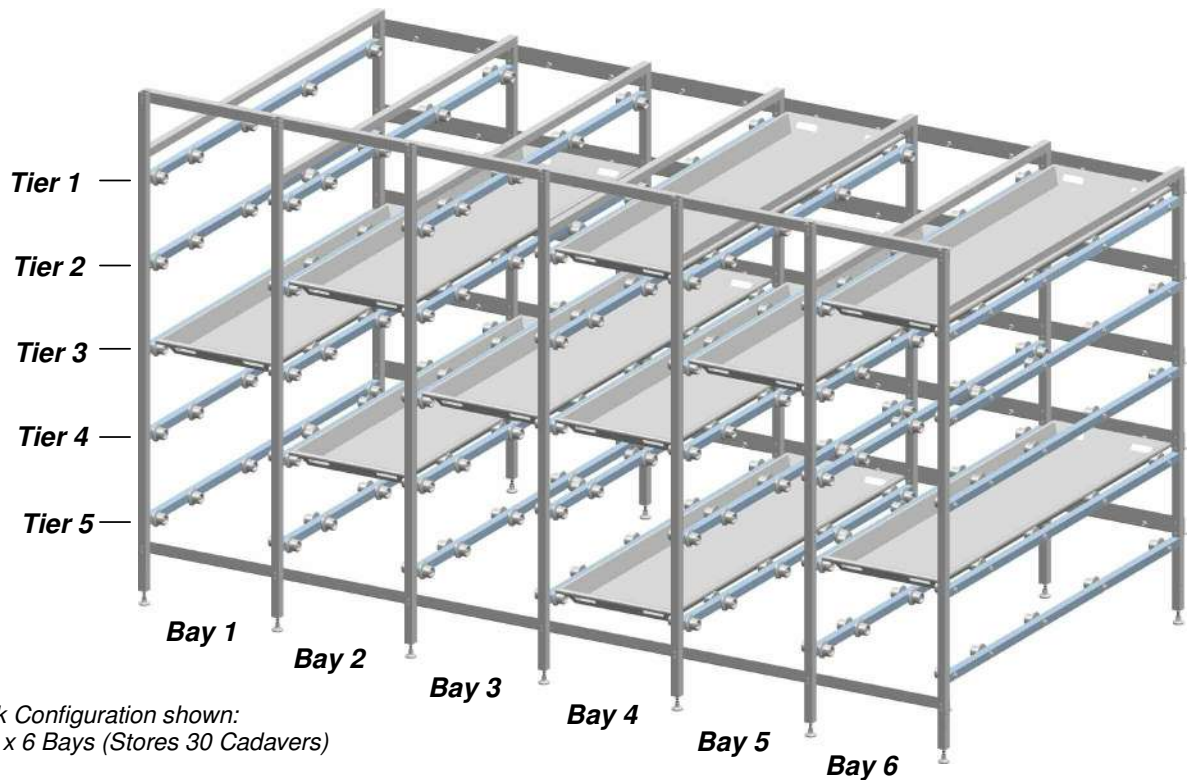
7

8

9

10

11



IE Rack Configuration shown:
5 Tiers x 6 Bays (Stores 30 Cadavers)

The IE Series Mortuary Rack is an economical and efficient means of mass storage of cadavers. The standard mortuary rack configuration is five body high x the specified number of bays for lateral storage expansion, although you can order any configuration of bays and tiers. The rack is designed to accept standard size roller type body trays, Mopec Product Numbers JC100, JC101 and GA100. Each Mortuary Rack Storage bay is provided with a roller type body tray. The unit is designed for on-site assembly. No welding is required. Contact a Mopec Representative for more information.

IE Standard Features

Mortuary Rack: The mortuary rack consists of three major components: the post/bearing rail weldment, the rear bumper bars and the front tie bars. The post/bearing rail weldment is made of 11 gauge stainless steel wall tubing with a #2B finish. Each section is modular construction and completely self supporting. Includes adjustable leveling feet.

Rear Bumper & Front Tie Bar: The rear bumper bars and front tie bars are made of heavy-duty stainless steel. Each body storage has two each body tray bumpers.

Roller Wheel: The roller wheel assemblies are comprised of replaceable nylon roller wheel assemblies. Each bay has ten roller wheel assemblies, five per side.

Construction: Components used in the fabrication are stainless steel unless otherwise specified. All welds are a continuous type yielding an approximate radius of 3/16". All welds will be smooth, free of burrs and brushed to remove any discoloration.

Product Description

Product No. IE100 - Fits 23" JC100 body tray

Product No. IE101 - Fits 27" JC101 body tray

Product No. IE200 - Fits 32" GA100 cart top



Custom racks are available. Pediatric rack on wheels shown.

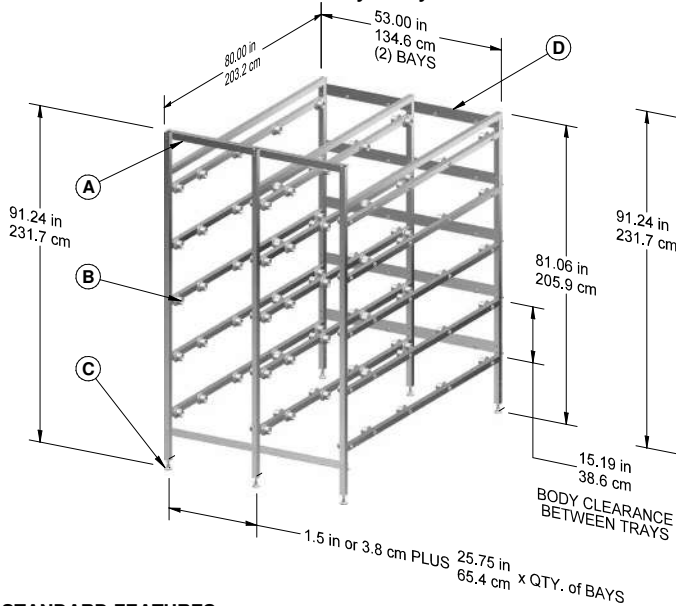
ISO: Quality Management System in compliance with ISO 9001:2008 and applies: Design, Engineering, Manufacturing and Installation of Equipment Distribution of Supplies for Morgue, Pathology, Histology and Necropsy Applications.

IE Series Mortuary Rack

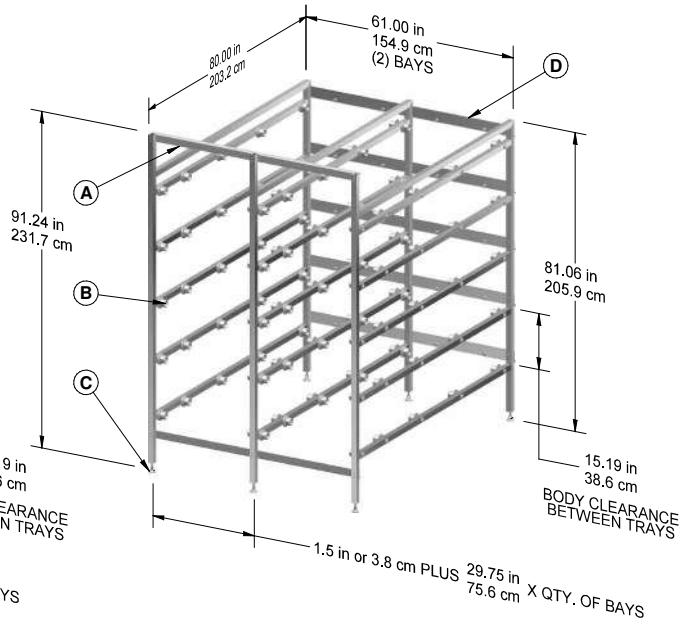


- 1
- 2
- 3
- 4
- 5
- 6
- 7
- 8
- 9
- 10
- 11

For Use With JC100 23" Body Tray



For Use With JC101 27" Body Tray



STANDARD FEATURES:

- A Front Tie Bar
- B Roller Wheel Assembly
- C Leveling Feet
- D Bumper Tie Bar

NOTE: Unit is available in multiple bays and typically in a 5 tier configuration

Mortuary Racks

1

Mortuary Racks Standard Features

- All 1.7 mm stainless steel type 304 construction
- “U” Channel construction for structural integrity
- All fasteners are stainless steel 8mm bolt
- Standard spacing between each tray is 340 mm (13.3”) and spacing between each tray is adjustable to desired height

2

Pediatric Tray Mortuary Rack

The Pediatric Size Mortuary Rack is modular designed to support 4-MW600PT Body Trays. The body trays move in/out without effort gliding on contoured nylon roller wheels that are built with oil impregnated bearings. Tray storage slot is provided with 6-bearing assemblies. Each storage slot and body tray is capable of supporting 280 pounds with a combined 1,120 pounds total weight capacity for the rack.

Roller Wheel Assemblies: Contoured nylon roller wheels built with nylon impregnated bearings and solid steel wear surface. (6) per storage slot. (24) total per rack.

Product No. MW5100PT

3

4

Normal Tray Mortuary Rack

The Normal Size Mortuary Rack is modular designed to support 4-MW600NT Body Trays. The body trays move in/out without effort gliding on contoured nylon roller wheels that are built with oil impregnated bearings. Each storage slot and body tray is capable of supporting 300 pounds with a combined 1,200 pounds total weight capacity for the rack.

Roller Wheel Assemblies: Contoured nylon roller wheels built with nylon impregnated bearings and solid steel wear surface. (10) per storage slot. (40) total per rack.

Product No. MW5100NT

5

6

7

8

Large Tray Mortuary Rack

The Large Size Mortuary Rack is modular designed to support 4-MW750NT Body Trays. The body trays move in/out without effort gliding on contoured nylon roller wheels that are built with oil impregnated bearings. Each storage slot and body tray is capable of supporting 400 pounds with a combined 1,600 pounds total weight capacity for the rack.

Roller Wheel Assemblies: Contoured nylon roller wheels built with nylon impregnated bearings and solid steel wear surface. (10) per storage slot. (40) total per rack.

Product No. MW5100LT

9

10

11

Bariatric Tray Mortuary Rack

The Bariatric Size Mortuary Rack is modular designed to support 4-MW900BT Body Trays. The body trays move in/out without effort gliding on contoured nylon roller wheels that are built with oil impregnated bearings. Each storage slot and body tray is capable of supporting 490 pounds with a combined 1,960 pounds total weight capacity for the rack.

Roller Wheel Assemblies: Contoured nylon roller wheels built with nylon impregnated bearings and solid steel wear surface. (10) per storage slot. (40) total per rack.

Product No. MW5100BT

ISO: Quality Management System in compliance with ISO 9001:2008 and applies: Design, Engineering, Manufacturing and Installation of Equipment Distribution of Supplies for Morgue, Pathology, Histology and Necropsy Applications.



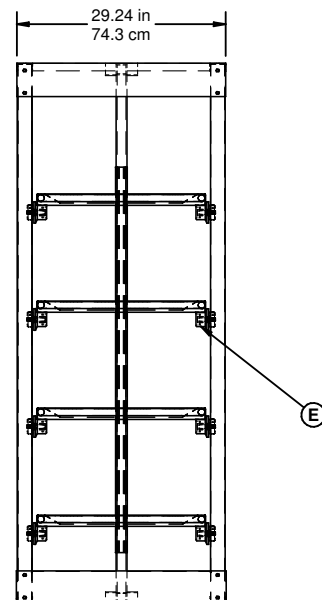
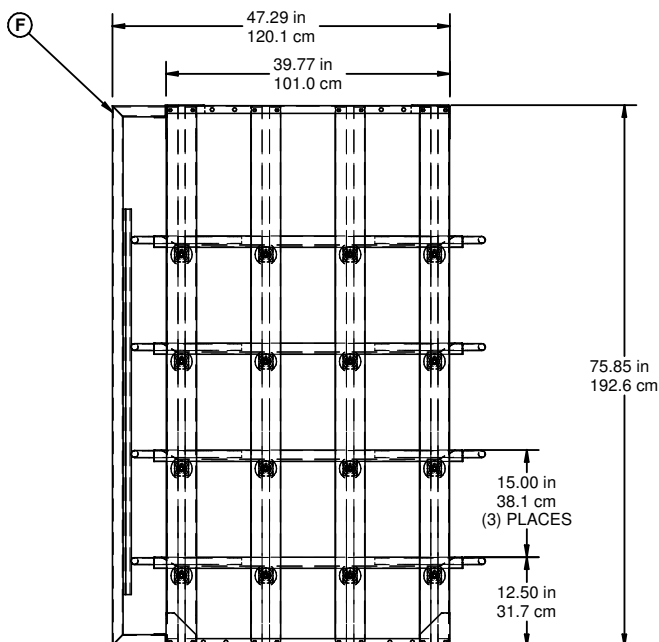
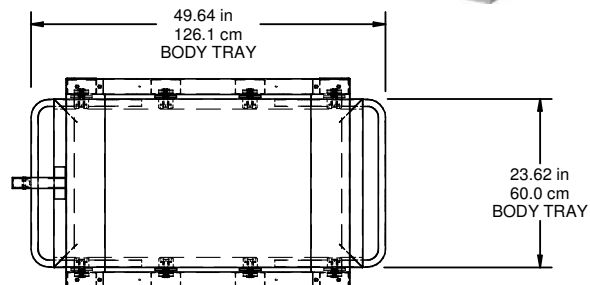
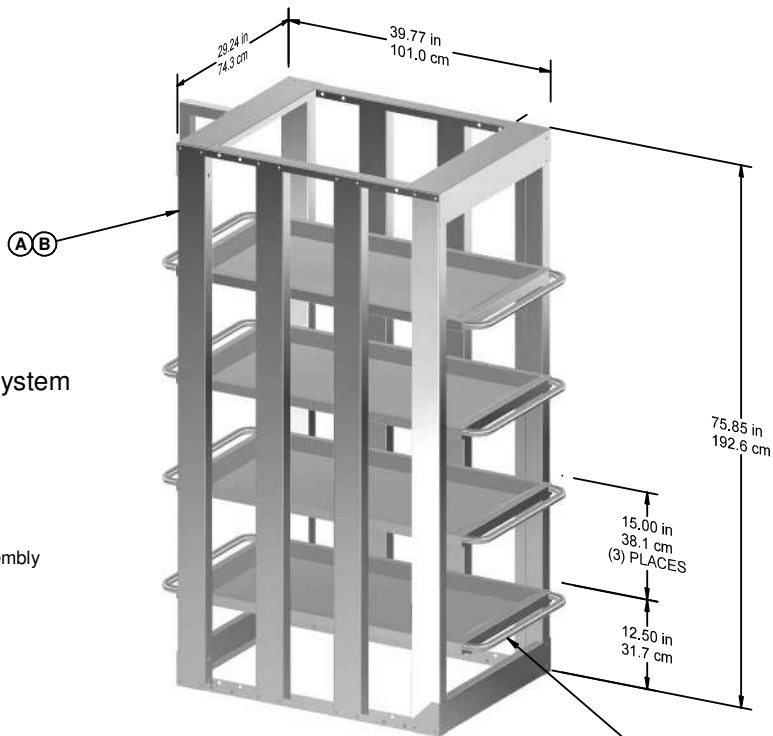
Mortuary Racks

MW5100PT

Mortuary Refrigerator
Pediatric Body Rack System

STANDARD FEATURES:

- A Non-Welded Structure
- B On Site Assemble
- C Adjustable Tray Height
- D Quantity of 1 to 5 Body Trays
- E Adjustable Roller Wheel Assembly
- F Bumper Stop



- 1
- 2
- 3
- 4
- 5
- 6
- 7
- 8
- 9
- 10
- 11

Mortuary Racks

1

2

3

4

5

6

7

8

9

10

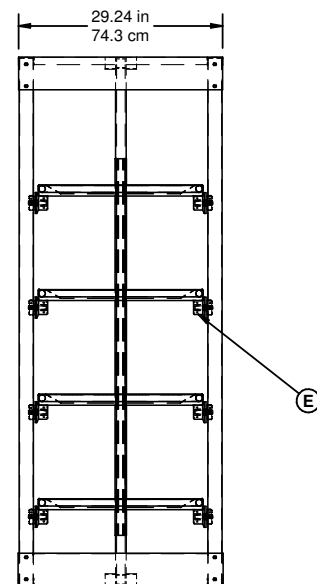
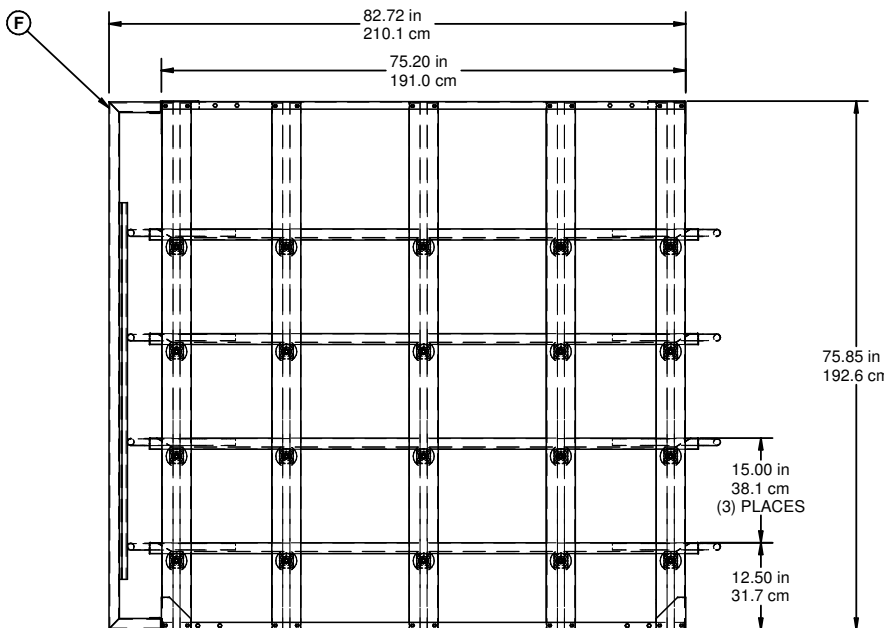
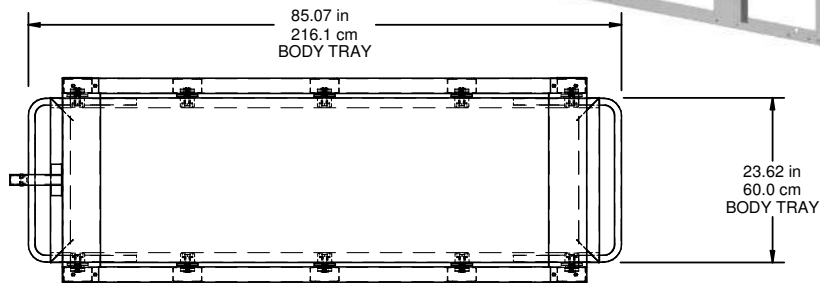
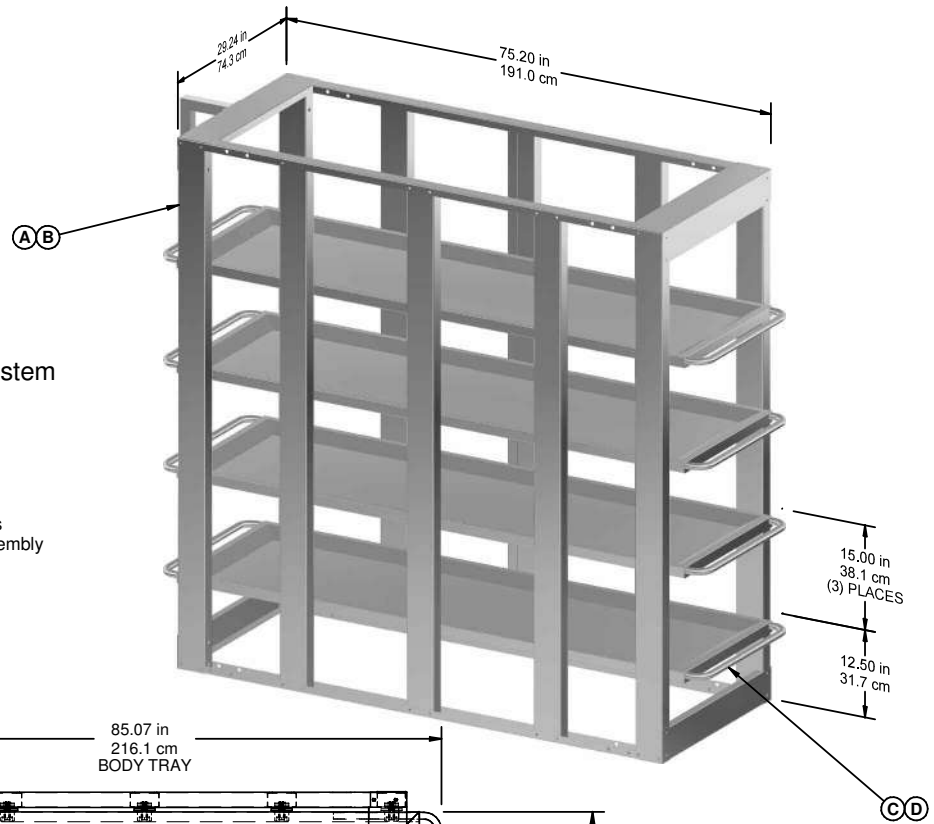
11

MW5100NT

Mortuary Refrigerator
Normal Body Rack System

STANDARD FEATURES:

- A Non-Welded Structure
- B On Site Assemble
- C Adjustable Tray Height
- D Quantity of 1 to 5 Body Trays
- E Adjustable Roller Wheel Assembly
- F Bumper Stop



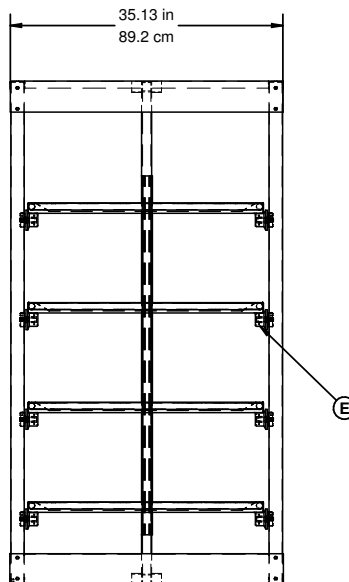
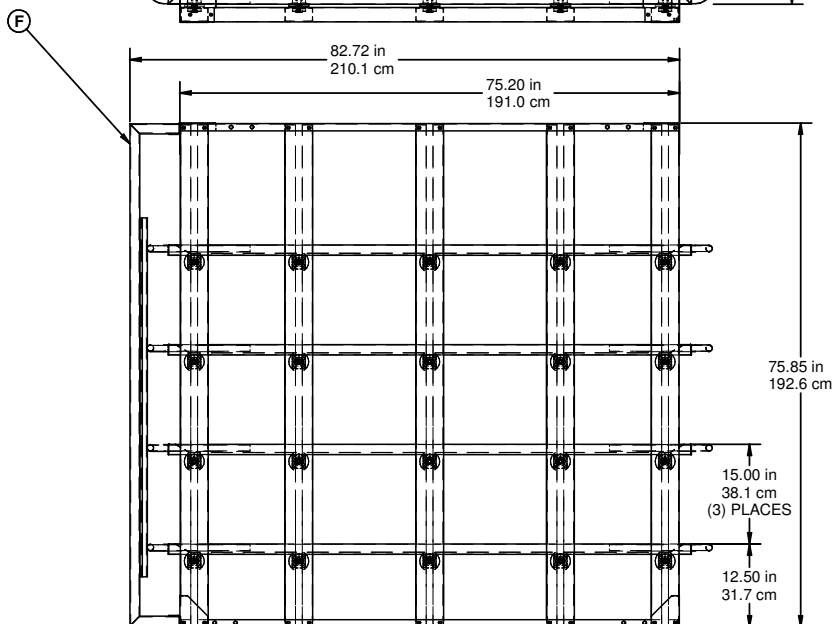
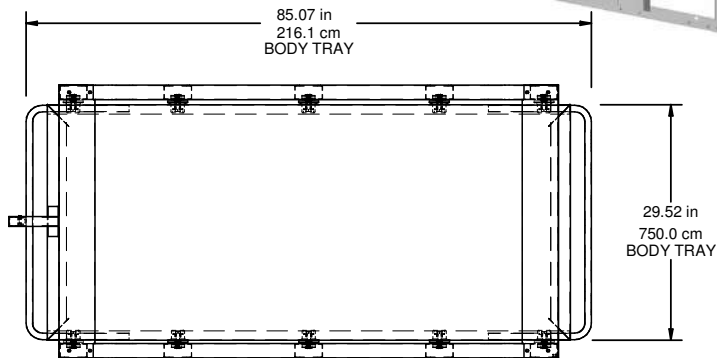
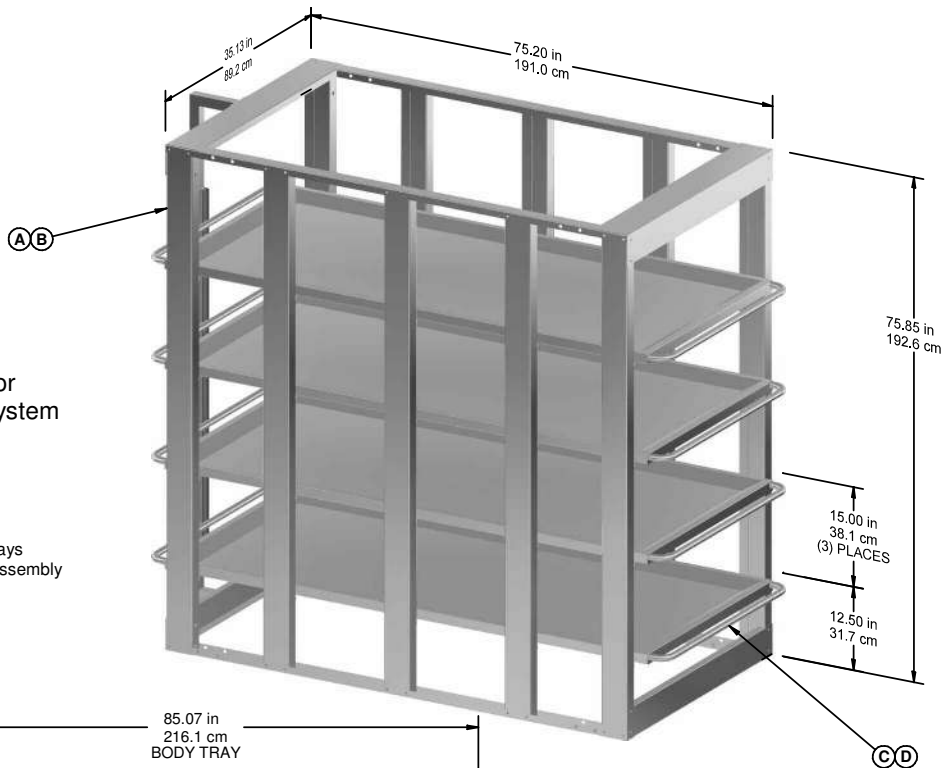
Mortuary Racks

MW5100LT

Mortuary Refrigerator
Large Body Rack System

STANDARD FEATURES:

- A Non-Welded Structure
- B On Site Assemble
- C Adjustable Tray Height
- D Quantity of 1 to 5 Body Trays
- E Adjustable Roller Wheel Assembly
- F Bumper Stop



Mortuary Racks

1

2

3

4

5

6

7

8

9

10

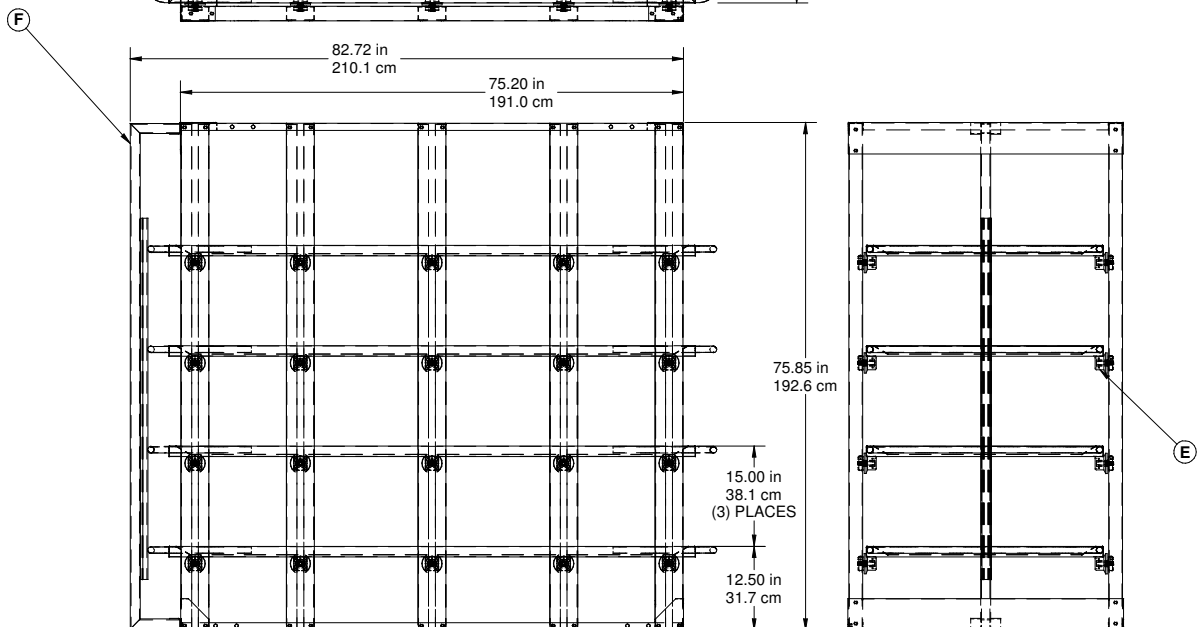
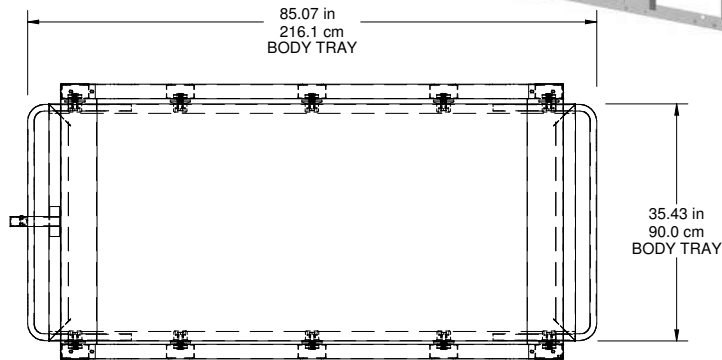
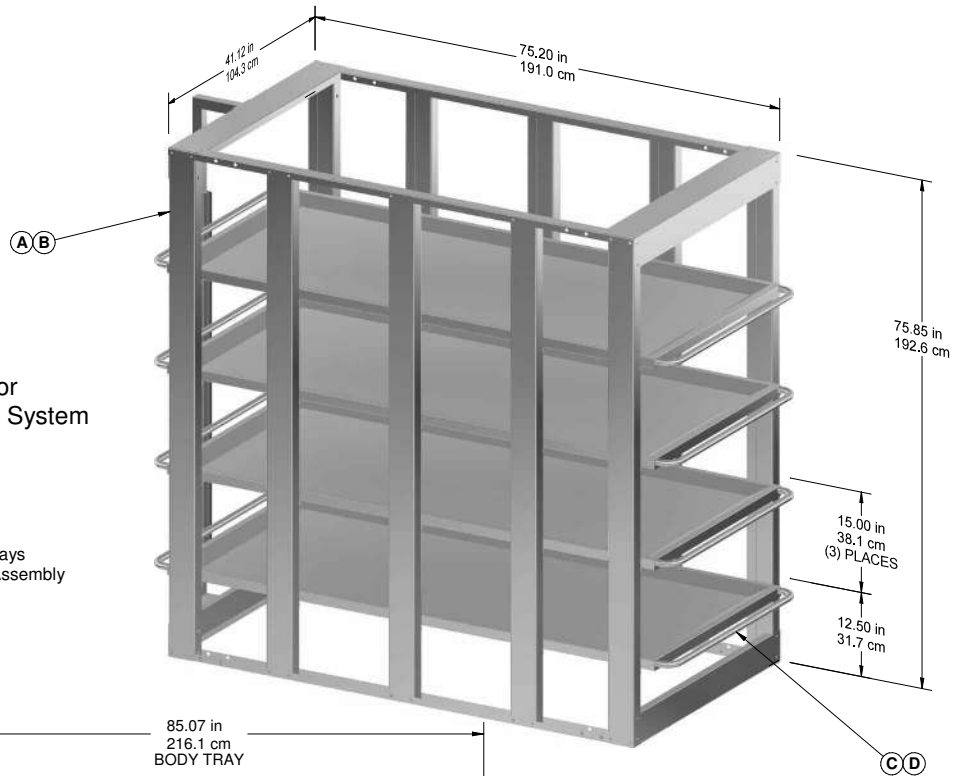
11

MW5100BT

Mortuary Refrigerator
Bariatric Body Rack System

STANDARD FEATURES:

- A Non-Welded Structure
- B On Site Assemble
- C Adjustable Tray Height
- D Quantity of 1 to 5 Body Trays
- E Adjustable Roller Wheel Assembly
- F Bumper Stop



Body Trays

Body Trays

The contoured design allows for placement of bodies in front and removal of bodies in rear of refrigerator. The tray is designed with a 30° leading edge that tapers into a 30 mm deep pan to help contain fluids and secure the body from slipping off during transporting. Easily grasped handles are provided on each end of the body tray fabricated of .25 mm diameter heavy duty stainless steel tubing. Double flange type construction provides a structurally sound tray along with a flat leading edge to accommodate the roller system of the mortuary rack and associated equipment.



Pediatric Size Body Tray
600 mm Wide x 40 mm High x 1100 mm Long
(1260 mm Long with Handles)
Product No. MW600PT

Standard Features:

- Tray constructed of 1.65 mm stainless steel type 304 and #4 satin finish
- Tray handle constructed of 25 mm dia. x 1.65 mm tubing
- Double flange construction with all welded corners ground smooth to match adjacent finishes



Normal Size Body Tray
600 mm Wide x 40 mm High x 2000 mm Long
(2160 mm Long with Handles)
Product No. MW600NT



Large Size Body Tray
750 mm Wide x 40 mm High x 2000 mm Long
(2160 mm Long with Handles)
Product No. MW750LT



Bariatric Size Body Tray
900 mm Wide x 40 mm High x 2000 mm Long
(2160 mm Long with Handles)
Product No. MW900BT



Body trays glide into racks

- 1
- 2
- 3
- 4
- 5
- 6
- 7
- 8
- 9
- 10
- 11

ISO: Quality Management System in compliance with ISO 9001:2008 and applies: Design, Engineering, Manufacturing and Installation of Equipment Distribution of Supplies for Morgue, Pathology, Histology and Necropsy Applications.

IF Series Cadaver Transporters

1

2

3

4

5

6

7

8

9

10

11



Intelli-Lock Safety Latch

The IF Series Transporter is a multi-body carrier designed to transport cadavers on body trays. Heavy-duty construction allows safe removal or placement of cadavers by rolling the trays directly off the mortuary rack onto the Transporter. Each tier has a 500 pound weight capacity per level. Transporter is designed to work in conjunction with the IE100 Mortuary Rack.

IF Series Standard Features

Frame: The bearing rails, upright support column and end bumper weldment are made of 1-1/2" square heavy-duty stainless steel tubing with a #2B finish. The frame is a completely welded assembly and no mechanical fasteners are used. Weight capacity of 500 pounds per tier.

Roller Wheel Assembly: The roller wheel assemblies are comprised of replaceable nylon roller wheels, free of rust, no plated steel wheels. Each bay has ten roller wheel assemblies, five per side.

Rear Bumper: The rear bars have bumpers which will absorb the impact of a loaded tray. The material is 1-1/2" heavy-duty stainless steel angles.

Casters: Four casters are provided which are capable of swivel for mobility and wheel brake for secure positioning during loading.

Stainless Steel: All of the components used in the fabrication are stainless steel unless otherwise specified. All welds are a continuous type yielding an approximate radius of 3/16". All welds will be smooth, free of burrs and brushed to remove any discoloration.

ISO: Quality Management System in compliance with ISO 9001:2008 and applies: Design, Engineering, Manufacturing and Installation of Equipment Distribution of Supplies for Morgue, Pathology, Histology and Necropsy Applications.

Product Description

Product No. IF200 – 2 Tier Without Trays

Product No. IF201 – 2 Tier includes 23" Body Trays

Product No. IF300 – 3 Tier Without Trays

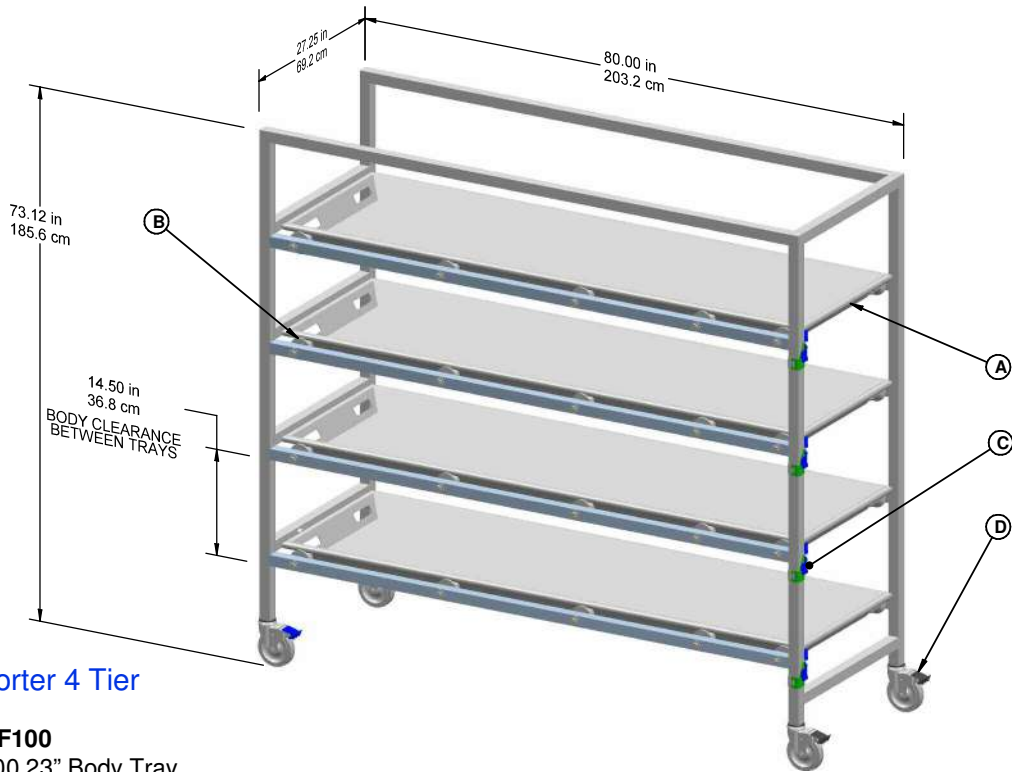
Product No. IF301 – 3 Tier Includes 23" Body Trays

Product No. IF100 – 4 Tier Without Trays

Product No. IF101 – 4 Tier Includes 23" Body Trays

Custom sizes and configurations are available

IF Series Cadaver Transporters



Cadaver Transporter 4 Tier

Without Trays,
Product No. IF100
 Includes, JC100 23" Body Tray
Product No. IF101

- STANDARD FEATURES:**
 A JC100 23" Body Trays
 B Roller Wheel Assembly
 C Tray Latch
 D Caster with Total Lock System

Cadaver Transporter 3 Tier

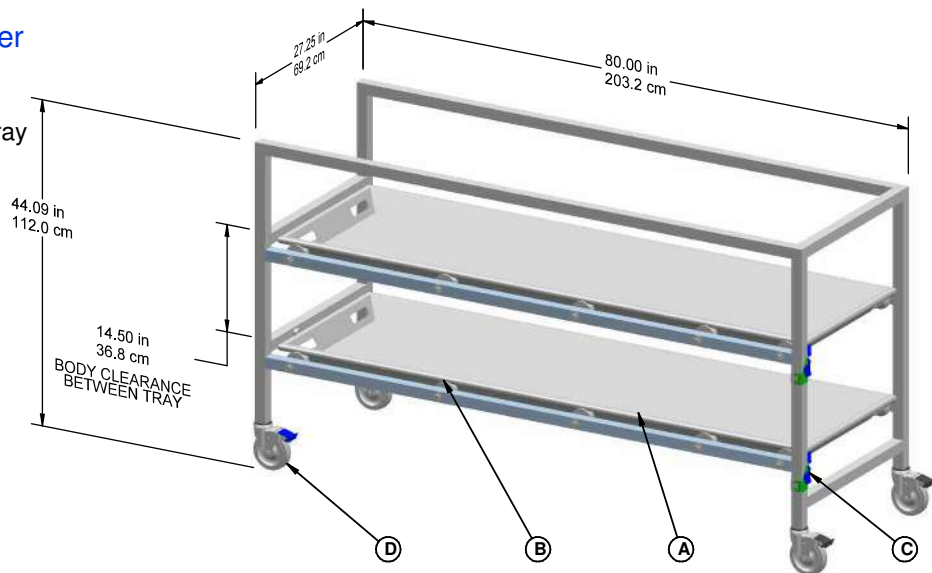
Without Trays,
Product No. IF300
 Includes, JC100 23" Body Tray
Product No. IF301

STANDARD FEATURES:
 SAME AS IF101 OR IF201

Cadaver Transporter 2 Tier

Without Trays,
Product No. IF200
 Includes, JC100 23" Body Tray
Product No. IF201

- STANDARD FEATURES:**
 A JC100 23" Body Tray
 B Roller Assembly
 C Tray Latch
 D Caster with Total Lock System



1
2
3
4
5
6
7
8
9
10
11

IG Series Portable Body/Cremation Storage Racks

1

2

3

4

5

6

7

8

9

10

11



The IG Series Portable Cremation Storage Racks will work for a variety of cadaver storage applications. Unlike conventional cantilever storage units, the IG Series allow for greater storage capacity without increasing space due to their compact size.

Designed for cremation containers, unit will accept a stainless steel cadaver tray, storage board, transfer board or standard cremation containers. Unit can be easily loaded and unloaded by one person.

IG Series Standard Features

- **Roller Assemblies:** Five roller assemblies mounted in each bay make loading and unloading the cadaver tray or cremation container easy
- **Casters:** Four casters are provided which are capable of swivel for mobility and wheel brake for secure positioning during loading and unloading.

ISO: Quality Management System in compliance with ISO 9001:2008 and applies: Design, Engineering, Manufacturing and Installation of Equipment Distribution of Supplies for Morgue, Pathology, Histology and Necropsy Applications.



Product Description

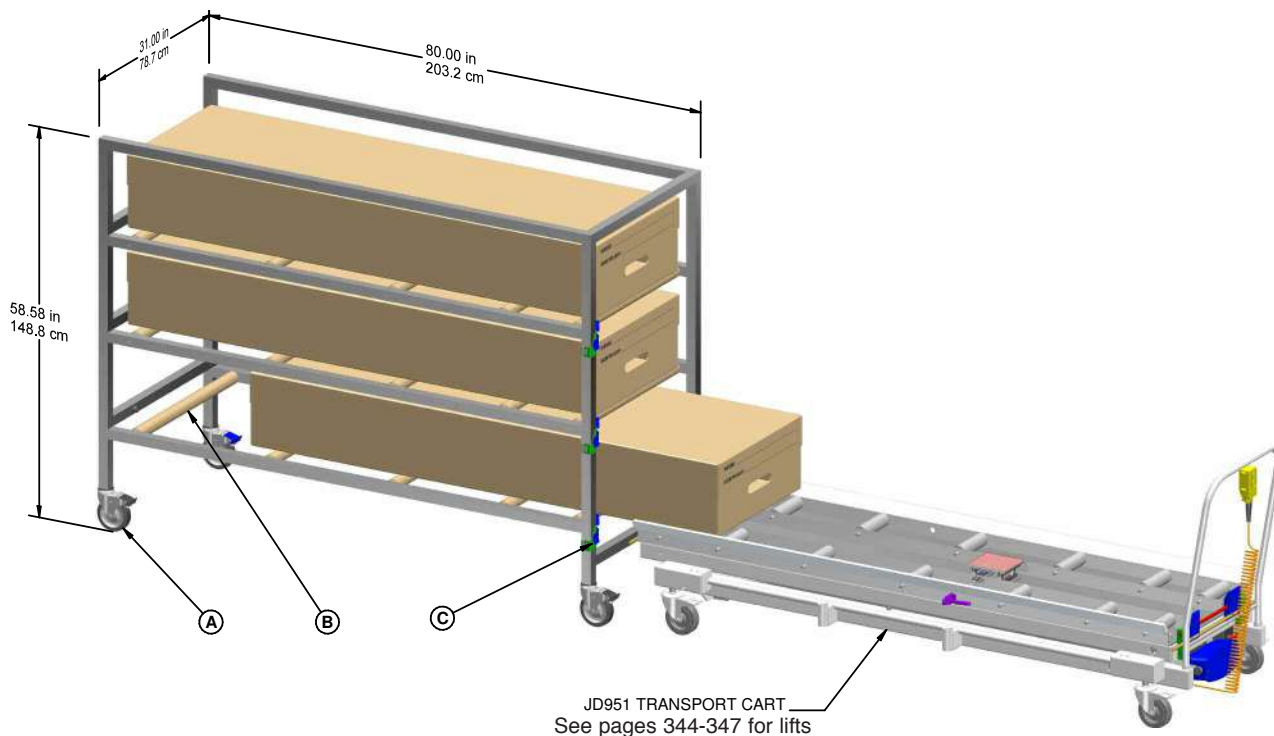
Product No. IG200 - 2 Tier Storage Rack

Product No. IG300 - 3 Tier Storage Rack

Product No. IG400 - 4 Tier Storage Rack

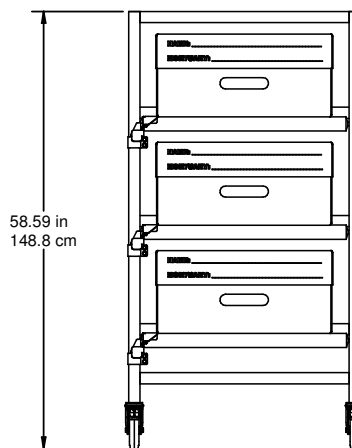
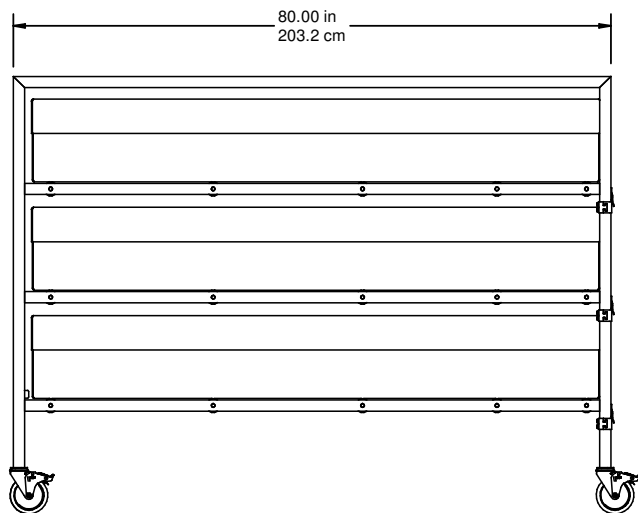
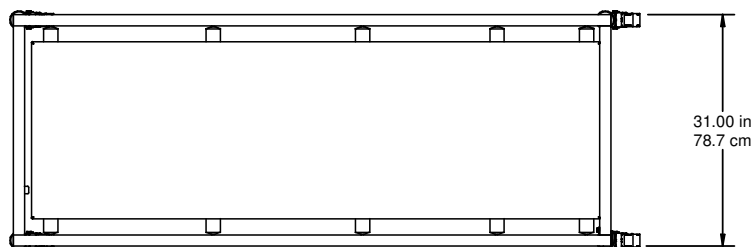
Product No. IG500 - 5 Tier Storage Rack

IG Series Portable Body/Cremation Storage Racks



STANDARD FEATURES:

- A Caster with Total Lock System
- B Roller Assembly
- C Safety Latch



1

2

3

4

5

6

7

8

9

10

11

JA500 Cadaver Carrier

1

2

3

4

5

6

7

8

9

10

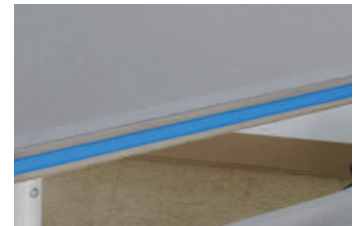
11



Total lock casters



Fifth wheel steering



Corner bumper

Moving the Cadaver from the Hospital Bed to the Transporting Cart Has Never Been Easier

The wide body platform offers easy handling of larger cadavers, yet the JA500 easily passes through doors and hallways. The chassis is constructed of high impact PVC and is easily cleaned. Casters are heavy-duty 8" diameter rubber edged. Dual activated Total Lock wheel system is standard.

- Specially designed contoured edging makes transferring the body from the hospital bed to the JA500 more efficient
- Cart top is fabricated of double 18 gauge stainless steel with contoured perimeter edges to ensure retention and control of fluids

Equipped with Fifth Wheel for stability and pivoting.

Heavy-Duty 8" Casters Featuring Total Lock Wheel System

The brake and swivel mechanisms can be activated together from one position.

Position 1: Locks one caster swivel for maneuverability.

Position 2: Locks all brakes and all swivel casters with one touch of the lever from any corner.

ISO: Quality Management System in compliance with ISO 9001:2008 and applies: Design, Engineering, Manufacturing and Installation of Equipment Distribution of Supplies for Morgue, Pathology, Histology and Necropsy Applications.



Optional Aluminum False Frame and Cover Available for Discreet Transport

- Dimensions: 80-1/2"L x 30-1/2"W (204.4 cm x 77.4 cm)
- Includes white cover (JZ005) for frame
- Fits the JA500

Product No. JA610

JA500 Cadaver Carrier

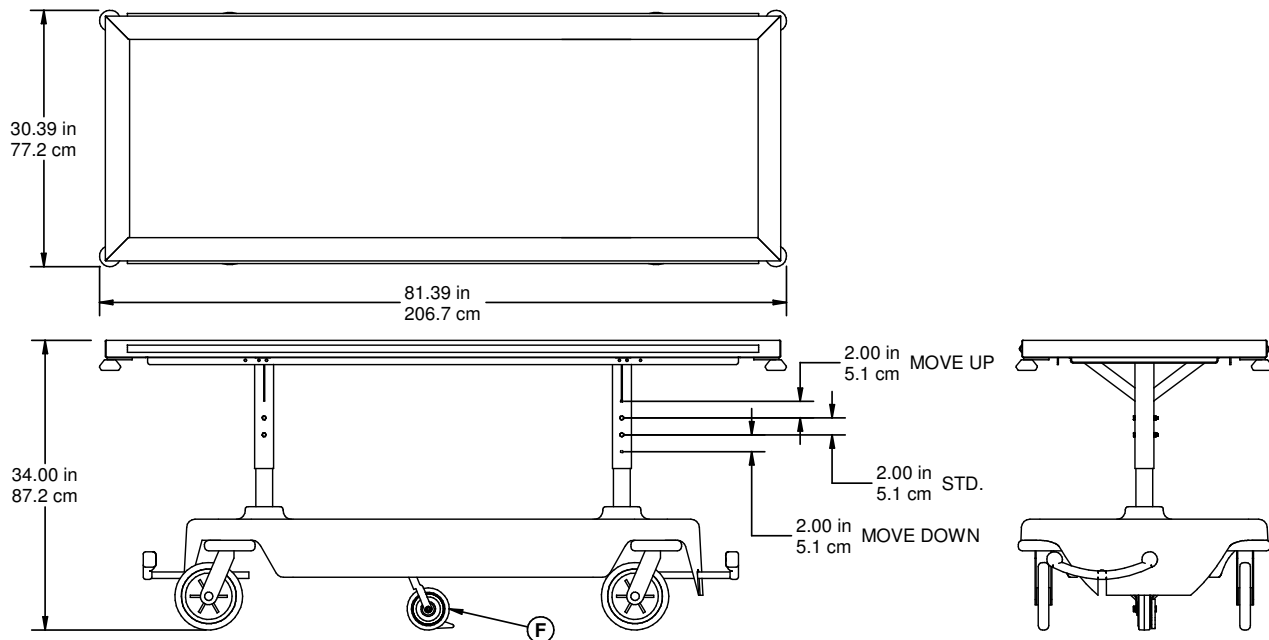
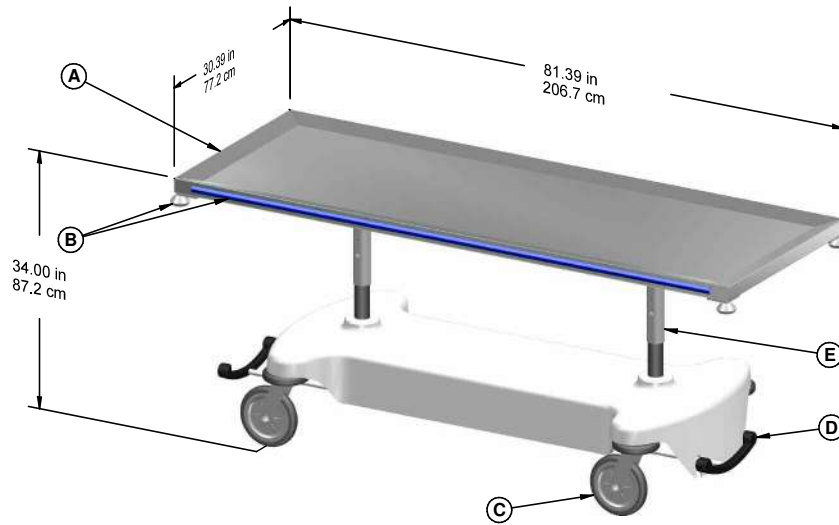


JA500

Cadaver Transfer – Non Elevating

STANDARD FEATURES:

- A Stainless Steel Body Platform
- B Bumper Guards
- C Casters with Locking Mechanism
- D Brake Control
- E Chassis
- F Fifth Wheel



JA600 Covered Cadaver Carrier

Hydraulic Assisted Cadaver Transfer and Enshrouded Transport System

1

2

3

4

5

6

7

8

9

10

11



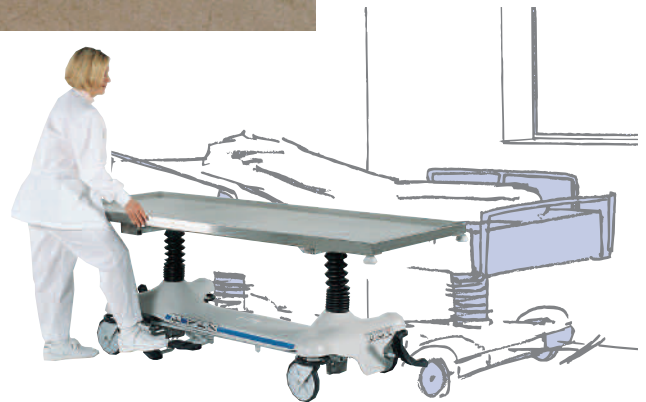
With increased safety, efficiency and stability, the JA600 makes it easier for staff to transport heavier cadavers. The JA600 can transport up to 500 lbs!

- **Minimizes Back Strain:** The JA600's powerful pedal activated hydraulic system allows tray to be easily and quickly elevated to the height of the bed.
- **Discreet:** The JA600's form fitting, reinforced opaque cover over a sturdy lightweight aluminum frame ensures the utmost in discretion and consideration for all hospital personnel. Special rugged bumpers provide heavy-duty impact resistance.
- **Easy to Navigate:** The JA600's Total Lock wheel locking system makes it easy to securely lock the wheels in place for cadaver transfer. Lock one wheel in parallel alignment for easy steering through crowded halls and elevators.

Wider body platform makes dealing with heavier bodies easier, yet the JA600 cart easily passes through doors and hallways. Contoured perimeter edges ensure retention and control of fluids.

Moving the Cadaver from the Hospital Bed to the Transporting Cart Has Never Been Easier

Dual side mounted foot controls allow the technician to effortlessly elevate the transfer tray to the height of the bed without bending. Specially designed contoured edging makes transferring the body from the hospital bed to the JA600 more efficient.



JA600 Standard Features

Removable Frame: All lightweight aluminum construction for long life and easy clean up. Weight: 15 lbs. Cover frame height: 18" (45.7 cm).

Removable Cover: Washable opaque cloth with blackout lining.

Chassis: Chassis is constructed of high impact, easily cleaned PVC with heavy-duty twin pedestal hydraulics.

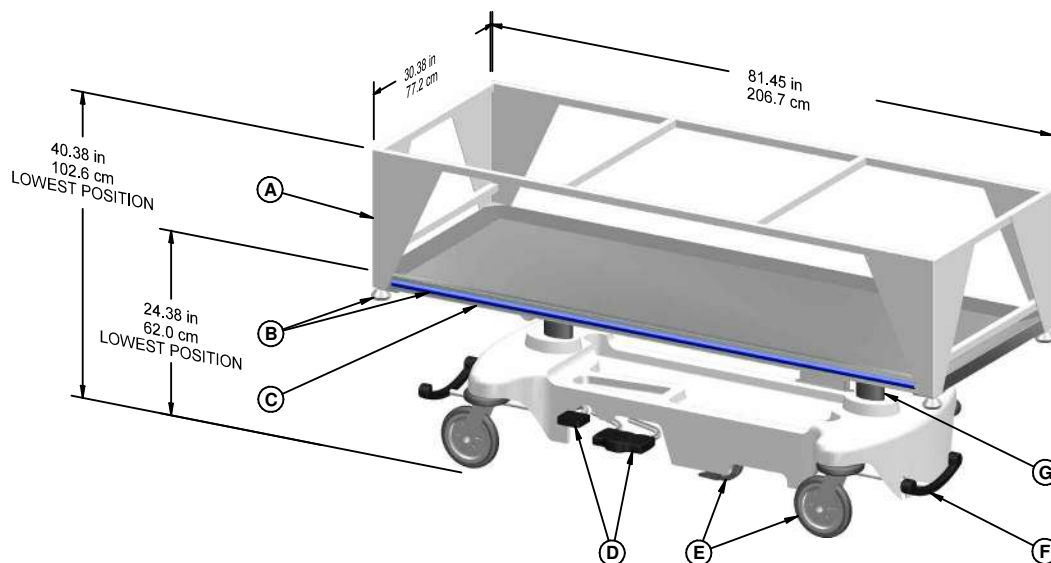
Casters: Portable units are provided with 8" diameter casters. Each wheel is heavy duty, all swivel type casters, complete with swivel lock and/or wheel brake. The wheel material is impervious to embalming chemicals.

Dimensions: 30.38" W (77.2 cm) x 81.45" L (206.7 cm). Lowest position 24.38" H (62 cm), highest position 38.75" H (98.4 cm).

ISO: Quality Management System in compliance with ISO 9001:2008 and applies: Design, Engineering, Manufacturing and Installation of Equipment Distribution of Supplies for Morgue, Pathology, Histology and Necropsy Applications.

JA600 Covered Cadaver Carrier

Hydraulic Assisted Cadaver Transfer and Enshrouded Transport System



JA600

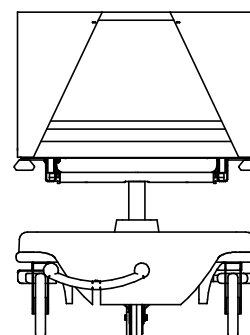
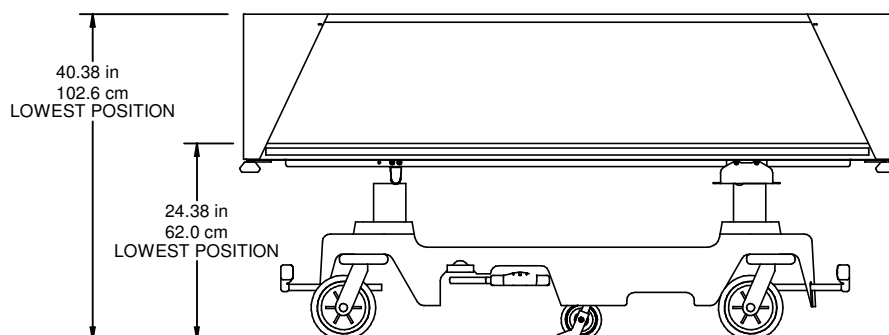
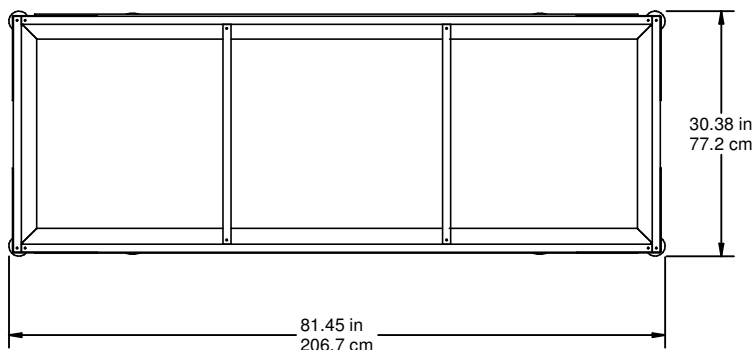
Hydraulic Assisted Cadaver Transfer and Enshrouded Transport System

STANDARD FEATURES:

- A False Frame JA610 (Cover Not Shown)
- B Bumper Guards
- C Stainless Steel Body Platform
- D Elevation Control Pedals
- E Casters with Locking Mechanism and 5th Wheel Steering
- F Brake Control
- G Hydraulic Chassis



Lightweight false frame and cover



- 1
- 2
- 3
- 4
- 5
- 6
- 7
- 8
- 9
- 10
- 11

Cadaver Covers

1

Mopec's Cadaver Covers allow for the discrete transport of a patient from the hospital room to the mortuary. After placing the body and the frame on the carrier, place cover over the frame. The rectangular shape of the cover conceals the body, giving the illusion of a standard gurney while hiding the cadaver. Cadaver covers are made of black out material or heavy duty vinyl which can be easily cleaned.

2

Replacement Cadaver Cover for JA600

Our standard cadaver cover. Color is white and can be machine washed. 81" L x 31" W x 18" D (205.7 cm x 78.7 cm x 45.7 cm)

Product No. JZ005

3

Heavy Duty Cadaver Cover

Can be easily cleaned with a damp cloth.

81" L x 31" W x 18" D (205.7 cm x 78.7 cm x 45.7 cm)

Outside of cover is dark blue

Product No JZ007

4

Outside of cover is white

Product No JZ006

5

Cadaver Cover - Bariatric

Fits DC410 bariatric frame. Machine washable. Color is white. 80 3/4" L x 40" W x 20" D. (205.1 cm x 101.6 cm x 50.8 cm)

Product No JZ010

6

Heavy Duty Cadaver Cover

Can be easily cleaned with a damp cloth. For use with the GA110 frame. 81" L x 31" W x 21" D. (205.7 cm x 78.7 cm x 53.3 cm)

Outside of cover is dark blue

Product No JZ015

7

Outside of cover is white

Product No JZ016

8

Mopec can also supply you with custom covers that will fit your particular cadaver carrier. Simply supply us with exact measurements and we will supply you with a quote.

9

10

11



Place cover over frame, frame not included.



JA600 with JZ005 Cadaver Cover



Customized Cadaver Cover



Heavy Duty Cadaver Cover - Blue JZ007

JA620 Elevating Cadaver Carrier

With increased safety, efficiency and stability, the JA620 makes it easier for staff to transport heavier cadavers. The JA620 can transport up to 500 lbs!

- **Minimizes Back Strain:** The JA620's powerful pedal activated hydraulic system allows tray to be easily and quickly elevated to the height of the bed
- **Easy to Navigate:** The JA620's Total Lock wheel locking system makes it easy to securely lock the wheels in place for cadaver transfer. Lock one wheel in parallel alignment for easy steering through crowded halls and elevators. Fifth wheel added for stability and pivoting.

Loaded with Practical Features

Wider body platform makes dealing with heavier bodies easier, yet the JA620 cart easily passes through doors and hallways.

Contoured perimeter edges ensure retention and control of fluids.

NOTE: The JA620 has all the same features as the JA600 but does not include an aluminum frame or a discreet cover.



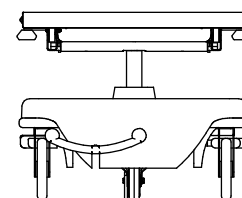
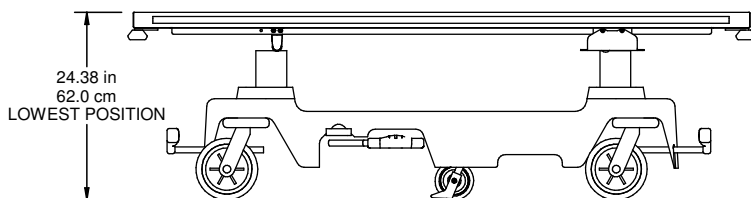
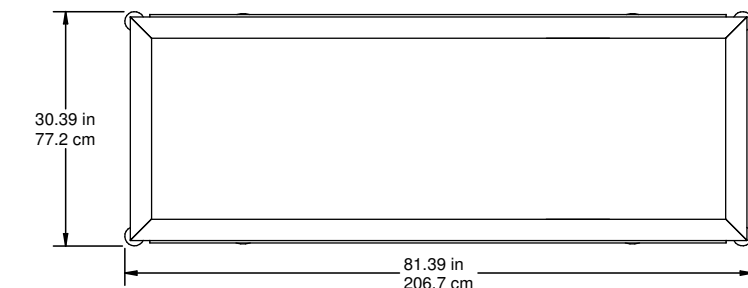
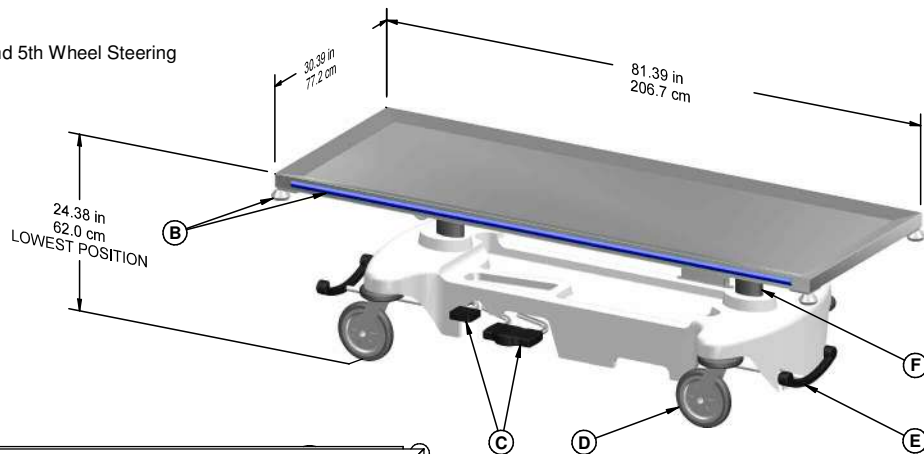
ISO: Quality Management System in compliance with ISO 9001:2008 and applies: Design, Engineering, Manufacturing and Installation of Equipment Distribution of Supplies for Morgue, Pathology, Histology and Necropsy Applications.

JA620

Hydraulic Assisted Cadaver Transfer

STANDARD FEATURES:

- A Stainless Steel Body Platform
- B Bumper Guards
- C Elevation Control Pedals
- D Casters with Locking Mechanism and 5th Wheel Steering
- E Brake Control
- F Hydraulic Chassis



- 1
- 2
- 3
- 4
- 5
- 6
- 7
- 8
- 9
- 10
- 11

JA630 Series Roller Style Cadaver Carrier

JA630 fits 23" JC100 Body Tray

JA631 fits 27" JC101 Body Tray

1

2

3

4

5

6

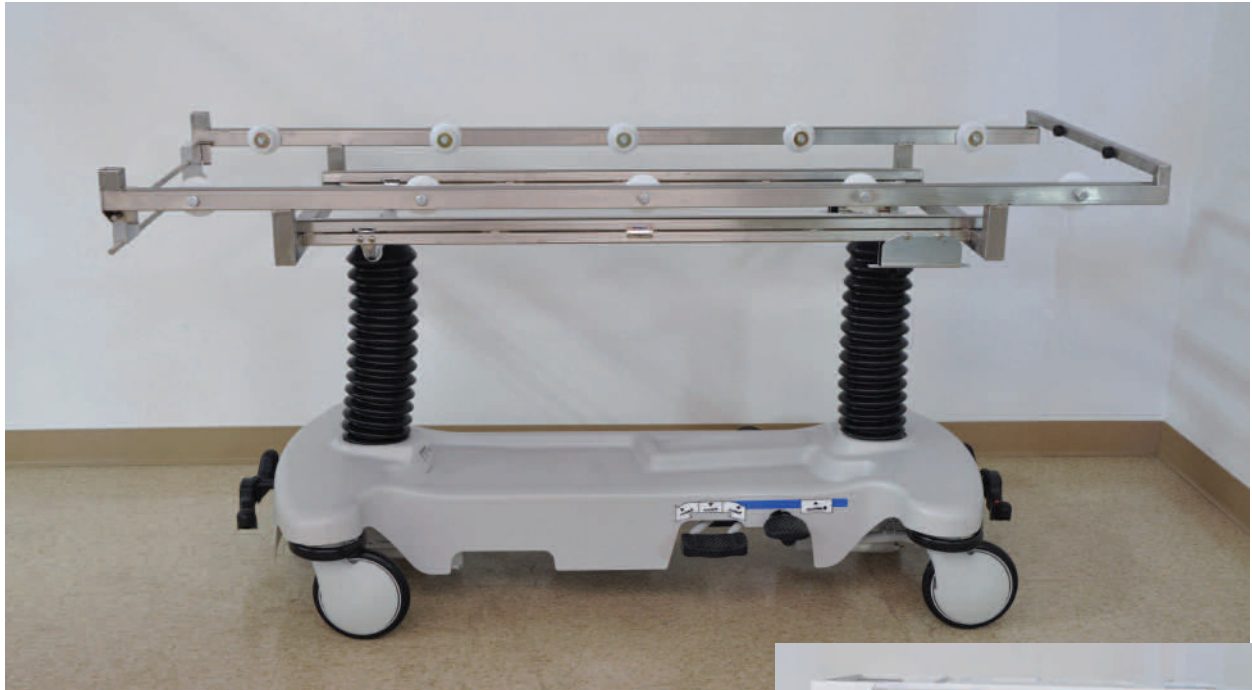
7

8

9

10

11



JA630 Series with optional tray, cover and frame

- **Minimizes Back Strain:** The JA630's powerful pedal activated hydraulic system allows cadaver carrier to be easily and quickly elevated to the height of the bed. Dual, side mounted, foot control allows the technician to effortlessly elevate the cadaver carrier to the height of the bed without bending.
- **Easy to Navigate:** The JA630's Total Lock wheel locking system makes it easy to securely lock the wheels in place for cadaver transfer. Lock one wheel in parallel alignment for easy steering through crowded halls and elevators.
- **Load Capacity:** The JA630's can transport up to 500 pounds. Easier for staff to transport heavier cadavers due to the safety and stability of the JA630 Series. The wider body platform makes dealing with heavier bodies easier, yet can easily pass through doors and hallways.

JA630 Series Standard Features

Cadaver Carrier Frame and Top: Constructed of heavy gauge stainless steel tubing with two rubber bumpers at one end of cart and cart latch at opposite end.

Cart Latch: Once the tray is on the JA630/JA631 cart, the latch secures body tray from back sliding.

Casters: Portable units are provided with 8" diameter casters. Each wheel is heavy duty, all swivel type casters, complete with swivel lock and/or wheel brake. The wheel material is impervious to embalming chemicals.

Tray Roller Wheels: 2" Diameter polypropylene roller wheel assembly. Each wheel assembly (ten per cart) includes oilite bushings and washers providing an almost effortless motion of loading and unloading of the tray. Two black bumper/stoppers on the tray roller mechanism stop the tray.

Chassis: Chassis is constructed of high impact, easily cleaned PVC with heavy-duty twin pedestal hydraulics

Dimensions: JA630 79-1/2" L x 27-3/4" W top
JA630 79-1/2" L x 30" W base

JA631 79-1/2" L x 31-3/4" W top
JA631 79-1/2" L x 30" W base

ISO: Quality Management System in compliance with ISO 9001:2008 and applies: Design, Engineering, Manufacturing and Installation of Equipment Distribution of Supplies for Morgue, Pathology, Histology and Necropsy Applications.

JA630 Series Optional Features

JC100: 23" Body tray

JC101: 27" Body tray

JC200: 23" Polyethylene body tray

JA611 Aluminum false frame and cover: Fits the JA630 with a 23" tray

JA612 Aluminum false frame and cover: Fits the JA631 with a 27" tray

JA Series Roller Style Cadaver Carrier

JA630 fits 23" JC100 Body Tray

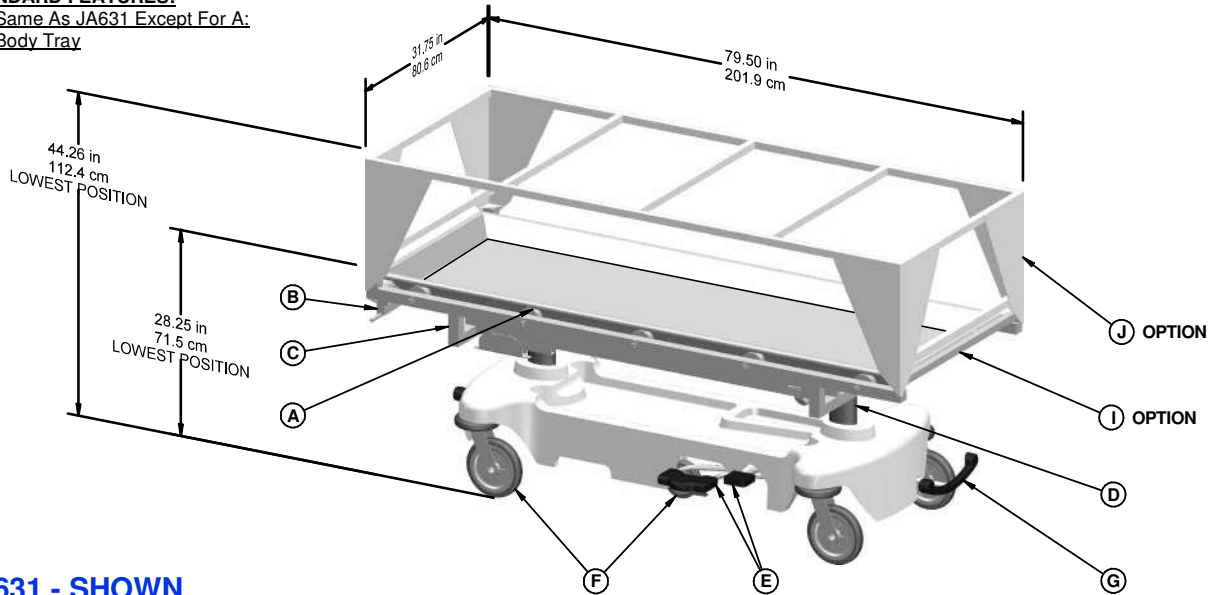
JA631 fits 27" JC101 Body Tray

JA630

Series Roller Style Cadaver Carrier Uses JC100 23" Body Tray

STANDARD FEATURES:

The Same As JA631 Except For A:
23" Body Tray



JA631 - SHOWN

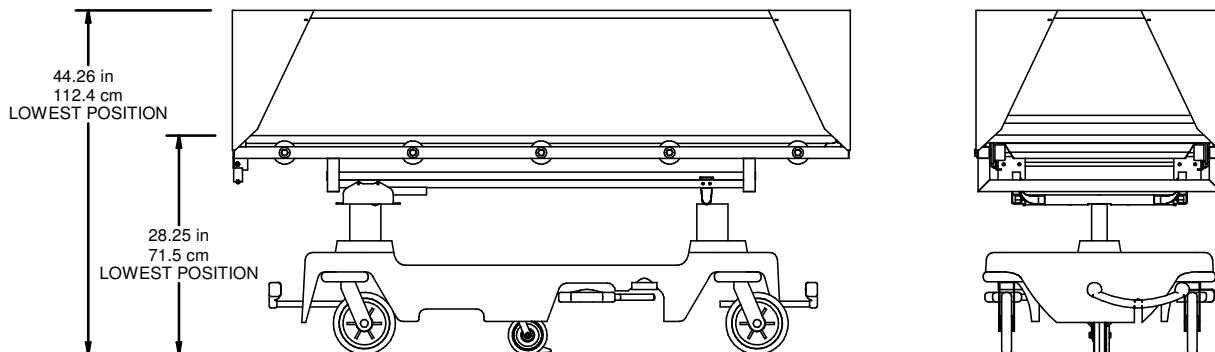
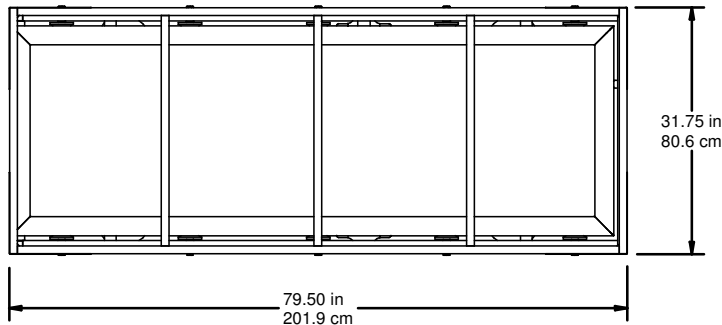
Series Roller Style Cadaver Carrier Uses JC101 27" Body Tray

STANDARD FEATURES:

- A Roller Wheel Assembly
- B Tray Latch
- C Heavy-Duty Frame
- D Hydraulic Chassis
- E Elevation Control Pedals
- F Casters with Locking Mechanism and 5th Wheel Steering
- G Brake Control

OPTIONAL FEATURES:

- I 27" Body Tray
- J Aluminum False Frame & Cover
Cover Not Shown



JA Series Single Body Tray Carrier

JA300 fits 23" JC100 Body Tray

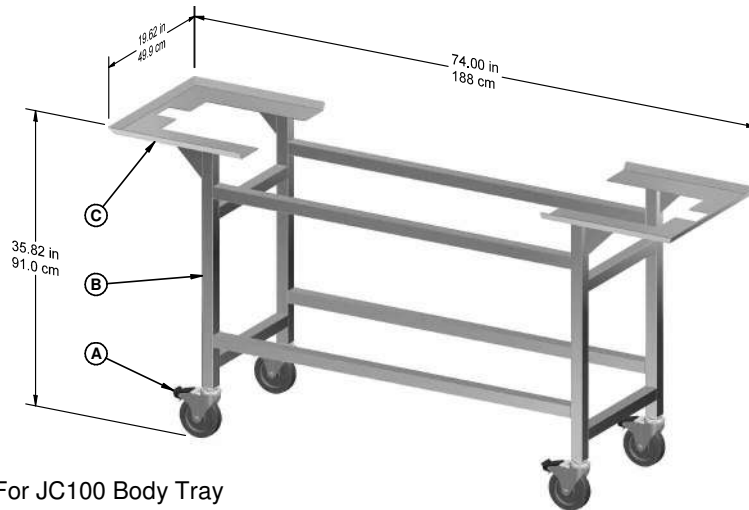
JA310 fits 27" JC101 Body Tray



Economical Means of Morgue Transport

The JA300 is an economical means of transporting the body within the morgue. Simple, compact yet durable, the JA300 allows for easy placement and removal of the body tray. Easy swivel lock casters allow for easy and effortless movement around the morgue.

ISO: Quality Management System in compliance with ISO 9001:2008 and applies: Design, Engineering, Manufacturing and Installation of Equipment Distribution of Supplies for Morgue, Pathology, Histology and Necropsy Applications.

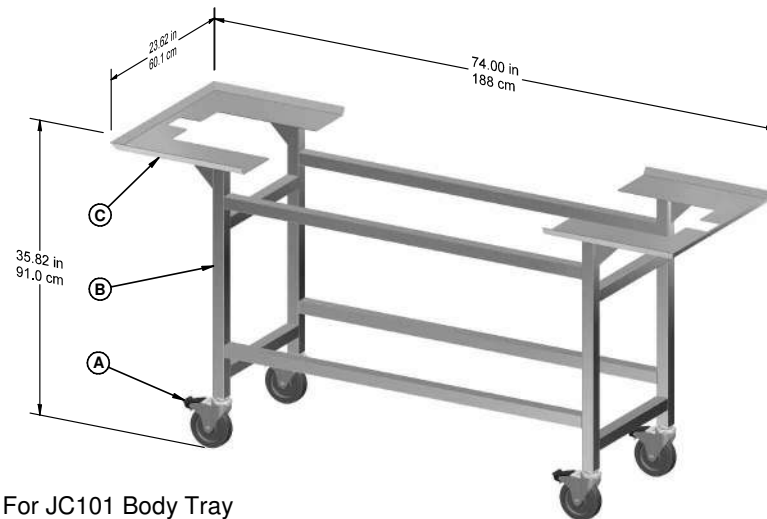


JA300

Single Body Tray Carrier For JC100 Body Tray

STANDARD FEATURES:

- A Casters with Total Lock System, 5" dia.
- B All Welded Stainless Steel Frame
- C 23" Body Tray Saddles



JA310

Single Body Tray Carrier For JC101 Body Tray

STANDARD FEATURES:

- A Casters with Total Lock System, 5" dia.
- B All Welded Stainless Steel Frame
- C 27" Body Tray Saddles

1

2

3

4

5

6

7

8

9

10

11

JB Series Storage Racks



JB000 Carrier shown without body trays

JB Series Body Trays are Completely Removable with a Typical Fork-Type Lift

Designed for use with roll-in coolers, the JB100 and JB200 carriers can hold two bodies on JC100 or JC101 Body Trays.

JB Series Standard Features

Welds: All welding is TIG type utilizing only stainless steel as a filler media. All weld fillets are approximately 1/8" diameter and are brushed clean removing any weld burrs or discoloration.

Cart Frame: Material on the cart frame is 1-1/2" 11 gauge stainless steel tubing with all continuous bead weld with 1/8" radius bead.

Casters: Heavy-duty 5" diameter casters are provided with four wheel brakes and one swivel lock.

Cart Saddle: Fabricated of 14 gauge stainless steel with #4 satin finish, the saddle is completely welded with no overlapping seams or gaps. All exposed welds are ground smooth and grained to match a #4 satin finish.



JB100 shown



Shown with JC100 Body Trays and JD710 Body Lift

Product Description

Product No. JB100 - Carrier includes (2) JC100 23" Body Trays

Product No. JB000 - Carrier without Body Trays

Product No. JB200 - Carrier includes (2) JC101 27" Body Trays

Product No. JB010 - Carrier without Body Trays



JB200 shown

ISO: Quality Management System in compliance with ISO 9001:2008 and applies: Design, Engineering, Manufacturing and Installation of Equipment Distribution of Supplies for Morgue, Pathology, Histology and Necropsy Applications.

- 1
- 2
- 3
- 4
- 5
- 6
- 7
- 8
- 9
- 10
- 11

JD Series Cadaver Lifts Conveyor Style

JD950 Conveyor Style End Access

JD955 Conveyor Style End/Side Access

1

Work Smarter — Not Harder

Mopec's rugged frame structure in a gray powder-coated finish features an integrated 12V hydraulic lifting unit for vertical adjustment and enables easy handling. The vertical adjustment is controlled using an up/down push button switch attached to a flexible cord, an exclusive Mopec feature. The JD950/JD955 offers exclusive access to fifth tier of body storage racks. A key actuated switch prevents unauthorized operation and serves simultaneously as emergency off switch. Maintenance free drive battery ensures a constant power supply and is equipped with an electronic rapid charger. A control valve ensures even lowering at various loads. Built in integrated scale allows easy and almost effortless weighing of the body. Removable handle can be used on three sides of the lift. This provides the technician with added flexibility to maneuver the body lift within the mortuary.

All four casters are swivel style with one lockable for directional control. Dual conveyor rollers are provided with stainless steel frame yielding an almost effortless loading and unloading. Front mounted roller bumper.



JD950 shown with 25 bay IE100 Storage Rack

2

3

4

5

6

7

8



JD950 with 2 body conveyor style cooler



JD950 with 2 body conveyor style cooler

9

10

11



JD950 Cadaver Lift shown with KH500 End Opening Refrigerator

Product No.

JD950 Conveyor Style End Access

JD955 Conveyor Style End/Side Access

JD Series Cadaver Lifts Conveyor Style

JD950 Conveyor Style End Access

JD950 - SHOWN

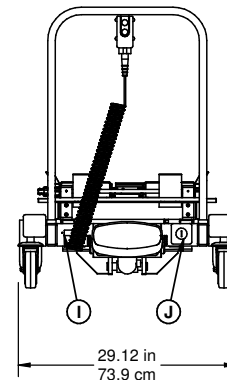
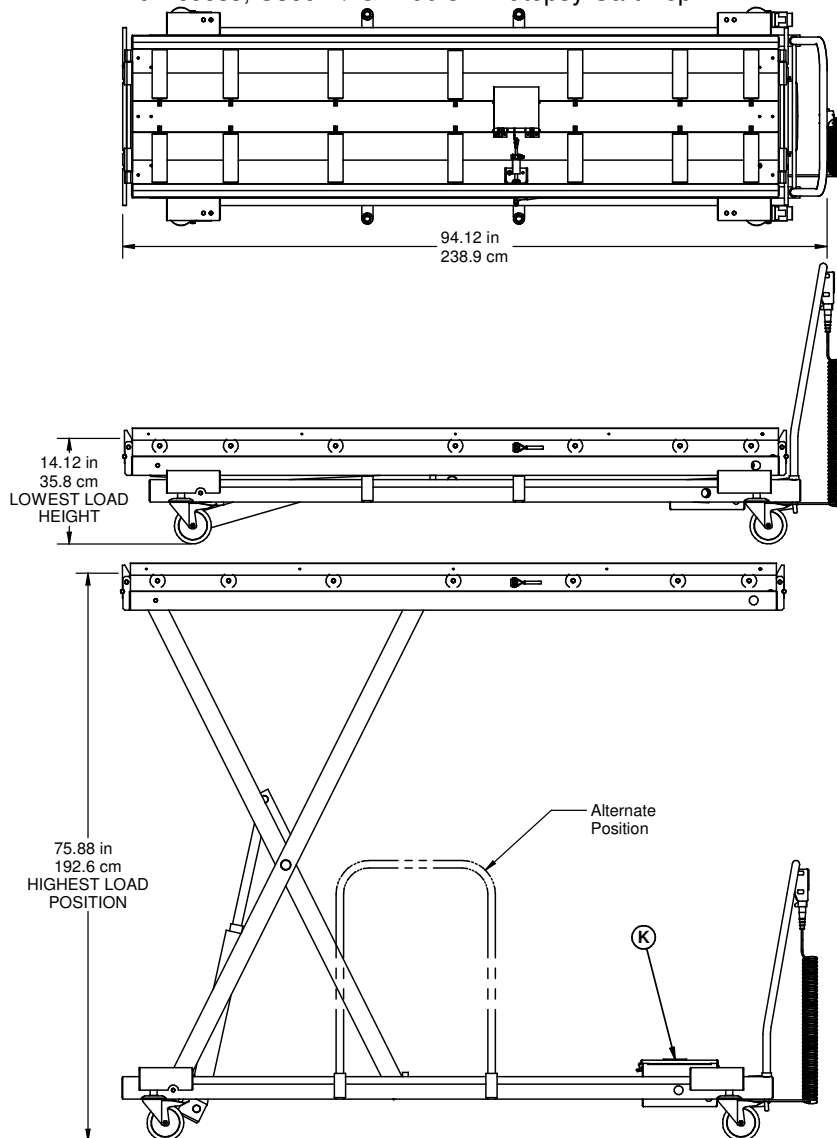
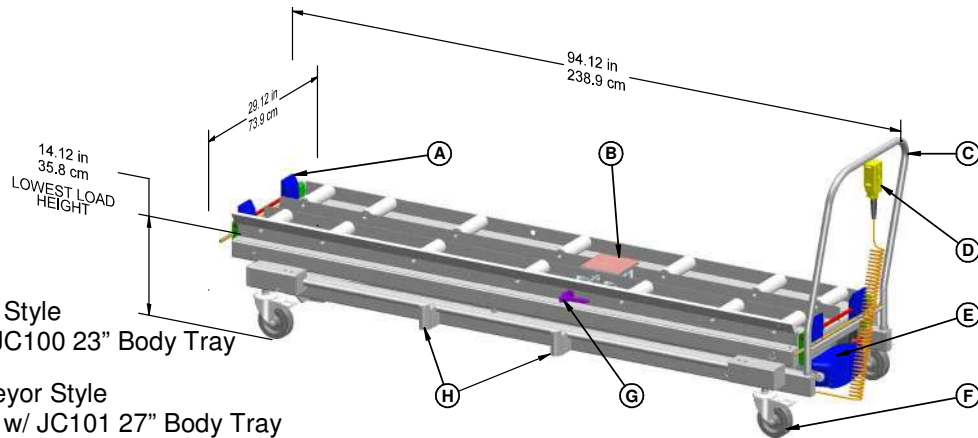
Cadaver Lift Conveyor Style
End Access, Used w/ JC100 23" Body Tray

JD951

Cadaver Lift Conveyor Style
End Access, Used w/ JC101 27" Body Tray

JD952

Cadaver Lift Conveyor Style
End Access, Used w/ GA100 32" Autopsy Cart Top



STANDARD FEATURES:

- A End Access Release Latch (Both Ends)
- B JC100 Body Tray Positioning Pad
- C Push Handle, Removable To (3) Different Positions
- D Hand Held Lift Controller
- E Digital Weight Scale & Controls
- F Heavy-Duty Casters w/ Brakes
- G Positioning Lock Lever
- H Push Handle, Receivers
- I Battery Charger Outlet
- J Power ON/OFF w/ Key Lockout
- K Power Distribution Box, w/ Battery & Charger



JD Series Cadaver Lifts Conveyor Style

JD955 Conveyor Style End/Side Access

1



JD955 conveyor style end/side access

2

3

4

5

6



JD955 height adjustment control



JD955 digital scale

7



JD955 tray mechanism

8



JD955 with adjustable handle

9

10

11

JD Series Cadaver Lifts Conveyor Style

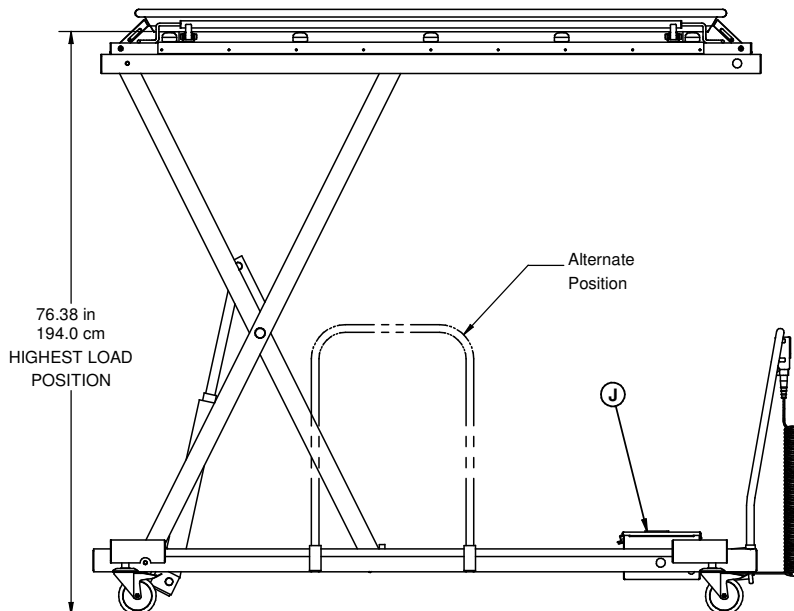
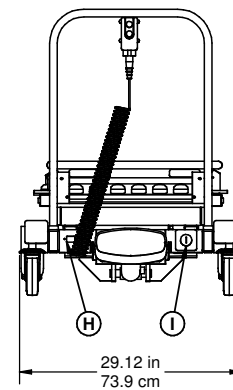
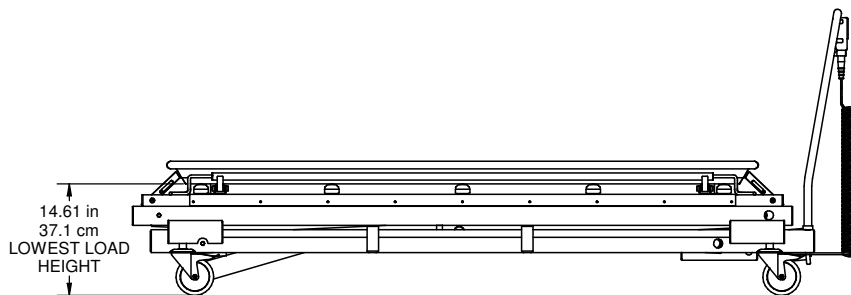
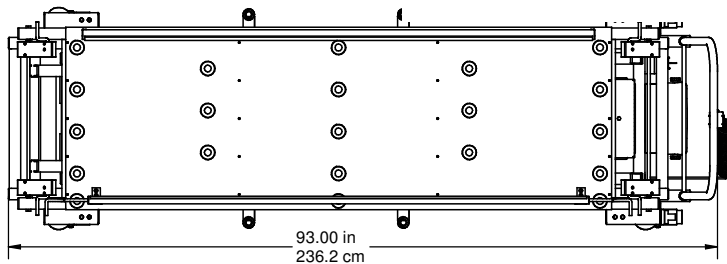
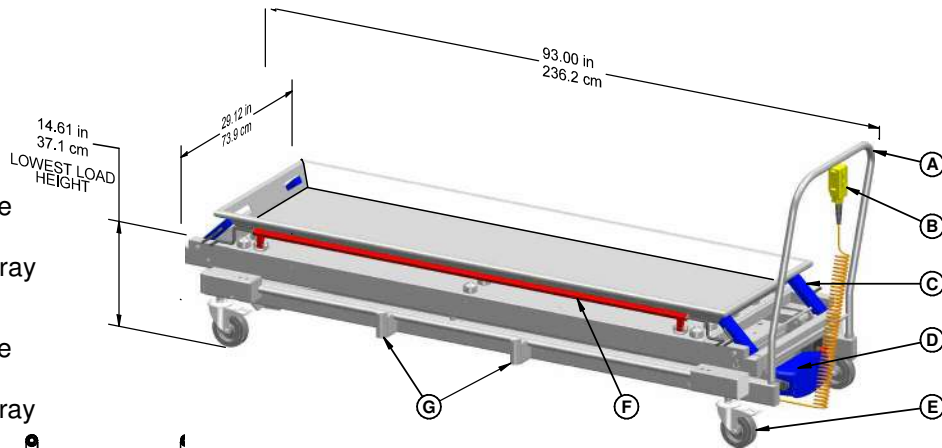
JD955 End/Side Access

JD955 - SHOWN

Cadaver Lift Conveyor Style
(3) Sided Access
Used w/ JC100 23" Body Tray

JD956

Cadaver Lift Conveyor Style
(3) Sided Access
Used w/ JC101 27" Body Tray



STANDARD FEATURES:

- A Push Handle, Removable To (3) Different Positions
- B Hand Held Lift Controller
- C End Access Release Latch (Both Ends)
- D Digital Weight Scale & Controls
- E Heavy-Duty Casters w/Brakes
- F Side Access Release Latch (One Side Only)
- G Push Handle, Receivers
- H Battery Charger Outlet
- I Power ON/OFF w/ Key Lockout
- J Power Distribution Box, w/ Battery & Charger



JD Series Cadaver Lift Roller Pallet

JD Series Standard Features

Bearing Rails: 1-1/2" x 16 gauge wall

Cross Support: 1-1/2" x 16 gauge wall

Tray Lock: 12 gauge and 1/2" diameter stainless steel

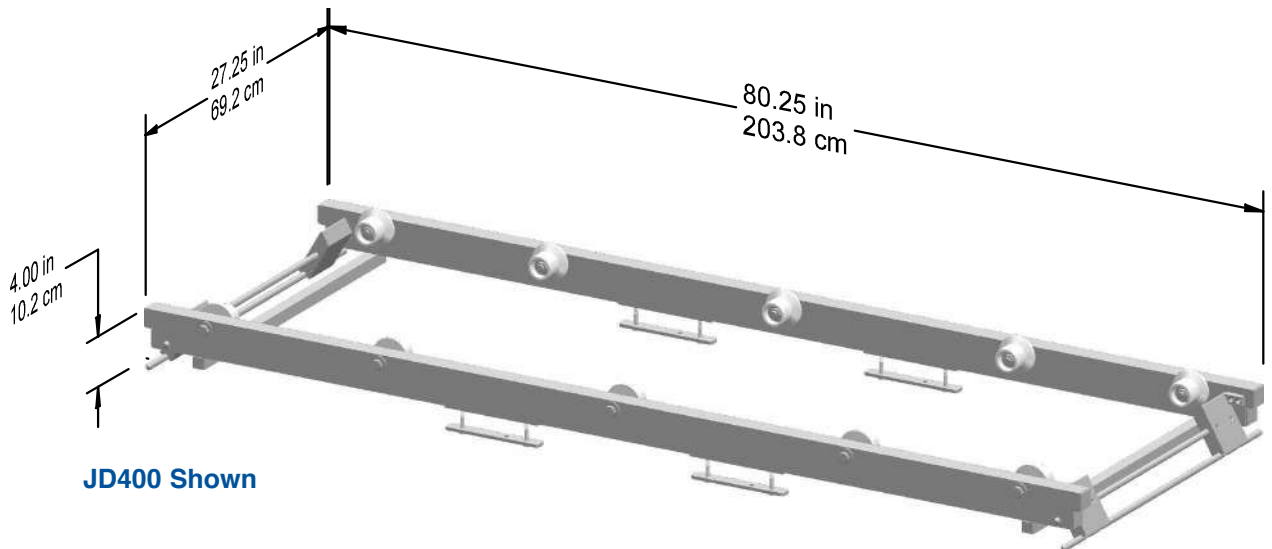
ISO: Quality Management System in compliance with ISO 9001:2008 and applies: Design, Engineering, Manufacturing and Installation of Equipment Distribution of Supplies for Morgue, Pathology, Histology and Necropsy Applications.

Product Description

Product No. JD400 - For JC100 23" Body Tray

Product No. JD410 - For JC101 27" Body Tray

The roller pallet is constructed in conjunction with the IE100 Morgue Rack and is designed to fit on the cadaver lifts. The main frame consists of two bearing rails, frame and tray lock. The JD400 roller pallet consists of 10 individual replaceable nylon roller wheels. The two bearing rails are welded together by a spacer frame which has four mounting holes so that the pallet can be mounted on the forks of the cadaver lift. Two tray locks are on each end of the pallet so that the tray can be removed from either end. These tray locks are self locking to prevent trays from rolling off. Material is stainless steel with a #4 satin finish. All welds are a continuous bead weld with all burrs and discoloration removed.



JD400 with JD305 lift



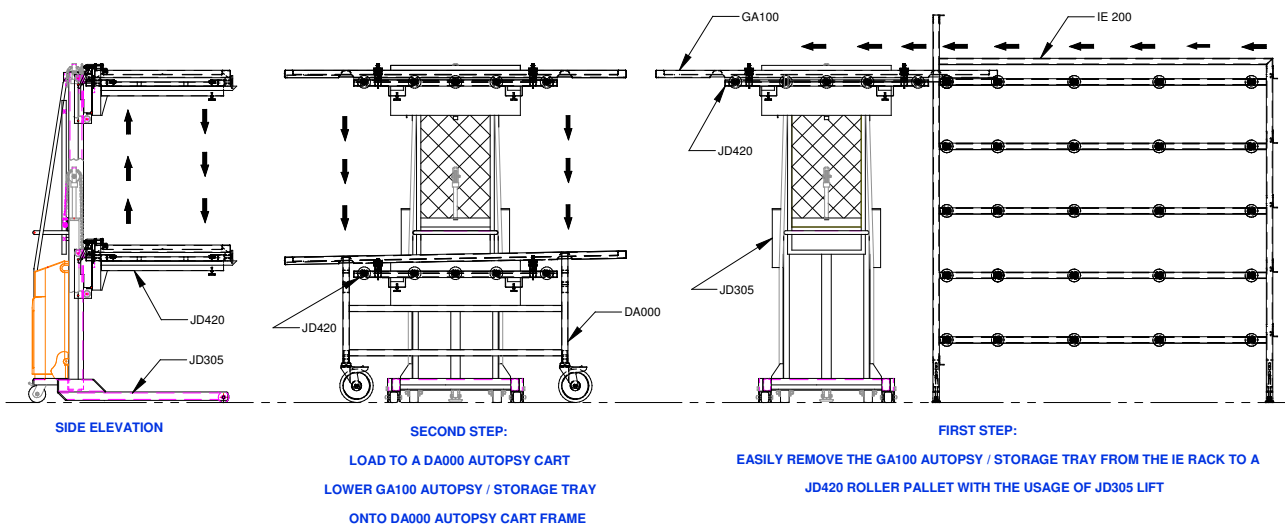
JD400 with JD305 lift

JD Series Dual Function Pallet System

The JD420 Dual Function Roller Pallet System is constructed to be used in conjunction with the IE200 Storage Morgue Rack and is designed to fit on the various Mopec cadaver lifts (JD305, JD405, JD710 and JD715). The JD420 dual functioning roller pallet consists of 10 individual replaceable nylon roller wheels. The two load-bearing rails are welded together by a spacer frame which has four mounting holes so that the pallet can simply be attached to the forks of most cadaver lifts. A tray lock is located on each end of the pallet so that the GA100 tray will be safely secured during lifting. The tray locks are self-locking to prevent the GA100 Autopsy/Storage tray from rolling while lifting into position. The JD420's unique lift and roll dual functionality allows for lifting the GA100 Autopsy Tray off of the DC100 Autopsy Cart frame then simply rolling the GA100 into the IE200 storage rack. Material is stainless steel with a #4 satin finish. All welds are a continuous bead weld with all burrs and discoloration removed.



JD710 with JD420



JD420 IE 200 Four body storage rack with GA100 autopsy cart

- 1
- 2
- 3
- 4
- 5
- 6
- 7
- 8
- 9
- 10
- 11

JD Series Cadaver Lifts

1

2

3

4

5

6

7

8

9

10

11



JD710 Series - Low Profile

The cadaver lift is a free rolling lift that can be used alone or along with the JD400 Roller Pallet, JD500 Tray Lifting Bars or the JD600 Body Lift Bar. Base and stabilizer are welded steel for extra support.

A unique feature of the JD710 Cadaver Lift is the folding lift legs that will retract for compact storage and movement through narrow doorways. Powder coated paint finish frame for long lasting and durable finish. Capacity of the JD710 is 1,000 pounds.

JD710 Standard Features - Low Profile

Casters: Non marring mold on Preforma Casters are durable and long lasting heavy-duty welded steel frame. Non marking casters easily roll over debris, curbs and soft or uneven ground without collection.

Roller Systems: Lightweight aluminum telescoping mast cross roller system is fabricated of extruded 6061-T6 aluminum with 4-point roller system between columns, which eliminates adjustment or servicing (patents pending).

Cables: Fabricated of 7/32 inch galvanized aircraft cable, complete with cable retaining system that prevents cable jumping.

Brakes: Safety brakes standard on all units.

Specifications:

Height: Stowed 78--1/2" (2 m)

Length: Stowed 29" (74 cm)

Length: Operating 59-1/2" - (1.5 m)

Width: Straddle base max inside 50" (1.27 m)

Load height: Min 6" (15 cm)

Ground clearance: 2" (5 cm)



JD715 Series

The JD715 is a modified JD710 with low profile legs to work with a DC-100, JA500, JA600 or JA620 cart bases. Folding lift legs retract for compact storage and movement through narrow doorways. Powder coated paint finish frame for long lasting and durable finish. Base and stabilizer are welded steel for extra support.

The cadaver lift is a free rolling lift that can be used alone or along with the JD400 Roller Pallet, JD500 Tray Lifting Bars or the JD600 Body Lift Bar. Capacity of the JD715 is 1,000 pounds.

JD715 Standard Features

Casters: Non marring mold on Preforma Casters are durable and long lasting heavy-duty welded steel frame. Non marking casters easily roll over debris, curbs and soft or uneven ground without collection.

Roller Systems: Lightweight aluminum telescoping mast cross roller system is fabricated of extruded 6061-T6 aluminum with 4-point roller system between columns, which eliminates adjustment or servicing (patents pending).

Cables: Fabricated of 7/32 inch galvanized aircraft cable, complete with cable retaining system that prevents cable jumping.

Brakes: Safety brakes standard on all units.

Specifications:

Height: Stowed 78--1/2" (2 m)

Length: Stowed 29" (74 cm)

Length: Operating 59-1/2" - (1.5 m)

Width: Straddle base max inside 50" (1.27 m)

Load height: Min 2" (5.08 cm)

Ground clearance: 3/8" (.95 cm)

Body Trays

High Density Polyethylene X-Ray Body Tray

Heavy-duty all white body tray with uncompromising construction for extra support. Specifically designed for mortuary and post mortem x-rays

- Virtually no shadowing on x-ray
- Resists most harsh chemicals
- Very easy to clean and disinfect
- Stackable for easy storage
- Weight capacity is 300 - 350 pounds
- Flat edge on underside for support and easy handling. Can be used on the Mopec DE100 Autopsy Roller Cart and roller type body storage racks
- Polyethylene construction will not chip, crack or splinter
- Dimensions: 77-1/2" L x 23" W x 3" D x 1/4" thick

Product No. JC200



JC200 Body Tray

Heavy-Duty All Stainless Steel Body Tray

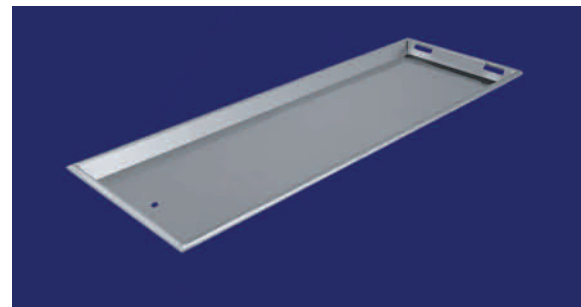
The JC Series Body Tray offers the standard 1" (2.5 cm) rolled edge construction and is fabricated of 18 gauge stainless steel with a #4 satin finish. All corners are welded with a continuous bead. Two hand slots are provided on each end of the tray for easy handling. Available in 2 widths, with or without drain holes. Length is 77" (195.5 cm)

Weight capacity is 375 pounds.

Used in conjunction with Mopec's Body Carrier, the body tray provides an economical and convenient means of transporting and storing cadavers.

Product No. JC100 for 23" width

Product No. JC101 for 27" width



JC100 Body Tray shown with drain hole

Stainless Steel Body Slats

Elevates the body to allow waste to drain without obstruction. Suggested placement of slats are shoulders, buttocks, heels and head. Made of stainless steel the body slat measures 9" wide. Sold individually. Can also be custom made.

Product No. GO023 for 23" width body tray

Product No. GO027 for 27" width body tray

ISO: Quality Management System in compliance with ISO 9001:2008 and applies: Design, Engineering, Manufacturing and Installation of Equipment Distribution of Supplies for Morgue, Pathology, Histology and Necropsy Applications.



JC100 Body Trays shown with JB000 Carrier



GO027 Body slats shown on DD000 cart and JC101 Body Tray

1

2

3

4

5

6

7

8

9

10

11

JD305 Hydraulic Body Fork Lift

JD405 Hydraulic Body Fork Lift Power Propelled

1

2

3

4

5

6

7

8

9

10

11

The JD305 is Fully Assembled

The JD305 is a compact, battery powered lift designed to help alleviate physical strain caused by manual lifting and transporting. Lightweight, easy to operate and highly maneuverable. Allows easy movement in confined spaces and narrow aisles. This compact model can roll through any standard 78" (198.1cm) door. Do not let the compact size be deceiving, the JD305 can lift all size bodies to most five tier storage racks. The maximum lifting capacity is 1000 lbs (453.5kg).

The JD305 has a built-in charger offering hundred of lifts on a single charge. The easy to read illuminated battery status voltmeter lets you know when it is time to recharge. Another standard feature are the low-profile legs. This unique feature allows the technician to navigate this lift under virtually any stretcher or transport cart currently on the market. The JD305 eliminates the constant cranking motion of a manual lift and the low maintenance required make the JD305 the perfect lift for any laboratory or medical center.

Product Dimensions: 48" L x 32" W x 78" H
(121.9 cm x 81.2 cm x 198.2 cm)

Maximum Lifting Height: 75" H (190.5 cm)

Maximum Lifting Capacity: 1000 lbs. (453.5 kg)



Mopec's Best Selling Body Lift!



JD405 Power Propelled Body Lift

Mopec's JD405 body lift provides both propulsion and lifting through a battery powered system. A simple hand control provides variable forward and reverse speeds.



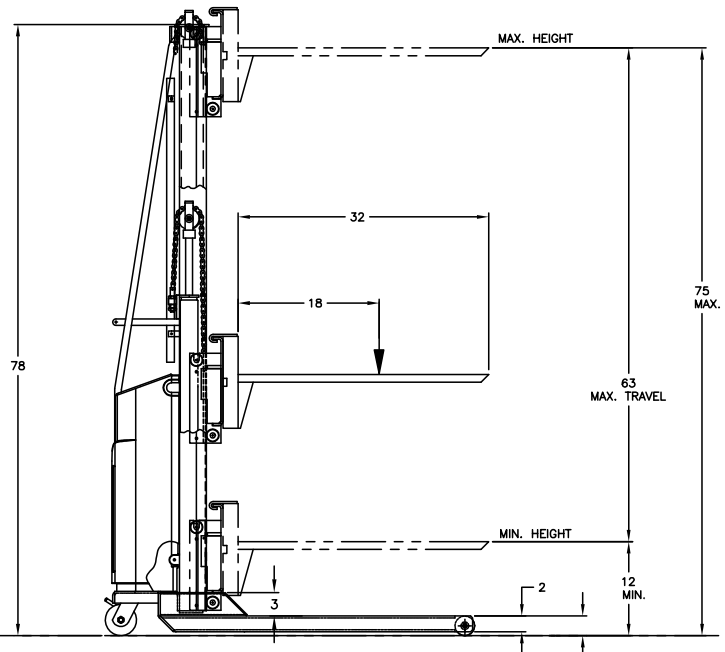
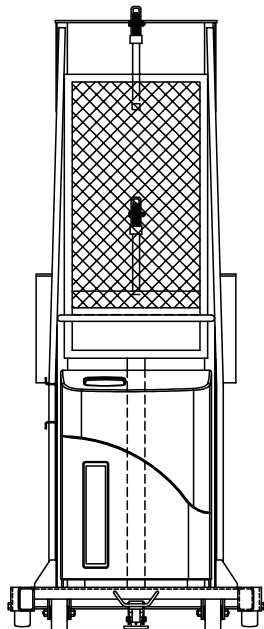
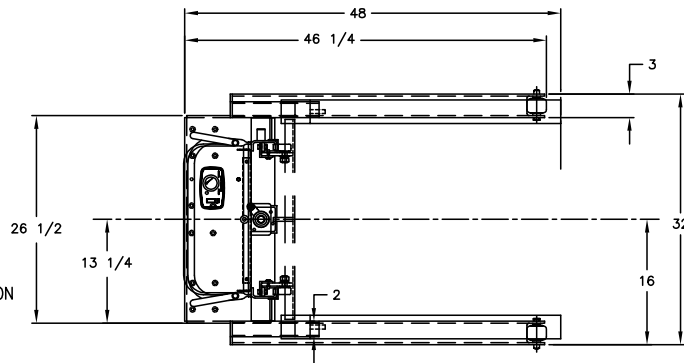
JD305 with DB100 cart

JD305 Hydraulic Body Fork Lift

Non-Power Propelled

NOTES:

1. CAPACITY = 1000 lbs.
2. LOWERED HEIGHT = 12"
3. RAISED HEIGHT = 75"
4. LUBRICATE RAILS W/LITHIUM BASED GREASE
5. LUBRICATE CASTERS EVERY 75 HRS OF USE.
6. TABLE MUST BE CENTRALLY LOADED FOR SAFE OPERATION
7. DO NOT MOVE TABLE IN THE RAISED POSITION.
8. PAINT - SILVER (PANTONE COLOR - COOL GRAY 6C)



JD305 with JD400 cadaver lift roller pallet



JD305 shown with JD500 Support Bars with Body Straps, JA300 Single Body Tray Carrier and JC100 Body Tray

- 1
- 2
- 3
- 4
- 5
- 6
- 7
- 8
- 9
- 10
- 11

JD3000 Overhead Body Lift

1



When you want the versatility and convenience of a body lift, the JD3000 is the logical choice. Able to lift up to 1,000 pounds the JD3000 is an overhead body lift crane that will support safe transfer. The four locking casters provide secure positioning. The lower support frame is constructed of 10 gauge stainless steel and reinforced with welded support brackets for maximum strength. The JD3000 can be assembled in minutes and is designed to give many years of maintenance free service.

2

3

4

5

6

7

8



JD3000 with JA600 transport cart



9

10

11

JD3000 Standard Features

Height Adjustment: Adjust to most ceiling heights

Minimum Height: 78" H **Maximum Height:** 102"

Casters: Four each. Locking casters allow secure positioning of your crane

Beam: Available in 4, 6 or 8 feet to match your work area

JD3004 4 Foot Beam

JD3006 6 Foot Beam

JD3000 8 Foot Beam

Straps: Included are three each slick white straps (36" x 3") rigid enough to slide under the cadaver, yet flexible enough to securely hold the cadaver. The straps are non-porous, moisture, strong acid, chemical, bacterial growth and highly chemical resistant. Also included is a canvas head sling.

Electrical: 115 V 10' line power cord

Controller: Hand held operating controller

Weight Capacity: Each lift can hold 1000 pounds

JD3500 Body Lift only, can be purchased for use with your existing ceiling track system. Please contact Mopec to ensure compatibility.



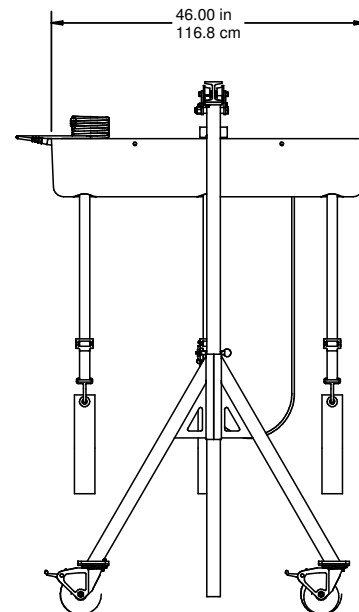
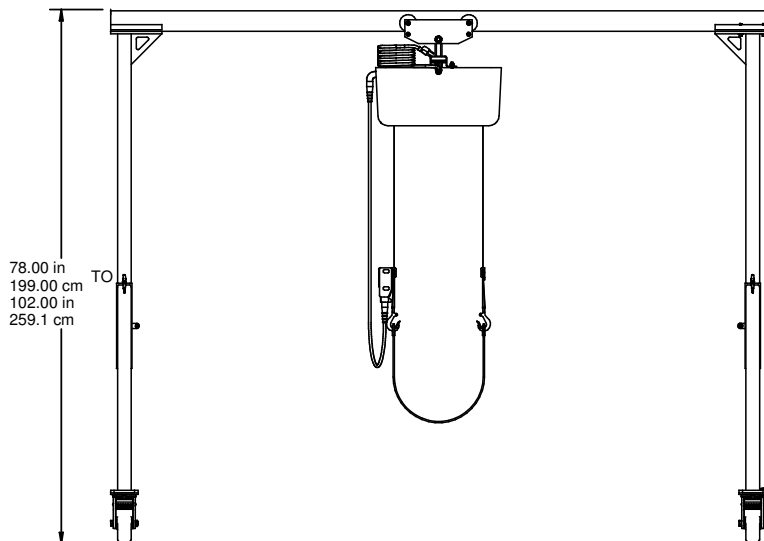
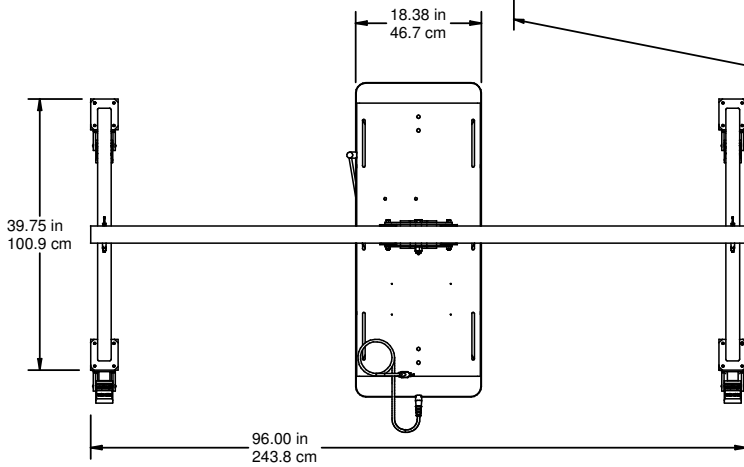
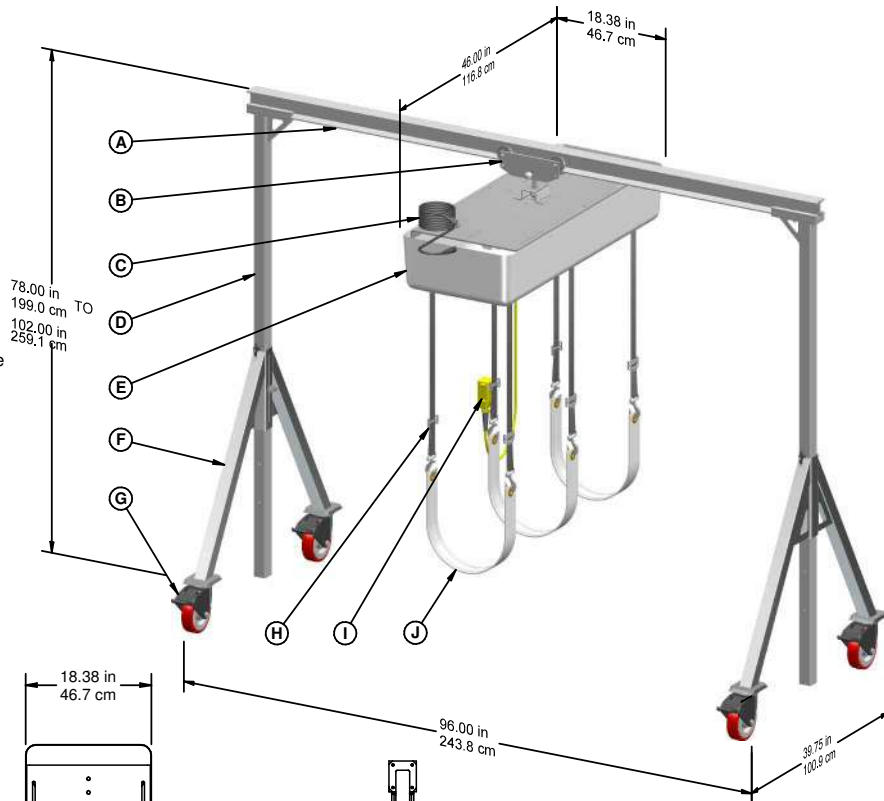
JD3000 shown with telescoping cooler

JD3000 Overhead Body Lift

JD3000

STANDARD FEATURES:

- A 8 FT. I Beam
- B Trolley with 360 Rotation
- C Power Cord
- D Adjustable Riser Beam (2 Req'd)
- E Mopec Power Lift
- F Removable Support Leg (2 Req'd)
- G 6" Caster Wheel with Swivel & Brake
- H Adjustable Lift Belts
- I Hand Held Lift Controller
- J Nylon Carrying Hoops

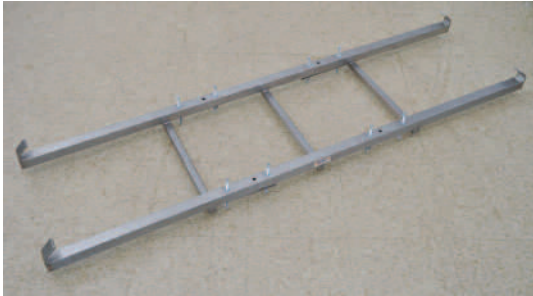


Accessories for JD Series Lifts

1

JD500 Cadaver Tray Lift Bars with Straps

The JD500 Cadaver Lift Bar System product consists of two heavy-duty bars along with nylon straps that securely attach to the hand slots of the body trays for easy elevation. To be used in conjunction with the JD Series Cadaver Lifts. Made of stainless steel with a #4 satin finish.



2

3

4

5

JD500 Standard Features

Support Bars: 1-1/2", 11 gauge wall

Nylon Straps: 1", 36" basket

Basket Style: Rated at 2200 lbs.

Fork Saddle: 14 gauge stainless steel



7

8

9

10

11



JD600 Cadaver Body Lift Bar with Straps

The Mopec cadaver body bar is designed in conjunction with the JD-Series Cadaver Lifts. Simply slide the nylon straps under the body and attach to the cadaver body bar for easy and effortless cadaver removal. Made of stainless steel with a #4 satin finish.

Support Bars: 1-1/2", 11 gauge wall

Nylon Straps: 3", 54" basket

Basket Style: Rated at 500 lbs.

Fork Saddle: 14 gauge stainless steel



JD600 shown with JD710 Body Lift



JD710 with JD600 bar

JD610 Bariatric Cadaver Body Lift Bar with Straps (Heavy Duty)

Nylon Sling: Five heavy duty, 2" wide x 60" - 72" L - eye to eye

Support Bar: One heavy duty 60" long

Basket Style: Rated at 1000 lbs.



JD610 Lift Body Straps shown with JD710 Body Lift

MORGUE REFRIGERATION

Chapter 9



Mopec Refrigeration Technology.....	358-359
Telescoping Tray System.....	360
Roll-In Refrigeration.....	368
Conveyor Tray System.....	372
Walk In Refrigerator System.....	382

Mopec Refrigeration Technology

1

2

3

4

5

6

7

8

9

10

11



End Opening Conveyor Tray System



End Opening Door



End Opening With Telescoping Mechanism Fully Extended

Mopec offers three styles of coolers with a wide variety of models; a telescoping tray system, a conveyor roller system and a walk in morgue refrigerator.

Telescoping Tray System

The first and most common type of refrigerator is one that contains a telescoping tray system. This style is available in end opening, side opening and roll in configurations. The telescoping tray system is designed to support the body and tray even when fully extended. The entire body is in full view when extended from the refrigerator.

Conveyor Tray System

The conveyor tray system is available in the end opening, side opening and roll in configurations. The conveyor tray system is designed so that the body tray rolls in/out of the cooler using a conveyor roller mechanism. The conveyor roller mechanism is permanently mounted within the cooler. Only the body tray moves in and out of the refrigerator.

Walk-In Refrigerator

The third style cooler is the walk in refrigerator/cooler system. The bodies can be stored on individual stretchers and/or multiple body storage racks.

Mopec Refrigeration Technology

Intelligently Designed From The Inside Out



Side Opening With Telescoping Mechanism Fully Extended



Custom Built Mortuary Cooler With IE100 Mortuary Rack



Doors and framework are encased with extruded anodized aluminum for superior strength. Stainless steel surface (optional) inside and out for easy cleaning and disinfecting.

Advanced Refrigeration System

Standard Mopec refrigeration units are equipped with all the refrigeration components — evaporator, compressor and thermostat uniquely located outside the refrigerator for a revolution in maintenance and service convenience.

Safe Service and Easy Access: All serviceable components are conveniently located outside the unit. The completely self contained system can be serviced in place or removed for maintenance and repairs.

Efficient Operation: The convenient features of Mopec units demonstrate practicality and reliability. The insulated evaporator and ventilated compressor compartments offer greatly reduced noise during operation, making it one of the quietest refrigeration units in the industry.

Simple to Install: The advanced design features make our units virtually hassle free to install. With a non-electric condensation vaporizer located inside the system, no drain or pump connection are needed for condensation lines. One easy step for proper installation with one single-point electrical connection.

Frameless Panel Construction

All Mopec refrigerators are manufactured using **FRAMELESS** panel construction, eliminating the need for the old fashioned wood frame which decomposes and causes condensation. The metal clad panels are fabricated with foamed-in-place structural polyurethane and tongue-n-groove construction provide exceptional strength and insulation value.

Innovative Design Features

Superior Door Design: For guaranteed strength, Mopec provides quality flush doors complete with patented extruded anodized aluminum frames. Each unit's interior and exterior is clad of stainless steel that makes cleaning virtually effortless. The magnetic rubber gaskets give the tightest seal, while a heated perimeter and strike surface eliminate condensation.

Secure Seals: The panel structure of each cooler is heavy-duty for the tough day-to-day wear and tear. Embedded within the structural insulation are continuous and unbroken extruded vinyl gaskets that will not deteriorate or come loose.

Ozone Friendly: To prevent ozone depletion, the structural insulation foam is expanded using HFC-134a. This method is CFC free and environmentally responsible.

- 1
- 2
- 3
- 4
- 5
- 6
- 7
- 8
- 9
- 10
- 11

Telescoping Tray System

End Opening, Side Opening and Roll-In Combinations

1

2

3

4

5

6

7

8

9

10

11



KC200
Side Opening



Dual shock absorbers and safety cables gently lower and support side opening doors



Continuous and unbroken extruded vinyl gaskets, firmly embedded in CFC free insulated foam panels, will not deteriorate or loosen



End Opening
KA200

End Opening Refrigerators

End opening telescoping morgue refrigerators are designed with individual door openings measuring 27" W x 22" H (68.6 cm x 55.8 cm). A telescoping mechanism fully supports the body tray. When the door is open and the end of the telescoping mechanism is fully extended, the tray is in full head-to-toe view. The cadaver can be removed alone or with the body tray.

Side Opening Refrigerators

Side opening telescoping morgue refrigerators are designed with individual doors 83" W x 21" H (210.8 cm x 53.3 cm). A telescoping mechanism fully supports the body tray. When the door is open, the body tray and cadaver are displayed in full side view.

Roll-In Refrigerators

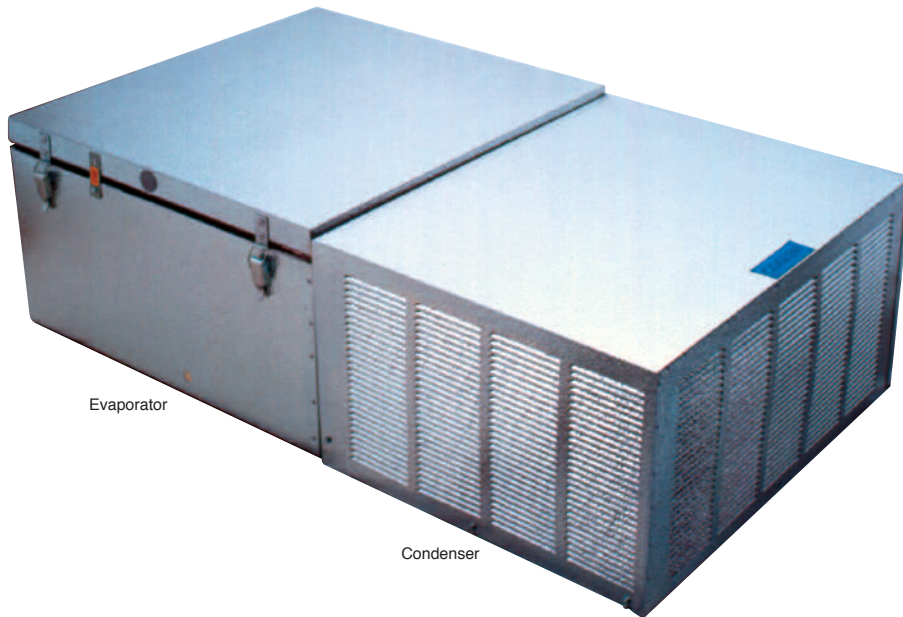
Roll-in morgue refrigerators are designed to be used with a one tier or two tier body carrier. Individual doors are available in two sizes (27.5" W x 51" H or 42" W x 51" H) and open to a compartment that easily accommodates a two tier body carrier.

Roll-In/End Opening Combination

Roll in/end opening combination morgue refrigerators are designed for use with telescoping mechanisms and a two tier body carrier. One door is 27-1/2" W x 21" H located directly over a roll in door 36" W x 51" H. This cooler combines both the roll in and end opening features. Remove the cadaver by extending the telescoping mechanism or rolling the one tier or two tier body carrier out of the cooler.

Telescoping Tray System

End Opening, Side Opening and Roll-In Combinations



Interior release latches in case of accidental enclosure



Spring loaded hinges for hands free closure

Standard Features

Exterior Metal Finish: (Front) 20 gauge with #4 satin finish stainless steel.

Exterior Metal Finish: (Balance) 26 gauge corrosion resistant stucco embossed coated steel.

Interior Metal Finish: (Floor) Galvanized steel, 14 gauge smooth finish.

Interior Metal Finish: (Balance) 26 gauge corrosion resistant stucco embossed coated steel.

Insulation: Foamed in place polyurethane insulation. Full 4" thick, UL Class 1 rigid polyurethane with 20 cubic foot density. "K" ≤ .135 BTU/HR, "U" = .033. CFC free and zero ozone depletion.

Doors: Fabricated with 22 gauge stainless steel inside and outside. Door frame and door are each fabricated of an extruded aluminum frame with a vinyl thermo breaker.

Hardware: (End Opening) Each door is provided with cam lift hinges, pull handles with keylock, magnetic gasket and perimeter frame wire heater.

Hardware: (Side Opening) Each door is provided with pull handles with keylock, (two each) motion dampeners, (two each) safety cables, magnetic gasket and perimeter frame wire heater.

Light: Vapor proof incandescent light and door controlled light switch.

Telescoping Mechanism: Three piece heavy gauge zinc plated steel with nylon rollers.

Body Tray: Mopec's JC100 23" W x 77" L stainless steel.

Capsule Pak Refrigeration System (Mopec Exclusive): The air cooled, welded hermetic refrigeration system is a self contained unit that simply sets above an opening in the top of the refrigerator compartment. All components are conveniently

located outside the refrigerator. The system can be serviced in place or easily removed for maintenance—your technician need not enter the cooler compartment. No longer does the technician need to expose themselves to potential bacteria within the refrigerated structure.

Operating Temperature: 39°F (4°C).

Optional Features

High/Low, Audio/Visual Temperature Alarm

Product No. KO001

Temperature Recorder, 7 Day Chart, 10" Diameter Single Pen

Product No. KO002

Low Temperature Refrigeration (freezer)

System Operating Temperature -4°F (-20°C)

Optional Material Finishes (Interior and Exterior)

20 Gauge stainless steel with a #4 satin finish

20 Gauge embossed aluminum with a white epoxy finish.
Additional colors available.

20 Gauge smooth pre-primed steel with a white epoxy finish.
Additional colors available.

1

2

3

4

5

6

7

8

9

10

11

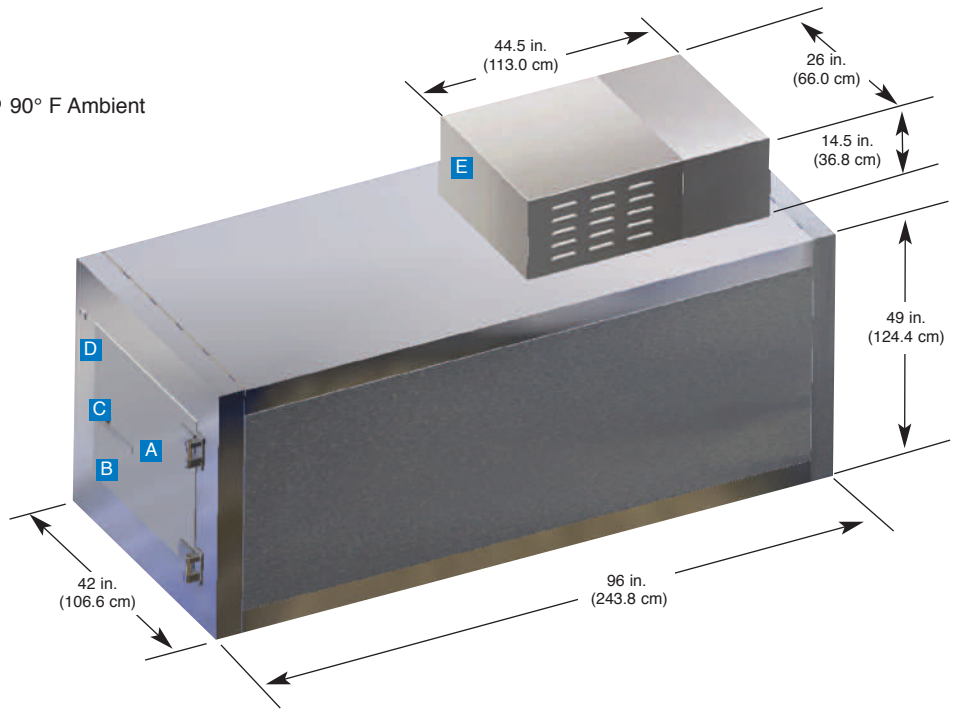
Telescoping Tray System

1

KA100 End Opening, 1 Body

- Operating Temperature: 39°F (4°C)
- 1/2 Horsepower
- R404 Refrigerant
- Electrical 120 Volt/60Hz/1Ph
- System Capacity: 3500 BTU/HR @ 90° F Ambient

- A** Door Tag
- B** Door Handle
- C** Door Opening (27" W x 22" H)
- D** Digital Thermometer
- E** Capsule Pak Refrigeration System



End Opening Morgue Refrigerators

End opening morgue refrigerators are designed with individual 27" W x 22" H (68.6 cm x 55.88 cm) doors.

The telescoping mechanism fully supports the body tray containing the cadaver. Maximum weight capacity is 375 pounds. If you need a larger weight capacity, contact Mopec. When the door is open and the end of the telescoping mechanism is fully extended approximately 6'-6", the body and tray are in full head-to-toe view. The cadaver can be removed by itself or with the body tray.

2

3

4

5

6

7

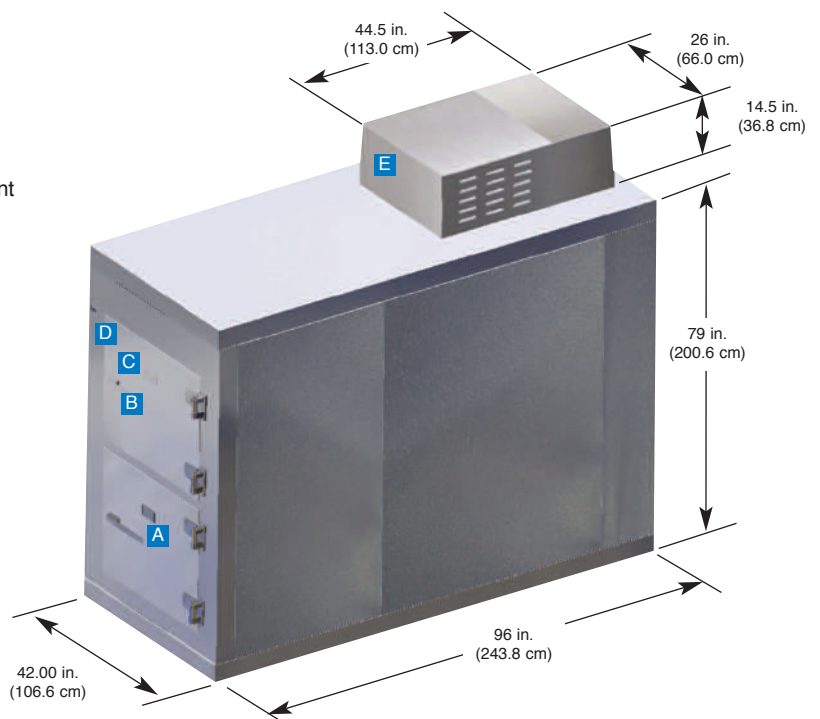
8

9

KA200 End Opening, 2 Body

- Operating Temperature: 39°F (4°C)
- 1/2 Horsepower
- R404 Refrigerant
- Electrical 120 Volt/60Hz/1Ph
- System Capacity: 3500 BTU/HR @ 90° F Ambient

- A** Door Tag
- B** Door Handle
- C** Door Opening (27" W x 22" H)
- D** Digital Thermometer
- E** Capsule Pak Refrigeration System



10

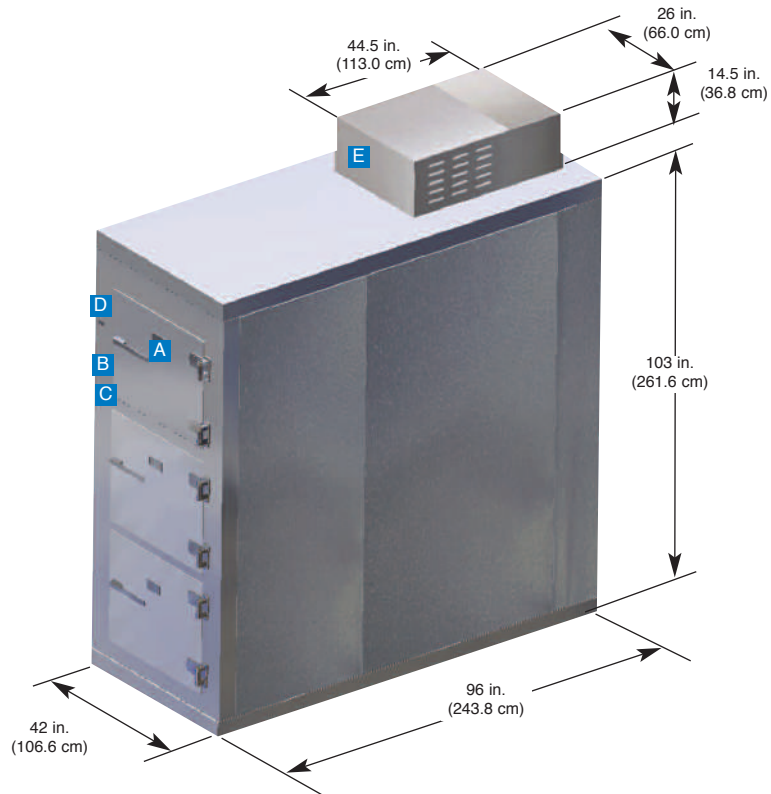
11

Telescoping Tray System

KA300 End Opening, 3 Body

- Operating Temperature: 39°F (4°C)
- 1/2 Horsepower
- R404 Refrigerant
- Electrical 120 Volt/60Hz/1Ph
- System Capacity: 3500 BTU/HR @ 90° F Ambient

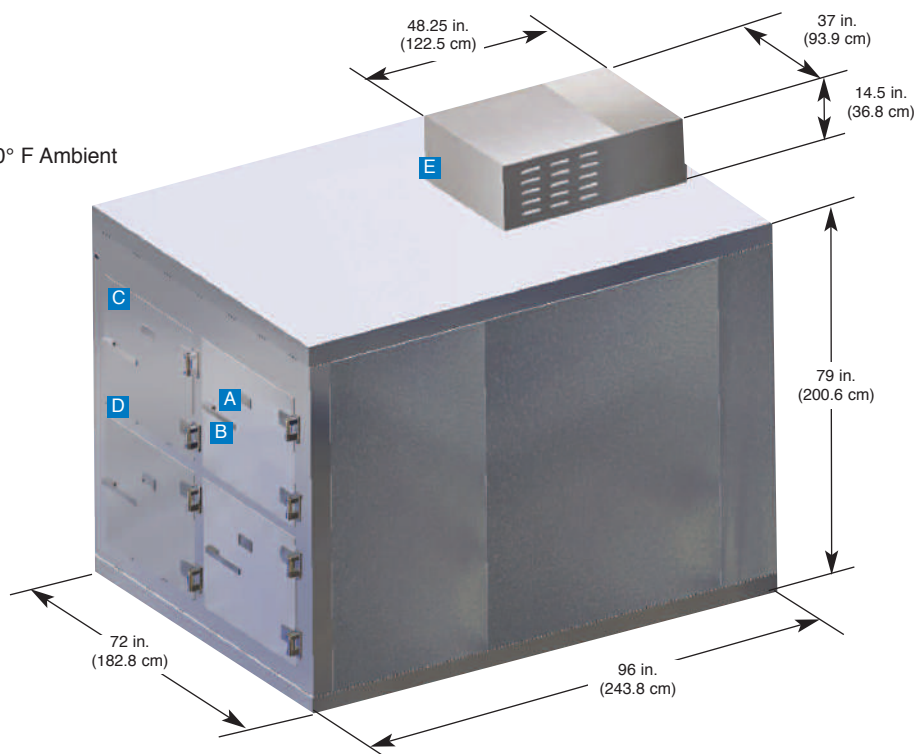
- A** Door Tag
- B** Door Handle
- C** Door Opening (27" W x 22" H)
- D** Digital Thermometer
- E** Capsule Pak Refrigeration System



KA400 End Opening, 4 Body (2 x 2)

- Operating Temperature: 39°F (4°C)
- 3/4 Horsepower
- R404 Refrigerant
- Electrical (208-230) Volt/60Hz/1Ph
- System Capacity: 5400 BTU/HR @ 90° F Ambient

- A** Door Tag
- B** Door Handle
- C** Digital Thermometer
- D** Door Opening (27" W x 22" H)
- E** Capsule Pak Refrigeration System



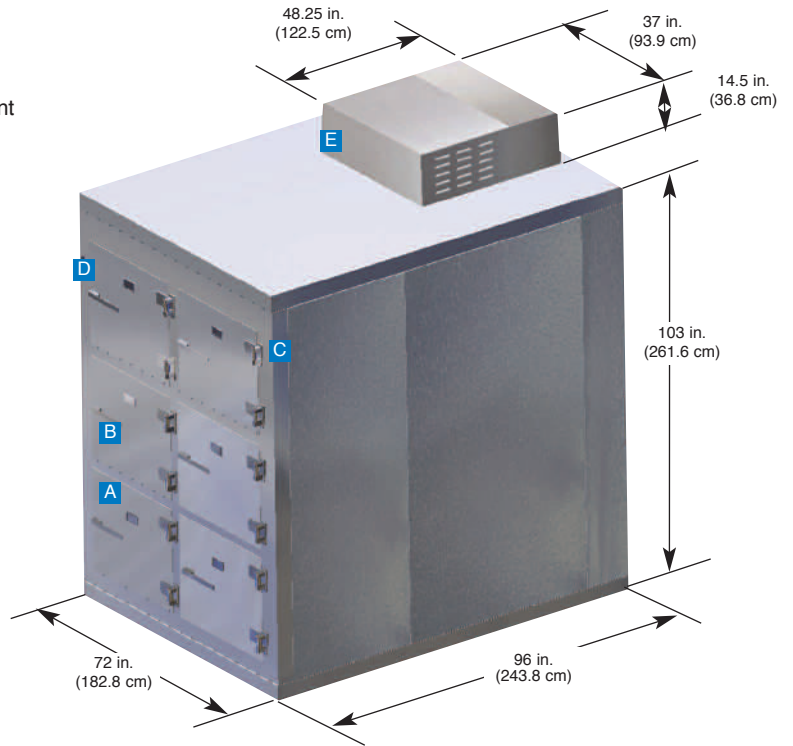
Telescoping Tray System

1

KA500 End Opening, 6 Body (3 x 2)

- Operating Temperature: 39°F (4°C)
- 3/4 Horsepower
- R404 Refrigerant
- Electrical (208-230) Volt/60Hz/1Ph
- System Capacity: 5400 BTU/HR @ 90° F Ambient

- A** Door Tag
- B** Door Handle
- C** Digital Thermometer
- D** Door Opening (27" W x 22" H)
- E** Capsule Pak Refrigeration System



2

3

4

5

6

7

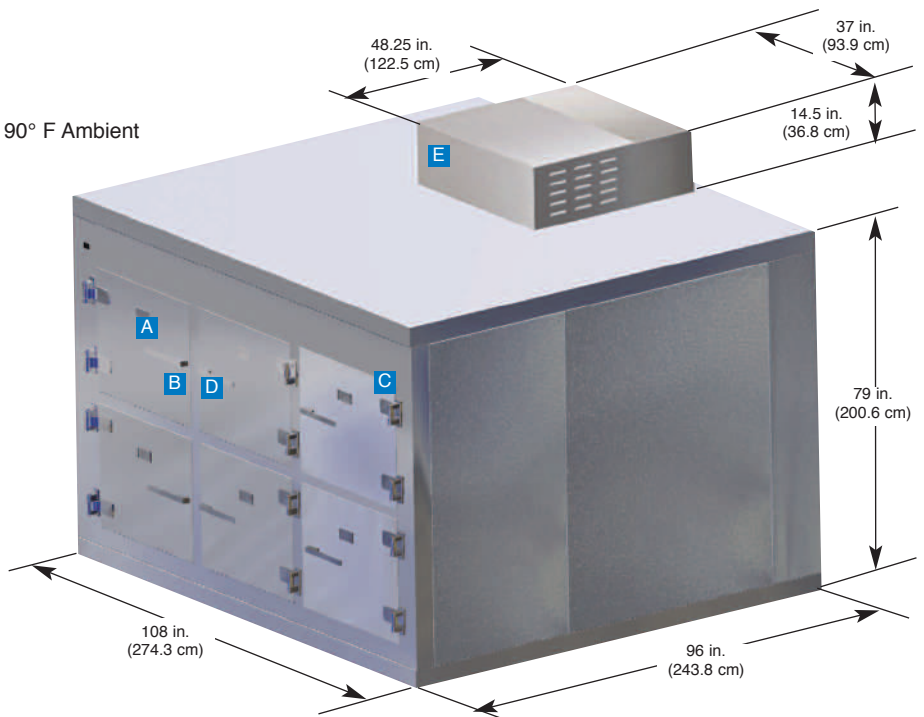
8

9

KA510 End Opening, 6 Body (2 x 3)

- Operating Temperature: 39°F (4°C)
- 3/4 Horsepower
- R404 Refrigerant
- Electrical (208-230) Volt/60Hz/1Ph
- System Capacity: 5400 BTU/HR @ 90° F Ambient

- A** Door Tag
- B** Door Handle
- C** Digital Thermometer
- D** Door Opening (27" W x 22" H)
- E** Capsule Pak Refrigeration System



10

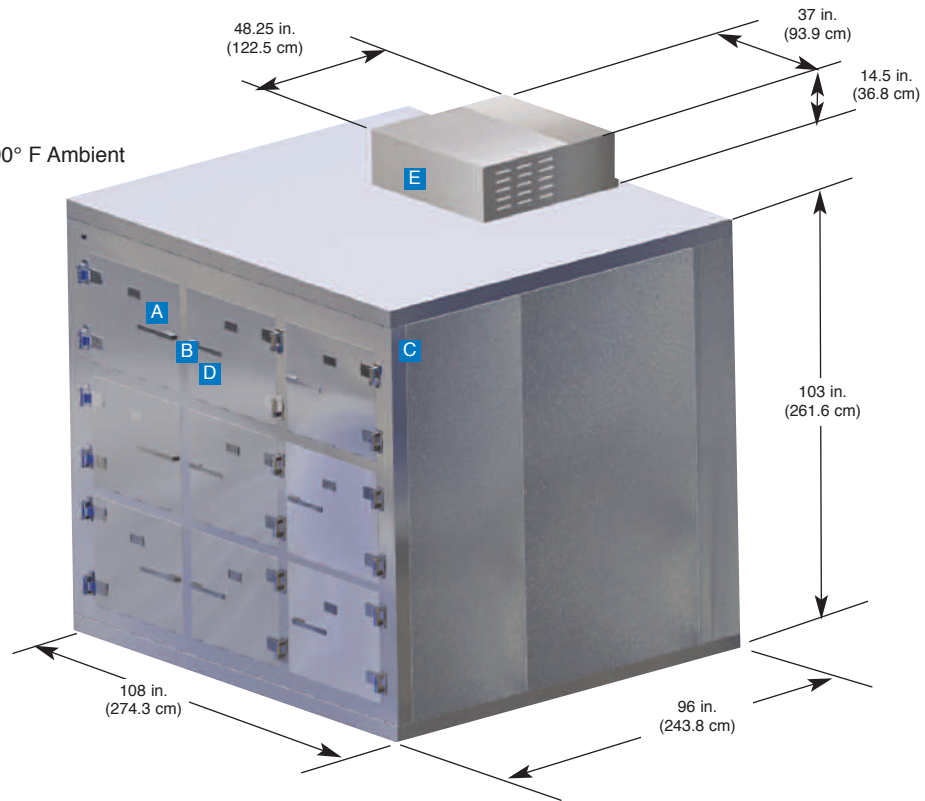
11

Telescoping Tray System

KA600 End Opening, 9 Body (3 x 3)

- Operating Temperature: 39°F (4°C)
- 3/4 Horsepower
- R404 Refrigerant
- Electrical (208-230) Volt/60Hz/1Ph
- System Capacity: 5400 BTU/HR @ 90° F Ambient

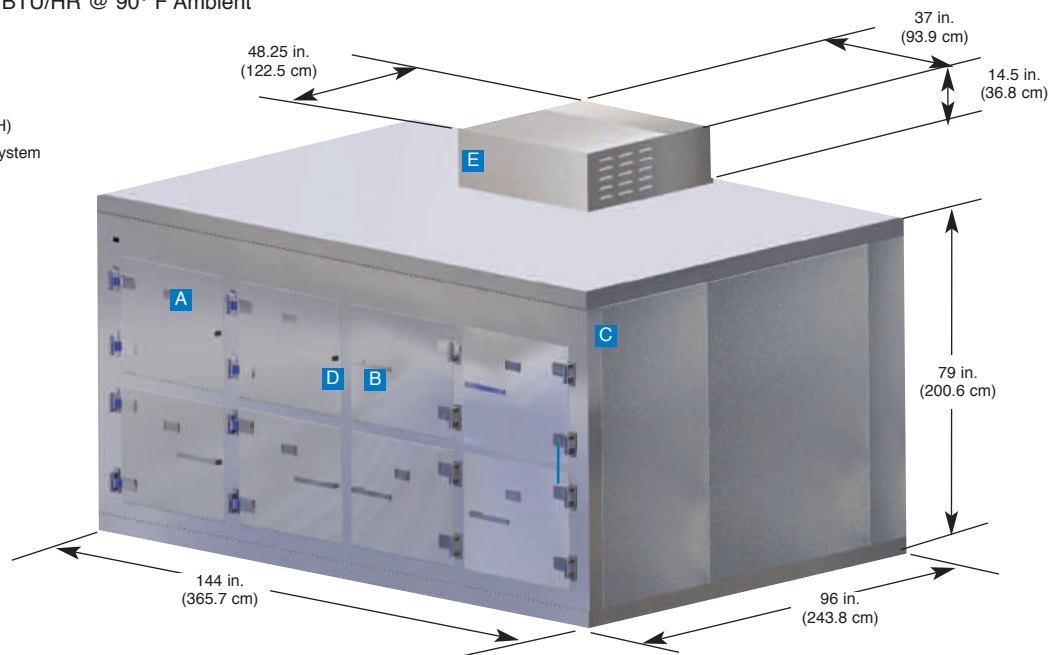
- A** Door Tag
- B** Door Handle
- C** Digital Thermometer
- D** Door Opening (27" W x 22" H)
- E** Capsule Pak Refrigeration System



KA700 End Opening, 8 Body (2 x 4)

- Operating Temperature: 39°F (4°C)
- 3/4 Horsepower
- R404 Refrigerant
- Electrical (208-230) Volt/60Hz/1Ph
- System Capacity: 5400 BTU/HR @ 90° F Ambient

- A** Door Tag
- B** Door Handle
- C** Digital Thermometer
- D** Door Opening (27" W x 22" H)
- E** Capsule Pak Refrigeration System



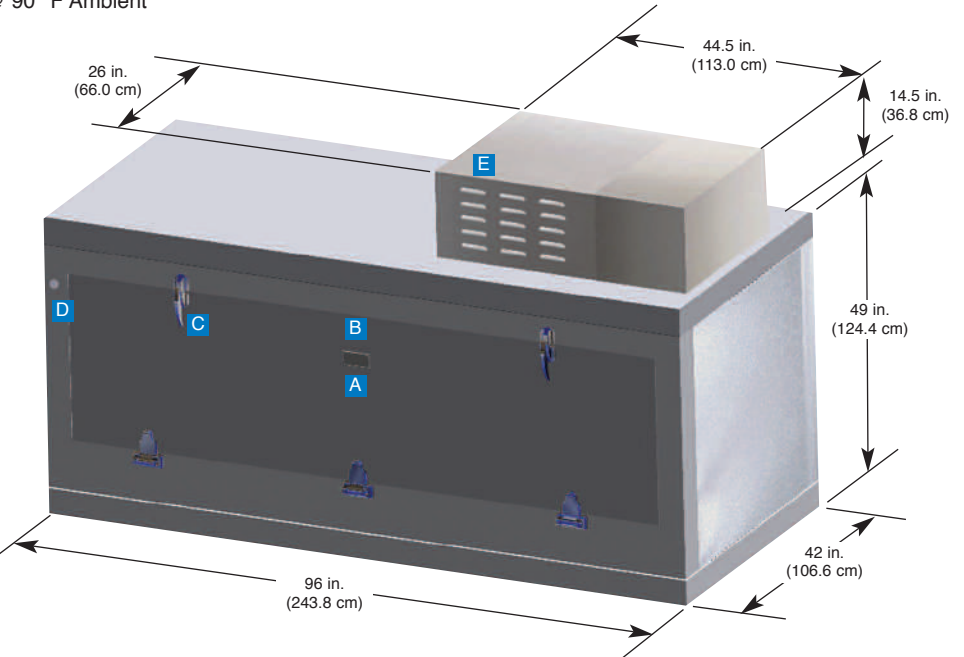
Telescoping Tray System

1

KC100 Side Opening, 1 Body

- Operating Temperature: 39°F (4°C)
- 1/2 Horsepower
- R404 Refrigerant
- Electrical 120 Volt/60Hz/1Ph
- System Capacity: 3500 BTU/HR @ 90° F Ambient

- A** Door Tag
- B** Door Opening (83" W x 21" H)
- C** Door Latch
- D** Digital Thermometer
- E** Capsule Pak Refrigeration System



Side Opening Morgue Refrigerators

Side opening morgue refrigerators are designed with individual 83" W x 21" H (210.8 cm x 53.3 cm) doors.

The telescoping mechanism fully supports a body tray containing the cadaver. Maximum weight capacity is 375 pounds. If you need a larger weight capacity, contact the Customer Service Department at Mopec. When the door is open, the telescoping mechanism, body tray and cadaver are displayed in full side view.

2

3

4

5

6

7

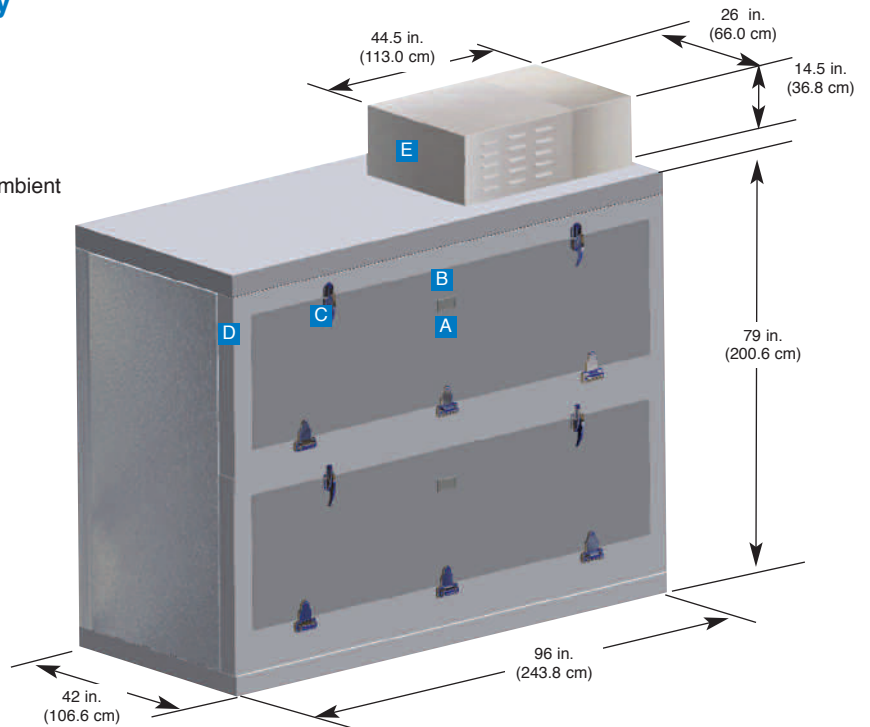
8

9

KC200 Side Opening, 2 Body

- Operating Temperature: 39°F (4°C)
- 1/2 Horsepower
- R404 Refrigerant
- Electrical 120 Volt/60Hz/1Ph
- System Capacity: 3500 BTU/HR @ 90° F Ambient

- A** Door Tag
- B** Door Opening
- C** Door Latch
- D** Digital Thermometer
- E** Capsule Pak Refrigeration System



10

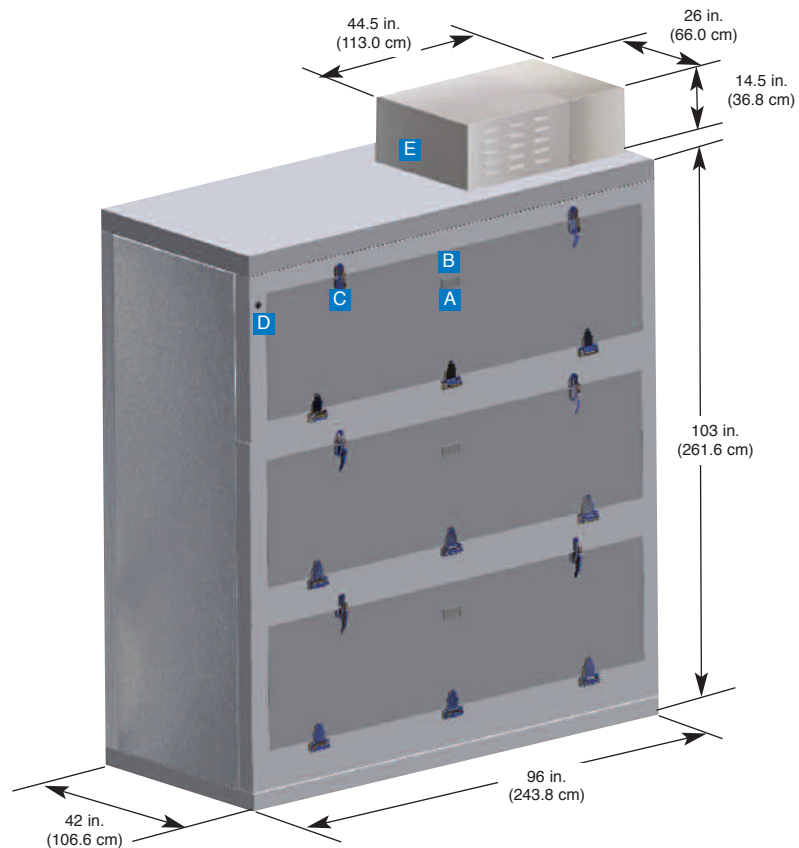
11

Telescoping Tray System

KC300 Side Opening, 3 Body

- Operating Temperature: 39°F (4°C)
- 1/2 Horsepower
- R404 Refrigerant
- Electrical 120 Volt/60Hz/1Ph
- System Capacity: 3500 BTU/HR @ 90° F Ambient

- A** Door Tag
- B** Door Opening (83" W x 21" H)
- C** Door Latch
- D** Digital Thermometer
- E** Capsule Pak Refrigeration System



Side Opening Morgue Refrigerators

Side opening morgue refrigerators are designed with individual 83" W x 21" H (210.82 cm x 53.3 cm) doors.

The telescoping mechanism fully supports a body tray containing the cadaver. Maximum weight capacity is 375 pounds. If you need a larger weight capacity, contact the Customer Service Department at Mopec. When the door is open, the telescoping mechanism, body tray and cadaver are displayed in full side view.



KC200 Side Opening



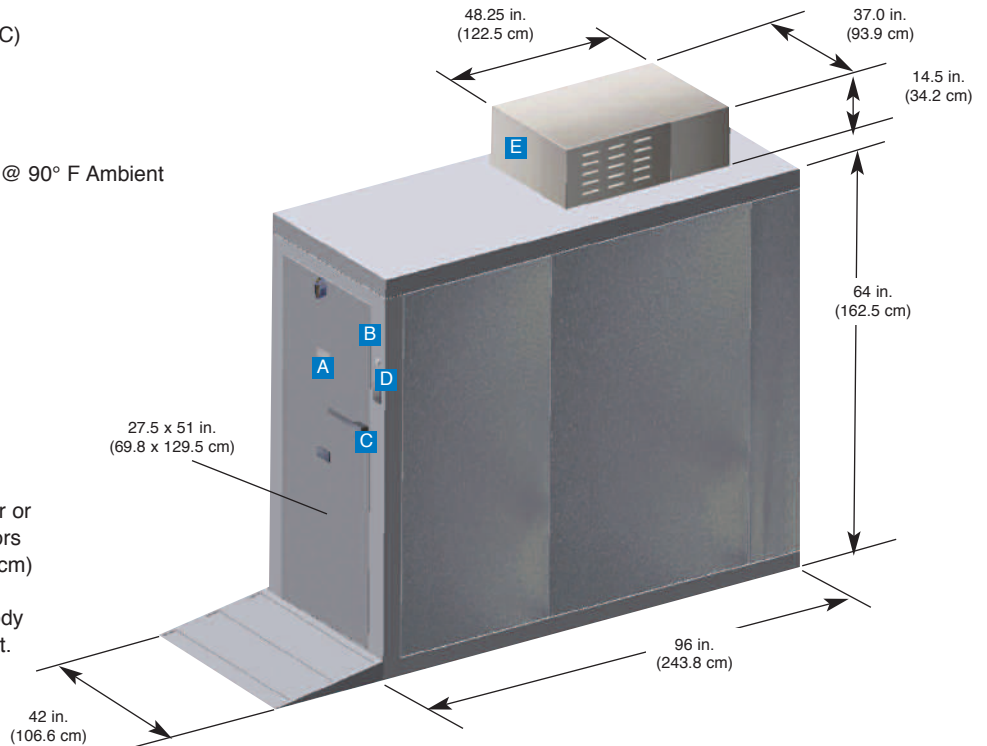
Roll-In Refrigeration

1

KB100 Roll-In, 2 Body

- Operating Temperature: 39°F (4°C)
- 1/2 Horsepower
- R404 Refrigerant
- Electrical 120 Volt/60Hz/1Ph
- System Capacity: 3500 BTU/HR @ 90° F Ambient

- A** Door Tag
- B** Door Opening
- C** Door Latch
- D** Digital Thermometer
- E** Capsule Pak Refrigeration System



2

3

Roll-In Morgue Refrigerators

Roll-in morgue refrigerators are designed to be used with a one tier or two tier body carrier. Individual doors 27.5" W x 51" H (69.9 cm x 129.5 cm) open to a compartment that easily accommodates a two tier body carrier that is simply rolled in or out. Ramp included.

4

5

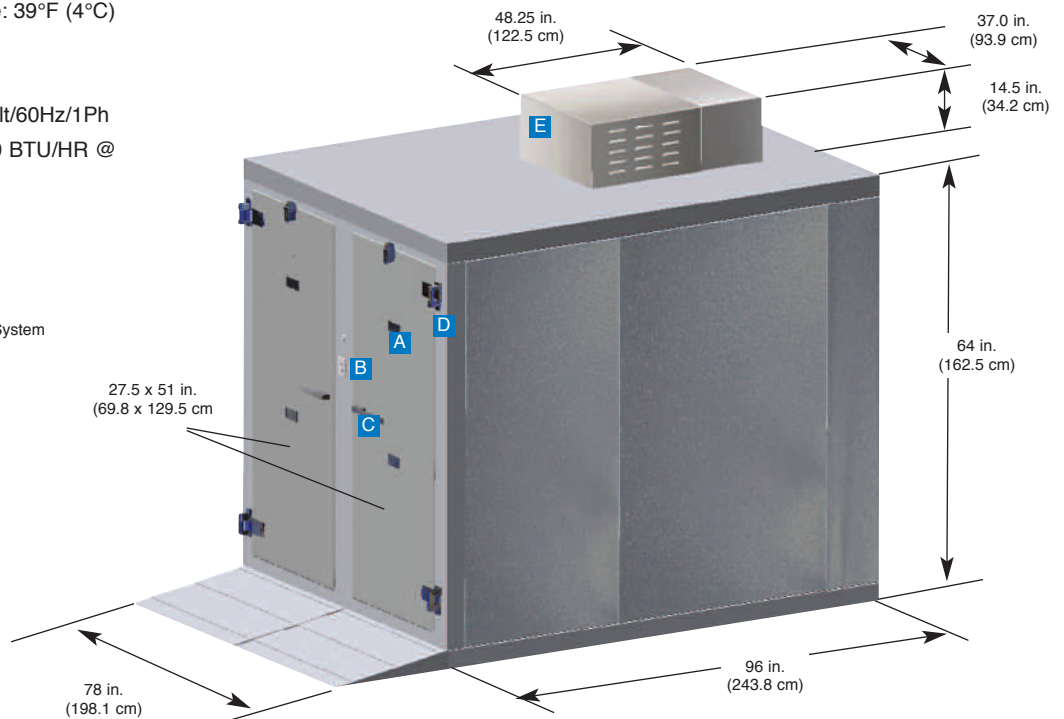
6

7

KB200 Roll-In, 4 Body

- Operating Temperature: 39°F (4°C)
- 3/4 Horsepower
- R404 Refrigerant
- Electrical (208-230) Volt/60Hz/1Ph
- System Capacity: 5400 BTU/HR @ 90° F Ambient

- A** Door Tag
- B** Door Opening
- C** Door Latch
- D** Digital Thermometer
- E** Capsule Pak Refrigeration System



8

9

10

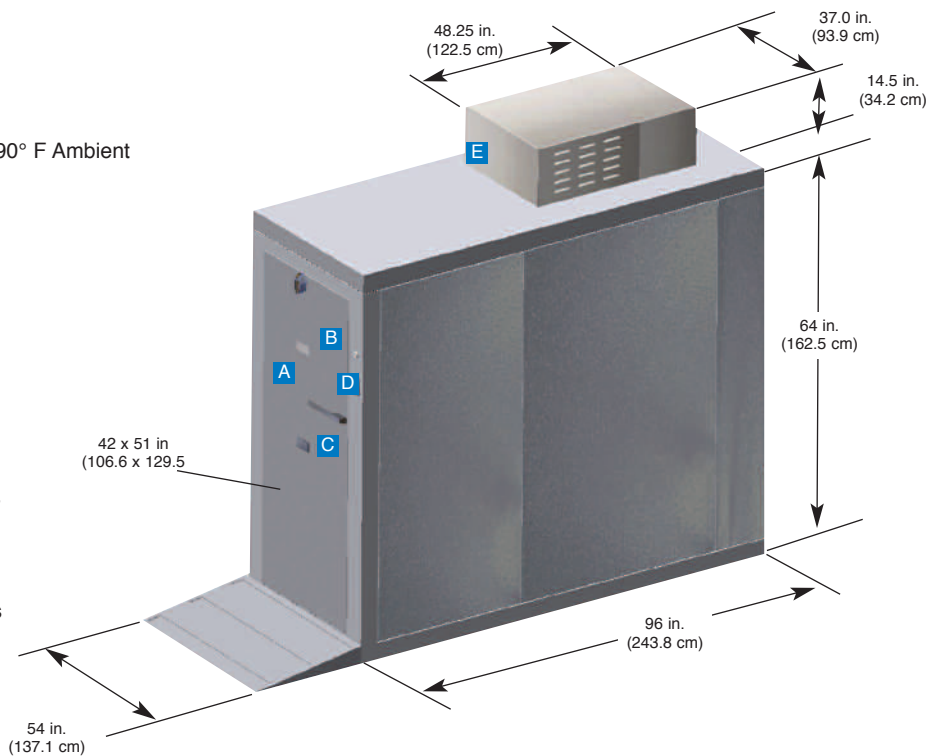
11

Roll-In Refrigeration

KB300 Roll-In, 2 Body

- Operating Temperature: 39°F (4°C)
- 1/2 Horsepower
- R404 Refrigerant
- Electrical 120 Volt/60Hz/1Ph
- System Capacity: 3500 BTU/HR @ 90° F Ambient

- A** Door Tag
- B** Door Opening
- C** Door Latch
- D** Digital Thermometer
- E** Capsule Pak Refrigeration System



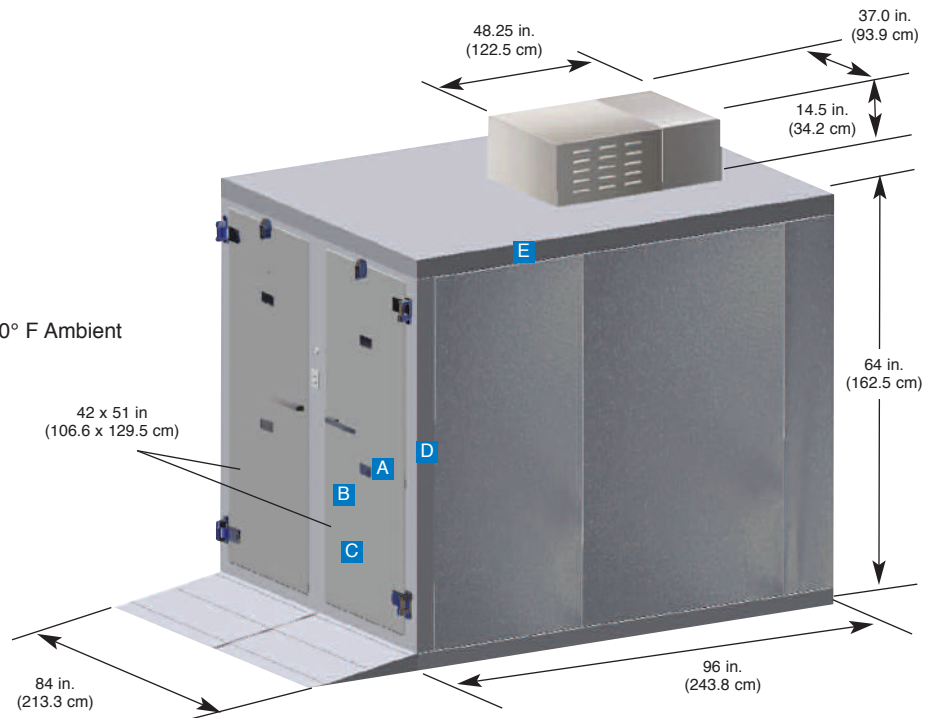
Roll-In Morgue Refrigerators

Roll-in morgue refrigerators are designed to be used with a one tier or two tier body carrier. Individual doors 42" W x 51" H (106.6 cm x 129.5 cm) open to a compartment that easily accommodates an autopsy cart that is simply rolled in or out. Ramp included.

KB400 Roll-In, 4 Body

- Operating Temperature: 39°F (4°C)
- 3/4 Horsepower
- R404 Refrigerant
- Electrical (208-230) Volt/60Hz/1Ph
- System Capacity: 5400 BTU/HR @ 90° F Ambient

- A** Door Tag
- B** Door Opening
- C** Door Latch
- D** Digital Thermometer
- E** Capsule Pak Refrigeration System



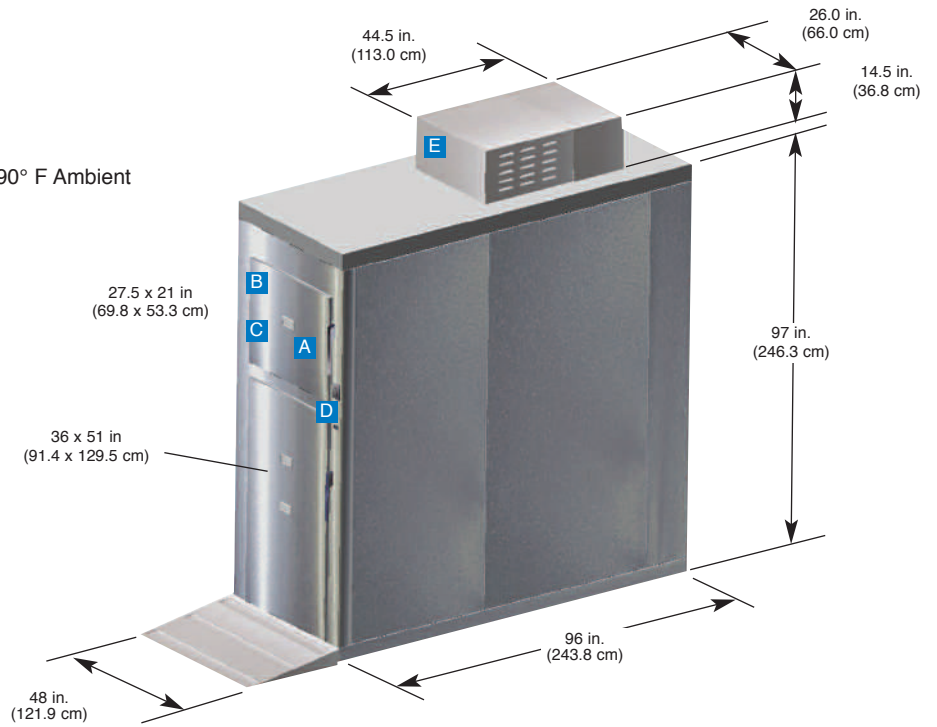
Telescoping Tray System

- 1
- 2
- 3
- 4
- 5
- 6
- 7
- 8
- 9
- 10
- 11

KD100 End Roll-In, 3 Body

- Operating Temperature: 39°F (4°C)
- 1/2 Horsepower
- R404 Refrigerant
- Electrical 120 Volt/60Hz/1Ph
- System Capacity: 3500 BTU/HR @ 90° F Ambient

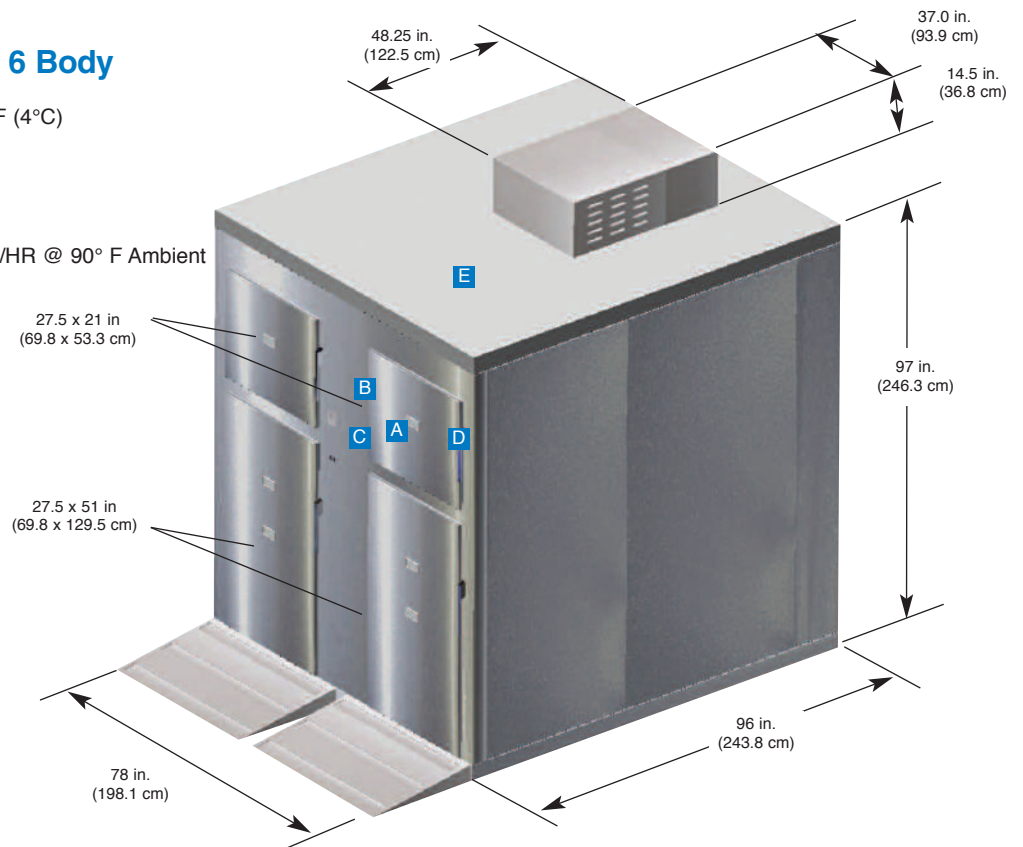
- A** Door Tag
- B** Door Opening
- C** Door Latch
- D** Digital Thermometer
- E** Capsule Pak Refrigeration System



KD200 End Roll-In, 6 Body

- Operating Temperature: 39°F (4°C)
- 3/4 Horsepower
- R404 Refrigerant
- Electrical 208/230-1-60 Volt
- System Capacity: 5400 BTU/HR @ 90° F Ambient

- A** Door Tag
- B** Door Opening
- C** Door Latch
- D** Digital Thermometer
- E** Capsule Pak Refrigeration System



Telescoping Tray System Specifications

PRODUCT	KA100	KA200	KA300	KA400	KA500
Type	End Opening	End Opening	End Opening	End Opening	End Opening
Door Style	1 Wide x 1 High	1 Wide x 2 High	1 Wide x 3 High	2 Wide x 2 High	2 Wide x 3 High
Body Capacity	1	2	3	4	6
Dimensions (L, W, H) - in	42 x 96 x 49	42 x 96 x 79	42 x 96 x 103	72 x 96 x 79	72 x 96 x 103
Electrical	115v 1ph 60hz	115v 1ph 60hz	115v 1ph 60hz	208/230v 1ph 60hz	208/230v 1ph 60hz
Refrigerant	R404	R404	R404	R404	R404
Refrigeration System H.P.	1/2 H.P.	1/2 H.P.	1/2 H.P.	3/4 H.P.	3/4 H.P.
Compressor Capacity BTU/HR @ 90° F ambient	3500 BTU/HR	3500 BTU/HR	3500 BTU/HR	5400 BTU/HR	5400 BTU/HR
Door Opening Size (W,H) - in	(1 ea.) 27 x 22	(2 ea.) 27 x 22	(3 ea.) 27 x 22	(4 ea.) 27 x 22	(6 ea.) 27 x 22
*Shipping Weight	1052 lbs.	1232 lbs.	1377 lbs.	1578 lbs.	1754 lbs.

PRODUCT	KA510	KA600	KA700	KB100	KB200
Type	End Opening	End Opening	End Opening	Roll In	Roll In
Door Style	3 Wide x 2 High	3 Wide x 3 High	4 Wide x 2 High	1 Wide	2 Wide
Body Capacity	6	9	8	2	4
Dimensions (L, W, H) - in	108 x 96 x 79	108 x 96 x 103	144 x 96 x 79	42 x 96 x 64	78 x 96 x 64
Electrical	208/230v 1ph 60hz	208/230v 1ph 60hz	208/230v 1ph 60hz	115v 1ph 60hz	208/230v 1ph 60hz
Refrigerant	R404	R404	R404	R404	R404
Refrigeration System H.P.	3/4 H.P.	3/4 H.P.	3/4 H.P.	1/2 H.P.	3/4 H.P.
Compressor Capacity BTU/HR @ 90° F ambient	5400 BTU/HR	5400 BTU/HR	5400 BTU/HR	3500 BTU/HR	5400 BTU/HR
Door Opening Size (W, H) - in	(6 ea.) 27 x 22	(9 ea.) 27 x 22	(8 ea.) 27 x 22	(1) 27-1/2 x 51	(2) 27-1/2 x 51
*Shipping Weight	1948 lbs.	2161 lbs.	2363 lbs.	1187 lbs.	1511 lbs.

PRODUCT	KB300	KB400	KC100	KC200	KC300
Type	KB300	KB400	Side Opening	Side Opening	Side Opening
Door Style	Roll-In	Roll-In	1 Wide x 1 High	1 Wide x 2 High	1 Wide x 3 High
Body Capacity	2	4	1	2	3
Dimensions (L, W, H) - in	54 x 96 x 64	108 x 96 x 64	42 x 96 x 49	42 x 96 x 79	42 x 96 x 103
Electrical	115v 1ph 60hz	208/230v 1ph 60hz	115v 1ph 60hz	115v 1ph 60hz	115v 1ph 60hz
Refrigerant	R404	R404	R404	R404	R404
Refrigeration System H.P.	1/2 H.P.	3/4 H.P.	1/2 H.P.	1/2 H.P.	1/2 H.P.
Compressor Capacity BTU/HR @ 90° F ambient	3500 BTU/HR	5400 BTU/HR	3500 BTU/HR	3500 BTU/HR	3500 BTU/HR
Door Opening Size (W, H) - in	(1 ea.) 42 x 51	(2 ea.) 42 x 51	(1 ea.) 83 x 21	(2 ea.) 83 x 21	(3 ea.) 83 x 21
*Shipping Weight	1302 lbs.	1985 lbs.	1018 lbs.	1314 lbs.	1500 lbs.

PRODUCT	KD100	KD200
Type	End Opening Roll In	End Opening Roll In
Door Style	1 Wide x 2 High	2 Wide x 2 High
Body Capacity	3	6
Dimensions (L, W, H) - in	48 x 96 x 97	78 x 96 x 97
Electrical	115v 1ph 60hz	208/230v 1ph 60hz
Refrigerant	R404	R404
Refrigeration System H.P.	1/2 H.P.	3/4 H.P.
Compressor Capacity BTU/HR @ 90° F ambient	3500 BTU/HR	5400 BTU/HR
Door Opening Size (W, H) - in	(1 ea.) 27 x 22	(2 ea.) 27-1/2 x 21
Door Opening Size (W, H) - in	(1 ea.) 36 x 51	(2 ea.) 27-1/2 x 51
*Shipping Weight	1384 lbs.	1841 lbs.

* NOTE: Weights do not include telescoping mechanisms or body trays

- 1
- 2
- 3
- 4
- 5
- 6
- 7
- 8
- 9
- 10
- 11

Conveyor Tray System

End Opening, Side Opening and Roll-In Combinations

1

2

3

4

5

6

7

8

9

10

11



End Opening Conveyor Tray System



Body Tray Loading From JD950 Lift



Body Tray Loading From JD400/JD710 Roller Pallet Lift Combo



Conveyor Mechanism Shown Without Body Tray (End Opening)

End Opening Conveyor Refrigerators

End opening conveyor style refrigerators are designed with individual door openings measuring 27" W x 22" H (68.6 cm x 55.8 cm). The conveyor tray system is permanently located within the cooler and fully supports the body tray. When the door is open, accessibility is limited to use of a lift with the same conveyor system. The tray can then be rolled out of the cooler and onto the conveyor lift system. The conveyor mechanism system is of a split wheel design which will accommodate body trays with drain holes.

Side Opening Conveyor Refrigerators

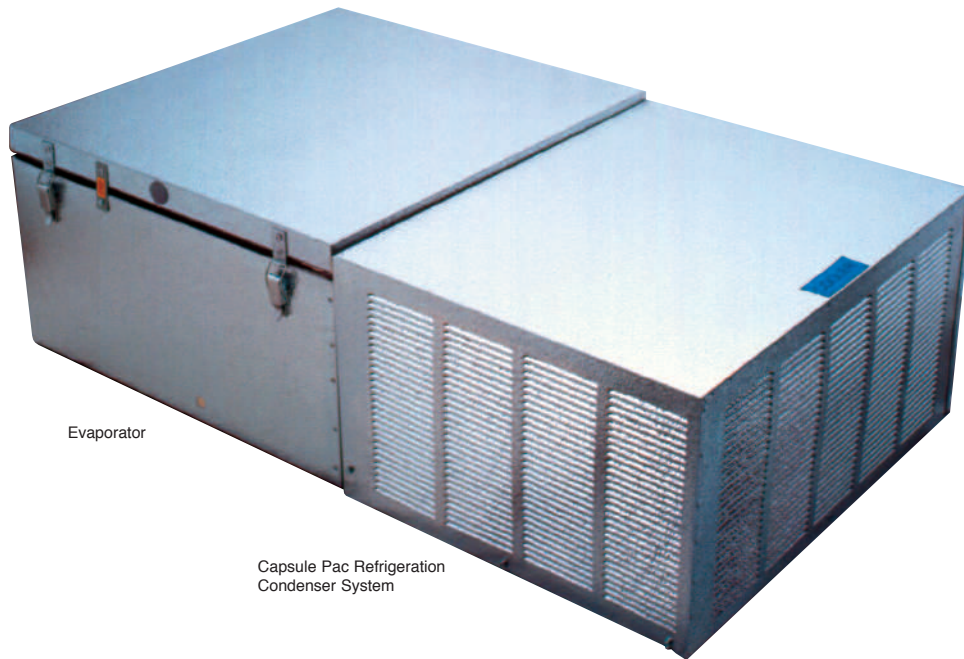
Side opening conveyor style refrigerators are designed with individual doors opening 83" W x 21" H (210.8 cm x 53.3 cm). The conveyor tray system is permanently located within the cooler and attached to each door. When the door is open and the tray is pulled out, it rolls from the interior of the cooler and onto the door. Once the tray is on the door, accessibility is limited to use with a lift with the same conveyor system. The tray can then be rolled across the door and onto the conveyor lift system. The conveyor system is a split wheel design that accommodates body trays with drain holes.

Roll In/End Opening Combination

Roll in/end opening combination morgue refrigerators are designed to be used in conjunction with the conveyor tray system and a two tier body carrier. One door is 27" W x 22" H located directly over a roll in door 27.5" wide x 51" high. This cooler combines both the roll in and end open conveyor tray system. Remove the cadaver by extending the conveyor mechanism or rolling the one tier or two tier body carrier out of the cooler.

Conveyor Tray System

End Opening, Side Opening and Roll-In Combinations



Evaporator

Capsule Pac Refrigeration
Condenser System



Safety Interior Latch Release



Spring Loaded Hinges
Provides Assurance Of Door
Closing

Standard Features

Conveyor Mechanism: Split conveyor roller system with stainless steel frame, nylon guide struts and rubber bumpers.

Exterior Metal Finish: (Front) 20 gauge with #4 satin finish stainless steel.

Exterior Metal Finish: (Balance) 26 gauge corrosion resistant stucco embossed coated steel.

Interior Metal Finish: (Floor) Galvanized steel, 14 gauge smooth finish.

Interior Metal Finish: (Balance) 26 gauge corrosion resistant stucco embossed coated steel.

Insulation: Foamed in place polyurethane insulation. Full 4" thick, UL Class 1 rigid polyurethane with 20 cubic foot density. "K" ≤ .135 BTU/HR, "U" = .033. CFC free and zero ozone depletion.

Doors: Fabricated with 22 gauge stainless steel inside and outside. Door frame and door are each fabricated of an extruded aluminum frame with a vinyl thermo breaker.

Hardware: (End Opening) Each door is provided with cam lift hinges, pull handles with keylock, magnetic gasket and perimeter frame wire heater.

Hardware: (Side Opening) Each door is provided with pull handles with keylock, (two each) motion dampeners, (two each) safety cables, magnetic gasket and perimeter frame wire heater.

Light: Vapor proof incandescent light and door controlled light switch.

Body Tray: Mopec JC100 23" W x 77" L stainless steel.

Capsule Pak Refrigeration System (Mopec Exclusive): The air cooled, welded hermetic refrigeration system is a self contained unit that simply sets above an opening in the top of

the refrigerator compartment. All components are conveniently located outside the refrigerator. The system can be serviced in-place or easily removed for maintenance—your technician need not enter the cooler compartment. No longer does the technician need to expose themselves to potential bacteria within the refrigerated structure.

Operating Temperature: 39°F (4°C).

Optional Features

High/Low, Audio/Visual Temperature Alarm, 10" Diameter, Single Pen

Product No. KO001

Temperature Recorder, 7 Day Chart

Product No. KO002

Low Temperature Refrigeration (freezer)

System Operating Temperature -4°F (-20°C)

Optional Material Finishes (Interior and Exterior)

20 Gauge stainless steel with a #4 satin finish

26 Gauge embossed galvanized with aluminum coating

20 Gauge embossed aluminum with a white epoxy finish.
Additional colors available.

20 Gauge smooth pre-primed steel with a white epoxy finish.
Additional colors available.

1

2

3

4

5

6

7

8

9

10

11

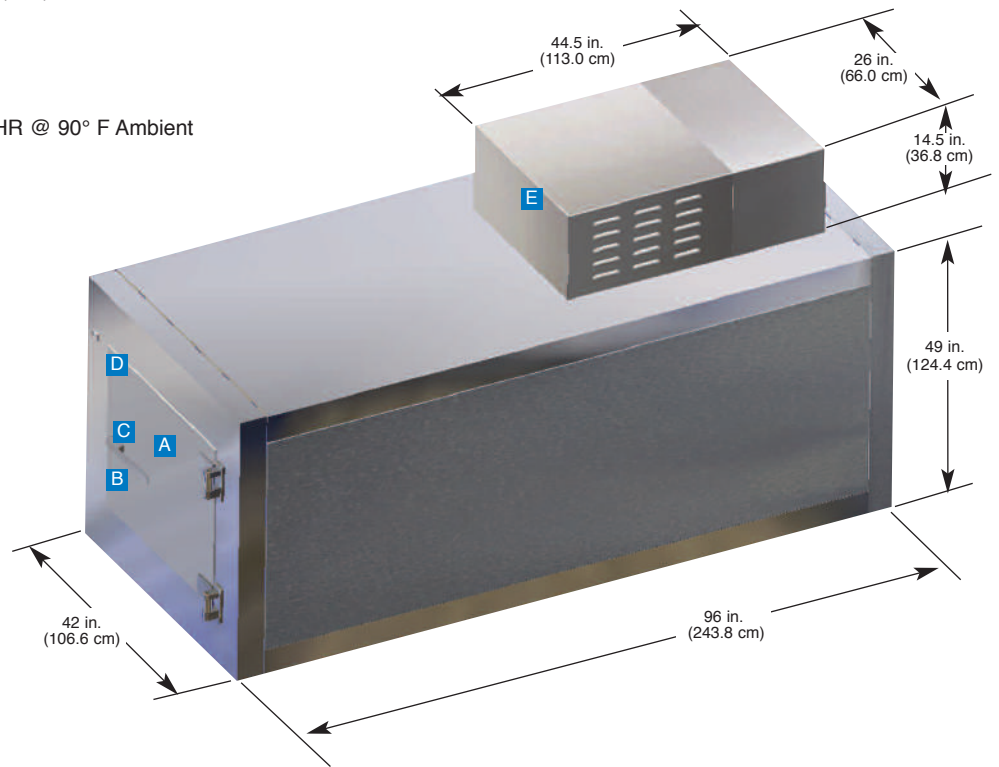
Conveyor Tray System

1

KH100 End Opening, 1 Body

- Operating Temperature: 39°F (4°C)
- 1/2 Horsepower
- R404 Refrigerant
- Electrical 120 Volt/60Hz/1Ph
- System Capacity: 3500 BTU/HR @ 90° F Ambient

- A** Door Tag
- B** Door Opening (27" W x 22" H)
- C** Door Latch
- D** Digital Thermometer
- E** Capsule Pak Refrigeration System



2

3

4

5

6

7

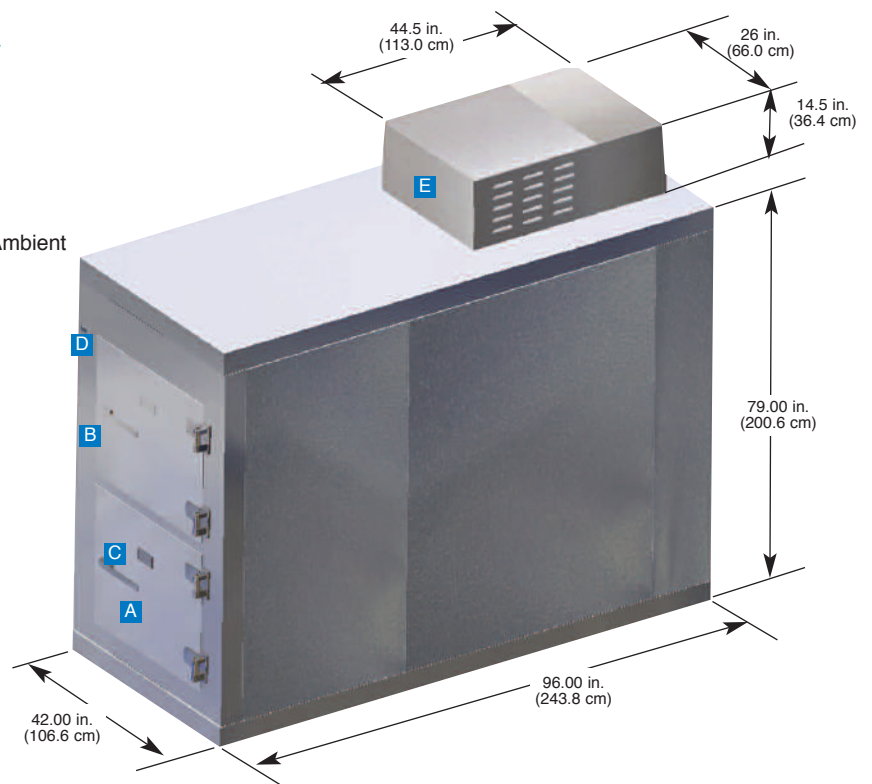
8

9

KH200 End Opening, 2 Body

- Operating Temperature: 39°F (4°C)
- 1/2 Horsepower
- R404 Refrigerant
- Electrical 120 Volt/60Hz/1Ph
- System Capacity: 3500 BTU/HR @ 90° F Ambient

- A** Door Tag
- B** Door Opening (27" W x 22" H)
- C** Door Latch
- D** Digital Thermometer
- E** Capsule Pak Refrigeration System



10

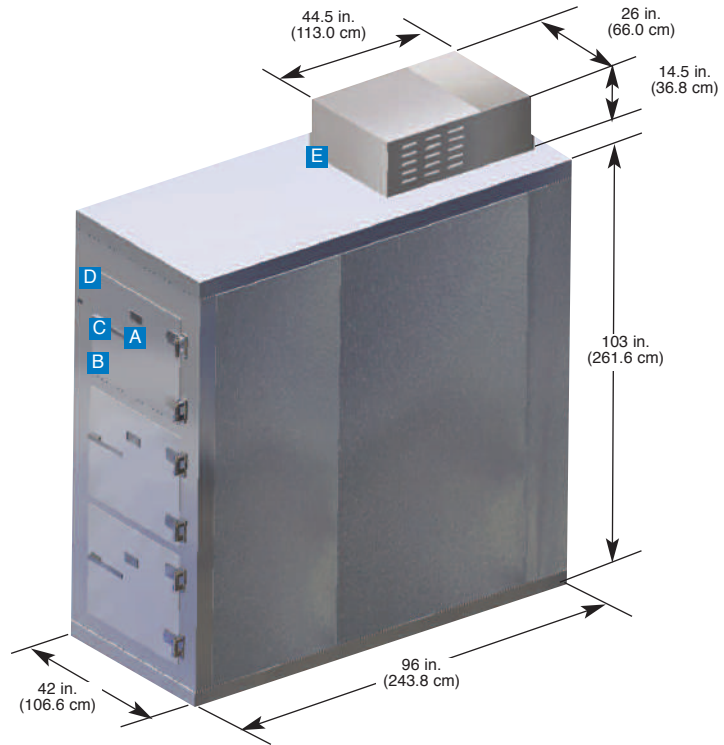
11

Conveyor Tray System

KH300 End Opening, 3 Body

- Operating Temperature: 39°F (4°C)
- 1/2 Horsepower
- R404 Refrigerant
- Electrical 120 Volt/60Hz/1Ph
- System Capacity: 3500 BTU/HR @ 90° F Ambient

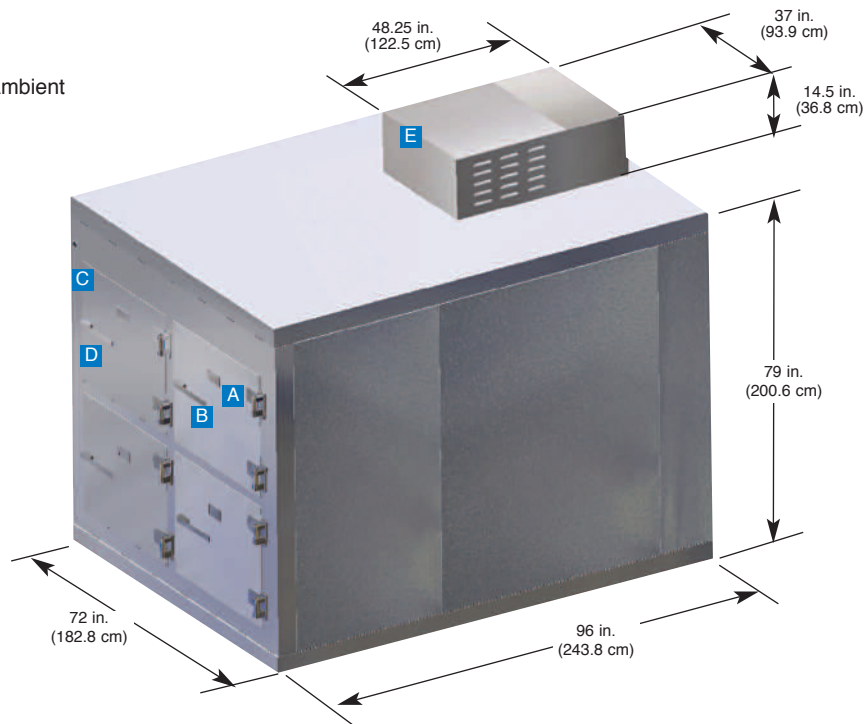
- A** Door Tag
- B** Door Opening (27" W x 22" H)
- C** Door Latch
- D** Digital Thermometer
- E** Capsule Pak Refrigeration System



KH400 End Opening, 4 Body

- Operating Temperature: 39°F (4°C)
- 3/4 Horsepower
- R404 Refrigerant
- Electrical (208-230) Volt/60Hz/1Ph
- System Capacity: 5400 BTU/HR @ 90° F Ambient

- A** Door Tag
- B** Door Handle
- C** Digital Thermometer
- D** Door Opening (27" W x 22" H)
- E** Capsule Pak Refrigeration System



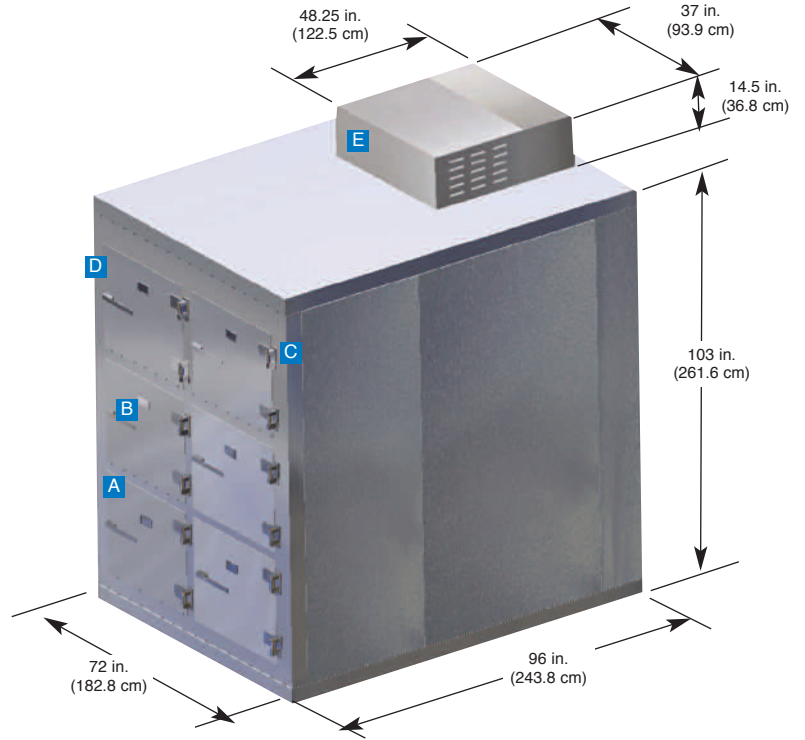
Conveyor Tray System

1

KH500 End Opening, 6 Body (3 x 2)

- Operating Temperature: 39°F (4°C)
- 3/4 Horsepower
- R404 Refrigerant
- Electrical (208-230) Volt/60Hz/1Ph
- System Capacity: 5400 BTU/HR @ 90° F Ambient

- A** Door Tag
- B** Door Handle
- C** Digital Thermometer
- D** Door Opening (27" W x 22" H)
- E** Capsule Pak Refrigeration System



*Transfer of Cadavers is Easier
with the Slide
Body Transfer Board*



See page 89

2

3

4

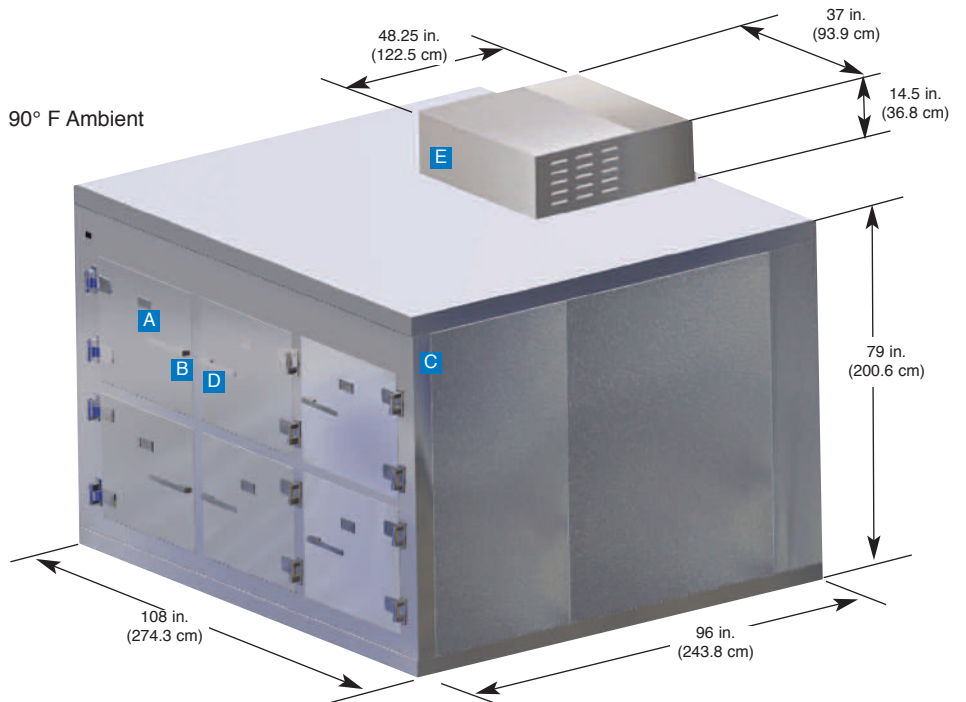
5

6

KH510 End Opening, 6 Body (2 x 3)

- Operating Temperature: 39°F (4°C)
- 3/4 Horsepower
- R404 Refrigerant
- Electrical (208-230) Volt/60Hz/1Ph
- System Capacity: 5400 BTU/HR @ 90° F Ambient

- A** Door Tag
- B** Door Opening (27" W x 22" H)
- C** Digital Thermometer
- D** Door Handle
- E** Capsule Pak Refrigeration System



7

8

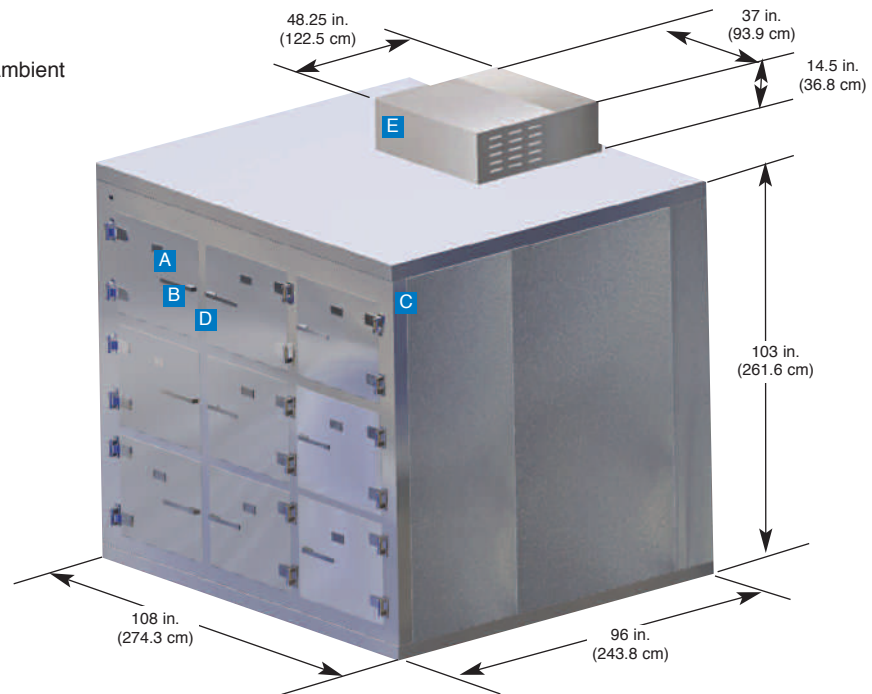
9

Conveyor Tray System

KH600 End Opening, 9 Body

- Operating Temperature: 39°F (4°C)
- 3/4 Horsepower
- R404 Refrigerant
- Electrical (208-230) Volt/60Hz/1Ph
- System Capacity: 5400 BTU/HR @ 90° F Ambient

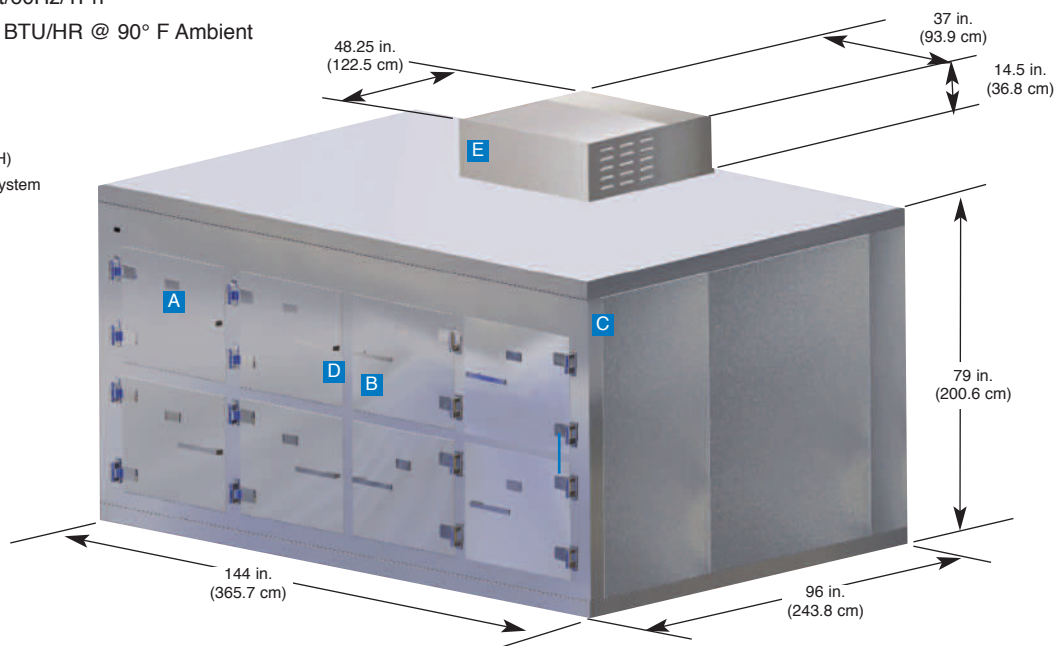
- A** Door Tag
- B** Door Handle
- C** Digital Thermometer
- D** Door Opening (27" W x 22" H)
- E** Capsule Pak Refrigeration System



KH700 End Opening, 8 Body (2 x 4)

- Operating Temperature: 39°F (4°C)
- 3/4 Horsepower
- R404 Refrigerant
- Electrical (208-230) Volt/60Hz/1Ph
- System Capacity: 5400 BTU/HR @ 90° F Ambient

- A** Door Tag
- B** Door Handle
- C** Digital Thermometer
- D** Door Opening (27" W x 22" H)
- E** Capsule Pak Refrigeration System



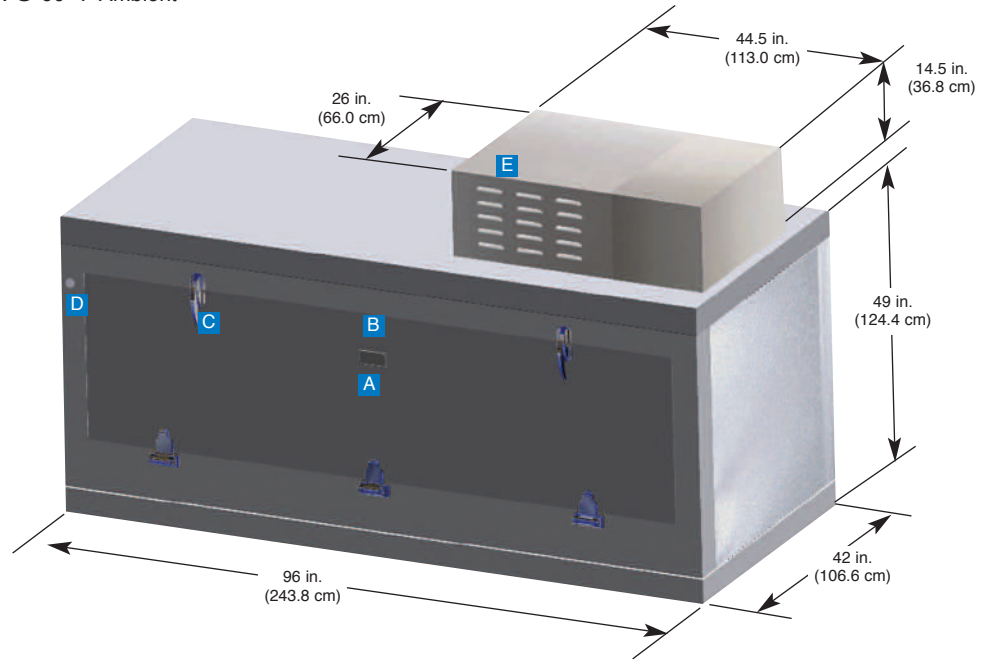
Conveyor Tray System

1

KI100 Side Opening, 1 Body

- Operating Temperature: 39°F (4°C)
- System Capacity: 3500 BTU/HR @ 90° F Ambient
- 1/2 Horsepower
- R404 Refrigerant
- Electrical 120 Volt/60Hz/1Ph

- A** Door Tag
- B** Door Opening (83" x 21")
- C** Door Latch
- D** Digital Thermometer
- E** Capsule Pak Refrigeration System



2

3

4

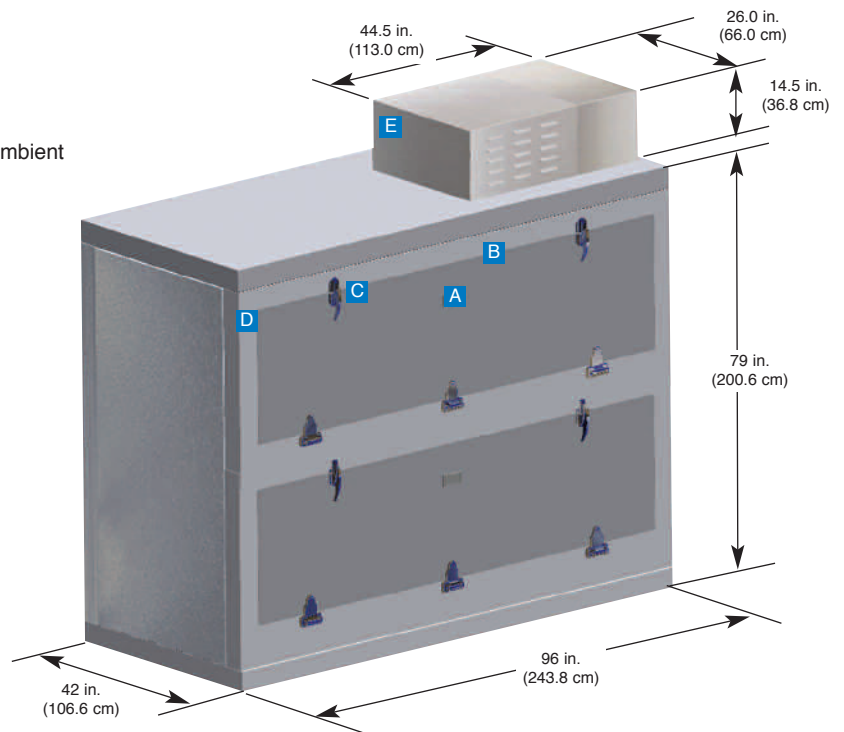
5

6

KI200 Side Opening, 2 Body

- Operating Temperature: 39°F (4°C)
- 1/2 Horsepower
- R404 Refrigerant
- Electrical 120 Volt/60Hz/1Ph
- System Capacity: 3500 BTU/HR @ 90° F Ambient

- A** Door Tag
- B** Door Opening (83" x 21")
- C** Door Latch
- D** Digital Thermometer
- E** Capsule Pak Refrigeration System



7

8

9

10

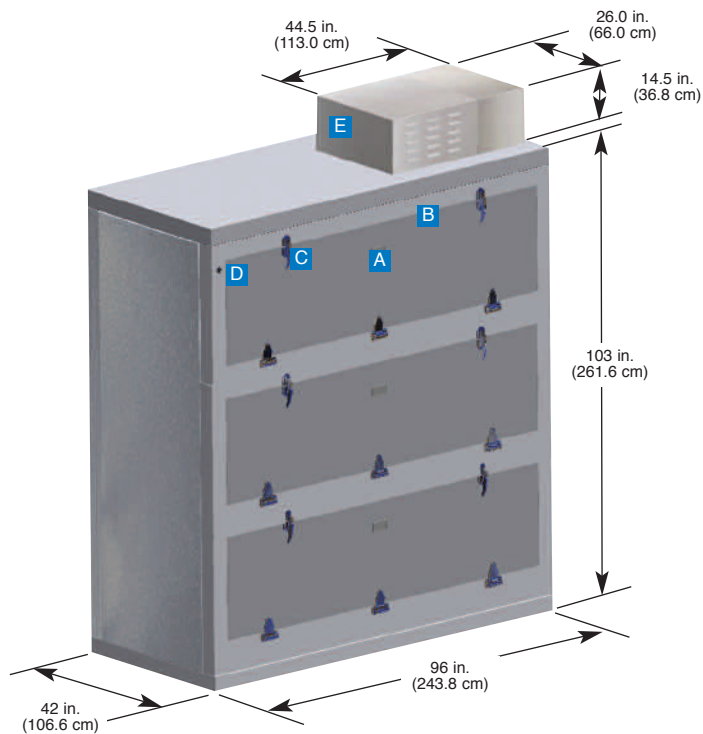
11

Conveyor Tray System

KI300 Side Opening, 3 Body

- Operating Temperature: 39°F (4°C)
- 1/2 Horsepower
- R404 Refrigerant
- Electrical 120 Volt/60Hz/1Ph
- System Capacity: 3500 BTU/HR @ 90° F Ambient

- A** Door Tag
- B** Door Opening (83" x 21")
- C** Door Latch
- D** Digital Thermometer
- E** Capsule Pak Refrigeration System



Did You Know That Mopec Offers a Wide Assortment of Body Lifts?



Conveyor Tray System Side opening, shown opened



- 1
- 2
- 3
- 4
- 5
- 6
- 7
- 8
- 9
- 10
- 11

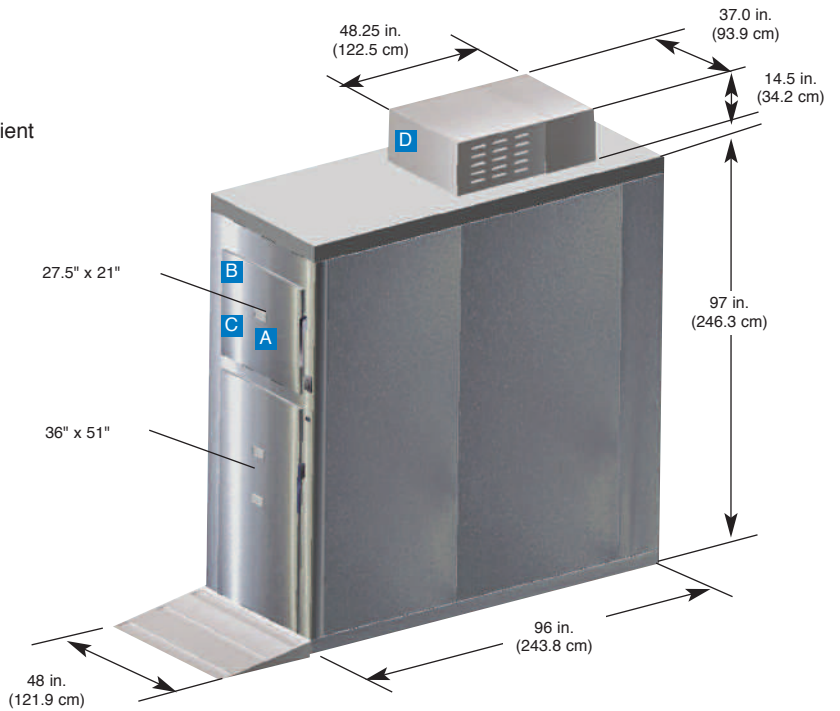
Conveyor Tray System

1

KJ100 End Roll-in, 3 Body

- Operating Temperature: 39°F (4°C)
- 1/2 Horsepower
- R404 Refrigerant
- Electrical 120 Volt/60Hz/1Ph
- System Capacity: 3500 BTU/HR @ 90° F Ambient

- A** Door Tag
- B** Door Opening
- C** Door Latch
- D** Capsule Pak Refrigeration System



2

3

Roll-In Morgue Refrigerators

Roll-in morgue refrigerators are designed to be used in conjunction with a 1 tier or 2 tier body carrier. Bottom door 36" W x 51" H (69.9 cm x 129.5 cm) opens to a compartment that easily accommodates a 2 tier body carrier that is simply rolled in or out.

4

5

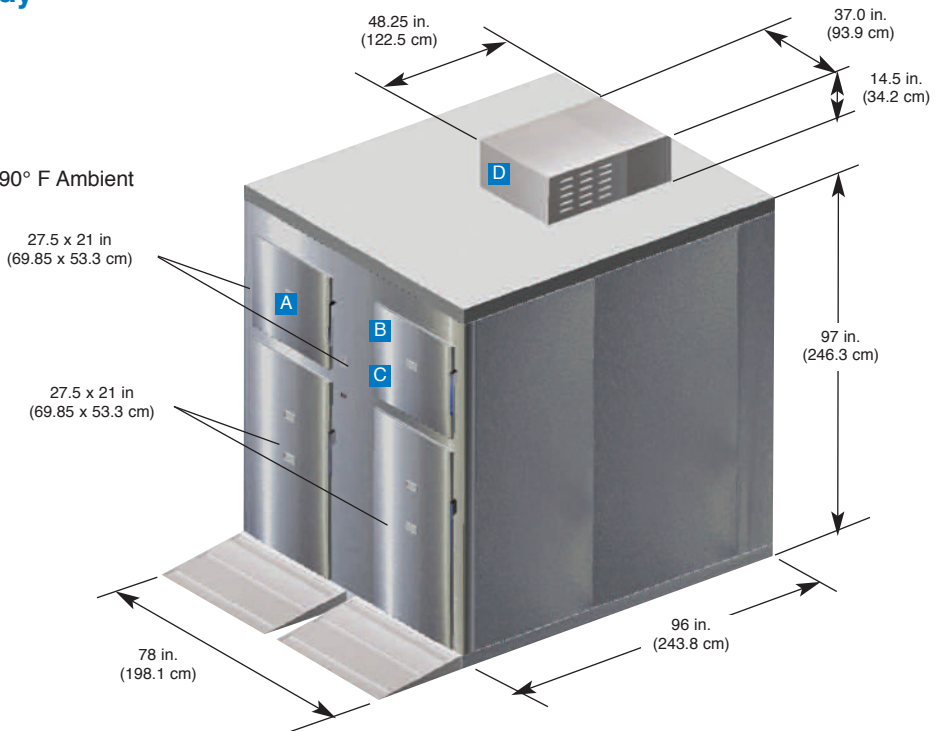
6

7

KJ200 End Roll-in, 6 Body

- Operating Temperature: 39°F (4°C)
- 3/4 Horsepower
- R404 Refrigerant
- Electrical 208/230-1-60 Volt
- System Capacity: 5400 BTU/HR @ 90° F Ambient

- A** Door Tag
- B** Door Opening
- C** Door Latch
- D** Capsule Pak Refrigeration System



8

9

10

11

Conveyor Tray System Specifications

PRODUCT	KH100	KH200	KH300	KH400	KH500
Type	End Opening	End Opening	End Opening	End Opening	End Opening
Door Style	1 Wide x 1 High	1 Wide x 2 High	1 Wide x 3 High	2 Wide x 2 High	2 Wide x 3 High
Body Capacity	1	2	3	4	6
Dimensions (L, W, H) - in	42 x 96 x 49	42 x 96 x 79	42 x 96 x 103	72 x 96 x 79	72 x 96 x 103
Electrical	115v 1ph 60hz	115v 1ph 60hz	115v 1ph 60hz	208/230v 1ph 60hz	208/230v 1ph 60hz
Refrigeration System H.P.	1/2 H.P.	1/2 H.P.	1/2 H.P.	3/4 H.P.	3/4 H.P.
Compressor Capacity BTU/HR @ 90° F ambient	3500 BTU/HR	3500 BTU/HR	3500 BTU/HR	5400 BTU/HR	5400 BTU/HR
Door Opening Size (W,H) - in	(1 ea.) 27 x 22	(2 ea.) 27 x 22	(3 ea.) 27 x 22	(4 ea.) 27 x 22	(6 ea.) 27 x 22
*Shipping Weight	1052 lbs.	1232 lbs.	1377 lbs.	1578 lbs.	1754 lbs.

PRODUCT	KH510	KH600	KH700	KI100	KI200
Type	End Opening	End Opening	End Opening	Side Opening	Side Opening
Door Style	3 Wide x 2 High	3 Wide x 3 High	4 Wide x 2 High	1 Wide	2 Wide x 2 High
Body Capacity	6	9	8	1	2
Dimensions (L, W, H) - in	108 x 96 x 79	108 x 96 x 103	144 x 96 x 79	96 x 42 x 49	96 x 42 x 79
Electrical	208/230v 1ph 60hz	208/230v 1ph 60hz	208/230v 1ph 60hz	115v 1ph 60hz	115v 1ph 60hz
Refrigeration System H.P.	3/4 H.P.	3/4 H.P.	3/4 H.P.	1/2 H.P.	1/2 H.P.
Compressor Capacity BTU/HR @ 90° F ambient	5400 BTU/HR	5400 BTU/HR	5400 BTU/HR	3500 BTU/HR	3500 BTU/HR
Door Opening Size (W, H) - in	(6 ea.) 27 x 22	(9 ea.) 27 x 22	(8 ea.) 27 x 22	(1 ea.) 83 x 21	(2 ea.) 83 x 21
*Shipping Weight	1948 lbs.	2161 lbs.	2363 lbs.	1018 lbs.	1314 lbs.

PRODUCT	KI300	KJ100	KJ200
Type	Side Opening	End Opening Roll In	End Opening Roll In
Door Style	1 Wide x 3 High	1 Wide x 2 High	2 Wide x 2 High
Body Capacity	3	3	6
Dimensions (L, W, H) - in	96 x 42 x 103	48 x 96 x 97	78 x 96 x 97
Electrical	115v 1ph 60hz	115v 1ph 60hz	208/230v 1ph 60hz
Refrigeration System H.P.	1/2 H.P.	1/2 H.P.	3/4 H.P.
Compressor Capacity BTU/HR @ 90° F ambient	3500 BTU/HR	3500 BTU/HR	5400 BTU/HR
Door Opening Size (W,H) - in		(1 ea.) 27.5 x 21	(1 ea.) 27.5 x 21
Door Opening Size (W,H) - in	(3 ea.) 83 x 21	(1 ea.) 36 X 51	(2 ea.) 27.5 X 51
*Shipping Weight	1500 lbs.	1384 lbs.	1841 lbs.

* NOTE: Weights do not include conveyor mechanisms or body trays.

- 1
- 2
- 3
- 4
- 5
- 6
- 7
- 8
- 9
- 10
- 11

Walk-In Refrigerator System

1

2

3

4

5

6

7

8

9

10

11



Mopec walk-in refrigerator insulated panels and refrigeration systems are manufactured as a system. Mopec walk in morgue refrigerators are designed to accept all types of Mopec morgue equipment. The panels are designed with cam lock latches for easy assembly and future expansion. Refrigeration systems are preassembled with all controls factory tested prior to delivery.

All refrigerator panels are specifically designed to meet UL#723 Panel Flame Spread, FM#E84 Burn Test, and ISO9001 certifications. Standard and custom sizes are available. Standard warranty includes 18 months parts and labor, 5 years compressor and 15 year walk-in panel.

Refrigerator Finishes

Exterior Metal Finish: (Walls) 26 gauge corrosion resistant stucco embossed coated steel.

Exterior Metal Finish: (Floor and Ceiling) 26 gauge corrosion resistant stucco embossed coated steel.

Interior Metal Finish: (Walls and Ceiling) 26 gauge corrosion resistant stucco embossed coated steel.

Interior Metal Finish: (Floor) 14 gauge smooth galvanized steel.

Insulation: Insulation is a full 4 inches thick, UL Class 1 rigid foamed in place polyurethane with a 2.0 cubic foot density ($\pm 10\%$). Foam polyurethane is injected into the panels by a high output, high impingement, froth mixer. Poured in place foam injection is not acceptable. The "K" factor will not be

than 0.135 BTU per hour per square foot, per inch thickness, per degree Fahrenheit of temperature difference. Heat transfer "U" factor will not exceed .033. The "R" value is a minimum of 30.00. Insulation has a 95% closed cell structure and a flame spread rating that according to ASTM E-84/UL 723 will be 25 or less. Polyurethane foam is expanded with HCFC-134-A. The use of R-12 as a blowing agent is specifically prohibited.

Hardware: Hardware is high pressure die cast zinc with a polished chrome finish. Hardware includes a hydraulic piston driven door closer, cam lift hinges, key/padlock handle with bumpers and inside safety release. All hardware is attached to extra large 1/2" thick, non-conducting synthetic tapping plates.

Door Construction: Entrance door will be a flush design with a minimum opening of 48" wide by 78" high. The door section provides a full 4 inches of foamed in place polyurethane insulation. Construction and finish are the same as adjoining wall panels. The door incorporates a heavy-duty, molded ABS breaker strip, which is permanently foamed in place. The bottom of the door is sealed with an adjustable double sweep gasket, uniquely designed to provide a complete seal between door, threshold and door jamb. Door jam is constructed of fully covered extruded and welded, structural anodized aluminum, with a rigid frame design for easy cleaning and maintenance. The threshold plate is constructed of extruded aluminum for bearing strength. Aluminum diamond kick plate provided on interior/exterior of door. Anti-condensation heaters surround the full perimeter of the door opening. The complete door section is UL listed and labeled. Other door styles and sizes are available.

Walk-In Refrigerator System



Modular Panel Construction: Wall, ceiling and floor panels are prefabricated modular construction consisting of 100% foamed in place polyurethane insulation a full 4 inches thick. The panels are bonded by an adhesive to the interior and exterior metal pan skins and then heat cured for long life and stability. Each wall panel skin is formed using a double 90° bend on each edge to add strength and rigidity. Panel joints are precisely formed male and female tongue and groove shapes fabricated to force the male edge to contact the female edge, providing an additional seal. Mechanical panel fasteners have wings which provide the necessary strength to support the cam action of the locking mechanism when the panels are drawn together. Panels are manufactured in widths of 6 inches to a maximum of 48 inches. All panels are UL and NSF listed.

Floor Construction: Floor panels are a full 4 inches thick with one piece foamed in place edge caps. The panels are designed to withstand uniformly distributed loads of 600 pounds per square foot. Additional support is provided by using 1/2"(3/4") APA rated plywood backing, permanently foamed within prefabricated floor panel. The junction between the wall and floor is formed with a 45° cone built into the floor panel allowing for an easily cleaned junction and meeting NSF requirements.

Cam Lock Panel Fasteners: The panels incorporate cam lock fasteners as joining devices for the adjacent tongue and groove panels. Each device consists of a cam action locking arm and a steel rod in the adjoining panel so that by rotating the locking arm, the hook engages over the rod and the cam action draws the panels together. The panel joints are sealed by a foamed in place, continuous one-piece gasket.

Panel Gaskets: Panel gaskets provided around the outer perimeter of the panel are continuous without cuts or braces at corner. The gaskets are foamed in place.

Pilot Light and Safety Release: A constant burning pilot light and inside safety release assures a non-panic exit even if the door is locked from the outside and the light is turned off.

Interior Panel Bumpers: A full perimeter stainless steel bumper rail is available to protect the wall surface.



1

2

3

4

5

6

7

8

9

10

11

Walk-In Refrigerator System

1

2

3

4

5

6

7

8

9

10

11

Refrigeration System: The refrigeration system is specifically designed, engineered and manufactured to achieve and maintain the scheduled room temperature requirements and performance. The system includes high/low pressure controls, receiver, sight glass, liquid line dryer, suction accumulator vibration eliminators, expansion valves and other equipment required to achieve the specified performance. Refrigeration systems are available in wall mount, ceiling mount or remote applications and can be located indoors or outdoors.

Condensing Unit: The condensing unit uses an air cooled, welded hermetic compressor, designed for industrial use. Condensing unit is factory assembled and UL listed. Outdoor units if requested have all weather hoods, crankcase heaters and head pressure controls.

Evaporator Coil: The evaporator coil has a copper tube aluminum fin design having 6 fins per inch. Evaporators are UL listed and are forced air type designed for ceiling installation. Fan motors, guards, multi-fin and tube-type coils are housed in a heavy gauge aluminum housing. Units have a drain pan with a suitable drain pipe connection. Evaporators for use at 0° Centigrade (32° Fahrenheit) use an electric defrost and are time initiated and temperature terminated.

Refrigeration System: The refrigeration system will be completely factory assembled and pre-charged, ready for field installation, using quick connect refrigerant line fittings and interconnecting wiring harness for single point electrical connection. All quick connect systems include an evaporator mounting kit, sight glass, expansion valve, liquid line filter drier and control. Outdoor units, if requested, have low ambient controls factory installed. Other systems are available. Contact a Mopec representative.

Available Options

- Outdoor controls for condensing unit
- Low temperature refrigeration systems operating temperature, -4°F (-20°C)
- Water cooled condensing units
- Back up refrigeration systems
- Temperature chart recorder
- Temperature alarm: High/Low/Audio/Visual
- Control Panels: P.C. based micro process controller
- Bumper rails

Optional Material Finishes (Interior and Exterior)

20 Gauge stainless steel with a #4 satin finish

20 Gauge embossed aluminum with a white epoxy finish. Additional colors available.

20 Gauge smooth pre-primed steel with a white epoxy finish. Additional colors available.

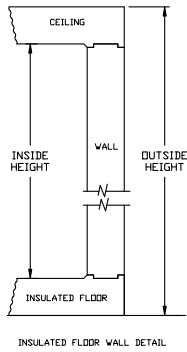


Deadbolt Locking Handle

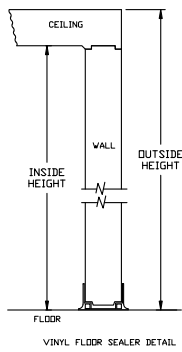


Walk-In Refrigerator System

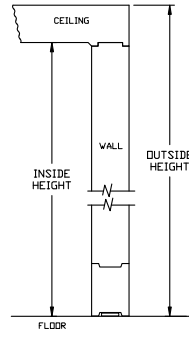
Walk-In Heights



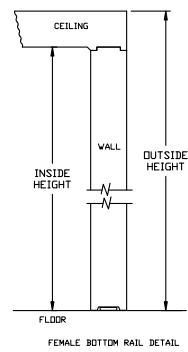
INSULATED FLOOR WALL DETAIL



VINYL FLOOR SEALER DETAIL



FLOOR



FEMALE BOTTOM RAIL DETAIL

Heights With Insulated Floor Panel

Outside (O.D.)	Inside (I.D.)
6' 7"	5' 11"
7' 1"	6' 11"
8' 1"	7' 11"
9' 1"	8' 11"
10' 7"	9' 11"
11' 7"	10' 11"

Heights With Vinyl Floor Sealer

Outside (O.D.)	Inside (I.D.)
6' 3-5/8"	5' 11-5/8"
6' 9-5/8"	6' 11-5/8"
7' 9-5/8"	7' 11-5/8"
8' 9-5/8"	8' 11-5/8"
10' 3-5/8"	9' 11-5/8"
11' 3-5/8"	10' 11-5/8"

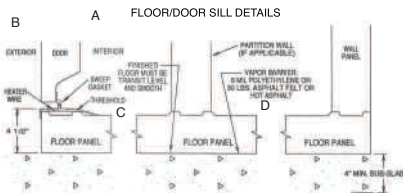
Heights With Foam Floor Sealer

Outside (O.D.)	Inside (I.D.)
6' 7"	6' 3"
7' 1"	7' 3"
8' 1"	8' 3"
9' 1"	9' 3"
10' 7"	10' 3"
11' 7"	11' 3"

Heights With Wall Sealer

Outside (O.D.)	Inside (I.D.)
6' 2-5/8"	5' 10-5/8"
7' 2-5/8"	6' 10-5/8"
8' 2-5/8"	7' 10-5/8"
9' 2-5/8"	8' 10-5/8"
10' 2-5/8"	9' 10-5/8"
11' 2-5/8"	10' 10-5/8"

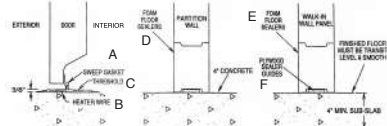
Walk-In Floor Styles



STD. WITH FLOOR DETAIL

Insulated Floor (Standard Floor)

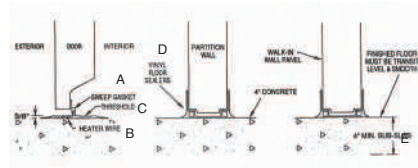
- A Sweep Gasket
- B Heater Wire
- C Threshold
- D Vapor Barrier



FOAM FLOOR SEALERS ON TOP OF UNINSULATED FLOOR

Foam Floor Sealer (No Insulated Floor)

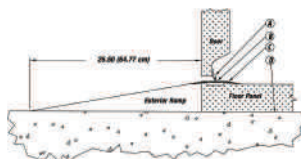
- A Sweep Gasket
- B Heater Wire
- C Threshold
- D Vinyl Floor Sealers
- E 4" Concrete



VINYL FLOOR SEALERS ON TOP OF UNINSULATED FLOOR

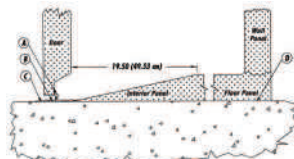
Vinyl Floor Sealer (No Insulated Floor)

- A Sweep Gasket
- B Heater Wire
- C Threshold
- D Foam Floor Sealer
- E Foam Floor Sealer
- F Plywood Sealer Guides



Exterior Ramp

- A Sweep Gasket
- B Heater Wire
- C Threshold
- D Vapor Barrier



Interior Ramp

- A Sweep Gasket
- B Heater Wire
- C Threshold
- D Vapor Barrier



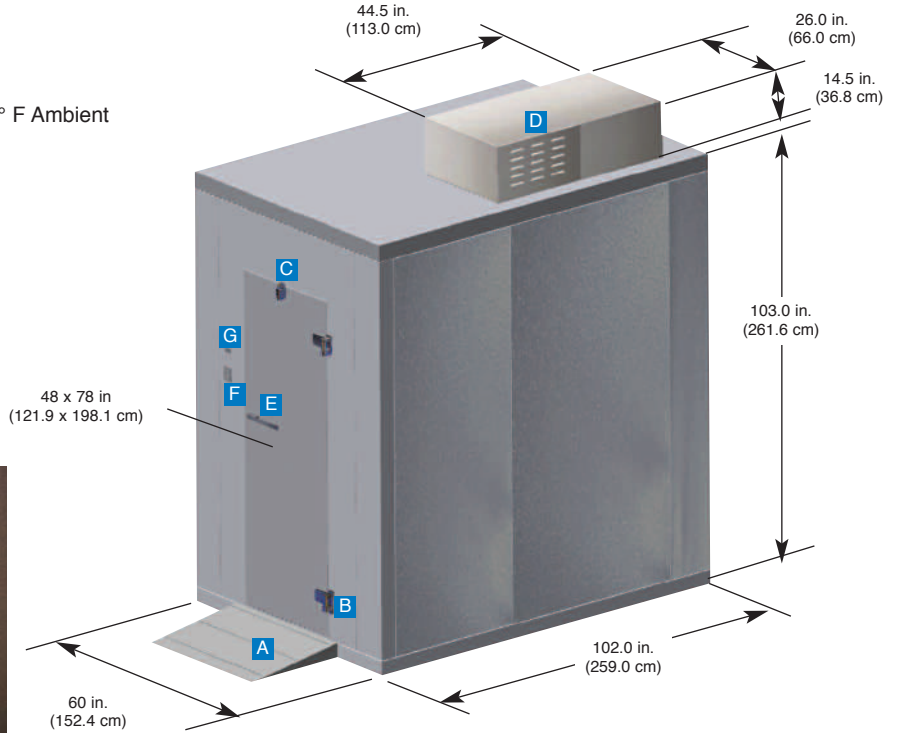
Walk-In Refrigerator System

1

KE100 Walk-In, 1 Body

- Operating Temperature: 39°F (4°C)
- 1/2 Horsepower
- R404 Refrigerant
- Electrical 120 Volt/60Hz/1Ph
- System Capacity: 3500 BTU/HR @ 90° F Ambient

- A** Exterior Ramp (48" x 25.5")
- B** Heavy-Duty Cam-Lift Hinges
- C** Door Closure
- D** Capsule Pak Refrigeration System
- E** Door Latch with Lock and Safety Release
- F** Pilot Lighted On/Off Light Switch
- G** Digital Thermometer



2

3

4

5

6

7

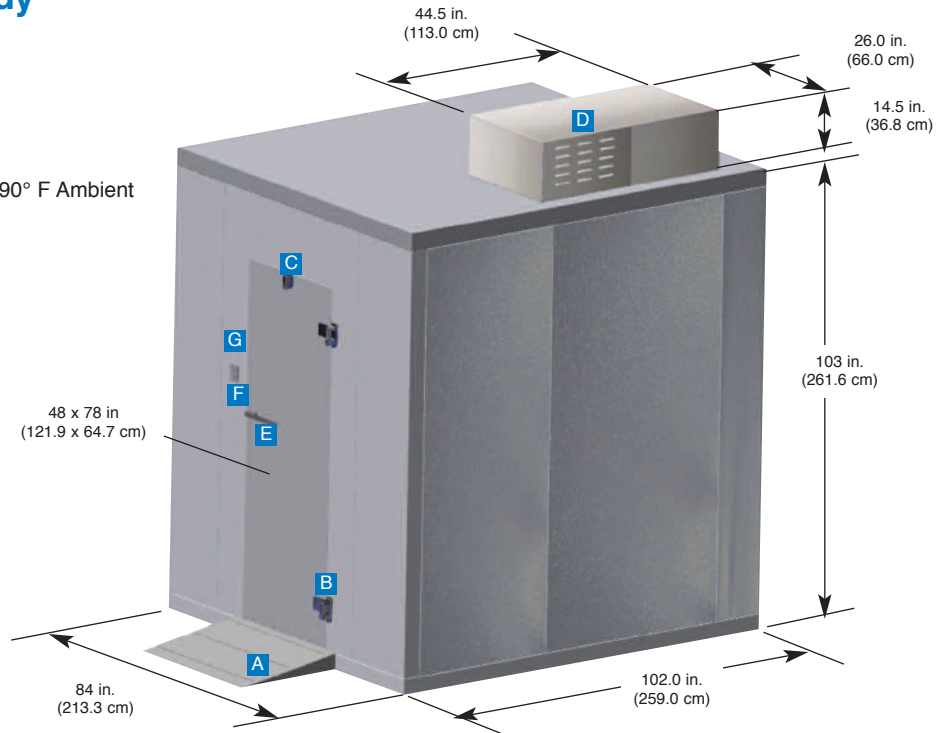
8

9

KE200 Walk-In, 2 Body

- Operating Temperature: 39°F (4°C)
- 1/2 Horsepower
- R404 Refrigerant
- Electrical 120 Volt/60Hz/1Ph
- System Capacity: 3500 BTU/HR @ 90° F Ambient

- A** Exterior Ramp (48" x 25.5")
- B** Heavy-Duty Cam-Lift Hinges
- C** Door Closure
- D** Capsule Pak Refrigeration System
- E** Door Latch with Lock and Safety Release
- F** Pilot Lighted On/Off Light Switch
- G** Digital Thermometer



10

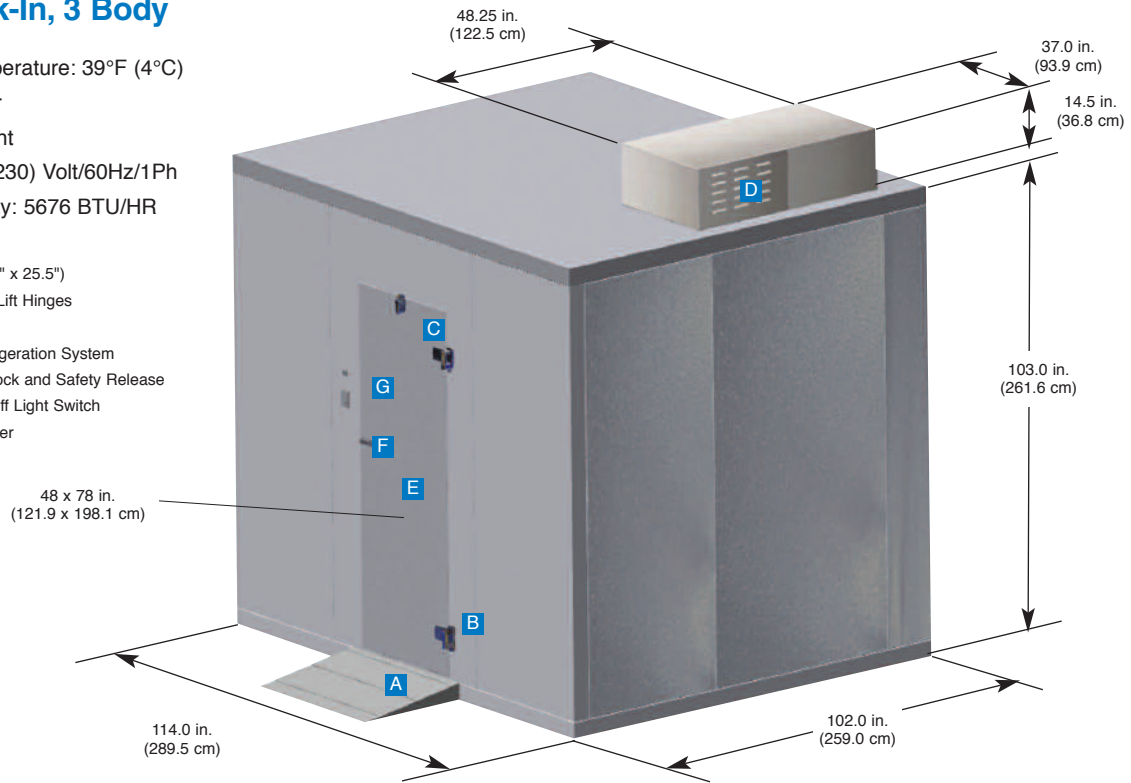
11

Walk In Refrigerator System

KE300 Walk-In, 3 Body

- Operating Temperature: 39°F (4°C)
- 3/4 Horsepower
- R404 Refrigerant
- Electrical (208-230) Volt/60Hz/1Ph
- System Capacity: 5676 BTU/HR

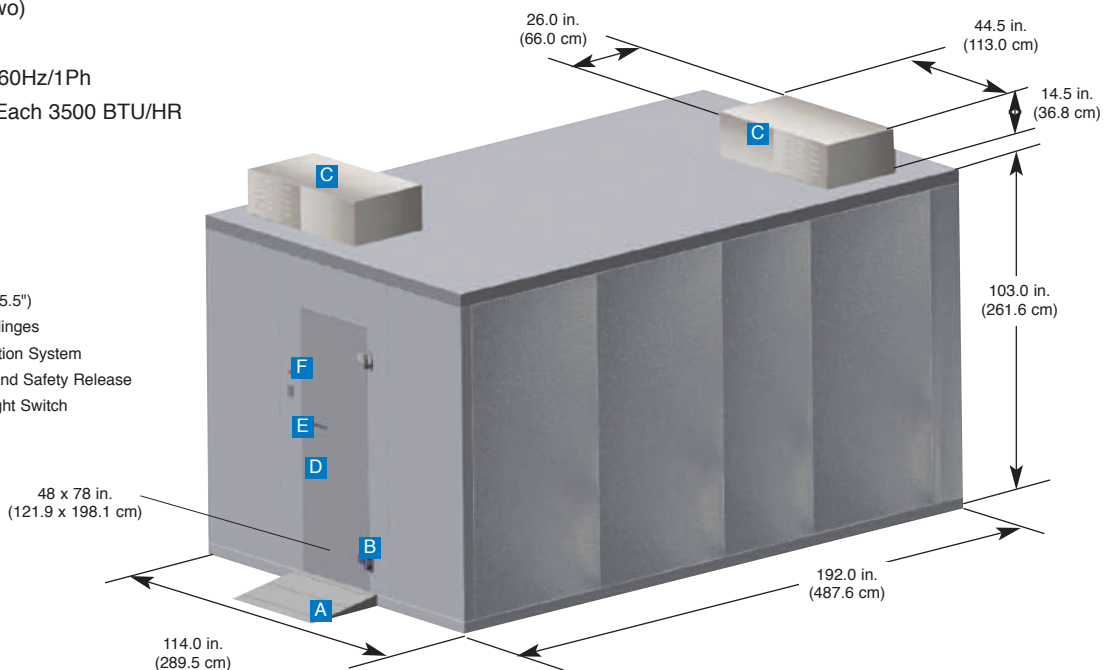
- A** Exterior Ramp (48" x 25.5")
- B** Heavy-Duty Cam-Lift Hinges
- C** Door Closure
- D** Capsule Pak Refrigeration System
- E** Door Latch with Lock and Safety Release
- F** Pilot Lighted On/Off Light Switch
- G** Digital Thermometer



KE400 Walk-In, 4-5 Body

- Operating Temperature: 39°F (4°C)
- 1/2 Horsepower (two)
- R404 Refrigerant
- Electrical 120 Volt/60Hz/1Ph
- System Capacity: Each 3500 BTU/HR @ 90° F Ambient

- A** Exterior Ramp (48" x 25.5")
- B** Heavy-Duty Cam-Lift Hinges
- C** Capsule Pak Refrigeration System
- D** Door Latch with Lock and Safety Release
- E** Pilot Lighted On/Off Light Switch
- F** Digital Thermometer

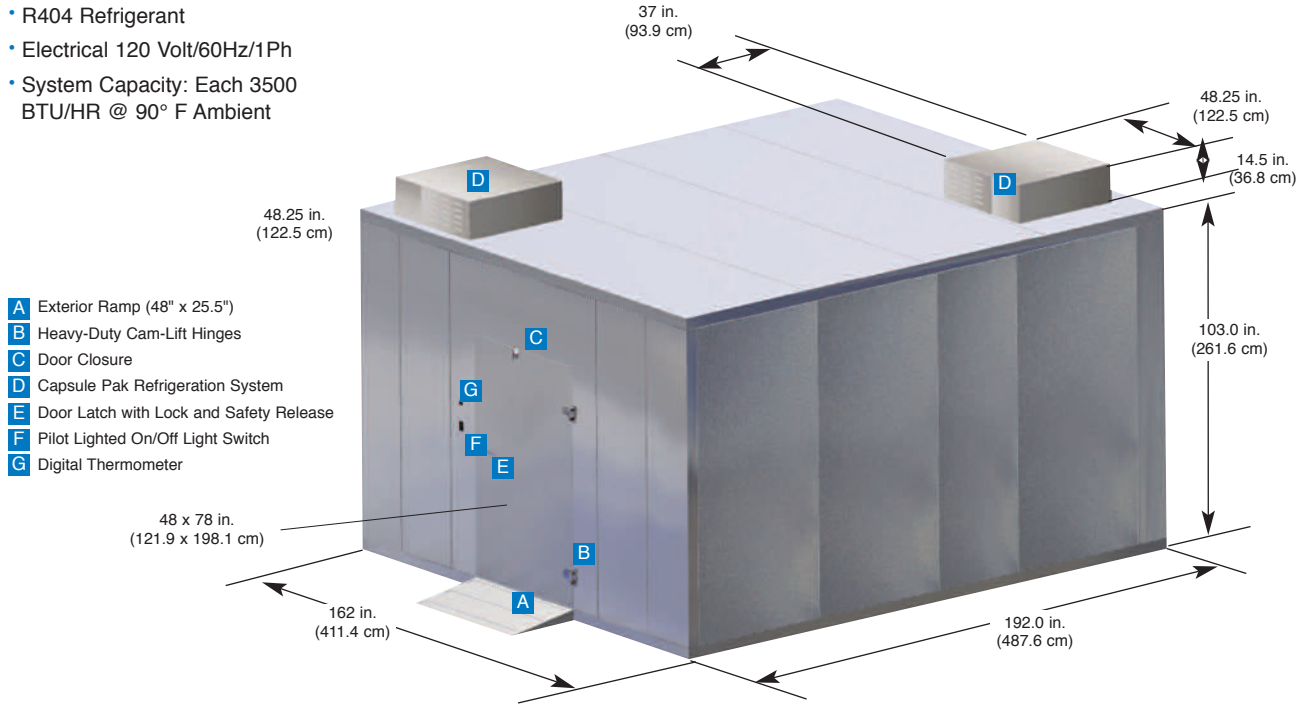


Walk-In Refrigerator System

1

KE500 Walk-In, 6-7-8 Body

- Operating Temperature: 39°F (4°C)
- 1/2 Horsepower (two)
- R404 Refrigerant
- Electrical 120 Volt/60Hz/1Ph
- System Capacity: Each 3500 BTU/HR @ 90° F Ambient



Mopec's refrigeration systems are designed to achieve and maintain scheduled room temperature requirements

7

8

9

Walk-In Refrigerator Specifications

PRODUCT	KE100	KE200	KE300	KE400	KE500
Type	Walk-In	Walk-In	Walk-In	Walk-In	Walk In
Door Style	Walk-In	Walk-In	Walk-In	Walk-In	Walk-In
Body Capacity	1	2	3	4-5	6-7-8
Dimensions (Front x Side x Height)	66" x 102" x 103"	84" x 102" x 103"	114" x 102" x 103"	114" x 192" x 103"	162" x 192" x 103"
Electrical	115v 1ph 60hz	115v 1ph 60hz	208/230-1-60	115v 1ph 60hz	208/230v-1 60hz
Refrigerant	R404	R404	R404	R404	R404
Refrigeration System H.P.	1/2 H.P.	1/2 H.P.	3/4 H.P.	(2) 1/2 H.P.	(2) 3/4 H.P.
Compressor Capacity	3500 BTU/HR	3500 BTU/HR	5400 BTU/HR	3500 BTU/HR x (2)	3500 BTU/HR x (2)
Door Opening Size (W,H) - in	48" x 78"	48" x 78"	48" x 78"	48" x 78"	48" x 78"
Shipping Weight	1765 lbs.	2050 lbs.	2373 lbs.	3909 lbs.	4967 lbs.

10

11

LAB FURNITURE AND CASEWORK

Chapter 10



C Series Cabinet Specifications	390-391
C Series Assembled Units Layout Styles	392-393
Wall Cabinet Specifications	394-395
Dead Corner Wall Cabinets	396
Tall Storage Cabinets/Solid Doors	397
Tall Storage Cabinets/Glass Doors	398
Base Cabinets	399-401
Specialty Cabinets	402
Corner Base Cabinets	403
Slope Tops and Ceiling Fillers	404
BF600 Downdraft Work Cell	405
Vented Pathology Storage Cabinet	406

C Series Cabinet Specifications

1

Casework Construction

Materials: All Mopec cabinets are constructed of heavy-duty stainless steel (A.I.S.I. type 304, chrome nickel alloy containing 18% chrome and 8% nickel with a #4 satin finish). All exposed welds are a continuous bead type and are ground and regrained to match the adjacent #4 satin finish.

Cabinets: All face joints are flush without overlaps. Corners are reinforced with angles or welded, as required. All exposed face rails and stiles are 1-1/4" wide. A 3/4" deep by 1/2" rabbet is provided for all doors and drawers. Each cabinet is fabricated with a four inch high by three inch deep toe space. Each corner is fitted with a 14 gauge gusset along with an adjustable bolt for leveling during installation. One shelf is provided for each cabinet section complete with adjustable KV type brackets for easy adjustment on 1/2" centers.



ADA Compliant cabinets also available.

Door and Drawers: Each door and drawer face is fabricated with 5/8" thick double-pan construction, filled with an insulating board securely cemented to both pans. Swing doors are provided with No. 14 gauge tapped reinforcement strips to support the hinges and fitted with 3/8" diameter rubber bumpers at the corners of the jamb side. Each door has two brushed stainless steel hinges with nylatron bushings. Each drawer is fabricated with four nylon tiered ball bearing rollers along with a 14 gauge channel. The drawer will automatically close at the last 5" of travel and is capable of carrying 100 lbs.

Sliding Metal Doors: Doors are constructed similar to the hinged door without hinge reinforcements. Each sliding door is fitted with two grooved nylon sheaves that ride on an aluminum track set in the bottom of the cabinet. The top of each door has two nylon guides to prevent metal-to-metal contact.



Completed lab with cabinets

2

3

4

5

6

7

8

9

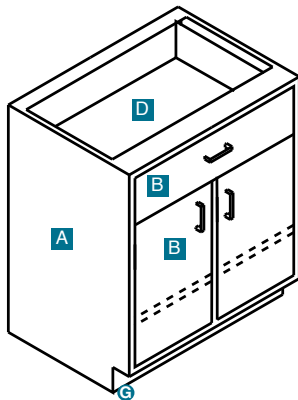
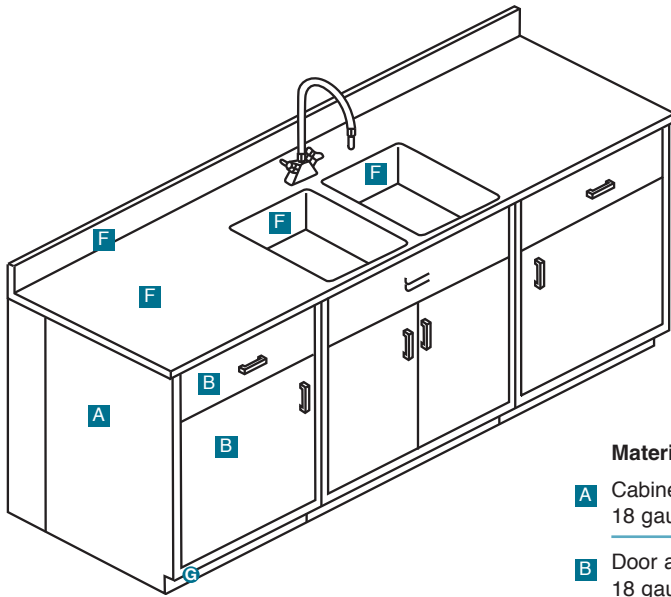
10

11



Custom cabinets

C Series Cabinet Specifications



Material Gauge

- A** Cabinet sides, back, bottom and top:
18 gauge

- B** Door and drawer outer pans:
18 gauge

- C** Door and drawer inner pans:
20 gauge (hidden)

- D** Drawer body:
20 gauge

- E** Drawer suspension:
14 gauge (hidden)

- F** Counter top, back splash and sink bowl:
16 gauge

- G** Shelves, sloped tops and sub-bases:
18 gauge (hidden)

- H** Hinge reinforcement:
14 gauge (hidden)

Cabinet Key:

Product # LA___-___
= Wall Mounted
w/Solid Door(s)

Product # LB___-___
= Wall Mounted
w/Glass Door(s)

Product # LC___-___
= Floor Mounted
w/Solid Door(s)

Product # LD___-___
= Floor Mounted
w/Glass Door(s)

Product # LE___-___
= Base Cabinets

Product # LF___-___
= Trim and Accessories

Rubber bumpers and stops are supplied with all doors. Glass doors will be similar to the metal doors with vertical and horizontal stiles 2" in width. Doors with frames are glazed with 7/32" thick glass set in Neoprene channels. Doors without a frame are constructed with tempered glass.

Hardware: All exposed hardware is brushed stainless steel. Hinges are .093" thick with lubricate impregnated nylon as the friction surface. Each door is provided with a nylon roller friction latch and rubber bumpers.

Cabinet Shelves: The shelves have front, back and ends flanged down 1" with the flange at front and back turned up at an angle to establish firm contact with the underside of the shelf. All shelves are supported with cadmium plated brackets adjustable on 1/2" centers.

Counter Top Construction: Formed edges are 1-1/4" thick with a marine edge around the perimeter. Counter tops that do not include an integrally constructed sink will not be formed with a marine edge. The underside of the counter is reinforced

with steel channels and covered with sound deadening material. All exposed welding is ground smooth and regrained to match a #4 satin finish.

Stainless Steel Sinks: Stainless steel sink bowls are made from sheet steel and formed to provide a seamless construction. Internal radiuses are 1" and pitched to the formed sink strainer basket to insure proper drainage. Sinks are integral construction without seams, ground and polished to match the adjacent surfaces. Sink depths are 7" and sized as follows: A) 14" x 17", B) 20" x 17" and C) 24" x 17". Custom sizes are available.

Stainless Steel Finish: All welds use stainless steel filler media with all exposed welds ground smooth and regrained to match the adjacent #4 satin finish.

1

2

3

4

5

6

7

8

9

10

11

C Series Assembled Unit Layout Styles

Standing Height Assembly - Side View

1

2

3

4

5

6

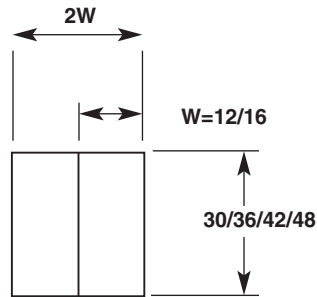
7

8

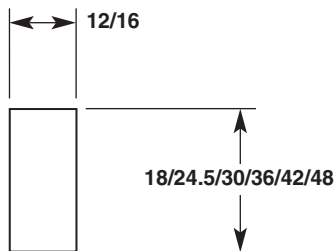
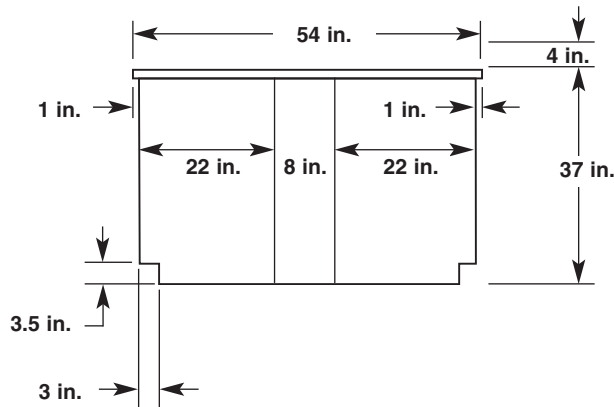
9

10

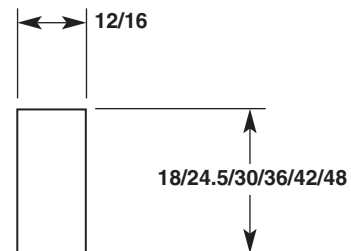
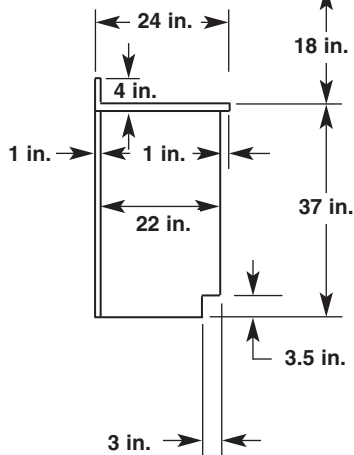
11



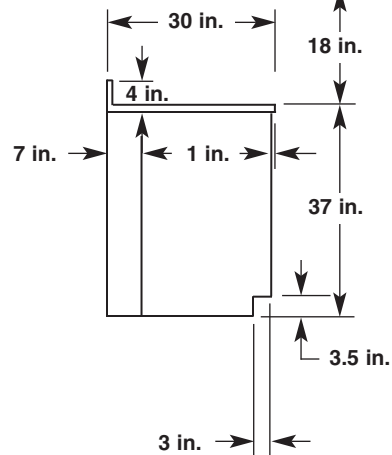
Island Style



Wall Style
24" Top



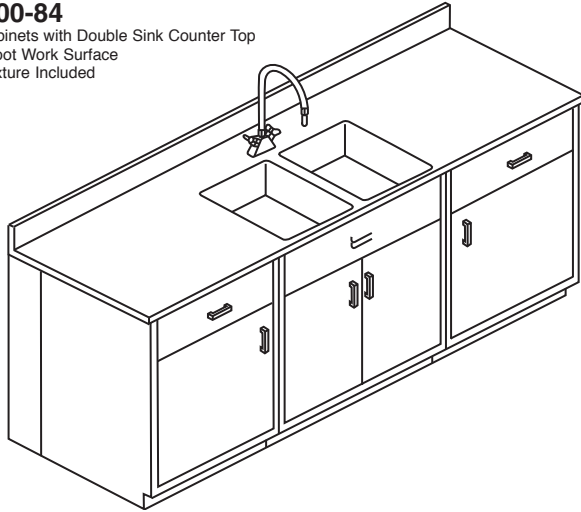
Wall Style
30" Top



C Series Assembled Units

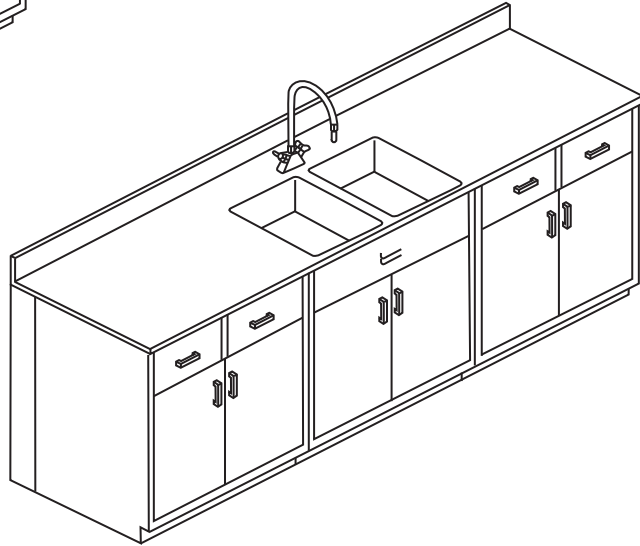
LG-100-84

Base Cabinets with Double Sink Counter Top
Seven Foot Work Surface
Water Fixture Included



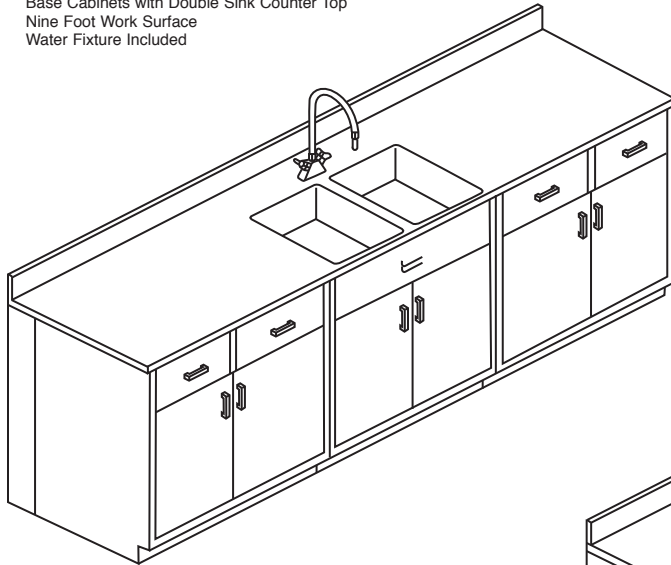
LG-100-96

Base Cabinets with Double Sink Counter top
Eight Foot Work Surface
Water Fixture Included



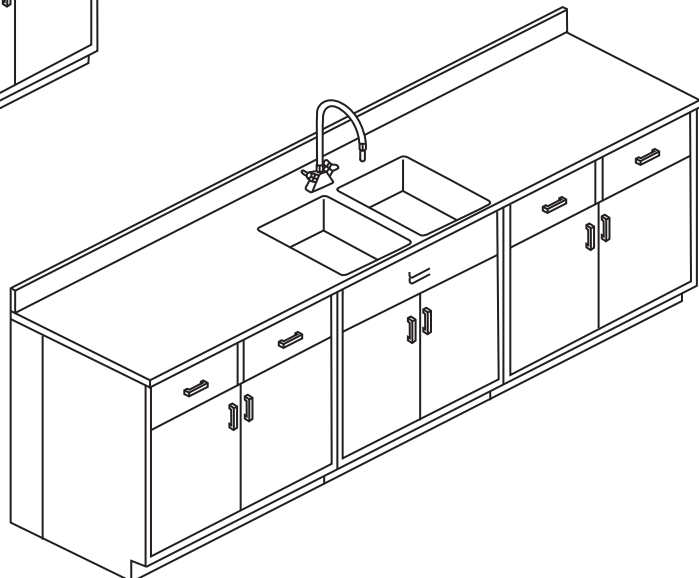
LG-100-108

Base Cabinets with Double Sink Counter Top
Nine Foot Work Surface
Water Fixture Included



LG-100-120

Base Cabinets with Double Sink Counter top
Ten Foot Work Surface
Water Fixture Included



1

2

3

4

5

6

7

8

9

10

11

Wall Cabinet Specifications

12" Deep Cabinets/Stainless Steel Door

1

2

3

4

5

6

7

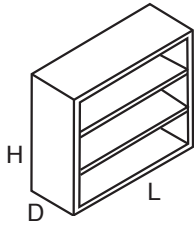
8

9

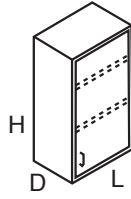
10

11

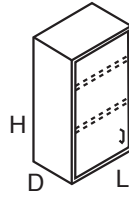
H=Height
D=Depth
L=Length



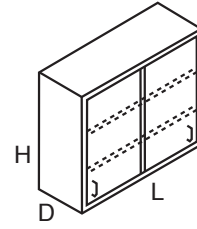
• Open Front Unit



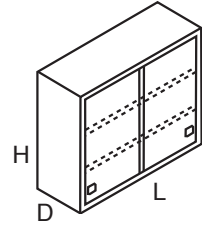
• Swing Door Unit
• Hinged Solid Doors (Right)



• Swing Door Unit
• Hinged Solid Doors (Left)



• Swing Door Unit
• Hinged Solid Doors



• Sliding Door Unit
• Flush Pulls
• Solid Door Panels

Last two digits of catalog number indicate length (L)

18" High with No Shelf

LA268-18	LA260-18	LA261-18	LA262-30	LA266-30
LA268-24	LA260-24	LA261-24	LA262-36	LA266-36
LA268-30			LA262-42	LA266-42
LA268-36			LA262-48	LA266-48
LA268-42				
LA268-48				

30" High with 2 Shelves

LA201-18	LA217-18	LA218-18	LA203-30	LA205-30
LA201-24	LA217-24	LA218-24	LA203-36	LA205-36
LA201-30			LA203-42	LA205-42
LA201-36			LA203-48	LA205-48
LA201-42				
LA201-48				

36" High with 2 Shelves

LA238-18	LA230-18	LA231-18	LA232-30	LA236-30
LA238-24	LA230-24	LA231-24	LA232-36	LA236-36
LA238-30			LA232-42	LA236-42
LA238-36			LA232-48	LA236-48
LA238-42				
LA238-48				

42" High with 2 Shelves

LA248-18	LA240-18	LA241-18	LA242-30	LA246-30
LA248-24	LA240-24	LA241-24	LA242-36	LA246-36
LA248-30			LA242-42	LA246-42
LA248-36			LA242-48	LA246-48
LA248-42				
LA248-48				

48" High with 3 Shelves

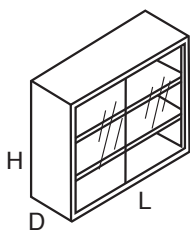
LA258-18	LA250-18	LA251-18	LA252-30	LA256-30
LA258-24	LA250-24	LA251-24	LA252-36	LA256-36
LA258-30			LA252-42	LA256-42
LA258-36			LA252-48	LA256-48
LA258-42				
LA258-48				

ADA (32" H) and sitting (28-1/2" H) cabinets are available
Mopec offers a wide selection of additional sizes - please check with a Mopec Representative

Wall Cabinet Specifications

12" Deep Cabinets/Glass Door

H=Height
D=Depth
L=Length



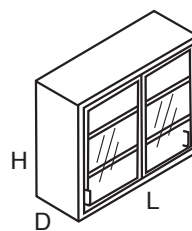
- Sliding Door Unit
- Frameless Glass Doors
- 1/4" Tempered Glass



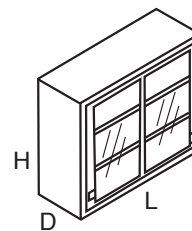
- Swing Door Unit
- Hinged Glass Doors
- 1/4" Float Glass (Right)



- Swing Door Unit
- Hinged Glass Doors
- 1/4" Float Glass (Left)



- Swing Door Unit
- Hinged Glass Doors
- 1/4" Float Glass



- Sliding Door Unit
- Flush Pulls
- 1/4" Float Glass

Last two digits of catalog number indicate length (L)

18" High with No Shelf

LB267-30	LB263-18	LB264-18	LB265-30	LB269-30
LB267-36	LB263-24	LB264-24	LB265-36	LB269-36
LB267-42			LB265-42	LB269-42
LB267-48			LB265-48	LB269-48

30" High with 2 Shelves

LB219-30	LB210-18	LB211-18	LB206-30	LB208-30
LB219-36	LB210-24	LB211-24	LB206-36	LB208-36
LB219-42			LB206-42	LB208-42
LB219-48			LB206-48	LB208-48

36" High with 2 Shelves

LB237-30	LB233-18	LB234-18	LB235-30	LB239-30
LB237-36	LB233-24	LB234-24	LB235-36	LB239-36
LB237-42			LB235-42	LB239-42
LB237-48			LB235-48	LB239-48

42" High with 2 Shelves

LB247-30	LB243-18	LB244-18	LB245-30	LB249-30
LB247-36	LB243-24	LB244-24	LB245-36	LB249-36
LB247-42			LB245-42	LB249-42
LB247-48			LB245-48	LB249-48

48" High with 3 Shelves

LB257-30	LB253-18	LB254-18	LB255-30	LB259-30
LB257-36	LB253-24	LB254-24	LB255-36	LB259-36
LB257-42			LB255-42	LB259-42
LB257-48			LB255-48	LB259-48

1

2

3

4

5

6

7

8

9

10

11

ADA (32" H) and sitting (28-1/2" H) cabinets are available
Mopec offers a wide selection of additional sizes - please check with a Mopec Representative

Dead Corner Wall Cabinets

1

2

3

4

5

6

7

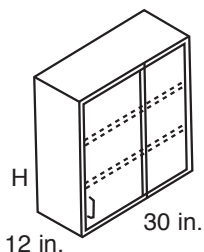
8

9

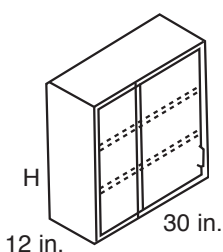
10

11

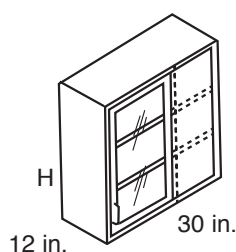
H=Height
D=Depth
L=Length



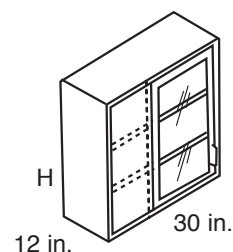
- Dead Corner
- Solid Door
- Right Door Swing



- Dead Corner
- Solid Door
- Left Door Swing



- Dead Corner
- Glass Door
- 1/4" Float Glass
- Right Door Swing

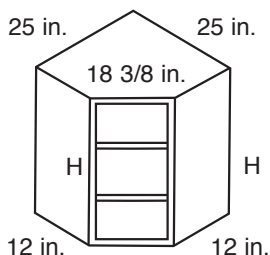


- Dead Corner
- Glass Door
- 1/4" Float Glass
- Left Door Swing

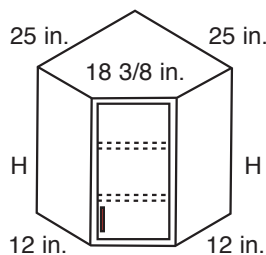
Last two digits of catalog number indicate length (L)

Product No.	Product No.	Product No.	Product No.
LA282-30 (H = 24.5 in.)	LA286-30 (H = 24.5 in.)	LB290-30 (H = 24.5 in.)	LB294-30 (H = 24.5 in.)
LA283-30 (H = 30 in.)	LA287-30 (H = 30 in.)	LB291-30 (H = 30 in.)	LB295-30 (H = 30 in.)
LA284-30 (H = 36 in.)	LA288-30 (H = 36 in.)	LB292-30 (H = 36 in.)	LB296-30 (H = 36 in.)
LA285-30 (H = 48 in.)	LA289-30 (H = 48 in.)	LB293-30 (H = 48 in.)	LB297-30 (H = 48 in.)

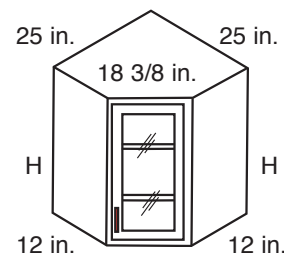
Corner Wall Cabinets



- Corner Angle
- Open Face



- Corner Angle
- Solid Door
- Right. Door Swing



- Corner Angle
- Glass Door
- 1/4" Float Glass,
- Right. Swing Only

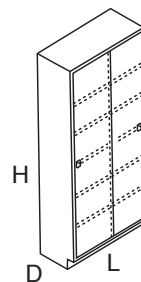
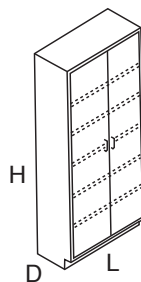
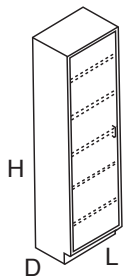
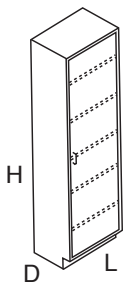
Product No.	Product No.	Product No.
LA270-25 (H = 24.5 in.)	LA274-25 (H = 24.5 in.)	LB278-25 (H = 24.5 in.)
LA271-25 (H = 30 in.)	LA275-25 (H = 30 in.)	LB279-25 (H = 30 in.)
LA272-25 (H = 36 in.)	LA276-25 (H = 36 in.)	LB280-25 (H = 36 in.)
LA273-25 (H = 48 in.)	LA277-25 (H = 48 in.)	LB281-25 (H = 48 in.)
	LA278-25 (H = 24.5 in.)	LB282-25 (H = 48 in.)

ADA (32" H) and sitting (28-1/2" H) cabinets are available
Mopec offers a wide selection of additional sizes - please check with a Mopec Representative

Tall Storage Cabinets/Solid Doors

Available Depths 16", 18", 22" and 24"

H=Height
D=Depth
L=Length



- Swing Door Storage Unit
- Five Adjustable Shelves
- Hinged Solid Door Panels
- Right Door Swing

- Swing Door Storage Unit
- Five Adjustable Shelves
- Hinged Solid Door Panels
- Left Door Swing

- Swing Door Storage Unit
- Five Adjustable Shelves
- Hinged Solid Door Panels

- Sliding Door Storage Unit
- Five Adjustable Shelves
- Flush Pulls
- Solid Door Panels

All units are 83-1/2" high (H) plus 1" maximum adjustment of leveling feet.

16" Deep			
LC319-18	LC320-18	LC353-30	LC355-30
LC319-24	LC320-24	LC353-36	LC355-36
		LC353-42	LC355-42
		LC353-48	LC355-48

Last two digits of catalog number indicate length (L)

18" Deep			
LC330-18	LC331-18	LC332-30	LC336-30
LC330-24	LC331-24	LC332-36	LC336-36
		LC332-42	LC336-42
		LC332-48	LC336-48

22" Deep			
LC313-18	LC314-18	LC303-30	LC305-30
LC313-24	LC314-24	LC303-36	LC305-36
		LC303-42	LC305-42
		LC303-48	LC305-48

24" Deep			
LC340-18	LC341-18	LC342-30	LC346-30
LC340-24	LC341-24	LC342-36	LC346-36
		LC342-42	LC346-42
		LC342-48	LC346-48

1

2

3

4

5

6

7

8

9

10

11

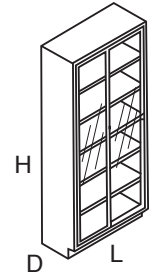
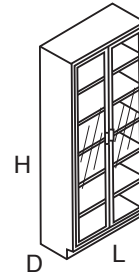
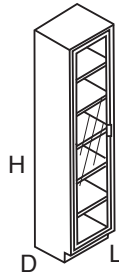
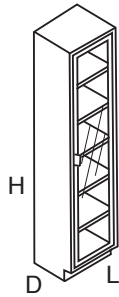
ADA (32" H) and sitting (28-1/2" H) cabinets are available
Mopec offers a wide selection of additional sizes - please check with a Mopec Representative

Tall Storage Cabinets/Glass Doors

Available Depths 16", 18", 22" and 24" Deep

1

H=Height
D=Depth
L=Length



2

All units are 83-1/2" high (H) plus 1" maximum adjustment of leveling feet.

3

- Glass Door Storage Unit
 - Glazed Glass Door
 - Five Adjustable Shelves
 - 1/4" Float Glass
 - Right Door Swing
- Glass Door Storage Unit
 - Glazed Glass Door
 - Five Adjustable Shelves
 - 1/4" Float Glass
 - Left Door Swing
- Sliding Glass Door Storage Unit
 - Glazed Glass Door
 - Five Adjustable Shelves
 - 1/4" Float Glass
- Sliding Glass Door Storage Unit
 - Glazed Glass Door
 - Five Adjustable Shelves
 - 1/4" Float Glass
 - Flush Pulls

4

Last two digits of catalog number indicate length (L)

16" Deep			
LD321-18	LD322-18	LD357-30	LD358-30
LD321-24	LD322-24	LD357-36	LD358-36
		LD357-42	LD358-42
		LD357-48	LD358-48

5

18" Deep			
LD333-18	LD334-18	LD335-30	LD337-30
LD333-24	LD334-24	LD335-36	LD337-36
		LD335-42	LD337-42
		LD335-48	LD337-48

6

7

22" Deep			
LD315-18	LD316-18	LD307-30	LD308-30
LD315-24	LD316-24	LD307-36	LD308-36
		LD307-42	LD308-42
		LD307-48	LD308-48

8

9

24" Deep			
LD343-18	LD344-18	LD345-30	LD347-30
LD343-24	LD344-24	LD345-36	LD347-36
		LD345-42	LD347-42
		LD345-48	LD347-48

10

11

ADA (32" H) and sitting (28-1/2" H) cabinets are available
Mopec offers a wide selection of additional sizes - please check with a Mopec Representative

Base Cabinets

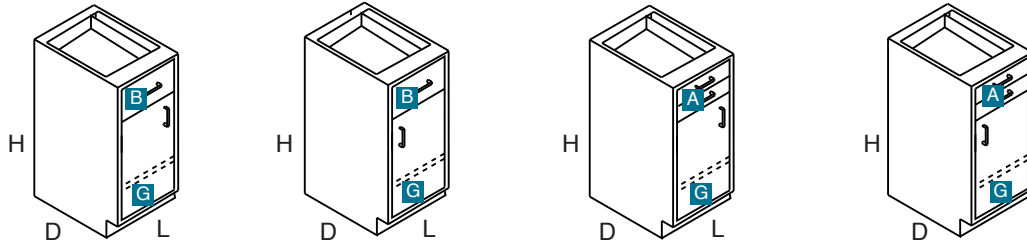
Standing Height 35-1/4" x 22" Deep

H=Height
D=Depth
L=Length

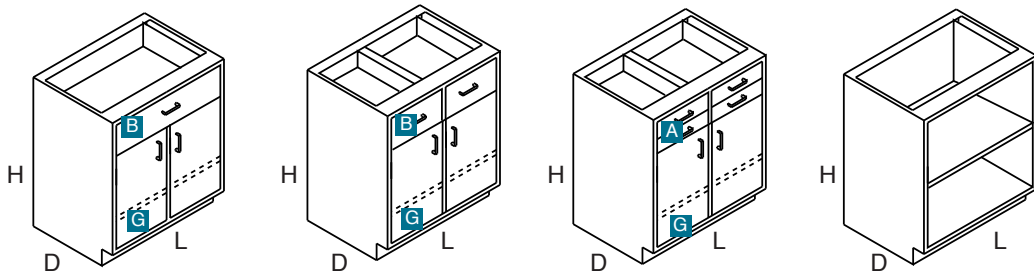
Drawer and Door Heights	
Drawer Letter	Approximate Height
A	3-1/2"
B	7"

Drawer and Door Heights	
Drawer Letter	Approximate Height
G	22"
H	29"

Last two digits of catalog number indicate length (L)



Product No.	Product No.	Product No.	Product No.
LE119-18	LE118-18	LE133-18	LE132-18
LE119-24	LE118-24	LE133-21	LE132-24
		LE133-24	



Product No.	Product No.	Product No.	Product No.
LE105-30	LE106-30	LE108-30	LE101-18
LE105-36	LE106-36	LE108-36	LE101-24
LE105-42	LE106-42	LE108-42	LE101-30
LE105-48	LE106-48	LE108-48	LE101-36
			LE101-42
			LE101-48



ADA (32" H) and sitting (28-1/2" H) cabinets are available
Mopec offers a wide selection of additional sizes - please check with a Mopec Representative



Base Cabinets

Standing Height 35-1/4" x 22" Deep

1

2

3

4

5

6

7

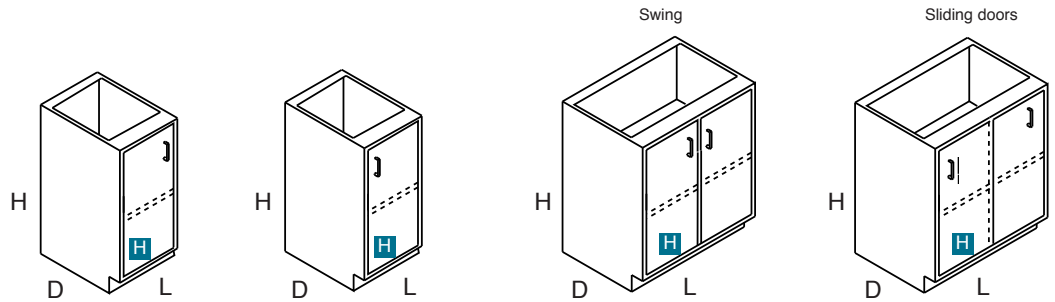
8

9

10

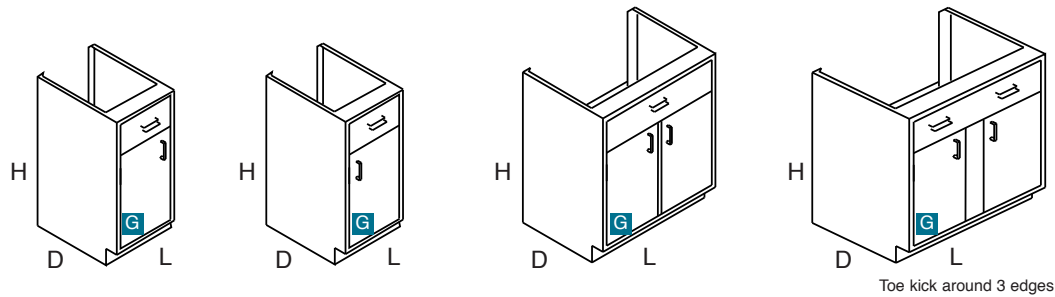
11

H=Height
D=Depth
L=Length



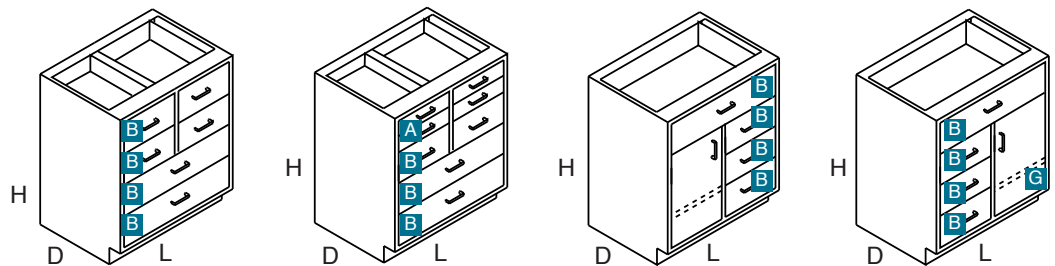
Product No.	Product No.	Product No.	Product No.
LE196-18	LE195-18	LE103-30	LE100-30
LE196-24	LE195-24	LE103-36	LE100-36
		LE103-42	LE100-42
		LE103-48	LE100-48

Last two digits
of catalog number
indicate
length (L)



Toe kick around 3 edges

Product No.	Product No.	Product No.	Product No.
LE194-18	LE193-18	LE181-30	LE186-52
LE194-24	LE193-24	LE181-36	LE186-58
		LE181-42	
		LE181-48	

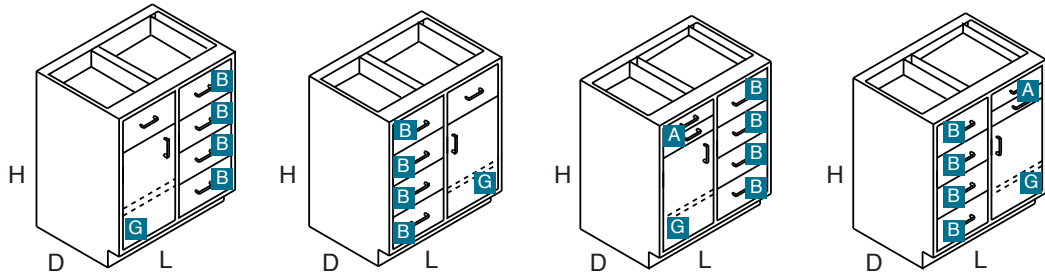


Product No.	Product No.	Product No.	Product No.
LE138-30	LE139-30	LE148-30	LE117-30
LE138-36	LE139-36	LE148-36	LE117-36
LE138-42	LE139-42	LE148-42	LE117-42
LE138-48	LE139-48	LE148-48	LE117-48

ADA (32" H) and sitting (28-1/2" H) cabinets are available
Mopec offers a wide selection of additional sizes - please check with a Mopec Representative

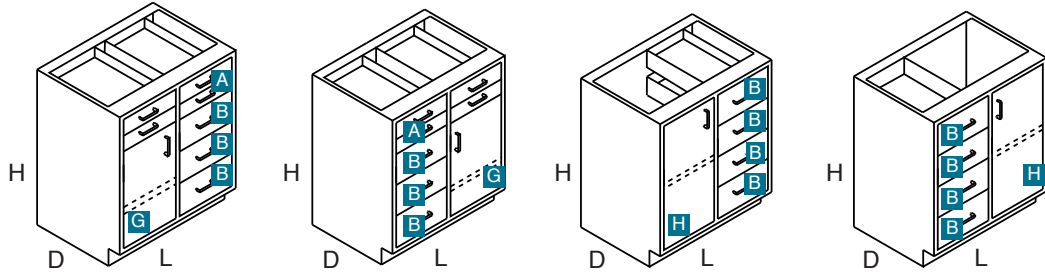
Base Cabinets

Standing Height 35-1/4" x 22" Deep



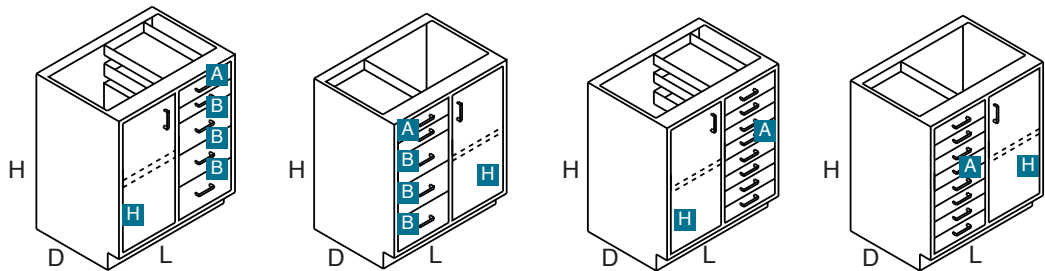
H=Height
D=Depth
L=Length

Product No.	Product No.	Product No.	Product No.
LE136-30	LE113-30	LE140-30	LE114-30
LE136-36	LE113-36	LE140-36	LE114-36
LE136-42	LE113-42	LE140-42	LE114-42
LE136-48	LE113-48	LE140-48	LE114-48



Last two digits
of catalog number
indicate
length (L)

Product No.	Product No.	Product No.	Product No.
LE147-30	LE115-30	LE116-30	LE110-30
LE147-36	LE115-36	LE116-36	LE110-36
LE147-42	LE115-42	LE116-42	LE110-42
LE147-48	LE115-48	LE116-48	LE110-48



Product No.	Product No.	Product No.	Product No.
LE120-30	LE111-30	LE135-30	LE112-30
LE120-36	LE111-36	LE135-36	LE112-36
LE120-42	LE111-42	LE135-42	LE112-42
LE120-48	LE111-48	LE135-48	LE112-48

ADA (32" H) and sitting (28-1/2" H) cabinets are available
Mopec offers a wide selection of additional sizes - please check with a Mopec Representative



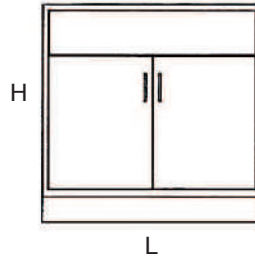
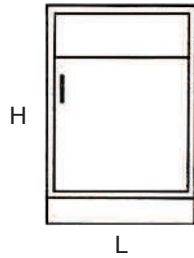
Specialty Cabinets

Standing Height 35-1/2" x 22" Deep (Note Special Depth)

Fume Hood Base Cabinet – 22" Deep

Full solid back for added support

H = Height
D = Depth
L = Length



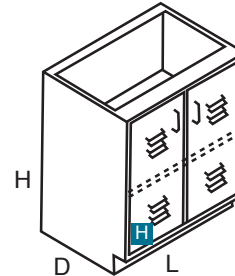
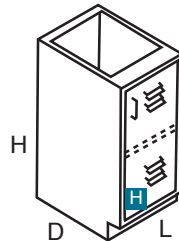
Door Heights	
Door Letter	Approximate Height
G	22"
H	29"

Last two digits of catalog number indicate length (L)

Product No.	Product No.	Product No.
LE187-18	LE187-30	LE187-48
LE187-24	LE187-36	LE187-60
	LE187-42	

Acid Storage Base Cabinets – 22" Deep

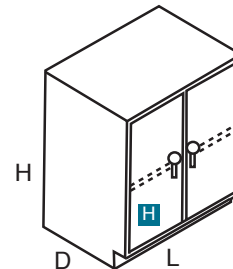
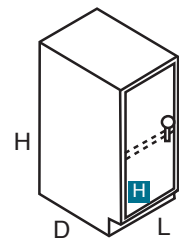
Glasticboard lined. Labeled: Acid



Product No.	Product No.
LE188-18	LE188-30
LE188-24	LE188-36
	LE188-42
	LE188-48

Flammable Storage Base Cabinets – 22" Deep

(1) Shelf included. Labeled: Flammable Keep Flames and Heat Away.



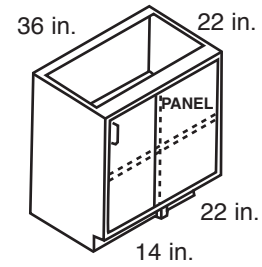
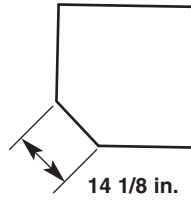
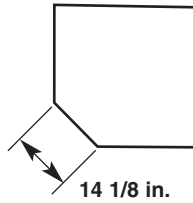
Product No.	Product No.
LE189-18	LE189-30
LE189-24	LE189-36
	LE189-42
	LE189-48

ADA (32" H) and sitting (28-1/2" H) cabinets are available
Mopec offers a wide selection of additional sizes - please check with a Mopec Representative

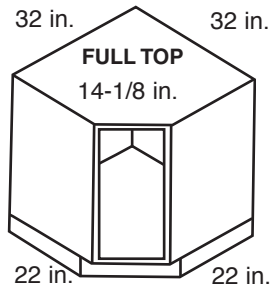
Corner Base Cabinets

Standing Height 35-1/2" x 22" Deep

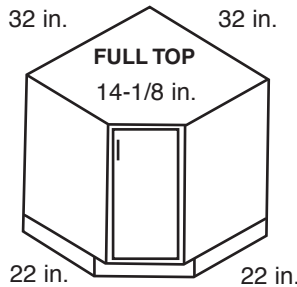
Last two digits of catalog number indicate length (L)



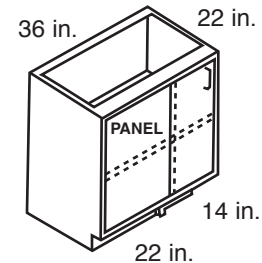
- Dead Corner (Fixed Panel)
- Base Cabinets (Right door swing) LE192-36



- Corner Angle
- Base Cabinets (Open face) LE197-32
- Shelf Not Included



- Base Cabinets (Right door swing only) LE190-32
- Shelf Not Included

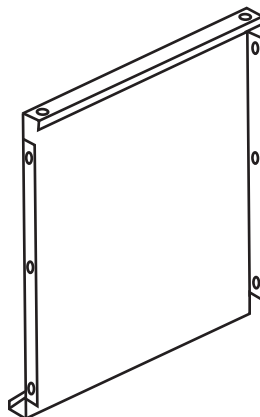


- Dead Corner (Fixed Panel)
- Base Cabinets (Left door swing) LE198-36

Fillers

All fillers are formed to provide an installation free of exposed fasteners. Designed to be used with standard size casework as shown in this catalog.

Last two digits of catalog number indicate length (L)



Removable Knee Space Panel

18 Gauge Construction

35-1/4" High without apron Standing Height

Product No.

- LF507-18
- LF507-24
- LF507-30
- LF507-36
- LF507-42
- LF507-48
- LF507-54
- LF507-60
- LF507-66



Rear Channel Filler

18 Gauge Construction

35-1/4" High Standing Height

Product No.

- LF510-01
- LF510-02
- LF510-07
- LF510-08
- LF510-13
- LF510-14

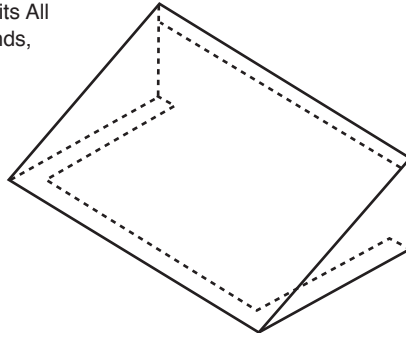


ADA (32" H) and sitting (28-1/2" H) cabinets are available
 Mopec offers a wide selection of additional sizes - please check with a Mopec Representative

Slope Tops and Ceiling Fillers

Slope Tops

For Wall Hung or Storage Units All
Slope Tops Have Finished Ends,
18 Gauge Construction

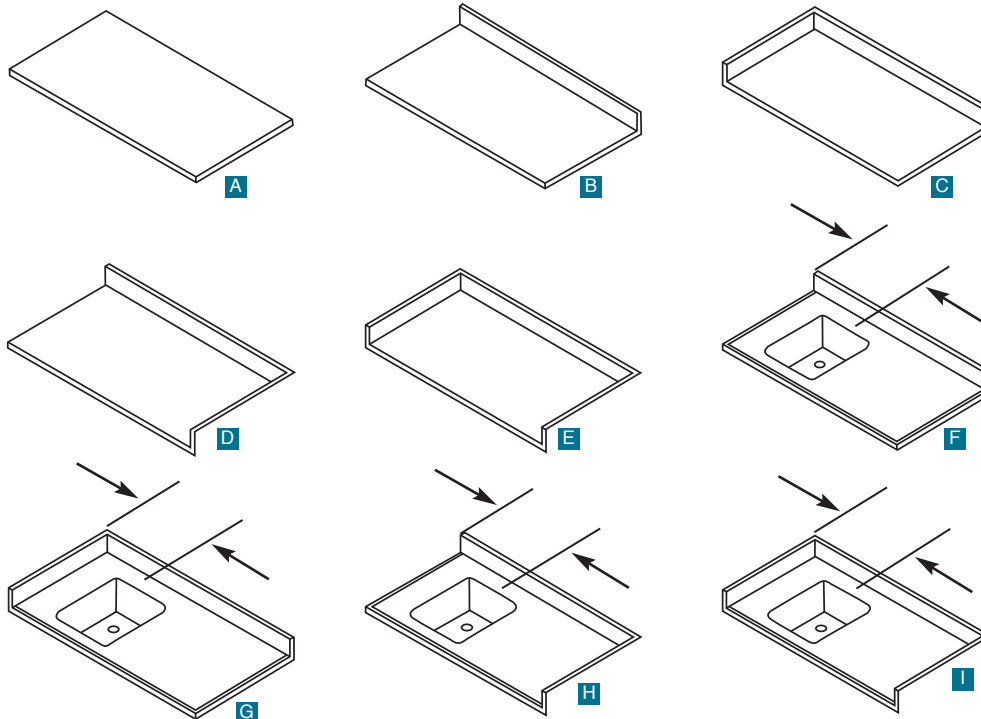


Product No. 12" Deep	Product No. 16" Deep	Product No. 18" Deep	Product No. 22" Deep	Product No. 24" Deep
LF526-18	LF522-18	LF527-18	LF524-18	LF528-18
LF526-24	LF522-24	LF527-24	LF524-24	LF528-24
LF526-30	LF522-30	LF527-30	LF524-30	LF528-30
LF526-36	LF522-36	LF527-36	LF524-36	LF528-36
LF526-42	LF522-42	LF527-42	LF524-42	LF528-42
LF526-48	LF522-48	LF527-48	LF524-48	LF528-48
		LF527-84		LF528-72

Last two digits
of catalog number
indicate length (L)

Stainless Steel Tops and Sinks

* All tops and sinks are 16 gauge - type 304 stainless steel finished to a #4 satin finish.



ADA (32" H) and sitting (28-1/2" H) cabinets are available
Mopec offers a wide selection of additional sizes - please check with a Mopec Representative

BF600 Downdraft Work Cell



Designed to fit in a 30" front to back countertop (cabinet optional). Removable work surface provides for easy cleaning. Downdraft workcell has a 3-1/2" cup drain for any overflow and washdowns.

Using downdraft fume exhaust technology the BF600 downdraft work cell provides a safe economical downdraft working environment. Ideal for working with reagents, formalin, xylene and alcohol. Requires a sink base cabinet.

Overall Dimensions: 27" L x 27" W x 8" D
(68.5 cm x 68.6 cm x 20.3 cm)

Custom sizes available

Please note: BF600 is not an actual sink and should not be plugged to retain fluids.

Product No. BF600



(Customer's existing base cabinet with counter top)



Cabinet not included



Cabinet not included

- 1
- 2
- 3
- 4
- 5
- 6
- 7
- 8
- 9
- 10
- 11

Vented Pathology Cabinets

Excellent for Short and Long Term Specimen Storage

Vented Storage Cabinets

When storing wet tissue specimens vented storage cabinets are a necessity in any laboratory. Residual formalin that evaporates from the specimen storage container and vapor leakage from the storage container accumulates in the storage cabinet. The vented storage cabinet will eliminate the residual formalin fumes when tied into the building ventilation system. Available on both wall mounted and free standing cabinets, the cabinet ventilation option can be added to any cabinet within the LA Series, LB Series, LC Series and LD Series. The cabinets feature glass or solid doors. Cabinets can be easily cleaned with any of Mopec's disinfectants, Mopec's Stainless Steel Wipes or cleaner formulated for stainless steel.

Standard Features

- All shelves are perforated with 1/2" diameter holes on 3" centers.
- A 6" diameter x 2" high ventilation cuff is centered on the top of each cabinet.
- Specifically designed doors allow for air infiltration to accommodate the negative pressure induced.

For LA Series (Solid Door) and LB Series (Glass Door) Wall Cabinets:
Product No. LV100 Cabinet Ventilation

For LC Series (Solid Door) and LD Series (Glass Door) Tall Cabinets:
Product No. LV200 Cabinet Ventilation

Please call a Mopec Representative for additional information or assistance.

Mopec Can Customize Cabinets to Fit Your Lab



Vented Cabinet with solid doors



Finished lab with Vented Storage Cabinets

1

2

3

4

5

6

7

8

9

10

11

NECROPSY

Chapter 11



OK300 Downdraft T-Shaped Workstation	408-409
OA100 Series Necropsy Tables	410-411
OA200 Series Necropsy Tables	412-413
Options	414-415
OA500 Necropsy Table	416-417
OA600 Necropsy Table	418-419
OA700 Necropsy Table	420-421
OA800 Necropsy Table	422-423
OA900 Elevating Necropsy Table.	424-425
OG100/OG150 Trimming Station	426
OG200 Trimming Station	427
OG250 Trimming Station	428
OG510 Portable Workstation	429
OG900 Dualdraft Trimming Table.	430-431
OC200 Elevating Necropsy Table.	432-433
OC900 Small Necropsy Table	434-435
OJ100 Portable Workstation	436-437
OL100 Downdraft Bedding (Dump) Disposal.	438
OD100 Fold-up Wall Mount Table	439
OL200 Downdraft Ventilated Necropsy Station	440-441

OK300 Downdraft T-Shaped Workstation



OK300 shown with optional extended spray rinse and custom built vent and utility connection.



The OK300 is a large, T-shaped, ventilated workstation designed to accommodate up to five users. Ideal for teaching applications and multiple grossing projects, the OK300 offers: ample workspace, plenty of standard features and the appropriate safety requirements to get the job done – no matter the workload.

The downdraft system provides a safe environment, removing formalin vapors down and away from the user. The entire downdraft area is available for wet use.

The heavy-duty work surface features eight removable grid plates. The entire workstation is fabricated of 14 gauge type stainless steel with a #4 satin finish. The wings are an integral part of each table providing ample work space and are supported by pedestals which contain an access panel which is easily accessible. All welds use stainless steel filler media and all exposed welds are ground smooth and grained to match the workstation's #4 satin finish. The smooth stainless steel underside makes cleaning this workstation easy.

Equipped with Mopec's DownDraft Ventilation System, the OK300 offers a large sink, measuring 18" x 18" x 7" deep (45.7 cm x 45.7 cm x 17.8 cm) at one end with central draining. Two sink rinse fixtures are standard with all sides draining to one section in the middle. Disposal is optional.

OK300 Standard Features

Removable perforated grid plates: Grid plates are recessed 1/2" and supported on the table edge. Grid plates are perforated with 3/8" diameter holes on 1" centers (8 each).

Fabrication: All welding is TIG type with only stainless steel as a filler media.

Faucet with Swing Spout: A hot/cold water faucet with a single lever mixing valve is conveniently located at the top center of the large sink. The swing spout faucet includes a vacuum breaker for potable water protection.

Sink Rinse Fixture: Located on either side of the hot/cold water fixture are two sink rinsing fixtures with cold water spray control.

Frame: The frame is constructed of 1" square tubing using all welded construction.

Utilities: All internal plumbing and electrical lines are factory installed and require only trade hookup.

ISO: Quality Management System in compliance with ISO 9001:2008 and applies: Design, Engineering, Manufacturing and Installation of Equipment Distribution of Supplies for Morgue, Pathology, Histology and Necropsy Applications.

APPROVAL: TUV Listed & Certified: Tests to UL61010-1 :2004 standards in addition to CAN/CSA and NFPA standards. This listing covers the entire product as an entity and not just individual components.

OK300 Optional Features

BL800 Disposal: Heavy-duty 1 HP disposal, complete with on/off switch, water solenoid and vacuum breaker.

OO026 Scale Stand: Table mounted scale support socket. The scale includes a support socket and a support tube allowing the scale to swing over and drain into the sink. Scale and pan not included.

OO028 Replaceable Ruler Inch/Centimeter: Washable, easy to read, inch and centimeter ruler is placed on the inside lip of the trimming area. A special coating protects the scale from most laboratory chemicals.

OO043 Extended Spray Rinse: Extended spray rinse allows for easy cleaning of workstation.

OO047 Type 316 Stainless Steel: Workstation will be constructed of type 316 stainless steel

Unit can be customized to fit your lab requirements with other additional options.

1

2

3

4

5

6

7

8

9

10

11

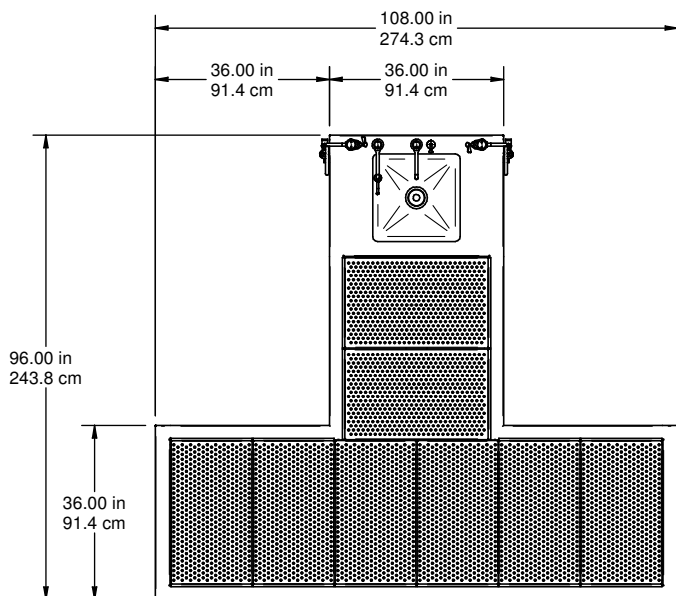
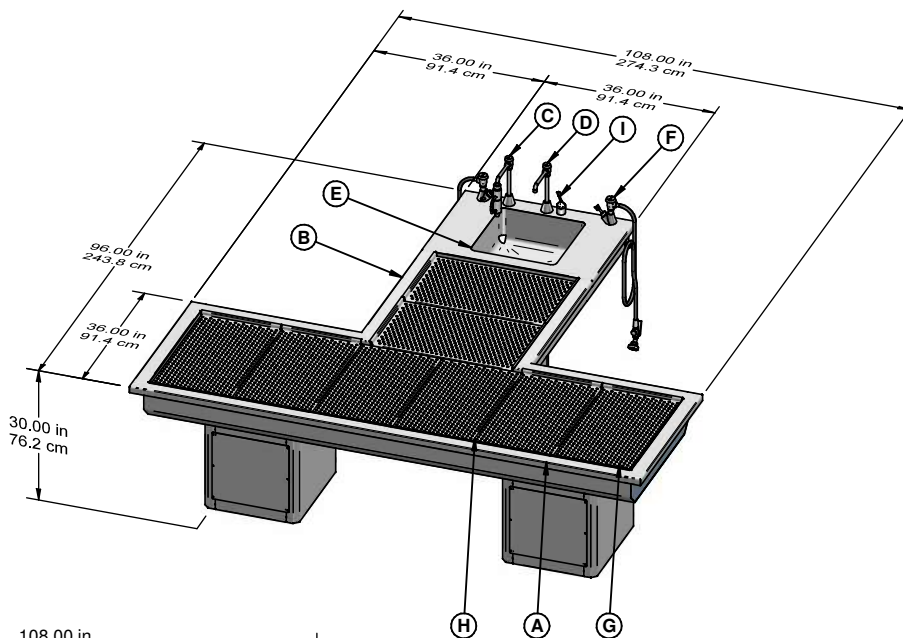
OK300 Downdraft T-Shaped Workstation

STANDARD FEATURES

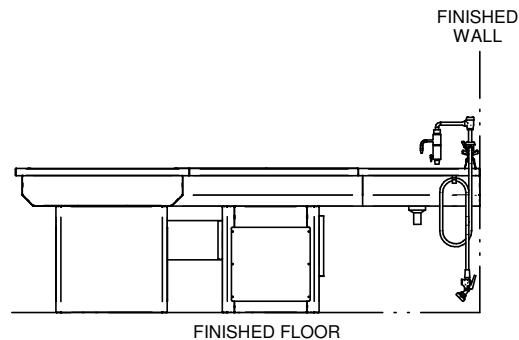
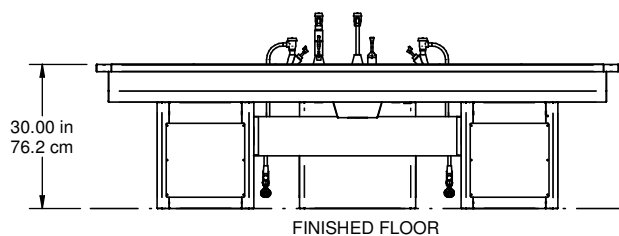
- A Table Top
- B GFCI Electrical Outlet (2)
- C Hydro Aspirator
- D Fixture w/Swing Spout
- E Sink – 18" x 18" x 7.5"
- F Hand Spray (2)
- G Removable Grid Plates (8)
- H Down Draft Ventilation System
- I Mixing Valve

OPTIONAL FEATURES

- OO028 Inch/Centimeter Scale
- OO026 Scale Stand Table Mount
- OO043 Pull-down Sink Spray
- BL800 1 HP Disposal



UL 61010:2004
CAN/CSA-C22.2
NFPA 79-2002



OA100 Series Necropsy Tables

With Bellows Skirt

1

2

3

4

5

6

7

8

9

10

11



OA111 shown without bellows skirt



Bellows skirt

The OA Series are large capacity elevating tables capable of supporting large loads. Designed for the necropsy of large animals the OA Series is designed with a large profile marine edge to help contain fluids. The OA100 Series is also provided with a drain hole with removable perforated screen to help collect debris.

Consisting of a heavy-duty stainless steel top, these units have a hydraulic scissor lift and hydraulic pump unit. The OA Series are designed to handle a centralized load of 5,000 pounds and an offset load of 2,500 pounds. Lift has a capacity up to 5,000 pounds. Designed to stand on its own or within a pit in the room, in its lowered position, the table will be flush with the finish floor line. Available in a rectangular or kidney shape and with or without casters, the standard table is capable of raising 42". Standard table top is 48" wide and 84" long. Easy to use elevation control.

inspected for absolute conformance. All pivot points and rollers are fitted with grease fittings and contain molybdenum disulfide grease such as Molub-Alloy No. 2. The collapsed height is 8" and the vertical travel is 42" (106.6 cm) yielding a 50" (127 cm) extended height.

Hydraulics: The hydraulic system consists of a directly-coupled motor and pump combination, oil reservoir, solenoid operated lowering valve and the necessary piping. The electric motor is capable of withstanding high pressure washdowns with use of bellows. The unit is completely assembled with solenoid valve, check valve, filler breather, pressure compensated flow control valve, electrical control and relief valve. The pump unit is assembled and tested at the factory.

ISO: Quality Management System in compliance with ISO 9001:2008 and applies: Design, Engineering, Manufacturing and Installation of Equipment Distribution of Supplies for Morgue, Pathology, Histology and Necropsy Applications.

APPROVAL: TUV Listed & Certified: Tests to UL61010-1 :2004 standards in addition to CAN/CSA and NFPA standards. This listing covers the entire product as an entity and not just individual components.

OA Series Standard Features

Table Top: The table top consists of 11 gauge stainless steel with a #4 satin finish. The top piece is fabricated with a 3-1/2" perimeter raised at an angle of about 12°. This flanged edge is used around the full perimeter.

Table Drain: Two drain cones lead into a large free flowing drain hole. The drain hole will have a drain cone welded in with a continuous weld.

Welds: All welds shall be a continuous TIG type utilizing only stainless steel as a filler. Any exposed welds shall be ground smooth and regrained to match the #4 satin finish.

Scissor Lift: The scissor lift is fabricated utilizing heavy-duty welded structural steel. The base frame and top frame are fabricated of three inch channel steel with a 1/4 inch thick wall for the guide members and three inch angle with 1/4 inch thick wall for the end plates. The scissor lift arm assemblies are fabricated of three inch thick heavy bar steel, welded, machined and

OA Series Optional Features

00048 NEMA 4 Washdown: Able to withstand pressure washing applications

Unit can be customized to fit your lab requirements with other additional options.

Product Description

Product No. OA100 — Rectangular

Product No. OA101 — Rectangular on Casters

Product No. OA110 — Kidney Shape

Product No. OA111 — Kidney Shape on Casters

OA100 Series Necropsy Tables

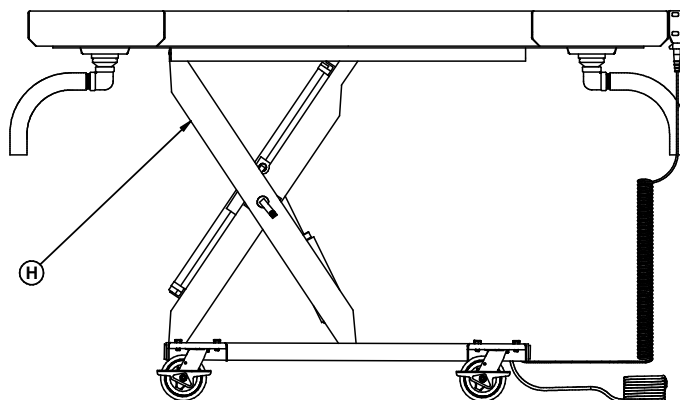
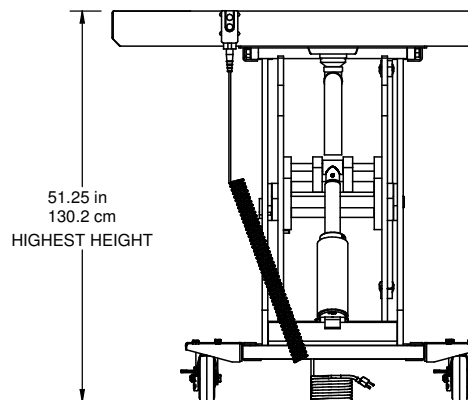
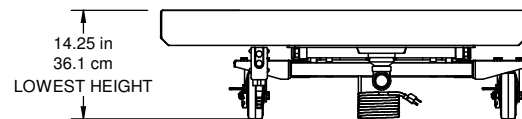
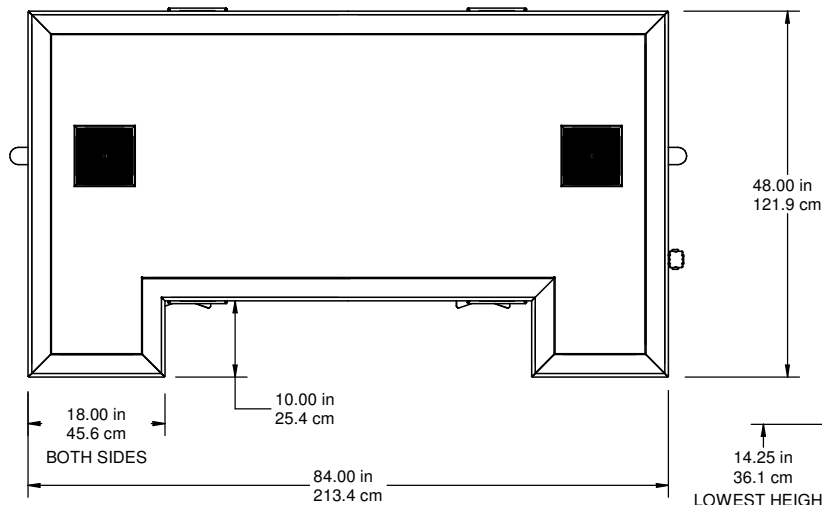
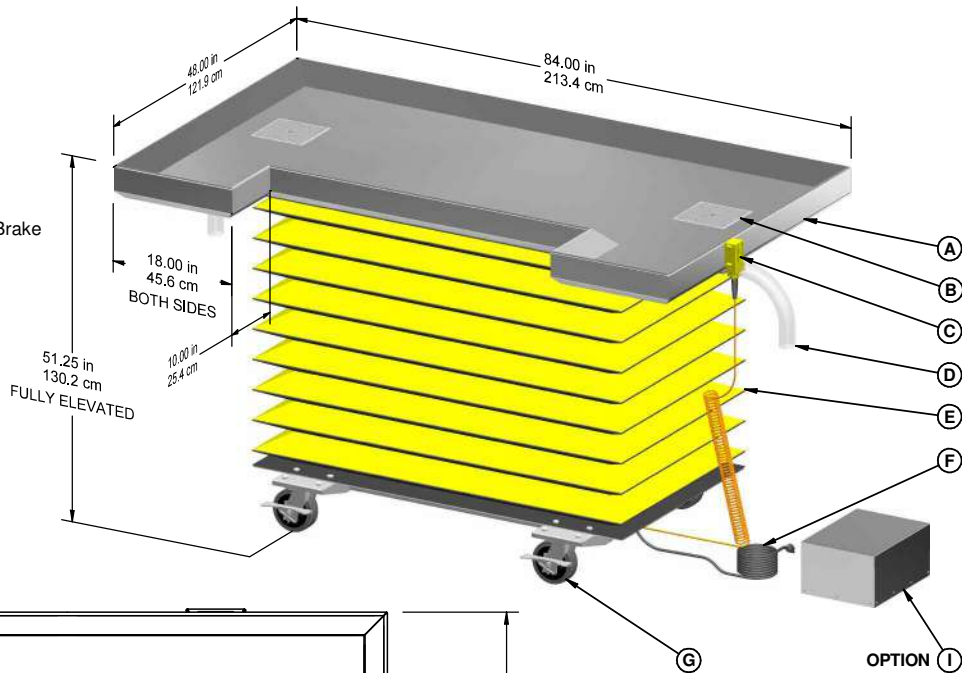
With Bellows Skirt

STANDARD FEATURES:

- A Kidney Shape Table Top
- B Removable Catch Screen with Drain Cone Basket
- C Hand Held Lift Controller
- D Flexible Drain Hose
- E Accordion Style Bellows
- F Power cord
- G 6" Caster Wheel with Swivel & Brake
- H Electro-Hydraulic Scissor Lift

OPTIONAL FEATURES:

- I OO048 NEMA 4 WASHDOWN



CE



UL 61010:2004
CAN/CSA-C22.2
NFPA 79-2002

- 1
- 2
- 3
- 4
- 5
- 6
- 7
- 8
- 9
- 10
- 11

OA200 Series Necropsy Tables

With Bellows Skirt

1

2

3

4

5

6

7

8

9

10

11



OA211 shown without bellows skirt



OA200 Series with modified top, handle and NEMA 4 remote power distribution box

The OA200 Series are large capacity elevating tables capable of supporting heavy loads. Designed for necropsy on large animals, the OA200 Series are designed so that when it initially elevates, a tilt will be incurred allowing for the mechanism that holds the animal to be locked securely in place and not roll off the table. Designed to handle a centralized load of 5,000 pounds and an offset load of 2,500 pounds. Lift has a capacity of 5,000 pounds. The OA200 Series is also provided with a drain hole with removable perforated screen to help collect debris.

The table consists of a heavy-duty stainless steel top, hydraulic scissor lift and hydraulic pump unit. Designed to fit within a pit of the room in its lowered position, the tables will be flush with the finish floor line. Available in a rectangular or kidney shape and with or without casters. The standard top is capable of raising 42". Standard table top is 48" wide and 84" long.

OA Series Standard Features

Table Top: The table top consists of 11 gauge stainless steel with a #4 satin finish. The top piece is fabricated with a 3-1/2" perimeter raised at an angle of about 12°.

Table Drain: Two drain cones lead into a large free flowing drain hole. The drain hole will have a drain cone welded in with a continuous weld.

Welds: All welds are a continuous type TIG weld utilizing only stainless steel as a filler. Any exposed welds are ground smooth and regreined to match the #4 satin finish.

Heavy-Duty Scissor Lift: The scissor lift is fabricated for heavy-duty use utilizing heavy-duty welded structural steel. The base frame and top frame are fabricated of 3" channel steel with a 1/4" thick wall for the guide members and 3" angle with 1/4" thick wall or the end plates. The scissor lift arm assemblies are fabricated of 3" thick heavy bar steel, welded, drilled and inspected for absolute conformance. All pivot points and rollers are fitted with

grease fittings and contain molybdenum disulfide grease such as Molub-Alloy No. 2. The collapsed height is 8" and the vertical travel is 42" (106.6 cm) yielding a 50" (127 cm) extended height. The scissor lift is capable of a 2500 pound offset load and 5000 pounds centrally loaded.

Hydraulics: The hydraulic system consists of a directly coupled motor and pump combination, oil reservoir, solenoid operated lowering valve and the necessary piping. The electric motor is a wash down motor capable of withstanding high pressure washdowns. The unit is completely assembled with solenoid valve, check valve, filler breather, pressure compensated flow control valve, electrical control and relief valve. The pump unit is assembled and tested at the factory.

ISO: Quality Management System in compliance with ISO 9001:2008 and applies: Design, Engineering, Manufacturing and Installation of Equipment Distribution of Supplies for Morgue, Pathology, Histology and Necropsy Applications.

APPROVAL: TUV Listed & Certified: Tests to UL61010-1 :2004 standards in addition to CAN/CSA and NFPA standards. This listing covers the entire product as an entity and not just individual components.

OA Series Optional Features

0048 NEMA 4 Washdown: Able to withstand pressure washing applications

Unit can be customized to fit your lab requirements with other additional options.

Product Description

Product No. OA200 — Rectangular, Tilting

Product No. OA201 — Rectangular, Tilting on casters

Product No. OA210 — Kidney Shape, Tilting

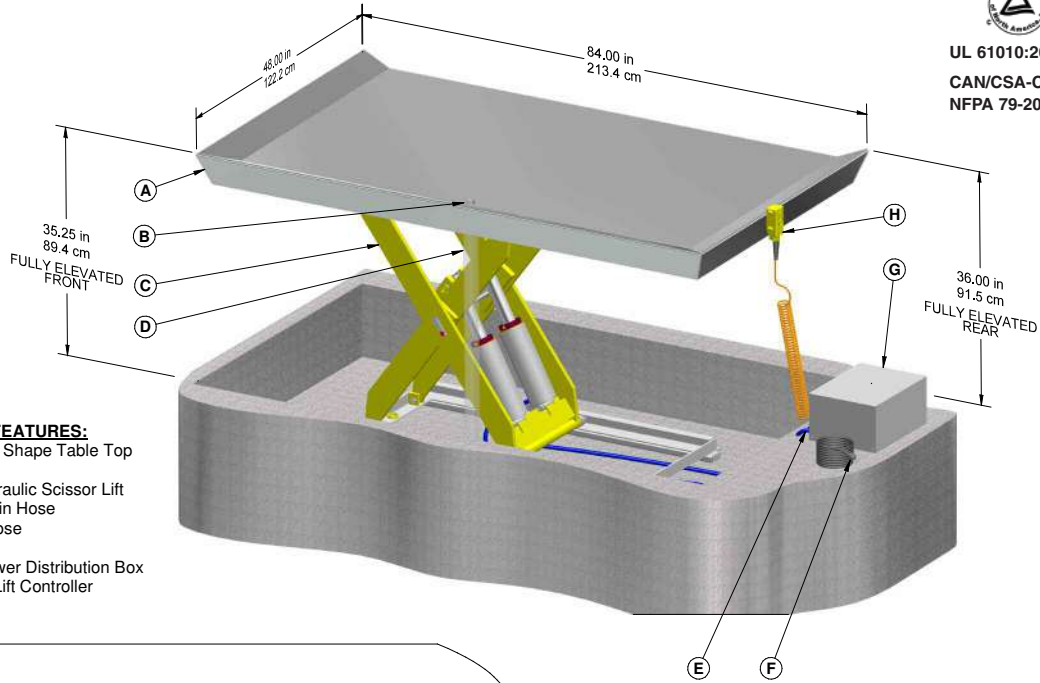
Product No. OA211 — Kidney Shape, Tilting on casters

OA200 Series Necropsy Tables

With Bellows Skirting

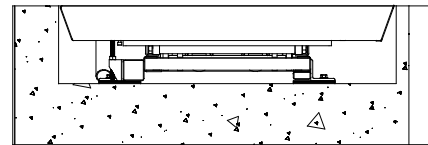
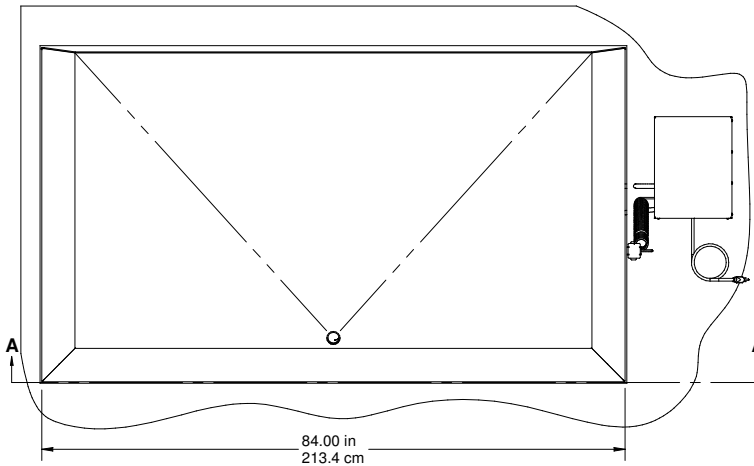


UL 61010:2004
CAN/CSA-C22.2
NFPA 79-2002

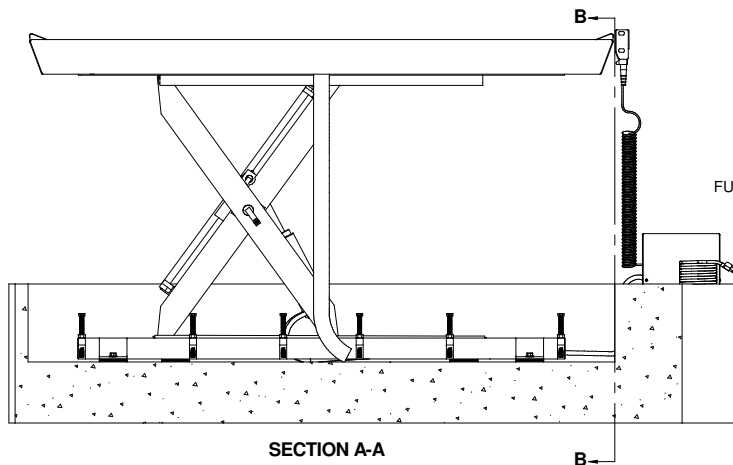


STANDARD FEATURES:

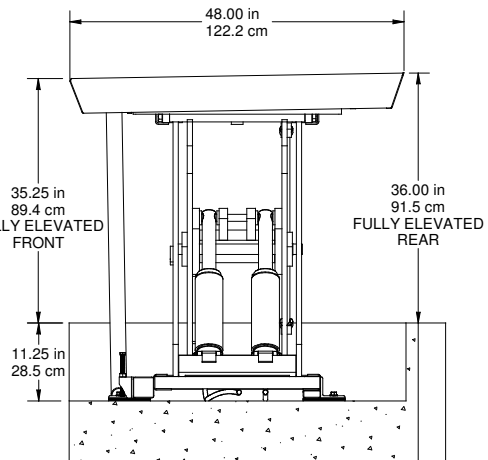
- A Rectangular Shape Table Top
- B Drain
- C Electro-Hydraulic Scissor Lift
- D Flexible Drain Hose
- E Hydraulic Hose
- F Power cord
- G Remote Power Distribution Box
- H Hand Held Lift Controller



OA200 IN THE LOWER POSITION



SECTION A-A



SECTION B-B



Necropsy Optional Features

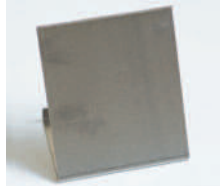
1

Listed below are several popular options available for your workstation or table. Other options are available, please check with a Mopec Representative to see what options are available for your specific workstation.

2

00004 Dictation Equipment Stand

Angled surface for easy viewing and operating of most dictation systems. Dictation stand is portable and can be placed anywhere. Constructed of stainless steel.



3

00007 Foot Pedal

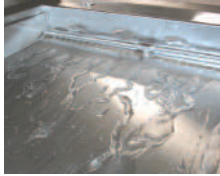
Includes a dual foot pedal H/C water control valve and swing spout faucet for hands free control. Eliminates the need for wrist blade handle with this option.



4

00008 Rinse Bar

Rinse bar fixture consists of a cold water control valve, vacuum breaker protection and stainless steel water manifold. When the water is turned on, a flood of water continuously rinses the sink well to eliminate build up of fluids within the downdraft chamber.



5

00009 Safety Splash Shield

Lexan shield on flexible arm for easy positioning provides an additional shield between you and the specimen.



6

00010 Hand Spray Rinse

Chrome plated, brass hand sprayer with soft spray head for controlled rinsing of work surface. Complete with 60" (152.4 cm) high-pressure hose for heavy-duty use. Control valve included for pressure control, along with atmospheric vacuum breaker for water protection.



7

00011 Halogen Light Magnifier

Hands free poly magnifier, with 4X magnification. Must order with either: MB016 Halogen Task Lighting - Dual, or MB022 Halogen Task Light - Single



8

00014 Video Camera Arm

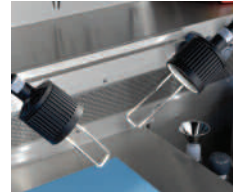
Facilitates the easy positioning of your video camera over the length of your trimming station via an articulated arm and aluminum slide extrusion. Video camera not included.



9

00015 Halogen Task Lighting – Dual

Two 20 watt halogen task lights, centered over the trimming area. Mounted overhead with 20" (50.8 cm) flexible arms allowing for easy positioning of task lights. Replacement halogen bulbs available, order BB039.



00018 Formalin Collection System

System includes: collection funnel with fine-particle tissue screen, 2.5 gallon (9.5 L) waste collection carboy with easy grip handles, piping to waste carboy, quick disconnects and safety caps for disposal or recycling. Formalin not included. Additional Fine -Particle Tissue Screens available, see BA077.



00020 Halogen Task Light Single

One 20 watt halogen light centered over the dissection area. Mounted overhead with a 20" (50.8 cm) flexible arm allowing for easy positioning of task light. Replacement halogen bulbs available, order BB039.



10

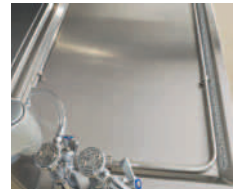
00024 Magnetic Tool Bar

Conveniently mounted tool bar organizes and stores your most commonly used instruments easily within easy reach. Instruments not included.



00025 Table Perimeter Rinse

Provides a consistent three or four sided rinse for work surface. Virtually eliminates the accumulation of debris and fluids in the dissection area. Control valve included for water flow adjustment.



00026 Scale Stand Table Mount

Table mounted scale support socket. The stand includes a support socket and a support tube allowing the scale to swing over and drain into the sink. Scale and pan not included.



00028 Replaceable Ruler Inch/Centimeter

Washable, easy to read, inch and centimeter ruler is placed on the inside lip of the trimming area. A special coating protects the scale from most laboratory chemicals.



00029 Sink Grid Plate

Constructed of stainless steel, positioned under faucet. Measures 9" L x 7" W x 4" D.



11

Necropsy Optional Features

00030 Formalin Dispensing System

Contained within the trimming station, system includes 5-1/2 gallon (20.8 L) dispensing carboy, pump and back-splash mounted valve. Indicator lights for high/low formalin liquid levels in carboy. Formalin not included.



00032 Computer CPU Bracket

Adjustable mounting bracket for your CPU, keyed to mounting plate with two pins for easy removal or installation. Includes additional water tight GFCI; located on outside panel of unit, opposite of the sink. Computer not included.



00033 LCD Flat Screen/Keyboard Adjustable Arm System

Allows easy positioning of your mounted flat screen and keyboard for greater visibility. Effortlessly reposition your display up, down, forward, and/or back; to the most comfortable interactive position for seated or standing use. Flat screen, monitor, keyboard and computer not included.



00035 Shelves and Adjustable Brackets

14" x 8" (35.5 cm x 20.3 cm) stainless steel shelf vertically adjusts to accommodate storage needs.



00036 Safety Eye Wash - Splash Mount

Splash mounted safety eyewash with gentle eye spray head, self coiling retractable hose and handpiece hanger.



00038 Gas Valve - Splash Mount 00045 Gas Valve - Deck Mount

Laboratory gas fitting with 1/4 turn on/off valve and serrated hose fitting.



00038 - splash mount style



00045 - deck mount style

00039 Air Valve - Splash Mount 00046 Air Valve - Deck Mount

Laboratory air fitting with 1/4 turn on/off valve and serrated hose fitting.



00040 Magnehelic Velocity Indicator Gauge

The magnehelic is a gauge designed to measure fan and blower pressures, and filter resistance.

00042 IV Pole

Stainless steel IV pole can be placed on any table. Pole features a dual hook and includes a holder that allows for height adjustment or removal of the pole when not in use.



00043 Extended Hand Spray Rinse

Extended spray rinse allows for easy cleaning of workstation.



00047 Type 316 Stainless

Workstation or table will be constructed of type 316 stainless steel.

00048 NEMA 4 Washdown

Able to withstand pressure washing applications.



BL800 Waste Disposal

Heavy-duty 1 HP disposal, complete with on/off switch, water solenoid, vacuum breaker.



CP001 Communication Port

Two port Ethernet receptacle allows for connection to in house network. Requires facilities network tie-in.



CP002 Communication Wire Chase

Conduit organizes network cables, eliminating clutter around your workstation



BL007 Laboratory Mixing Faucet

Dual hand/foot water control faucet includes wrist blade handles. For use with standard foot pedals

BL047 Laboratory Mixing Faucet

Dual hand/foot water control faucet includes wrist blade handles. For use with pneumatic foot pedals

SA100 Seismic Anchoring Bracket

Heavy duty vibration control mounts.

- 1
- 2
- 3
- 4
- 5
- 6
- 7
- 8
- 9
- 10
- 11

OA500 Necropsy Table

Rotating Pedestal Mount Necropsy/Dissection Table

1

2

3

4

5

6

7

8

9

10

11



Shown here without perforated grid plates - modified

The OA500 Necropsy/Dissection Table is a pedestal design that incorporates all of the features necessary to efficiently complete a necropsy. Suited for smaller work areas, the OA500 necropsy table is shorter than conventional models and rotates allowing more versatile design applications. Mopec exclusively utilizes eight stainless steel bearings for a smooth, accurate and virtually effortless 180° motion. Standard design features include Mopec's exclusive downdraft ventilation system that draws air into the center pedestal of the table.

OA500 Standard Features

Table Top: The table is fabricated of 14 gauge type 304 stainless steel with a #4 satin finish.

Hydro-Aspirator: Located on the end of the table, the aspirator has a reversing valve to clear the aspirator of any foreign matter. The aspirator is designed to drain into the sink's recessed top for collection or disposal and is completely plumbed with control valve, vacuum breaker and tubing.

Water Fixture with Swing Spout: Swing spout faucet has a vacuum breaker and a single lever hot/cold control mixing valve.

Pedestal: Table pedestal is fabricated of 11 gauge stainless steel with a #4 satin finish.

Perforated Grid Plate: Contains three grid plates constructed of 14 gauge stainless steel with a #4 satin finish.

ISO: Quality Management System in compliance with ISO 9001:2008 and applies: Design, Engineering, Manufacturing and Installation of Equipment Distribution of Supplies for Morgue, Pathology, Histology and Necropsy Applications.

APPROVAL: TUV Listed & Certified: Tests to UL61010-1 :2004 standards in addition to CAN/CSA and NFPA standards. This listing covers the entire product as an entity and not just individual components.



Table rotates 180 degrees



OA500 Optional Features

OO010 Hand Spray Rinse: Chrome plated, brass hand sprayer with soft spray head for controlled rinsing of work surface. Complete with 60" (152.4 cm) high-pressure hose for heavy-duty use. Control valve included for pressure control, along with atmospheric vacuum breaker for water protection.

OO025 Table Perimeter Rinse System: Provides a consistent, three sided rinse to work surface. Virtually eliminates the accumulation of debris and fluids in the dissection area. Control valve included for water flow adjustment.

OO026 Scale Stand: Table mounted scale support socket. The stand includes a support socket and a support tube allowing the scale to swing over and drain into the sink. Scale and pan not included.

OO047 Type 316 Stainless Steel: Table will be constructed of type 316 stainless steel.

OA500 Necropsy Table

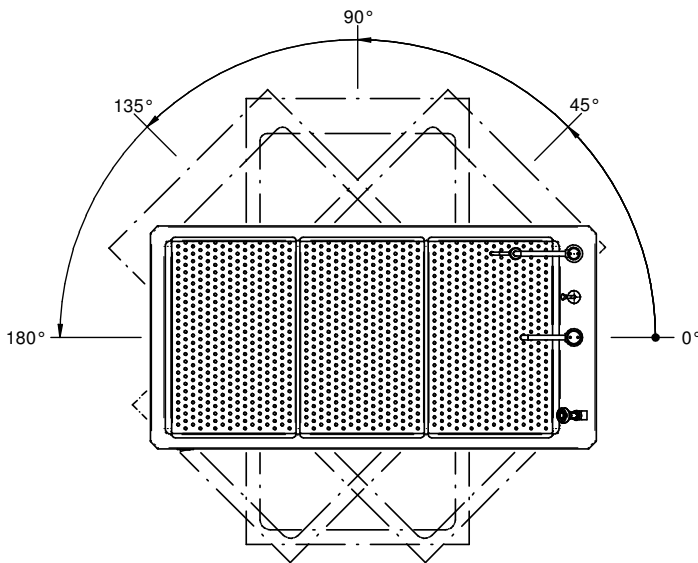
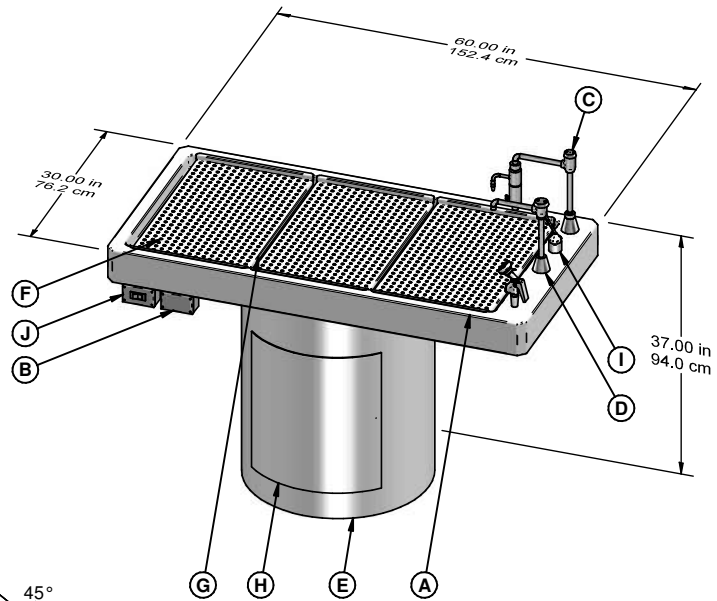
Rotating Pedestal Mount Necropsy/Dissection Table

STANDARD FEATURES

- A Table Top
- B GFCI Electrical Outlet (2)
- C Hydro Aspirator
- D Fixture w/Swing Spout
- E Rotating Pedestal
- F Removable Grid Plates (3)
- G Down Draft Ventilation System
- H Access Panel
- I Mixing Valve
- J Main Circuit Breaker Switch

OPTIONAL FEATURES

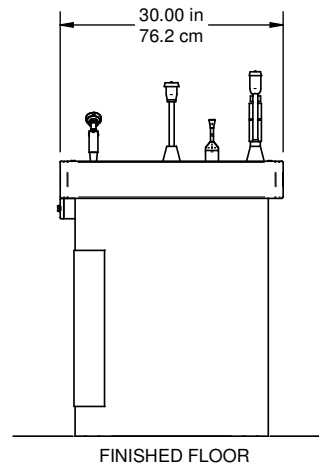
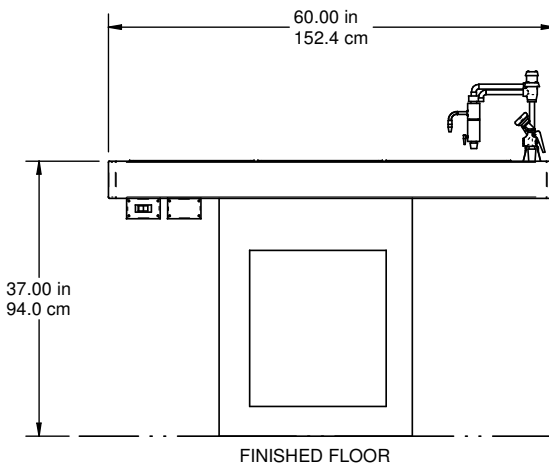
- OO010 Hand Spray Rinse
- OO025 Autopsy Table Perimeter Rinse Assembly
- OO026 Scale Stand Table Mount



UL 61010:2004

CAN/CSA-C22.2

NFPA 79-2002



OA600 Necropsy/Dissection Table

1

2

3

4

5

6

7

8

9

10

11



OA600 Necropsy Table with optional (OO010) Hand Spray Rinse



The OA600 has removable, perforated grid plates

The OA600 Necropsy Table is an economical trimming table, ideal for small and large laboratories. The OA600 has a large single compartment sink basin allowing for easy and convenient handling of large specimens and/or containers. Optional perimeter rinse and hand spray rinse features keep the workstation clean. The simple construction allows for a clean, safe and efficient necropsy. Weight capacity is 500 pounds.

OA600 Standard Features

Table Top: The table top is constructed of 14 gauge stainless steel with a #4 satin finish. The top is 6" deep and is creased toward the sink basin.

Table Frame: 1-5/8" diameter welded leg frame construction with adjustable bullet feet.

Hydro-Aspirator: Located on the end of the table, the aspirator has a reversing valve to clear the aspirator of any foreign matter. The aspirator is designed to drain into the sink basin for collection or disposal and is completely plumbed with control valve, vacuum breaker and tubing.

Work Fixture with Swing Spout: Hot/cold faucet comes equipped with a vacuum breaker and single lever control mixing valve.

Grid Plates: Four stainless steel interchangeable perforated grid plates. Each grid plate is slightly recessed to keep all fluids contained.

ISO: Quality Management System in compliance with ISO 9001:2008 and applies: Design, Engineering, Manufacturing and Installation of Equipment Distribution of Supplies for Morgue, Pathology, Histology and Necropsy Applications.

APPROVAL: TUV Listed & Certified: Tests to UL61010-1 :2004 standards in addition to CAN/CSA and NFPA standards. This listing covers the entire product as an entity and not just individual components.

OA600 Optional Features

BL800 Disposal: Heavy-duty 1 HP disposal, complete with on/off switch, water solenoid and vacuum breaker.

OO007 Foot Pedal: Includes a dual foot pedal H/C water control valve and swing spout faucet for hands free control. Wrist blade handle controls are eliminated with this option.

OO010 Hand Spray Rinse: Chrome plated, brass hand sprayer with soft spray head for controlled rinsing of work surface. Complete wit 60" (152.4 cm) high-pressure hose for heavy-duty use. Control valve included for pressure control, along with atmospheric vacuum breaker for water protection.

OO025 Table Perimeter Rinse System: Provides a consistent, three or four sided rinse to work surface. Virtually eliminates the accumulation of debris and fluids in the dissection area. Control valve included for water flow adjustment.

OO026 Scale Stand: Table mounted scale support socket. The stand includes a support socket and a support tube allowing the scale to swing over and drain into the sink. Scale and pan not included.

OO047 Type 316 Stainless Steel: Table will be constructed of type 316 stainless steel.

Unit can be customized to fit your lab requirements with other additional options.

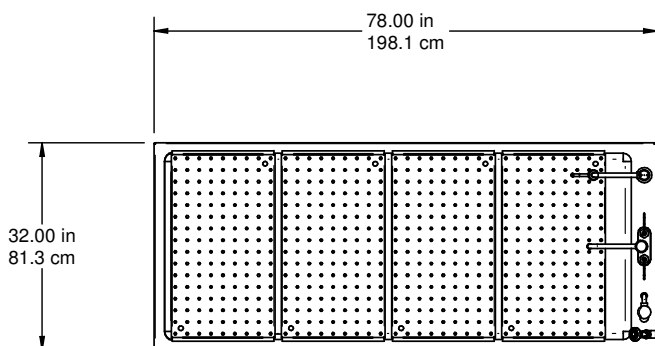
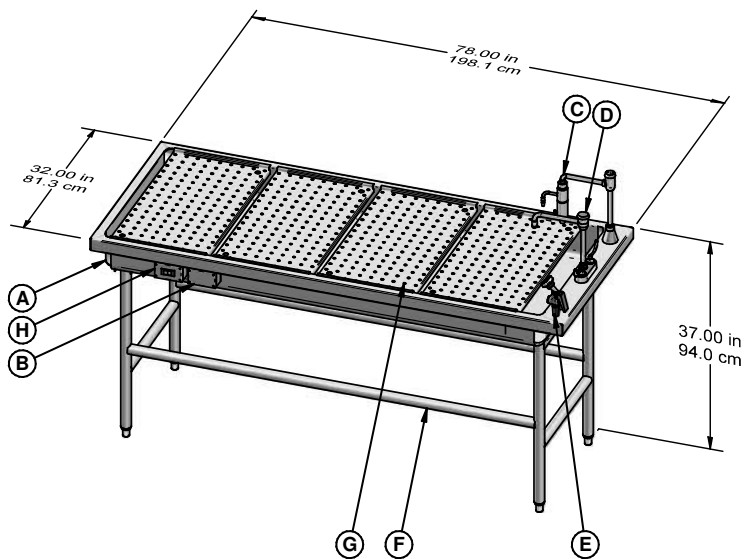
OA600 Necropsy/Dissection Table

STANDARD FEATURES

- A Table Top
- B GFCI Electrical Outlet (2)
- C Hydro Aspirator
- D Fixture w/Swing Spout
- E Hand Spray
- F Leg Frame
- G Removable Grid Plates (4)
- H Main Circuit Breaker Switch

OPTIONAL FEATURES

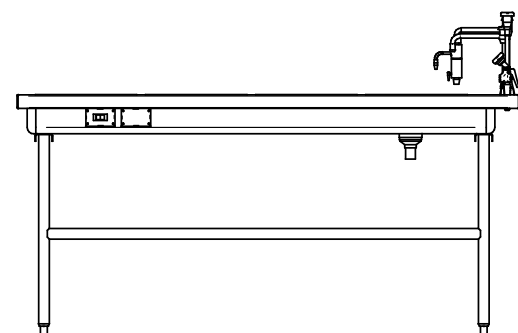
- OO007 Foot Pedal
- OO025 Table Perimeter Rinse System
- OO026 Scale Stand Table Mount
- OO028 Inch/Centimeter Scale
- BL800 1 HP Disposal



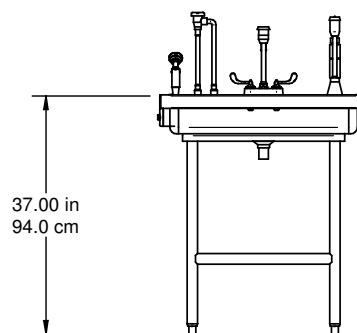
CE



UL 61010:2004
CAN/CSA-C22.2
NFPA 79-2002



FINISHED FLOOR



FINISHED FLOOR



OA700 Necropsy Table

1

2

3

4

5



OA700 modified with extra grid plates



Sink grid plate option OO029

6

Standard design features of the OA700 include Mopec's exclusive downdraft ventilation system that draws air into the center of the table, pulling the odors away from the user. The built-in baffle system allows consistent airflow from one end of the table to the other. Full sized integrally constructed table available with table flush system, the table can remain clean and sanitary.

7

OA700 Standard Features

Base & Plenum: Fabricated of 18 and 16 gauge stainless steel with a #4 satin finish.

Fixture with Swing Spout: Hot and cold water fixture with convenient wrist blade handles, gooseneck faucet and vacuum breaker fixture mounted directly on faucet.

Perforated Grid Plates: Three grid plates fabricated of 14 gauge stainless steel and are completely interchangeable.

Inner Baffling: The inner baffling is full length and completely removable for cleaning. Fabricated of 18 and 11 gauge stainless steel with a #4 satin finish.

Support Pedestal: The support pedestal is complete with access panels at each end. Designed for heavy-duty use, the support pedestals are provided with reinforced corners and a double flanged leveling frame assembly. Each pedestal is also fitted with a corner reinforcement and adjustable bolt for leveling during installation.

Hand Spray Rinse: Chrome plated, brass hand sprayer with soft spray head for controlled rinsing of work surface. Complete with 60" (152.4 cm) high-pressure hose for heavy-duty use. Control valve included for pressure control, along with atmospheric vacuum breaker for water protection.

Electrical Receptacle: Two (2 each) electrical receptacles are provided and located on each side of the pedestal. The receptacles are GFCI type with watertight cover.

ISO: Quality Management System in compliance with ISO 9001:2008 and applies: Design, Engineering, Manufacturing and Installation of Equipment Distribution of Supplies for Morgue, Pathology, Histology and Necropsy Applications.

APPROVAL: TUV Listed & Certified: Tests to UL61010-1 :2004 standards in addition to CAN/CSA and NFPA standards. This listing covers the entire product as an entity and not just individual components.

OA700 Optional Features

BL800 Disposal: Heavy-duty 1 HP disposal, complete with on/off switch, water solenoid and vacuum breaker.

OO007 Foot Pedal: Includes a dual foot pedal H/C water control valve and swing spout faucet for hands free control. Wrist blade handle controls are eliminated with this option.

OO008 Rinse Bar: Rinse bar fixture located at one end of table consists of a cold-water control valve, vacuum breaker protection and stainless steel water manifold. When the water is turned on, a flood of water continuously rinses under the grid plates which helps eliminate build up of fluids within the downdraft chamber.

OO029 Sink Grid Plate: Constructed of stainless steel, positioned under faucet on low end of unit.

OO026 Scale Stand: Table mounted scale support socket. The stand includes a support socket and a support tube allowing the scale to swing over and drain into the sink. Scale and pan not included.

OO047 Type 316 Stainless Steel: Table will be constructed of type 316 stainless steel.

Unit can be customized to fit your lab requirements with other additional options.

10

11

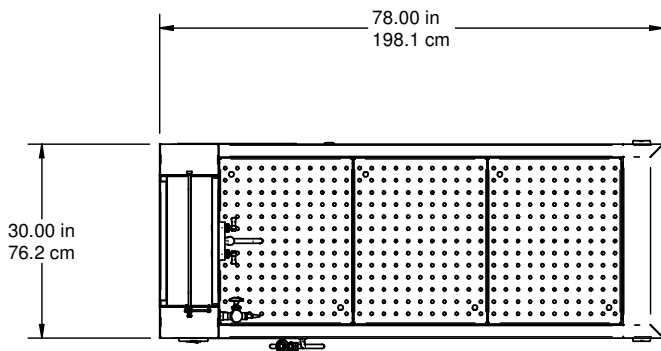
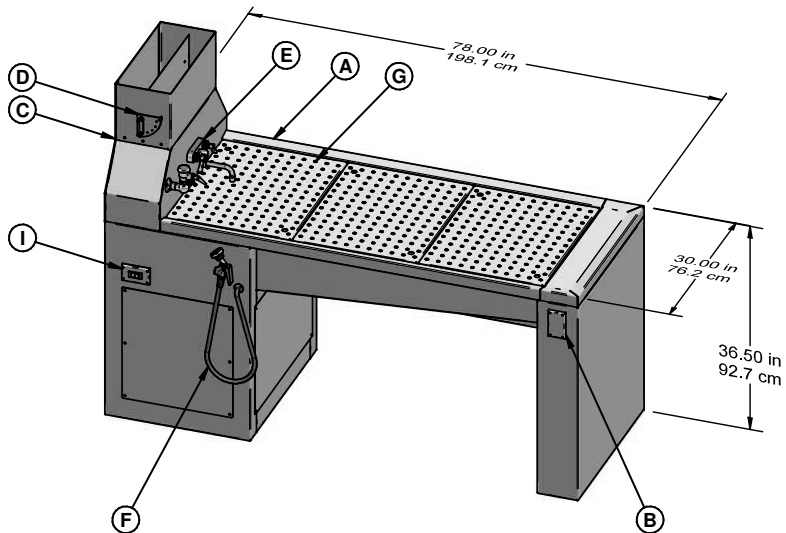
OA700 Necropsy Table

STANDARD FEATURES

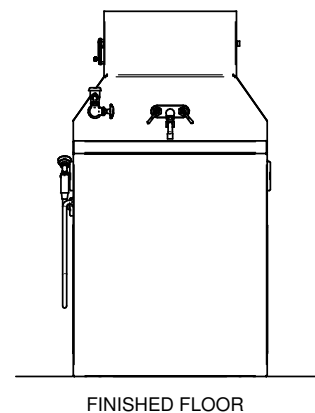
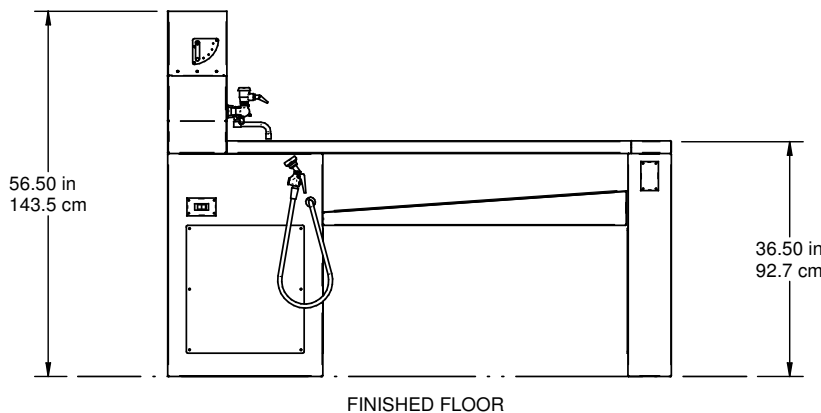
- A Table Top
- B GFCI Electrical Outlet (2)
- C Adjustable Exhaust-Flow Chamber
- D Exhaust control
- E Fixture w/Swing Spout
- F Hand Spray
- G Removable Grid Plates (3)
- H Removable Exhaust baffles (3, not shown)
- I Main Circuit Breaker Switch

OPTIONAL FEATURES

- OO007 Foot Pedal
- OO008 Rinse Bar
- OO026 Scale Stand Table Mount
- OO029 Sink Grid Plate
- BL800 1 HP Disposal



UL 61010:2004
CAN/CSA-C22.2
NFPA 79-2002



OA800 Necropsy Table

1

The OA800 Workstation as shown is ventilated with Mopec's Downdraft System. Designed to provide a safe and effective vented workstation for necropsy and trimming. The inner baffling system helps provide a consistently even Downdraft surface velocity across the entire work surface.

2

OA800 Standard Features

Sink: Integrally constructed within the table the sink is 11" L x 20" W x 10" D opposite the ventilation duct. Utilizes 14 gauge stainless steel.

3

Downdraft Ventilation System: All stainless steel construction Mopec's Downdraft Ventilation System is designed so that air is pulled down and away from the user and is consistent at any area of the work surface. The internal baffle system helps provide a means of distributing the air evenly across the work surface.

4

Perforated Grid Plates: Each of the three grid plates are stainless steel construction and are perforated. The grid plate is self-supporting and fabricated with a single flange eliminating any unseen areas that will accumulate bacteria. Finger slots are provided for easy handling. Constructed of 16 gauge stainless steel.

5

Support Pedestal: The support pedestal is complete with access door. Designed for heavy-duty use the support pedestal is provided with reinforced corners and double flanged leveling frame assembly.

6

Water Fixture with Swing Spout: At each end of the table a fixture is provided with wrist blade handles and large swing spout faucet with vacuum breaker protection.

7

Electrical Receptacle: Two GFCI protected duplex receptacles are included, completely wired and ready for use.

8

Construction: The construction is superior utilizing TIG welding on all seams and mating sections which are then ground smooth and regrained to match the #4 satin factory finish.

9

Hand Spray Rinse: Chrome plated, brass hand sprayer with soft spray head for controlled rinsing of work surface. Complete with 60" (152.4 cm) high-pressure hose for heavy-duty use. Control valve included for pressure control, along with atmospheric vacuum breaker for water protection.

10

ISO: Quality Management System in compliance with ISO 9001:2008 and applies: Design, Engineering, Manufacturing and Installation of Equipment Distribution of Supplies for Morgue, Pathology, Histology and Necropsy Applications.

11

APPROVAL: TUV Listed & Certified: Tests to UL61010-1 :2004 standards in addition to CAN/CSA and NFPA standards. This listing covers the entire product as an entity and not just individual components.

OA800 Optional Features

OO007 Foot Pedal: Includes a dual foot pedal H/C water control valve and swing spout faucet for hands free control. Wrist blade handle controls are eliminated with this option.



Shown with single round duct and optional Dissection Surgical Light (BB138)

OO008 Rinse Bar: Rinse bar fixture located at one end of table consists of a cold-water control valve, vacuum breaker protection and stainless steel water manifold. When the water is turned on, a flood of water continuously rinses under the grid plates which helps eliminate build up of fluids within the downdraft chamber.

OO026 Scale Stand: Table mounted scale support socket. The stand includes a support socket and a support tube allowing the scale to swing over and drain into the sink. Scale and pan not included.

OO029 Sink Grid Plate: Constructed of stainless steel, positioned under faucet on low end of unit.

OO047 Type 316 Stainless Steel: Table will be constructed of type 316 stainless steel.

BL800 Disposal: Heavy-duty 1 HP disposal, complete with on/off switch, water solenoid, and vacuum breaker.

Laboratory Dissecting Lights: Many styles available, see Autopsy Accessories in catalog.

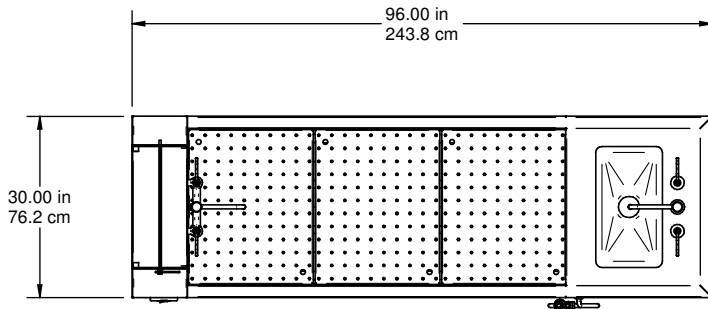
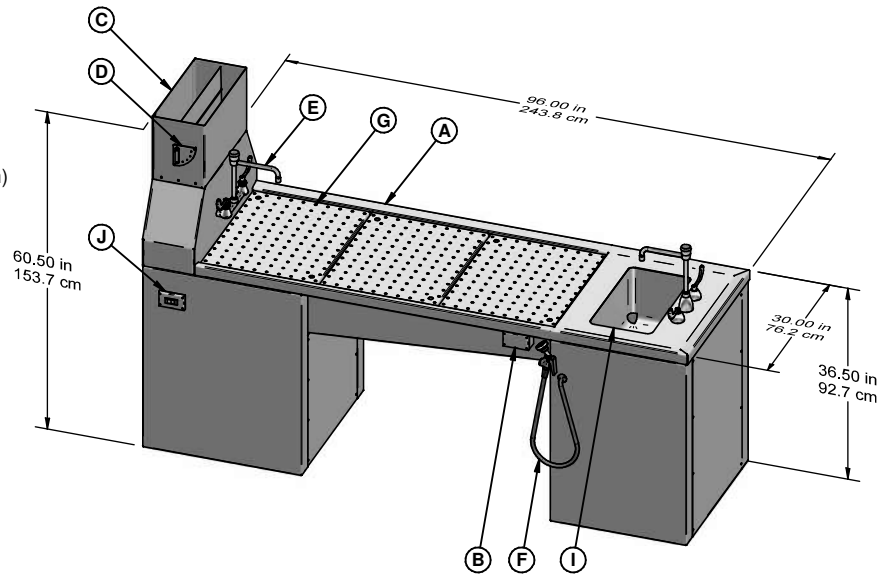
OA800 Necropsy Table

STANDARD FEATURES

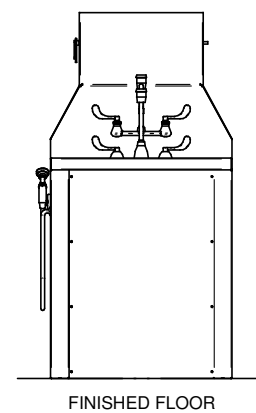
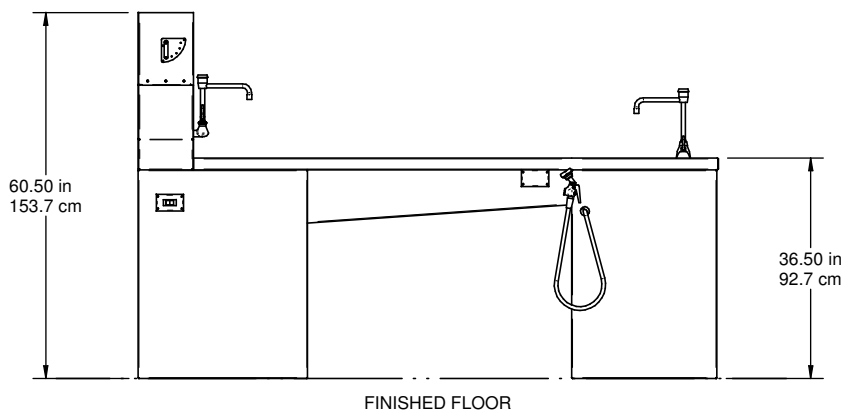
- A Table Top
- B GFCI Electrical Outlet (2)
- C Adjustable Exhaust-Flow Chamber
- D Exhaust control
- E Fixture w/Swing Spout (2)
- F Hand Spray
- G Removable Grid Plates (3)
- H Removable Exhaust baffles (3, not shown)
- I Sink – 20" x 11" x 10"
- J Main Circuit Breaker Switch

OPTIONAL FEATURES

- OO007 Foot Pedal
- OO008 Rinse Bar
- OO026 Scale Stand Table Mount
- OO029 Sink Grid Plate
- BL800 1 HP Disposal



UL 61010:2004
CAN/CSA-C22.2
NFPA 79-2002



OA900 Elevating Necropsy Table

1

2

3

4

5

6

7

8

9

10

11



Modified OA900 shown with optional sink grid plate and 100" long. Standard length = 78 inches long.

The OA900 Workstation as shown is ventilated with Mopec's Downdraft System. The table elevates with a simple push of a switch. The table is designed to provide a safe and effective vented workstation for necropsy and trimming. The inner baffling system helps provide a consistently even downdraft surface velocity across the entire work surface. Available with a table flush system, the Mopec OA900 Series Necropsy Table offers a safe, efficient and sanitary work surface.

OA900 Standard Features

Elevating Mechanism: The table elevates using an electro-mechanical lifting device. The OA900 elevates from 32" (81.2 cm) to 40" (101.6 cm) and is capable of lifting up to 700 pounds.

Downdraft: All stainless steel construction Mopec's Downdraft Ventilation System is designed so that air is pulled down and away from the user and is consistent at any area of the work surface. The internal baffle system helps provide a means of distributing the air evenly across the work surface.

Perforated Grid Plates: Each of the three grid plates are all stainless steel construction and perforated. The grid plate is self-supporting and fabricated with a single flange, eliminating any unseen areas that will accumulate bacteria. Finger slots are provided for easy handling.

Support Pedestal: The support pedestal is complete with access panels at each end. Designed for heavy-duty use, the support pedestals are provided with reinforced corners and a double flanged leveling frame assembly. Each pedestal is also fitted with a corner reinforcement and adjustable bolt for leveling during installation.

Construction: The construction is superior utilizing TIG welding on all seams and mating sections, which are then ground smooth and regrained to match the #4 satin factory finish. All internal plumbing and electrical lines are factory installed and tested.



Elevated 40 inches



Lowered 32 inches

Water Fixture with Swing Spout: At one end of the table is a hot/cold fixture. The fixture is provided with wrist blade handles and a large swing spout faucet with vacuum breaker protection.

Electrical Receptacle: Two GFCI protected duplex receptacles are included, completely wired and ready for use.

Hand Spray Rinse: Chrome plated, brass hand sprayer with soft spray head for controlled rinsing of work surface.

ISO: Quality Management System in compliance with ISO 9001:2008 and applies: Design, Engineering, Manufacturing and Installation of Equipment Distribution of Supplies for Morgue, Pathology, Histology and Necropsy Applications.

APPROVAL: TUV Listed & Certified: Tests to UL61010-1 :2004 standards in addition to CAN/CSA and NFPA standards. This listing covers the entire product as an entity and not just individual components.

OA900 Optional Features

0007 Foot Pedal: Includes a dual foot pedal H/C water control valve and swing spout faucet for hands free control. Wrist blade handle controls are eliminated with this option.

0008 Rinse Bar: Rinse bar fixture located at one end of table consists of a cold-water control valve, vacuum breaker protection and stainless steel water manifold. When the water is turned on, a flood of water continuously rinses under the grid plates which helps eliminate build up of fluids within the downdraft chamber.

0026 Scale Stand: Table mounted scale support socket. The stand includes a support socket and a support tube allowing the scale to swing over and drain into the sink. Scale and pan not included

0047 Type 316 Stainless Steel: Table will be constructed of type 316 stainless steel.

BL800 Disposal: Heavy-duty 1 HP disposal, complete with on/off switch, water solenoid, and vacuum breaker.

Unit can be customized to fit your lab requirements with other additional options.

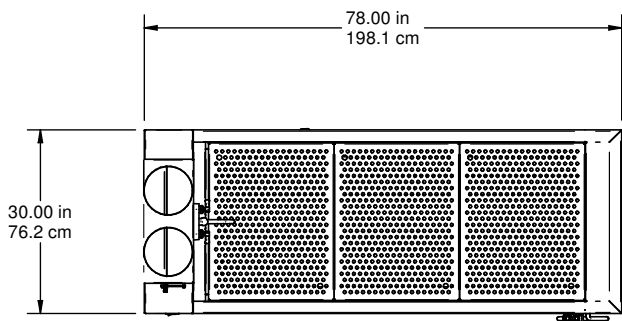
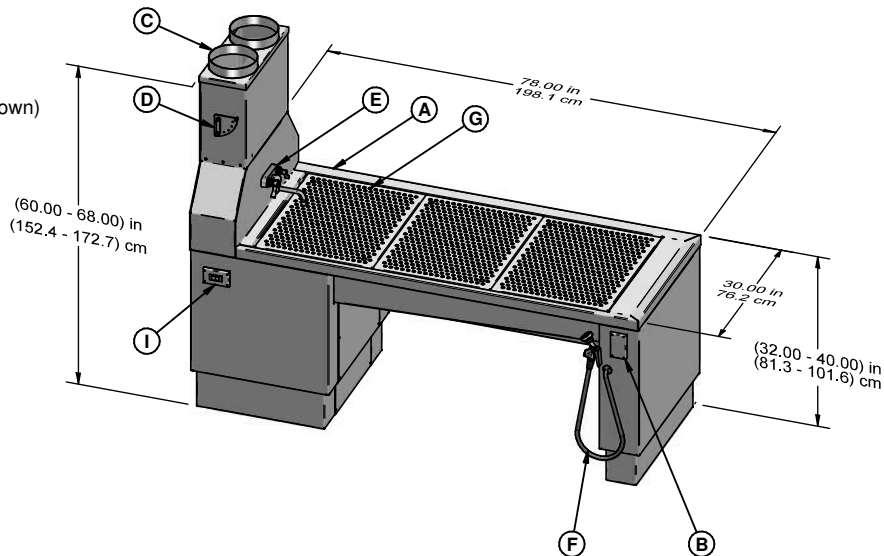
OA900 Elevating Necropsy Table

STANDARD FEATURES

- A Table Top
- B GFCI Electrical Outlet (2)
- C Adjustable Exhaust-Flow Chamber
- D Exhaust control
- E Fixture w/Swing Spout
- F Hand Spray
- G Removable Grid Plates (3)
- H Removable Exhaust baffles (3, not shown)
- I Main Circuit Breaker Switch

OPTIONAL FEATURES

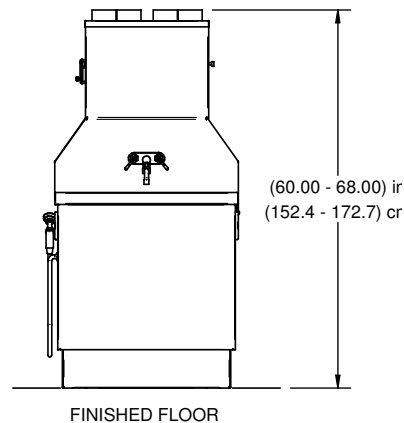
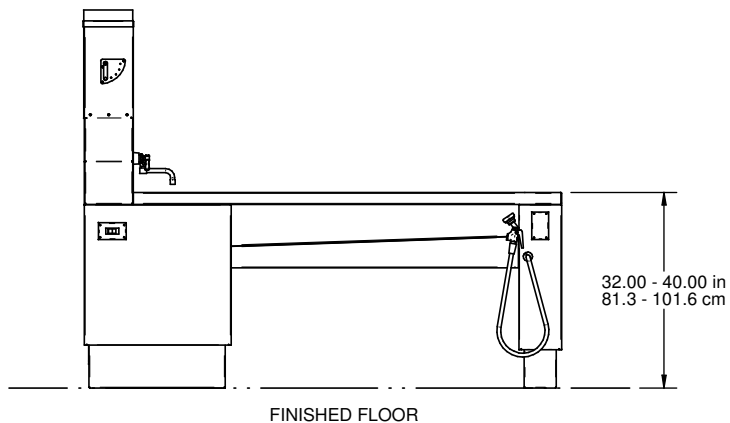
- OO007 Foot Pedal
- OO008 Rinse Bar
- OO026 Scale Stand Table Mount
- OO029 Sink Grid Plate
- BL800 1 HP Disposal



CE



UL 61010:2004
CAN/CSA-C22.2
NFPA 79-2002



OG Series Trimming Station

OG100 Recirculating Unit

OG150 In House Ventilation

1

2

3

4

5

6

7

8

9

10

11



OG100 Countertop

Dualdraft Workstation

OG100 is a recirculating unit. Please specify filter option – either BF007 or BF008.

Compact and Versatile Design

Recommended for smaller labs that need a single workstation to accommodate small dissection and trimming procedures. The compact workstation provides a surprisingly large work area and is ideal for trimming, small surgical procedures and staining.

Dualdraft

Equipped with Mopec's Dualdraft system which safely and effectively removes harmful toxic fumes—even when the work area is blocked by trimming boards or instruments.

Filtering OG100

The powerful self-contained fans evacuate all harmful formaldehyde fumes into the internal filtering system. Blower motors have a variable speed adjustment dial for adjusting the air flow to the desired rate. Front access replacement filters are easily changed.

Select from your choice of two (2) filter media for the OG100 (Please specify when ordering your workstation)

Fine Particle Activated Charcoal Media
Product No. BF008

Potassium Permanganate
Product No. BF007

Compact and Versatile Design

Recommended for smaller labs that need a single workstation to accommodate small dissection and trimming procedures. The compact workstation provides a surprisingly large work area and is ideal for trimming, small surgical procedures and staining.

Large, Lighted Work Area

Compact, yet versatile, the OG Series features a surprisingly large 36" L x 14" W (91 cm x 35.5 cm) work area and features a grid plate and a 24" fluorescent light. The pilot lighted on/off switch is located on the back panel for accessibility.

Storage Shelf

The top shelf of the workstation has a 36" L x 12" W (91 cm x 30 cm) area for placement of specimen containers.

All Stainless Steel

Frame, work surface and filtering areas are manufactured using stainless steel with a #4 satin finish.

Easy Installation

Unit is supplied with an eight foot (243.84 cm) hospital grade line cord.

Size

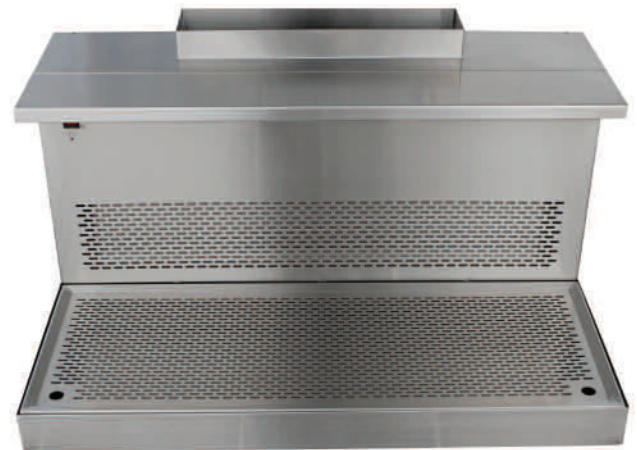
Dimensions: 36" L x 21" D x 19" H
(91 cm x 53 cm x 48.2 cm)

OG Series Standard Features

- Light:** 24" Standard fluorescent bulb with pilot lighted on/off switch
- Down Vent Grill:** Stainless steel exhaust grill extending along the entire length of the workstation
- Blowers:** Dual exhaust blowers with on/off switch
- Filters:** 14" L x 7" W x 1" (35 cm x 183 cm x 2.5 cm)

OG150 Countertop Dualdraft Workstation

BF450 requires no filter as it is an in-house ventilation unit and connects to facility ventilation.



ISO: Quality Management System in compliance with ISO 9001:2008 and applies: Design, Engineering, Manufacturing and Installation of Equipment Distribution of Supplies for Morgue, Pathology, Histology and Necropsy Applications.

APPROVAL: TUV Listed & Certified: Tests to UL61010-1 :2004 standards in addition to CAN/CSA and NFPA standards. This listing covers the entire product as an entity and not just individual components.

OG200 Trimming Station



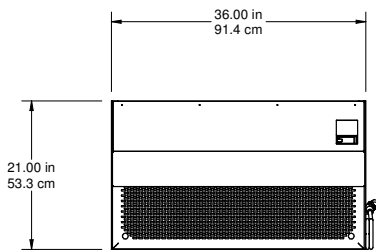
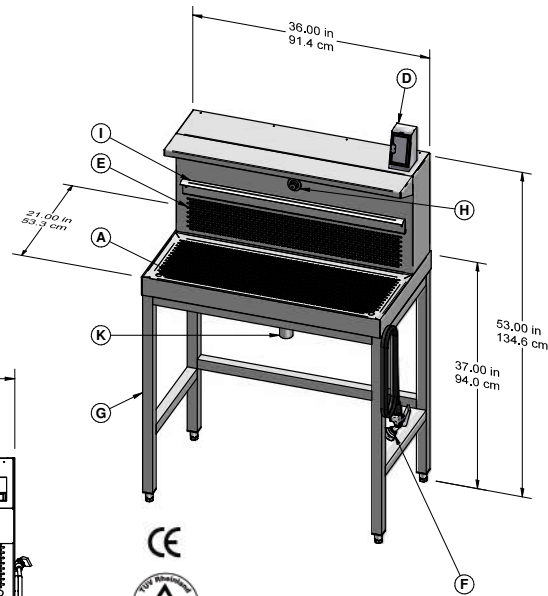
The OG200 has all the standard features as the OG100 but with a sturdy stainless steel leg frame. The OG200 is 36" L x 21" D x 53" H with a 37" high work area and features Dualdraft ventilation that removes harmful fumes. Dual exhaust blowers with on/off switch. Filters are 14" L x 7" W x 1" (35 cm x 183 cm x 2.5 cm).

ISO: Quality Management System in compliance with ISO 9001:2008 and applies: Design, Engineering, Manufacturing and Installation of Equipment Distribution of Supplies for Morgue, Pathology, Histology and Necropsy Applications.

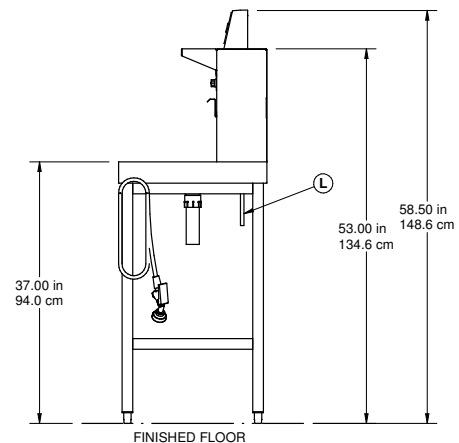
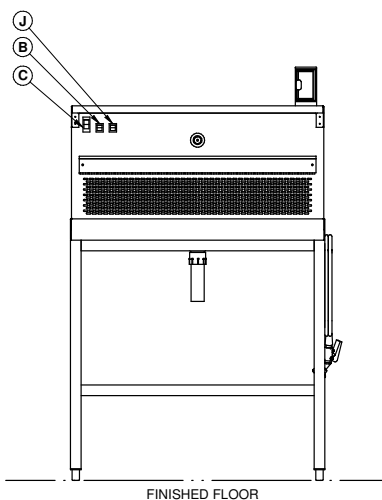
APPROVAL: TUV Listed & Certified: Tests to UL61010-1 :2004 standards in addition to CAN/CSA and NFPA standards. This listing covers the entire product as an entity and not just individual components.

STANDARD FEATURES

- A Perforated Downdraft Grid Plate
- B Circuit Breaker Switch
- C Fluorescent Light with On/Off Switch
- D GFCI Outlet
- E Perforated Back Vent Grill
- F Hand Spray/Rinse Hose
- G Leg Frame
- H Fan Speed Control
- I Filter Caddy
- J Fan On/Off Switch
- K Drain Pipe
- L Cold Water Inlet



UL 61010:2004
CAN/CSA-C22.2
NFPA 79-2002



OG250 Trimming Station

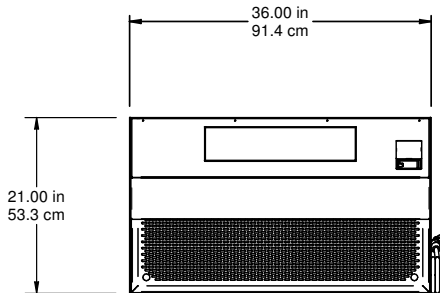
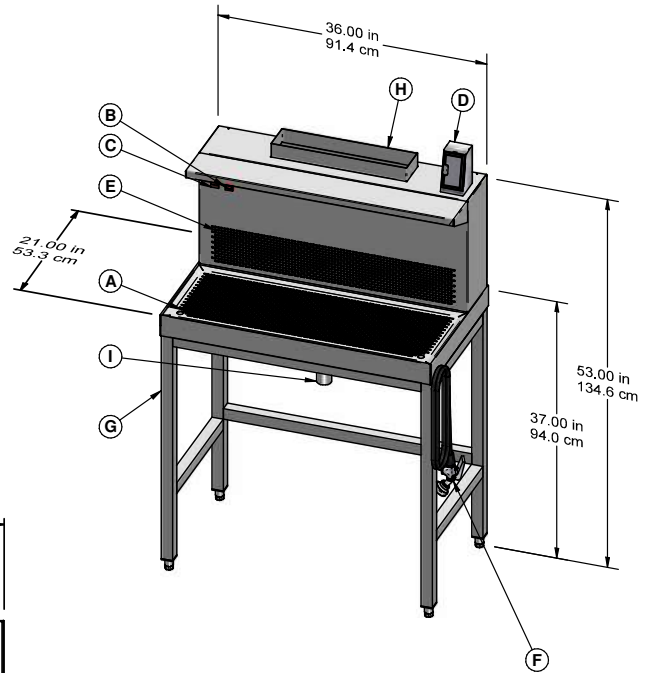
This is the same unit as the OG200 but with in-house ventilation. This unit incorporates many of the features of the OG200 while adding new ones for increased functionality. These features include a sturdy stainless steel leg frame, a top mounted, watertight GFCI duplex receptacle box and hand spray rinse. Dimensions: 36" L x 21"D x 53"H (91 cm x 53 cm x 134.6 cm).

ISO: Quality Management System in compliance with ISO 9001:2008 and applies: Design, Engineering, Manufacturing and Installation of Equipment Distribution of Supplies for Morgue, Pathology, Histology and Necropsy Applications.

APPROVAL: TUV Listed & Certified: Tests to UL61010-1 :2004 standards in addition to CAN/CSA and NFPA standards. This listing covers the entire product as an entity and not just individual components.

STANDARD FEATURES

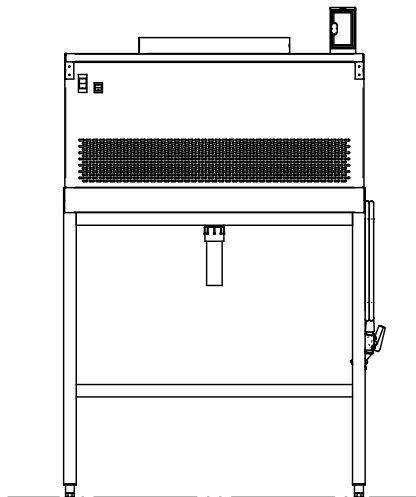
- A Perforated Downdraft Grid Plate
- B Circuit Breaker Switch
- C Fluorescent Light with On/Off Switch
- D GFCI Outlet
- E Perforated Back Vent Grill
- F Hand Spray/Rinse Hose
- G Leg Frame
- H Vent Tie-in
- I Drain Pipe
- J Cold Water Inlet



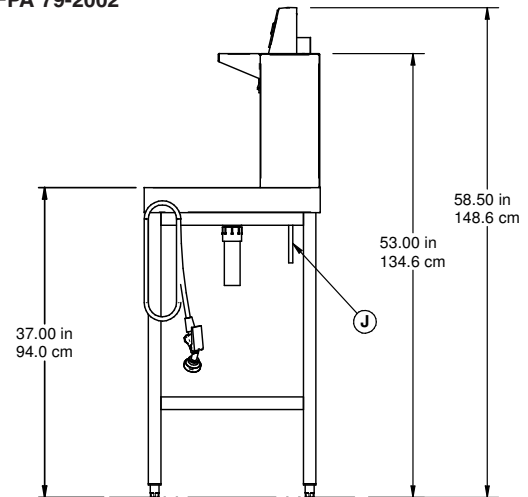
UL 61010:2004

CAN/CSA-C22.2

NFPA 79-2002



FINISHED FLOOR



FINISHED FLOOR

1

2

3

4

5

6

7

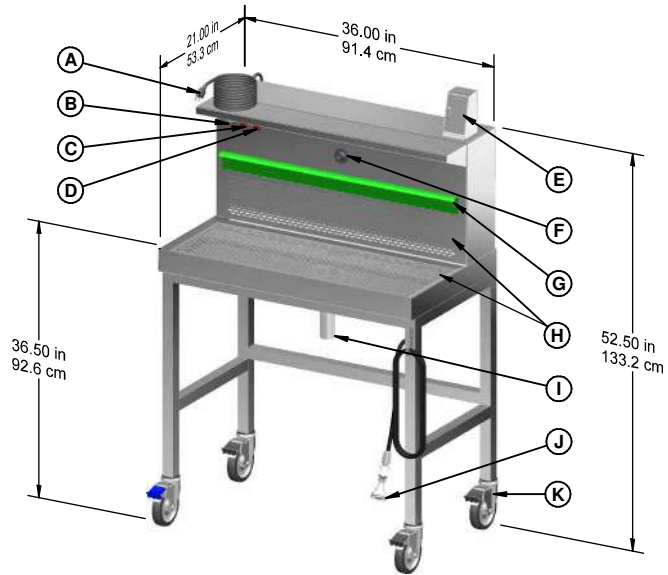
8

9

10

11

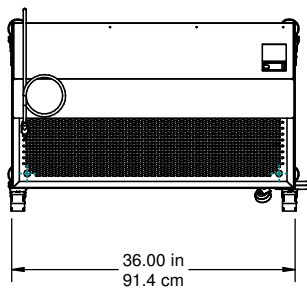
OG510 Portable Workstation



ISO: Quality Management System in compliance with ISO 9001:2008 and applies: Design, Engineering, Manufacturing and Installation of Equipment Distribution of Supplies for Morgue, Pathology, Histology and Necropsy Applications.

APPROVAL: TUV Listed & Certified: Tests to UL61010-1 :2004 standards in addition to CAN/CSA and NFPA standards. This listing covers the entire product as an entity and not just individual components.

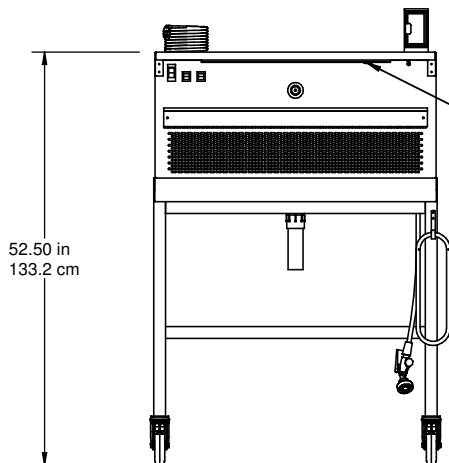
TOP VIEW



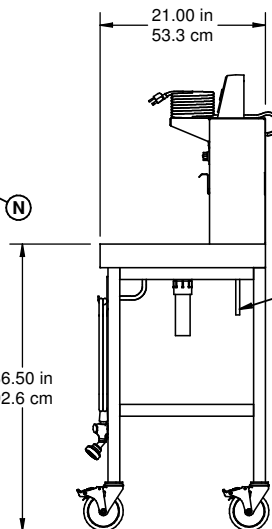
UL 61010:2004
CAN/CSA-C22.2
NFPA 79-2002

STANDARD FEATURES:

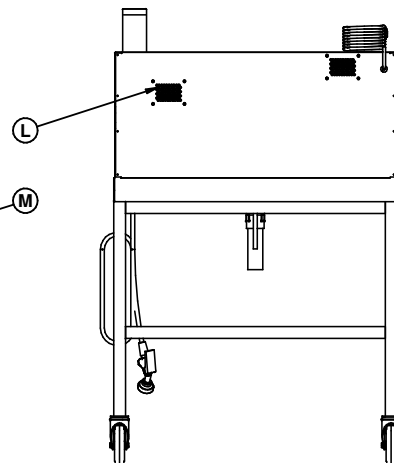
- A Power Cord
- B Master ON/OFF Switch
- C Blower System ON/OFF Switch
- D Fluorescent Light ON/OFF Switch
- E GFCI Outlet
- F Variable Speed Blower Control
- G Filter Access Door
- H Perforated Down Vent Grills
- I Drain Pipe
- J Hand Spray Rinse
- K Casters with Wheel Brake – Swivel Lock
- L Perforated Back Vent
- M Cold Water Inlet
- N Fluorescent Light



FRONT VIEW



SIDE VIEW



BACK VIEW



OG900 Dualdraft Trimming Table

1

2

3

4

5

6

7

8

9

10

11



Board and gridplate are easily removed to reveal a large sink



Integrated 10" x 20" cutting board

OG900 Standard Features:

The OG900 workstation is equipped with Mopec's dualdraft system that effectively removes harmful toxic fumes.

Large, Lighted Work Area

Compact, yet versatile, the OG900 features a large 18" W x 30" L (45.7 cm x 76.2 cm) work area and grid plates. The work area has an illuminated 24" fluorescent light with a top shelf for supplies. The pilot lighted on/off switch is located on the back panel for accessibility.

Frame

Fabricated of 1-1/2" square tubing, type 304 stainless steel with a #4 satin finish. Full weld joints.

Cutting Board

Integrated 20" x 10" (50.8 cm x 25.4 cm) cutting board

Sink Spray

Fabricated of a heavy-duty brass chrome plated hand held fixture with high pressure hose.

ISO: Quality Management System in compliance with ISO 9001:2008 and applies: Design, Engineering, Manufacturing and Installation of Equipment Distribution of Supplies for Morgue, Pathology, Histology and Necropsy Applications.

APPROVAL: TUV Listed & Certified: Tests to UL61010-1 :2004 standards in addition to CAN/CSA and NFPA standards. This listing covers the entire product as an entity and not just individual components.

OG900 Series Features:

Housing: Type 304 stainless steel with a #4 satin finish

Light: 24" Standard fluorescent bulb w/ pilot lighted on/off switch

Work Area: 18" x 30" (45.7 cm x 76.2 cm)

Electrical: 120Volt/60Hz/1Ph

OG900 Optional Features

00018 Formalin Collection System: System includes collection funnel with fine particle screen, 2.5 gallon (9.5L) waste collection carboy with easy grip handles, piping to waste carboy, quick disconnects and safety caps for disposal or recycling of formalin. Formalin not included.

U0001 Formalin Dispensing System: Includes pump and deck mounted valve. Formalin is dispensed from the cubitainer to the fixture. Does not include the formalin collection system or formalin.

00047 Type 316 Stainless Steel: Table will be constructed of type 316 stainless steel.

BA077 Funnel with Screen: Used for formalin collection systems. Constructed of stainless steel and includes a wire mesh screen.

Funnel dimensions: 5" O.D. x 5-3/8" H (127 mm x 136.5 mm).

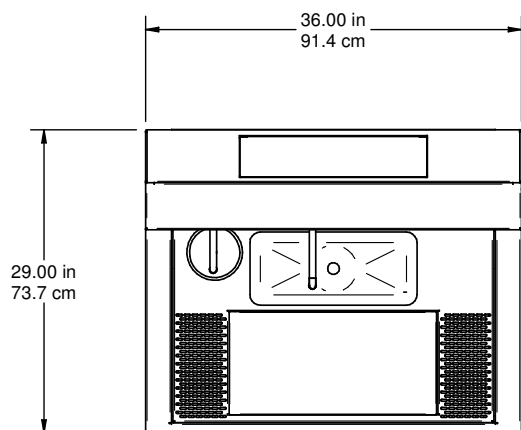
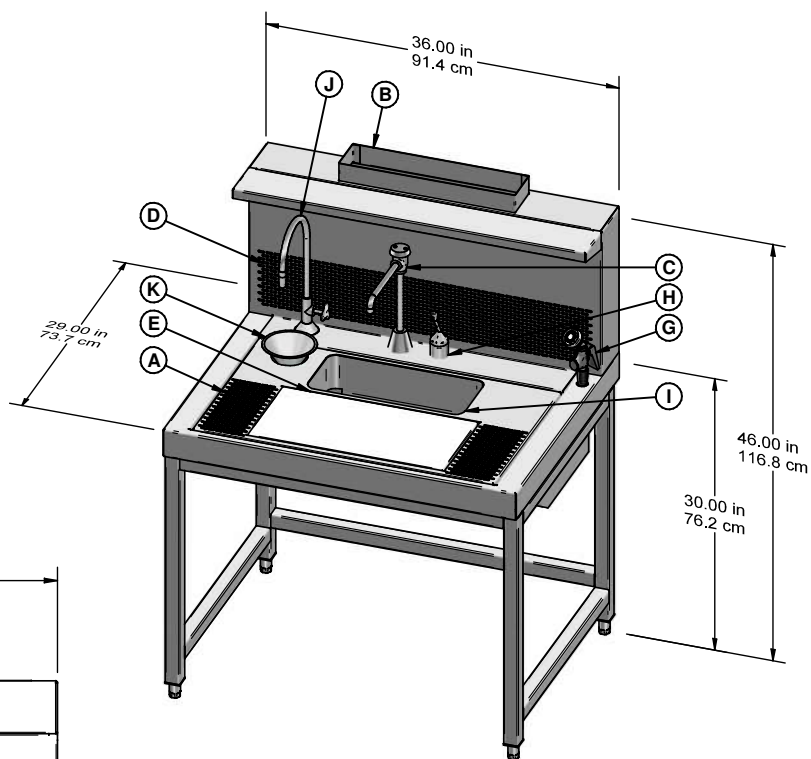
OG900 Dualdraft Trimming Table

STANDARD FEATURES

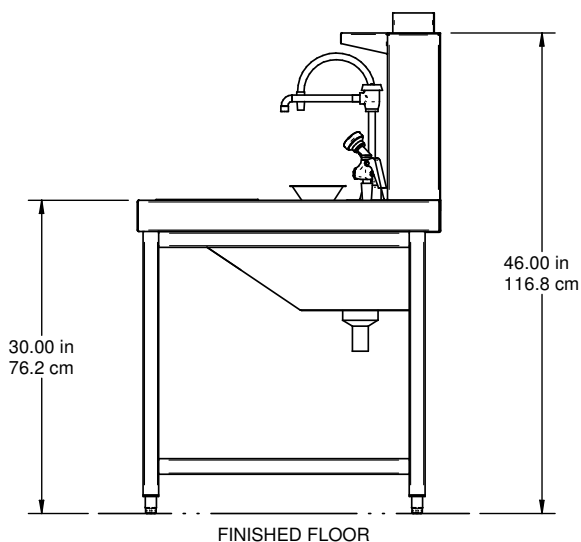
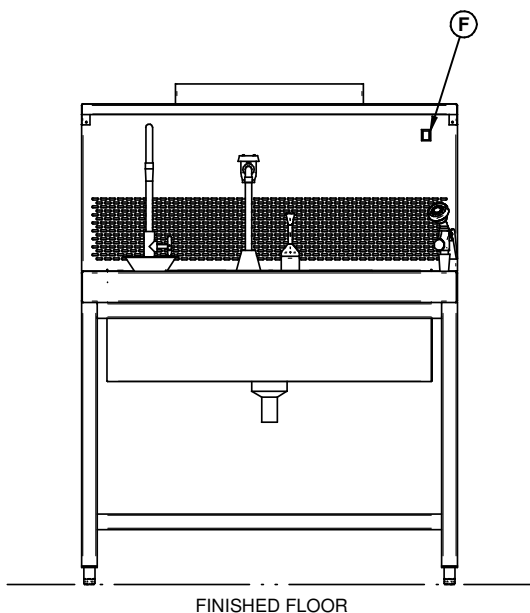
- A Vented/Removable Work Surface
- B Exhaust Vent
- C Fixture w/Swing Spout
- D Perforated Back Vent Grill
- E Inset Dissection Board
- F Fluorescent Light with On/Off Switch
- G Sink Spray
- H Mixing Valve
- I Sink – 16" x 7" x 5"

OPTIONAL FEATURES

- J UO001 Formalin Dispensing Fixture
- K OO018 Formalin Collection System



UL 61010:2004
CAN/CSA-C22.2
NFPA 79-2002



1

2

3

4

5

6

7

8

9

10

11

OC200 Elevating Necropsy Table

1

2

3

4

5

6

7

8

9

10

11



Meets ADA Requirement

The OC200 necropsy table is a pedestal style table that incorporates an elevating mechanism within the pedestal, capable of lifting and lowering 8". Maximum capacity of 700 pounds. A standard feature of the OC200 elevating table is Mopec's Downdraft Ventilation System, which helps ventilate during a necropsy.

A hydro-aspirator is conveniently located near the sink basin for ease in collection and/or disposal of fluids. Electrical receptacles are provided on both sides of the table. A hot and cold water faucet is provided with a single lever control and a vacuum breaker to safeguard the facility water supply. A deck mounted sink spray with a high pressure hose allows complete rinsing with the press of a single lever. The necropsy table has an integrally constructed large sink and is creased toward the center for complete drainage.

OC200 Standard Features

Table Top: The table top is fabricated of 14 gauge stainless steel with a #4 satin finish with built in large sink on one end.

Electrical: Two GFCI electrical receptacles are positioned on each side of the pedestal.

Integral Sink: Integral sink to front panel construction eliminates sharp eaves and ledges where bacteria can accumulate. All welded, seamless construction provides durability.

Hydro-Aspirator: Hydro-aspirator is located on the end of the table near the sink. The aspirator has a reversing valve to clear the aspirator of any foreign matter. The aspirator is designed to drain into the sink end for collection or disposal and is completely plumbed with control valve, vacuum breaker and tubing.

Fixture with Swing Spout: Swing spout faucet has a vacuum breaker and single lever hot/cold handle.

Elevation: The elevating pedestal is a non-racking heavy-duty frame construction. Nylon slides with oilite bronze bushings.

Hand Spray Rinse: Chrome plated, brass hand sprayer with soft spray head for controlled rinsing of work surface. Complete with 60"

(152.4 cm) high-pressure hose for heavy-duty use. Control valve included for pressure control, along with atmospheric vacuum breaker for water protection. Sink spray is deck mounted

Pedestal Assembly: Table pedestal is fabricated of 18 gauge stainless steel with a #4 satin finish. The pedestal consists of two main assemblies: An Electro-mechanical Actuator and an Exterior Pedestal Housing. The elevating pedestal is capable of lifting and lowering 8" via an electro-mechanical actuator, which is a much quieter and more sanitary elevating mechanism. Maximum capacity is 700 pounds.

Grid Plates: Grid plates are recessed 1/2" and supported on the table edge without pins. Four independent grid plates are perforated and removable.

ISO: Quality Management System in compliance with ISO 9001:2008 and applies: Design, Engineering, Manufacturing and Installation of Equipment Distribution of Supplies for Morgue, Pathology, Histology and Necropsy Applications.

APPROVAL: TUV Listed & Certified: Tests to UL61010-1 :2004 standards in addition to CAN/CSA and NFPA standards. This listing covers the entire product as an entity and not just individual components.

OC200 Optional Features

BL800 Disposal: Heavy-duty 1 HP disposal, complete with on/off switch, water solenoid, and vacuum breaker.

OO026 Scale Stand: Table mounted scale support socket. The stand includes a support socket and a support tube allowing the scale to swing over and drain into the sink. Scale and pan not included

OO025 Perimeter Rinse: Full perimeter rinse. Control valve provided for water flow adjustment.

OO047 Type 316 Stainless Steel: Table will be constructed of type 316 stainless steel.

Unit can be customized to fit your lab requirements with other additional options.

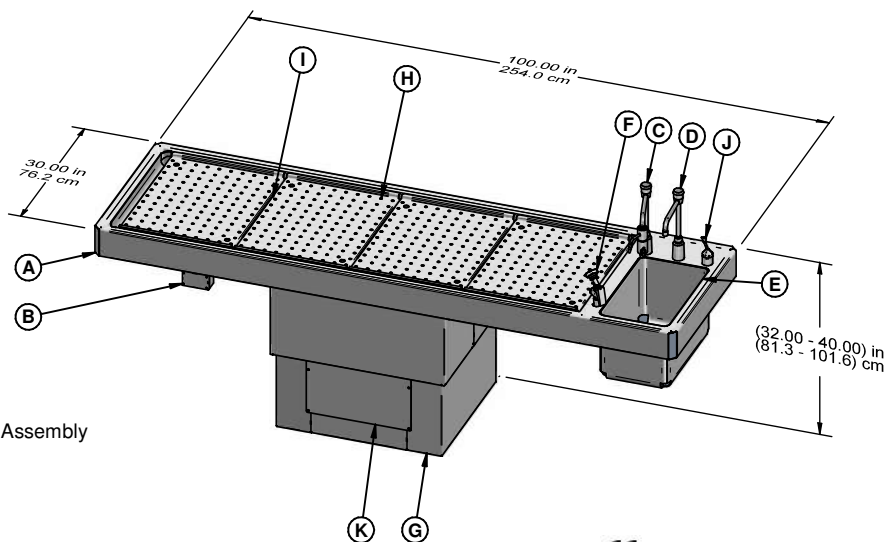
OC200 Elevating Necropsy Table

STANDARD FEATURES

- A Table Top
- B GFCI Electrical Outlet (2)
- C Hydro Aspirator
- D Fixture w/Swing Spout
- E Sink – 20" x 12" x 12"
- F Hand Spray
- G Pedestal
- H Removable Grid Plates (4)
- I Down Draft Ventilation System
- J Mixing Valve
- K Access Panel

OPTIONAL FEATURES

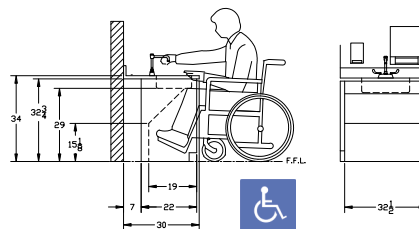
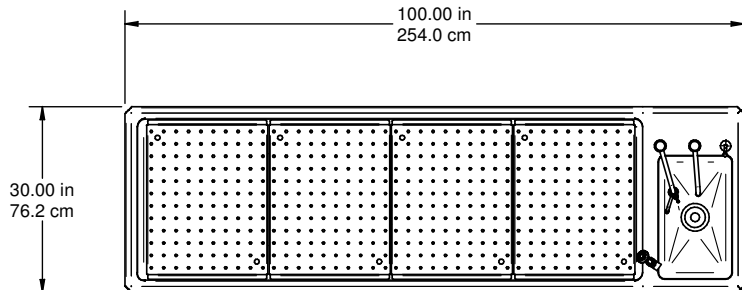
- OO025 Autopsy Table Perimeter Rinse Assembly
- OO026 Scale Stand Table Mount
- BL800 1 HP Disposal



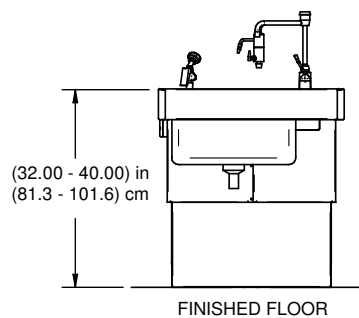
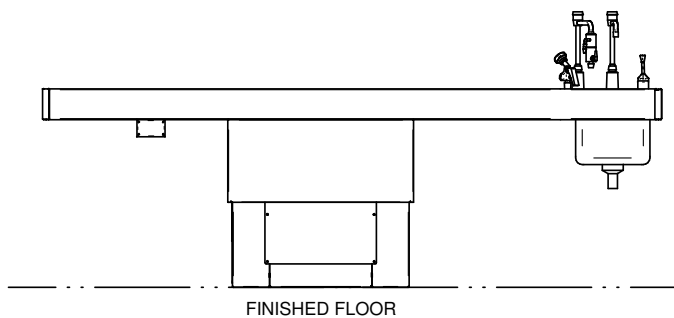
UL 61010:2004

CAN/CSA-C22.2

NFPA 79-2002



ADA Compliant



1

2

3

4

5

6

7

8

9

10

11

OC900 Small Necropsy Table (Model 8)

1

2

3

4

5



Shown with optional foot pedals

6

7

8

The OC900 Necropsy Table is a pedestal style table of all stainless steel construction that incorporates all of the convenient features necessary to efficiently perform a necropsy. The OC900 is the shortest version of pedestal style necropsy tables. This style also includes an integrally constructed sink into the table top as opposed to a sink wing. Unit comes standard equipped with Mopec's standard downdraft ventilation system. A hydro-aspirator is conveniently located near the sink basin for ease in collection and/or disposal of fluids. Electrical receptacles are provided on both sides of the table. A deck mounted sink spray with a high pressure hose allows complete rinsing of the table with the press of a single lever.

OC900 Standard Features

Integral Sink: Integral sink to front panel construction eliminates sharp eaves and ledges where bacteria can accumulate. All welded, seamless construction provides durability.

Hydro-Aspirator: Hydro-aspirator is located on the end of the table near the sink. The aspirator has a reversing valve to clear the aspirator of any foreign matter. The aspirator is designed to drain into the sink end for collection or disposal and is completely plumbed with control valve, vacuum breaker and tubing.

Hand Spray Rinse: Sink spray is a chrome plated brass fixture with a flow control valve and high pressure hose.

Electrical: Two GFCI protected duplex receptacles. Positioned one on each side of the pedestal.

Grid Plates: Grid plates are recessed 1/2" and supported on the edge without pins. Three independent grid plates are perforated and removable.

Pedestal: Table pedestal is fabricated of stainless steel with a #4 satin finish.

Fixture with Swing Spout: At one end of the table is a hot/cold fixture. The fixture is provided with a single lever hot/cold handle and a large swing spout faucet with vacuum breaker protection.

Recessed Table Top: Table top is fabricated of stainless steel with a #4 satin finish with integral sink

ISO: Quality Management System in compliance with ISO 9001:2008 and applies: Design, Engineering, Manufacturing and Installation of Equipment Distribution of Supplies for Morgue, Pathology, Histology and Necropsy Applications.

APPROVAL: TUV Listed & Certified: Tests to UL61010-1 :2004 standards in addition to CAN/CSA and NFPA standards. This listing covers the entire product as an entity and not just individual components.

OC900 Optional Features

BL800 Disposal: Heavy-duty 1 HP disposal, complete with on/off switch, water solenoid, vacuum breaker.

0007 Foot Pedal: Includes a dual foot pedal H/C water control valve and swing spout faucet for hands free control. Wrist blade handle controls are eliminated with this option.

0026 Scale Stand: Table mounted scale support socket. The stand includes a support socket and a support tube allowing the scale to swing over and drain into the sink. Scale and pan not included.

0037 Header Rinse with Control Knob: Ten nozzles for water distribution allows for ease of rinsing of table.

0047 Type 316 Stainless Steel: Table will be constructed of type 316 stainless steel.

Unit can be customized to fit your lab requirements with other additional options.

9

10

11

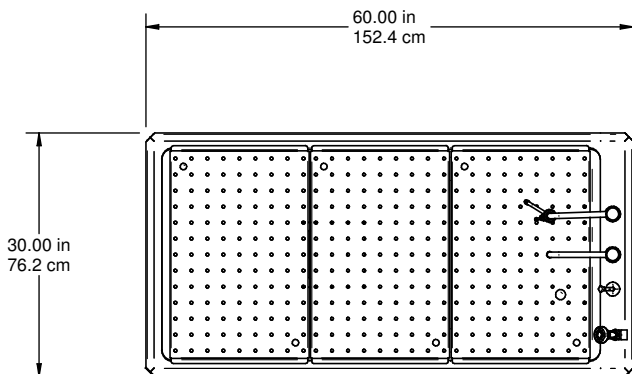
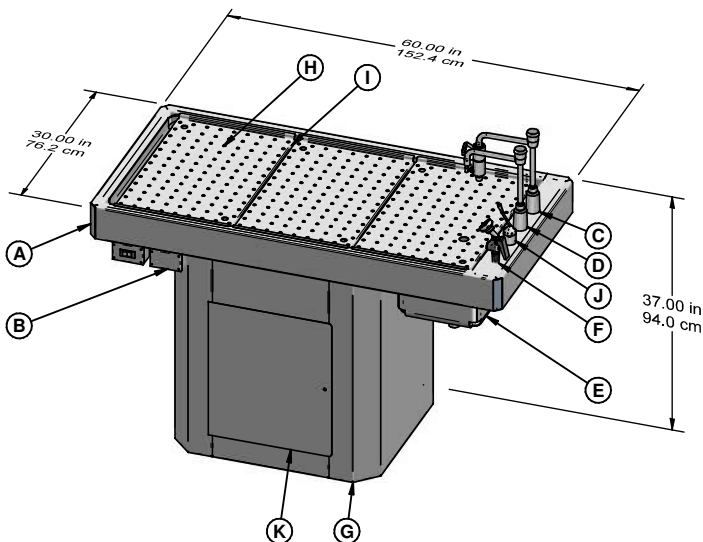
OC900 Small Necropsy Table (Model 8)

STANDARD FEATURES

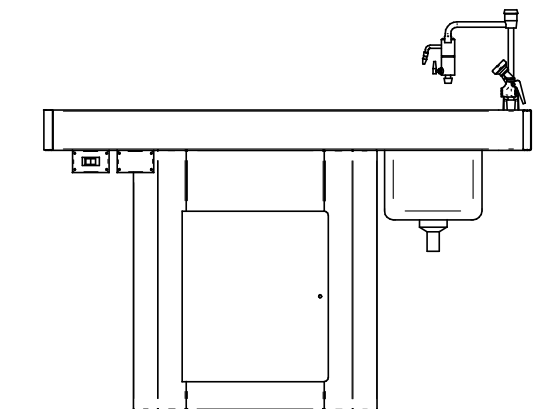
- A Table Top
- B GFCI Electrical Outlet (2)
- C Hydro Aspirator
- D Fixture w/Swing Spout
- E Sink - 14" x 12" x 11"
- F Hand Spray
- G Pedestal
- H Removable Grid Plates (3)
- I Down Draft Ventilation System
- J Mixing Valve
- K Access Panel

OPTIONAL FEATURES

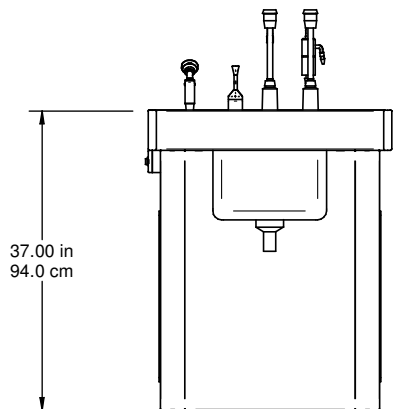
- OO007 Foot Pedal
- OO037 Header Rinse with Control Knob
- OO026 Scale Stand Table Mount
- OO028 Inch/Centimeter Scale
- BL800 1 HP Disposal



UL 61010:2004
CAN/CSA-C22.2
NFPA 79-2002



FINISHED FLOOR



37.00 in
94.0 cm

FINISHED FLOOR



OJ100 Portable Workstation

1

2

3

4

5

6

7

8

9

10

11



This portable downdraft workstation provides a large work surface, a perfect addition to any laboratory looking to expand functionality.

The downdraft system provides a safe environment, removing toxic vapors down and away from the user. The optional hand spray hose makes it easy to keep the workstation clean.

Easy to install, this workstation has quick disconnect hot and cold water and a flexible drain hose to drop into floor drain. Also a 10" quick disconnect exhaust ventilation duct is provided. Uses a standard 110 volt outlet. Unit comes with an eight foot, hospital grade line cord.

OJ100 Standard Features:

Table top and sink: Integrally fabricated with 14 gauge stainless steel with #4 satin finish.

Fixture with Swing Spout: This water fixture features convenient wrist blade handles, a gooseneck swing faucet and a vacuum breaker mounted directly on the faucet.

Casters: Casters are 5" diameter with heavy duty swivel wheels complete with swivel locks and wheel brakes. Maximum load capacity of 400 lbs.

Quick Disconnect: Hot and cold water shut-off.

Cord: Eight foot hospital grade line cord.

Removable perforated grid plates: Three grid plates are fabricated of stainless steel and are interchangeable. Once the grid plates are removed, a vented fluid collection trough is exposed.

Electrical: Two GFCI receptacles with watertight covers are located on each side of the workstation.

Ventilation Exhaust Duct: Ten inch diameter stainless steel duct connects to customer provided flex duct which keeps harmful fumes away from user.

ISO: Quality Management System in compliance with ISO 9001:2008 and applies: Design, Engineering, Manufacturing and Installation of Equipment Distribution of Supplies for Morgue, Pathology, Histology and Necropsy Applications.

APPROVAL: TUV Listed & Certified: Tests to UL61010-1 :2004 standards in addition to CAN/CSA and NFPA standards. This listing covers the entire product as an entity and not just individual components.

OJ100 Optional Features

00010 Hand Spray Hose: Chrome plated, brass hand sprayer with soft spray head for controlled rinsing of work surface. Complete with 60" (152.4 cm) high-pressure hose for heavy-duty use. Control valve included for pressure control, along with atmospheric vacuum breaker for water protection.

00047 Type 316 Stainless Steel: Table will be constructed of type 316 stainless steel.

Unit can be customized to fit your lab requirements with other additional options.

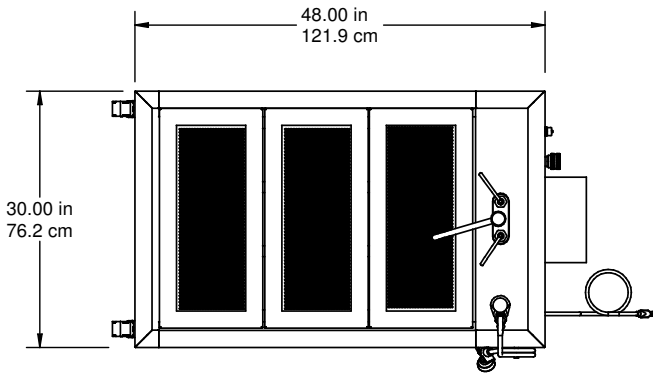
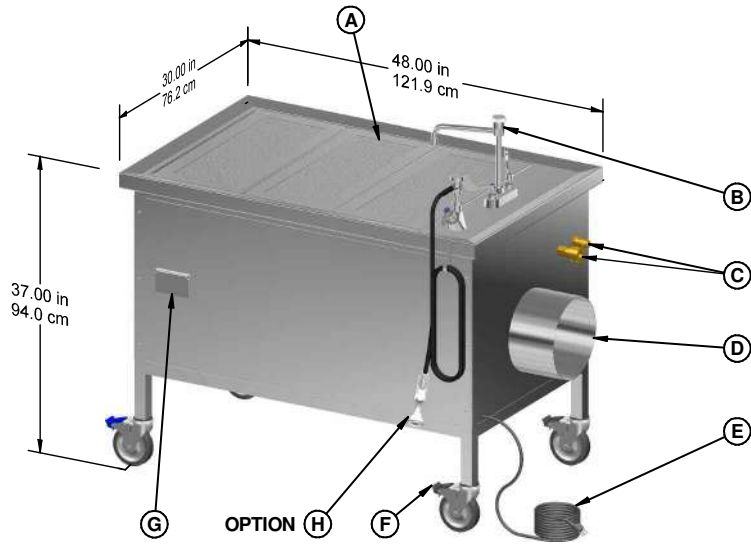
OJ100 Portable Workstation

STANDARD FEATURES:

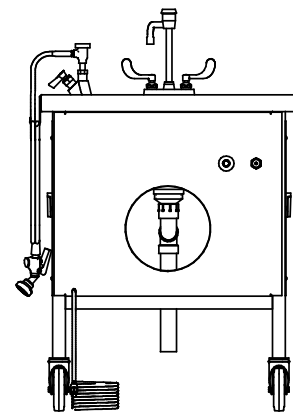
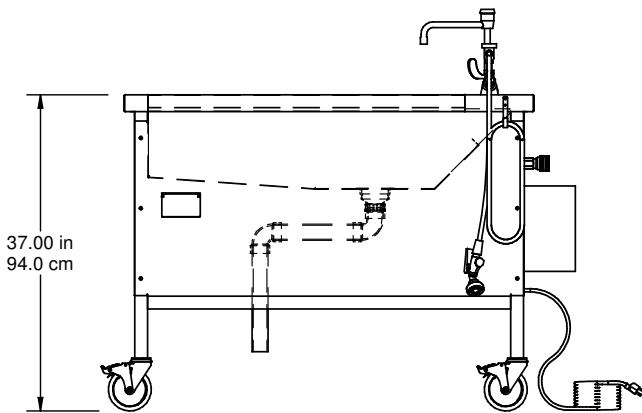
- A Removable Perforated Grid Plates
- B Hot/Cold Water Fixture with Swing Faucet
- C Hot/Cold Water Quick-Disconnects
- D Ventilation Exhaust Duct
- E Retractable Power Cord
- F Casters with Wheel Brake – Swivel Lock
- G GFCI Outlet, Both Sides

OPTIONAL FEATURES:

- H OO010 Hand spray hose



UL 61010:2004
CAN/CSA-C22.2
NFPA 79-2002



1
2
3
4
5
6
7
8
9
10
11

OL100 Downdraft Ventilated Bedding Disposal Portable Dump Station

1

2

3

4

5

6

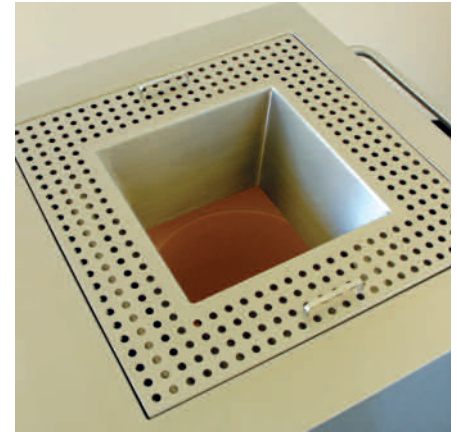
7

8

9

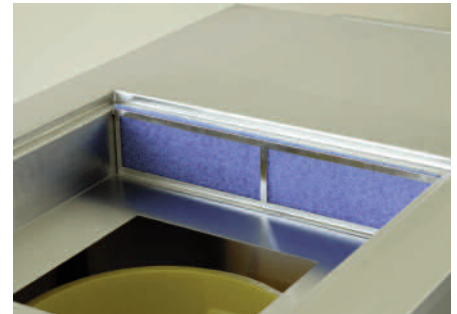
10

11



OL100 has powerful downdraft ventilation

Mopec's OL100 Downdraft Ventilated Bedding Disposal Station works with virtually any animal cage. Constructed of all stainless steel with an extra large (35" x 23") (88.9 cm x 58.4 cm) staging work surface. Access doors can be locked for safety. A self contained dust control fume evacuation system combined with a powerful HEPA filtration system necessary for a clean, safe and efficient environment. Downdraft vent cone 15" x 15" (38.1 cm x 38.1 cm).



The OL100 features a two stage HEPA filtration system

OL100 Standard Features

Table Top: The table top is fabricated of 16 gauge stainless steel.

Handles: Stainless steel push handles on both sides of station allow the OL100 to be pushed from room to room.

Casters: Three inch lockable casters.

Magnehelic Velocity Indicator Gauge: Monitors velocity of air being exhausted through the table exhaust plenum ensuring safety through the workplace. Airflow can be adjusted to meet facility safety standards.

Downdraft System: Mopec's downdraft system is a unique system of ventilating harmful and noxious odors during cage cleaning. Air evacuation is accomplished through downdraft ventilation cone and the dual filtration system.

Bucket: 20 Gallon portable braced bucket and stand enclosed in air chamber.

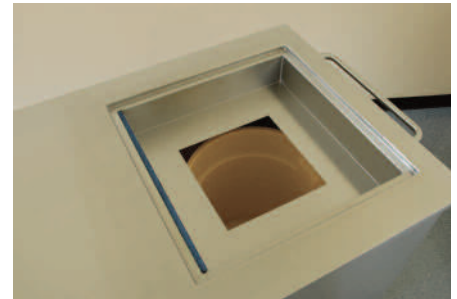
Powerful HEPA Filtration System: Dust control fume evacuation.

ISO: Quality Management System in compliance with ISO 9001:2008 and applies: Design, Engineering, Manufacturing and Installation of Equipment Distribution of Supplies for Morgue, Pathology, Histology and Necropsy Applications.

APPROVAL: TUV Listed & Certified: Tests to UL61010-1 :2004 standards in addition to CAN/CSA and NFPA standards. This listing covers the entire product as an entity and not just individual components.



Extra large HEPA filtration with full service access



OL100 is constructed of all stainless steel for easy cleaning



Portable Dumping Station features a 20 gallon mobile bucket

OD100 Fold-Up Wall Mount Table



OD100 Fully opened.

When you don't have room for a complete workstation, install the OD100, which provides a compact work area for multiple procedures. Prep, surgery and animal exams can be performed on this table. Designed to be wall mounted, this table drops to 90°. When finished, simply fold and lock in an upright position against the wall. One hand easy operation.

Made of 18 gauge stainless steel, the perimeter has a marine edge for containing fluids on the work surface. Load capacity is 300 lbs. Table dimensions are 20" W x 45" L.

OD100 Standard Features

- 18 Gauge stainless steel with all exposed welds ground and polished
- The pivoting assembly uses 2 nylon wheels that allow the table to be stored in an upright, vertical position when not in use
- Stainless steel release handle unlocks the table from an upright position to a 90° horizontal position
- Four holes are positioned on table for mounting



OD100 Folds up or down



1
2
3
4
5
6
7
8
9
10
11

OL200 Downdraft Ventilated Necropsy Station

Self-Contained

1

2

3

4

5

6

7

8

9

10

11



The OL200 Downdraft Ventilated Necropsy Station is a freestanding workstation that requires no special mounting to the floor or wall and incorporates all of the features necessary to efficiently complete a necropsy on small to mid-size animals. A standard feature on the OL200 workstation is a life-cycle filter timer to remind you when to change filters for a continuous fume free environment. Front access potassium permanganate replacement filters are easily changed. The work surface is equipped with a full perimeter rinse system making it easy to keep the basin clean. A standard feature on the OL200 is a water fixture with a pull out hand spray. Included are three perforated grid plates. In addition, three fine mesh grid plates are provided for smaller animal procedures. Another unique feature that is included with the Ventilated Necropsy Station is the self contained ventilation system, no in-house ventilation is needed. The OL200 is manufactured with four adjustable feet for final on site leveling to ensure a fully level work surface. A simple plumbing connection allows this unit to be fully functional in a short amount of time.

OL200 Standard Features:

Downdraft System: Mopec's downdraft system is a unique system of ventilating harmful and noxious odors. Air evacuation is accomplished through downdraft ventilation cone.

Fixture with Swing Spout: This water fixture features a convenient handle and a pull out hand spray rinse.

Sink: Integrally fabricated with 14 gauge stainless steel with #4 satin finish.

Removable perforated grid plates: Three grid plates are fabricated of stainless steel and are interchangeable. Once the grid plates are removed, a vented fluid collection trough is exposed.

Dual Rinse Bar: Provides a full perimeter rinse on all four sides of the work surface.

Electrical: A GFCI protected duplex receptacle is included, completely wired and ready for use.

ISO: Quality Management System in compliance with ISO 9001:2008 and applies: Design, Engineering, Manufacturing and Installation of Equipment Distribution of Supplies for Morgue, Pathology, Histology and Necropsy Applications.

APPROVAL: TUV Listed & Certified: Tests to UL61010-1 :2004 standards in addition to CAN/CSA and NFPA standards. This listing covers the entire product as an entity and not just individual components.

OL200 Optional Features

00047 Type 316 Stainless Steel: Workstation will be constructed of type 316 stainless steel.

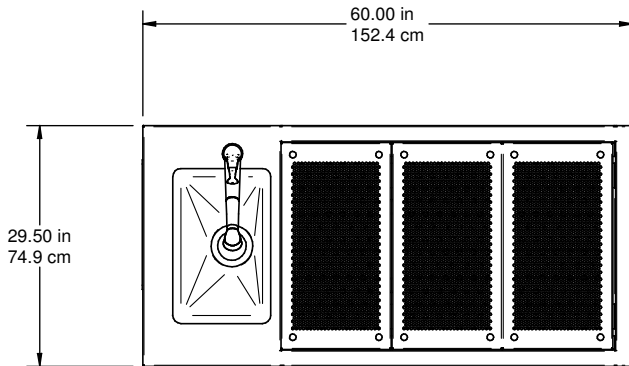
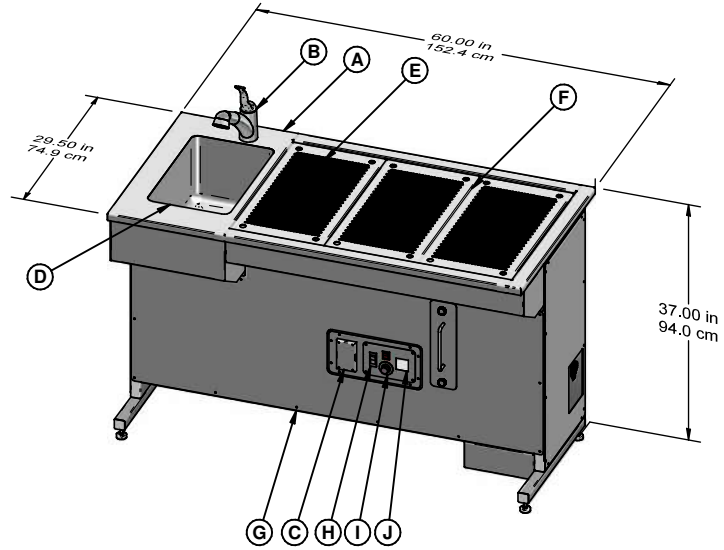
Unit can be customized to fit your lab requirements with other additional options.

OL200 Downdraft Ventilated Necropsy Station

Self-Contained

STANDARD FEATURES

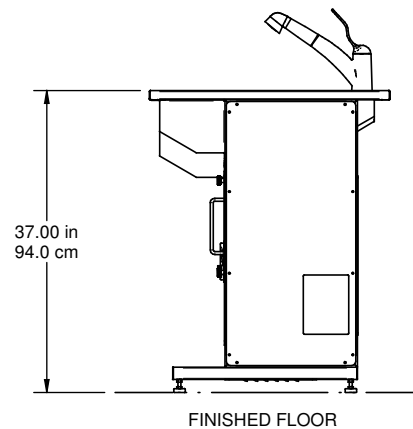
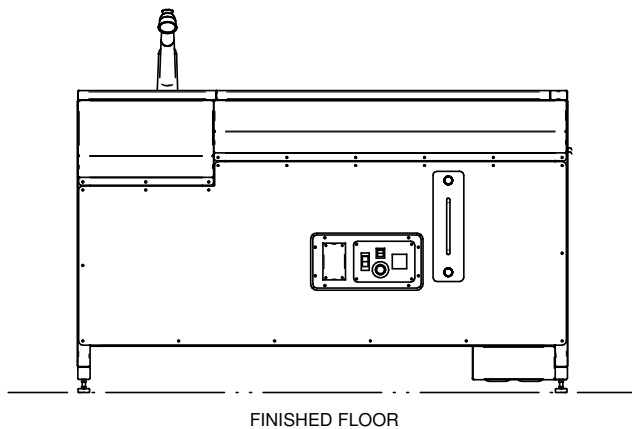
- A Table Top
- B Fixture w/Swing Spout
- C GFCI Electrical Outlet
- D Sink – 19" x 12" x 10"
- E Removable Grid Plates (3)
- F Down Draft Ventilation System
- G Access Panel
- H Main Circuit Breaker Switch
- I Fan Control Switch
- J Filter Timer



UL 61010:2004

CAN/CSA-C22.2

NFPA 79-2002



Index

A

Adapter, Ventilation	127
Aspirators	106
Autopsy Carts	
DA Series Stationary	232-233
DB Series Elevating	234-235
DC Series Tilting/Elevating, Bariatric 236-241	
DD Series Body Tray Saddle	242-243
DE Series Roller Tray	244-245
DF100	246-247
HE100 Portable	284-285
GA Series Cart Tops	290-291
Autopsy Saws	
Bone Cutting	49
Mopec Autopsy Saw	75
Reconditioning	77
Blades	78-79
Autopsy Scales	98-99
ACCULAB	101-102
Floor	104
Autopsy Sinks	
C Series	218-231
Service Table CE850	278-279
Autopsy Tables	
Bariatric Elevating and Rotating	258-259
CE200 Elevating Pedestal	256-257
CE210 Elevating Bariatric	258-259
CE300 Rotating Pedestal	260-261
CE310 Rotating Elevating	262-263
CE340 Windsor	264-265
CE350 Salisbury	266-267
CE400 Short	268-269
CE500 Non-Vented	270-271
CE600 "L" Shaped, Integral Right Wing	272-273
CE650 Elevating "L" Shaped, Left Wing	274-275
CE700 "L" Shaped, Integral Left	272-273
Wing	272-273
CE750 Elevating "L" Shaped, Left Wing	274-275
CE800 Service Island	276-277
CE850 Service Table	278-279
CE900 Pedestal	280-281
HL100 C-Arm X-Ray	286-287
B	
Bags, Medical	66
Balances, Scales	100
Base Cabinets	399-403
Baths, Water Flotation	
Illuminated	112
Lighted Tissue	112
Round Tissue	112
Bayonet Forceps	18
BF Series	
BF400 Tabletop Station	130-131
BF450 Tabletop Station	131

BF500 Totaldraft Workstation	132-133
BF510 Totaldraft Workstation	135
BF550 Totaldraft Workstation	134
BF600 Downdraft Work Cell	129
Binocular Magnifying Loupe	60
Blades	
Autopsy Saw	78-79
Round	79
Round – SuperCut	79
Sectioned (Large)	78
Sectioned (Small)	78
Spinal Column	78
Dissecting	40-41
Handle	40-42
Scalpel	41
Removal	42, 44-45
Blade Remover	
Disposal	42
Stainless Steel	42
Boards, Dissection	86-87
Body	
Bags	90-93
Carriers	334-341
Lifts	344-355
Lift Straps	356
Body Tags	93
Body Trays	
Tray/Cadaver Transporter	329
Bodyrest	88
Body Fluid Scoop	55
Body Slats	89
Body transfer board	89
Bone	
Bone Cutting Autopsy Saws	78-79
Bone Dust Collector	74
Gigli Saws	55
Mallets	53
Rib Shears	51
Saw	49
Skull Breaker	52
Book Holder, Mobile	110
Bowl Strainer, Standard	81
Brushes, Cleaning	
Nylon	70
Stainless Steel	70
Bucket, Mortuary, Stainless Steel	81
Bullet Probes	59
C	
Cabinets	
Base	399-403
Casework Assembly	390-406
Corner Base	403
Dead Wall	396
Pathology, Vented	406
Slope Tops, Ceiling Fillers	404
Specialty	402
Stainless Steel Tops and Sinks	404
Tall Storage	397-398
Wall Cabinets	394-395

Cadaver

Body Straps	356
Body Tray Transporter	
2 Tier	330-331
4 Tier	330-331
5 Tier	332-333
Carriers	342
Carrier Two-Body	343
Concealed (Covered) Carrier	336
Covers	338
Cadaver Lift	344
Motorized	352
Non-Motorized	353
Lift Accessories	356
Cantilever Storage Rack	318-321
Capture Hood, Fume	136-137
Caliper	68
Carbide, Tungsten Scissors	
Dissection	14
Iris	14
Mayo	14
Metzenbaum	14
Carbide, Tungsten Forceps	
Adson	27
Dressing	27
Potts-Smith	27
C-Arm X-Ray Table	286-287
Carriers, Cadaver	
Cover	366
Single Body	340-342
Carts, Autopsy	
DA Series Stationary	232-233
DB Series Elevating	234-235
DC400 Bariatric	238-239
DC500 Bariatric	240-241
DC Series Tilting/Elevating	236-237
DD100/DD200 Body Tray Saddle	242-243
DE Series Roller Tray	244-245
DF100 Flush Perforated Surface	246-247
HE100 Portable	284-285
Carts, Specimen Transport	109
Cart Tops	240-241
Cavity Mirror	55
Chain Hook, Triple	61
Chair, ErgoPath	216
Chill Tray	124
Chisels	
Bone	32
Brunetti's Chisel	32
Osteotomes	32
Cleaning Products	
Bench Spray & Wipe Cleaner	70
DEODORx/Plus	71
EASY SOAK Instrument Cleaner	70
Path Cloud Cleaner & Disinfectant	70
PathWipes	69

Index

Stainless Steel Cleaner & Polish	71
Stainless Steel Polishing Wipes	69
Cleaning Brushes	70
Collection System, Fluid	107
Containers, Storage	118
Coplin Staining Jar	117
Corner Base Cabinets	403
Countertop Grossing Workstations	156-159
Covered Cadaver Carrier	336
Cover for Cadaver Carrier	338
Cover for LD500	141
Curetage Collector	58
Curved Postmortem Needles	63
CutMate Forceps	24
Cutting Boards	
Disposable	87
Neoprene	87
Neoprene with Legs	87
Polyethylene	86
Polyethylene with Legs	86
Tabletop Stainless Steel	85
D	
Decalcifier - DecalQwk	116
Delicate Specialty Forceps	23
Delicate Tissue Forceps	23
DEODORx™/Plus	71
Digital Tissue Float	112
Director, Grooved Needle	58
Dishes, Staining	117
Disinfectant	
Lysol I.C. Disinfectant	71
DEODORx™/Plus	71
Spray	71
Disposable	
Blade Remover	42, 44-45
Blades	40-42
Cutting Boards	87
Forceps	21
Headrest	88
Hemostatic Forceps	25
Macro-Prep Knives	36-37
Scalpels	39
Scissors	17
Dissecting Kit, Student	61
Dissecting Retractor	56
Dissection	
Boards	86-87
Forceps	18-19
Pins	87
Stainless Steel Drain Tray	107
Dissection/Necropsy	
Large Animal	410-413
Large Animal, Tilt	412-413
Small Animal, Rotating	416-417
Dissection Scissors	
Blunt/Blunt	5
Disposable	17
Doyen Abdominal	11
Enterotomy	10
G. I. Enterotomy	10
Sharp/Blunt	4
Sharp/Sharp	4
Dissection Stations	
HF100	314-315
HF200	316
Dissection/Grossing Tables	
HA Series	296-303
HA100 Recessed Top	296-297
HA200 Creased Top	298-299
HA300 Removable Tray	300-301
HB Series	304-311
HB100 Hinged Cover	304-305
HB400 Downdraft	306-307
HB450 Downdraft	308-309
HC Series Dissection Table	148-149
HG Series Totaldraft	200-203
Dissection Tanks	312-313
Drape, Autopsy Head	89
Dryer, Laboratory Slide	113
Dump Station	438
Dura-Strip Forceps	50
E	
EAZY SOAK Instrument Cleaner	70
Electronic Balances	100
Elevating Autopsy Carts	234-235
Elevating Grossing Workstation	144-155
Embalming	
CF Series	248-249
CF100 Right Approach	250
CF200 Left Approach	250
CF300 Center Approach	251
CF400 Embalming Cart	252
CF500 Embalming Work Cell	405
FD200 Station	282
Enterotomy Scissors	10
Enzyme Instrument Cleaner	71
ErgoGross Workstation	146-151
Ergonomic Forceps	26
ErgoPath Chair	216
Evidence Storage Cabinet	108
Extension, Hydro-Aspirator	106
F	
Filtering System, Fume Hood	126-127
Filters	
Chemical	139
HEPA	139
Particle	139
Flexible Probes	58
Floor Scale	104-105
Flotation Baths, Tissue	
Digital	112
Illuminated	112
Lighted Tissue Float Bath	112
Round	112
Fluid Collection System	107
Fold Up Table OD100	439
Forceps	
Adson	18
Angled	23
Bayonet	18
Curved Tip, Serrated	21
CutMATE	24
Delicate-Tissue	23
Disposable, plastic	21
Disposable, stainless steel	21
Dissection	18-19
Dressing	27
Dura-Strip	50
Ergonomic	26
Forceps Jars	60
Halstead Mosquito	25
Hemostatic Forceps	25
Imprinted	29
Iris Tissue	20, 28
Kelley	25
Kuehne Coverglass	21
Liston Bone Cutting	50
Magnifier	29
Micro-Grooved Tissue	28
Plastic	21
Potts Smith	27
Pro-Cut	24
Rochester Ochsner	25
Rochester Pean	25
Rubber Tipped	22
Russian Tissue	20
Serrated Tissue	28
Specimen Paddle	22
Standard	18-21
Wide Paddle	22
Forcep Grip	31
Formalin, Gravity Fed Dispensing	215
Formalin Pump System	214
Freezer Reach In	123
Freezer Under Counter	122
Fume Exhaust Hoods	126-127
Fume Module	126-127
Fume Ventilation Adapter	126-127
Funnels, Stainless Steel	82
G	
Gigli Saw	55
Glass Slide Storage	119
Glove Dispensers	103
Glove, Stainless Steel	103
Gravity Fed Formalin Dispensing	215
Grips, Forcep and Scalpel	30-31
Grooved Needle Director	58
Grossing Knife	38
Gross Dissection Workstations	
BF500-BF550 Downdraft	198-199
BF600 Counter Downdraft	405
HC Series Dissection Tables	
HC100/HC200/HC300	198-199

Index

HG Series Totaldraft	200-203
HG100	200-201
HG200	200-201
HG300	202
HG400	203
HG500/HG600	204
HH100 Disabled	206-207
HI100, HL150 Vent-Back	208-209
HL048, HL072, HL096, HL120	212-213
HK Series	
HK100	210
HK110	210
HK200	210
HK300	211
HK400	211
HL Series	
HL048, 092, 072, 120Backdraft	
Ventilated	212-213
MB Series	
MB100 Grossing	156-157
MB200 Grossing	158-159
MB400 Grossing	160-161
MB450 Grossing, Shared Sink	162-163
MB600 Grossing, Elevating	166-167
MB650 Grossing, Elevating, Knee Space	168-169
MB700 Grossing, Elevating	
Wall Mount	170-171
MC100 Grossing Workstation, Dual	172-173
MD100 Island Workstation	188-189
ME Series	
ME100 Dualdraft	178-179
ME200 Dualdraft	180-181
ME300 Dualdraft	182-183
ME400 Dualdraft	184-185
ME600/ME650 Dualdraft	186-187
MG100 Elevating Workstation	146-151
MK Series	
MK100 Elevating	190-191
MK200 Elevating	192-193
MK300 Downdraft T-Shaped	194-195
H	
Half Curved Postmortem Needles	63
Halstead-Mosquito Forceps	25
Hammer, Postmortem	53
Hand-Held Knife Sharpener	47
Handles, Blade	40-41
Hanging Scale	98-99
Headcovers	89
Headrests	
Disposable	88
Plastic Sani-Block	88
Rubber Sani-Block	88
Stainless steel	88
Stainless steel with strap	89
Hemostats, Forceps	25
Halstead Mosquito	25
Kelley	25
Rochester Pean	25
Rochester Ochsner	25
Hone Sharpener	48
Hook, Double Prong Flesh	58
Hospital (Mortuary) Bucket	81
Hydraulic Fork Lift Non Powered	352-353
Hydraulic Fork Lift Powered	352-353
Hydro-Aspirator, Extension	106
Hydro-Aspirator, Vacuum	106
I	
Illuminator Tissue Flotation Bath	112
Illuminators, X-Ray	95
In House Ventilation	
BF450	131
OG150	426
Instrument	
Bin with Strainer	81
Cases	61
Cleaner, Enzyme	71
Cleaning Brushes, Nylon	70
Cleaning Brushes, Stainless Steel	70
Tray	80
Tray Cover Sets	80
Iris Scissors	12
Iris Scissors SuperCut	13
Iris Scissors, Tungsten Carbide	14
Iris Tissue Forceps	20, 28
J	
Jars, Forceps	60
Jars, Staining	117
K	
Kelley Forceps	25
Knife Holder	60
Knife Sharpeners	46-48
Knives	
Autopsy Dissection	33-35
Brain	36-37
Cartilage	36-37
Disposable Macro-Prep Standard	36
Disposable Macro-Prep Premium	37
German Autopsy Dissection	34-35
Handle	41
Heavy Pattern	33
Specimen	34
Lung	36-37
Rib Cutting	52
Ruled	33
Sani-Safe	38
Sharpener (3-Way)	46
Sharpener, Hand-Held	47
Surgical	36-37
Trimming	36-37
L	
Laboratory Refrigerators	122-123
Laboratory Slide Dryer, Roto-Dry	113
Lead Bone Mallet	53
Lift Bar, Body Tray	351
Lift, Cadaver	344-350
Lift, Cadaver/Body Straps	356
Lift, Overhead	354-355
Lift, Fork – Cadaver	
JA300 Single	342
JA300 Single	342
JA305, 405 Hydraulic	352-353
JA600 Hydraulic	336-337
JD620 Elevating	339
JD710/JD715	350
JD400 Roller Pallet	348
JD600 Straps	356
JD500 Tray Lift Bars	356
JD3000 Overhead Body Lift	354-355
Lighted Tissue Flotation Bath	112
Light	
Ceiling Mounted	97
Dissection	96-97
Portable	96
Surgical	96-97
Track	97
Wall Mount	97
Limb Lock	83
Liston Bone Cutting Forceps	50
Loupe, Binocular Magnifying	60
Lubricant, Spray	71
Lung Knife	36-37
M	
Macro Knives	36-37
Magnifying, Binocular Loupe	60
Magnifying Forceps	29
Mallets, Bone	53
Mayo-Hegar Needle Holder	64
Mayo Scissors	7
Mayo Scissors, SuperCut	13
Mayo Scissors, Tung. Carbide	14
Medical Bags	66
Metacarpal Saw	49
Metzenbaum Scissors	9
Metzenbaum Scissors, SuperCut	13
Metzenbaum Scissors, Tung. Carb.	14
Micro Iris Scissors	16
Micro Iris Tissue Forceps	28
Micro Scissors	16
Micro Serrated Tissue Forceps	28
Micro Tissue Forceps	28
Microscope Slide	
Holder	119
Storage	119
Microtome Blades	
Disposable, Bulk	116
Microtome Object Disks	116
Microtome Tray	116
Mobile Book Holder Station	110
Module, Fume	126-127
Mopec Autopsy Saw	75
Mortuary (Hospital) Bucket	81
Mortuary Cabinets	390-406
Mortuary Racks	322-328
Mortuary Refrigerators	
KA100 End, 1 Body	362

Index

Arbor	78	Dissection	14	Cabinets, Tall	397-398
Arbor Wrench	78	Iris	14	Microscope Slides	119
Autopsy, Mopec	75	Mayo	14	Rack, Cadaver/Mortuary	324-328
Blade		Metzenbaum	14	Rack, Portable	318-319
Round	79	Self Contained Necropsy Station	440-441	Strainer	81-82
Round, SuperCut	79	Sharp/Blunt Scissors	14	Strainer, Standard Bowl	81
Sectioned (Large)	78	Sharp/Sharp Scissors	14	Strainer, Specimen	82
SuperCut	79	Section Lifter Sigle Ended	55	Straps, Body (Cadaver)	356
Sectioned (Small)	78	Sharpeners		Student Dissecting Kit	61
Spinal Column	78	Bone Shear	43	Student Instrument Cases	61
Bone	78-79	Knife	47	SuperCut	
Gigli	55	Mopec 3-Way	46	Iris Scissors	13
Metacarpal	49	Scissors	43	Mayo Scissors	13
Mopec Autopsy	75	Shears		Metzenbaum	13
Reconditioning Service	77	Bone/Rib	51	Stevens Tenotomy	13
Satterlee	49	Sinks, Autopsy, Wall Mount		Surgical Blades	39, 41
Satterlee Blade	49	C Series	218-231	Surgical Light	
ZawBones	76	CA100 Right Approach	220	Ceiling Mount	97
ZawBones Replacement Blades	76	CB100 Left Approach	221	Portable	96
Scales	98-102	CC100 Center Approach	222-223	Track	97
Scalpels		CC300 Dual Approach	224-225	Wall Mount	97
Blades	39, 41	Sinks, Wall Mounted Elevating Autopsy		Surgical Scissors, SuperCut	13
Disposable	39	CA200 Right Approach	229	T	
Grip	30-31	CB200 Left Approach	230	Tables, Autopsy	
Handles	40-41	CC200 Center Approach	231	CE Series	254-281
Scissors		Skin Punch	66	CE100 Pedestal	254-255
Blunt/Blunt	5	Sink, Scrub CH Series	292	CE200 Elevating	256-257
Delicate Double Curved, Sharp	11	Skull Breaker	52	CE210 Elevating, Bariatric	258-259
Disposable	17	Slide		CE300 Rotating	260-261
Dissection	4-7	Slide Dryer, Roto-Dry	113	CE310 Rotating/Elevating	262-263
Doyen Abdominal	11	Slide Holder	119	CE340 Windsor	264-265
Dubois Decapitation	8	Slidestaining Tray Kit	115	CE350 Salisbury	266-267
Enterotomy	10	Slide Storage Cabinet	119	CE400 Short	268-269
Enterotomy, Left Handed	10	Spinal Cord	59	CE500 Economical	270-271
Iris	12	Specimen Pins	87	CE600 "L" Shaped, Integral Right	
Iris SuperCut	13	Specimen Transport Carts	109	Wing	272-273
Iris Tungsten Carbide	14	Spray Lubricant	71	CE650/CE750 "L" Shaped Elevating	
Mayo	7	Staining Dish with Cover	117	Wing	274-275
Mayo Nobel	8	Staining Jars	117	CE700 "L" Shaped, Integral Left	
Mayo SuperCut	13	Staining Tray with Handle	118	Wing	272-273
Mayo Tungsten Carbide	14	Stapler, Postmortem	65	CE800 Service Island	276-277
Metzenbaum	9	Stainless Steel		CE850 Service Table	278-279
Metzenbaum SuperCut	13	Autopsy Cart Top	290-291	CE900 Pedestal	280-281
Micro	16	Body Tray	351	Necropsy	
Micro Iris	16	Cabinets	389-406	Dump Station	438
Sharp/Blunt	4, 13-14	Cleaner & Polish	71	Fold-up	439
Sharp/Sharp	4, 14	Dissection Drain Tray	87	Large Animal	410-413
Specialty	7-11	Funnel	82	Large Animal, Tilt	410-413
Stevens Tenotomy SuperCut	13	Instrument Cleaning Brushes	70	Medium Animal	420-421
SuperCut	13	Podium/Supply Cart	110	Portable Work	439
SuperCut Dissection	13	Polishing Wipes	69	Small Animal, Rotating	416-417
Titanium	15	Sinks	297	Tables, Bariatric	
Scissors, SuperCut		Standard Tissue Forceps	19	CE210 Elevating	262-263
Dissection	13	Stations, Dissection		Tables, Dissection	
Iris	13	HF100	314-315	HA Series	296-303
Mayo	13	HF200	316	HA100 Recessed Top	296-297
Metzenbaum	13	Sterilization Set	80	HA200 Creased Top	295-299
Stevens Tenotomy	13	Stevens Tenotomy Scissors, SuperCut	13	HB Series	304-311
Scissors, Tungsten Carbide		Storage		HB100 Hinged Cover	304-305

Index

HB400	306-307
Table, C Arm X-Ray	288-289
Tall Storage Cabinets	397-398
Teasing Needles	58
Tags, Body	93
Thread	
Poly Cord	64
Unwaxed Cord	64
Waxed Cord	64
Ti-Alloy Scissors	15
Tissue Floatation Baths	112
Tools, Prong Dissection	54-56
Tops, Cart	
GA Series	290-291
Inner Trough	290
Stainless Steel	290
Track Surgical Light	97
Transfer Dyes	115
Transporter, Cadaver/Body Tray	
2 Tier	330-331
4 Tier	330-331
5 Tier	330-331
Trays, Body	
JC Series	351
Polyethylene X-Ray	351
Stainless Steel	351
Tray, Instrument	80
Tray, Staining	115
Trimming Station, Dualdraft OG900	430-431
Triple Chain Hook	61
Trocars	107
Tubing, Clear Plastic	107
Tungsten Carbide Forceps	
Adson	18
Dressing	27
Potts-Smith	27
Tungsten Carbide Scissors	
Dissection	14
Iris	14
Mayo	14
Metzenbaum	14
Two Body Carrier	343
U	
Unwaxed Postmortem Thread	64
U.S. Army Pattern Osteotome	32
Utility Bin with Strainer	80
V	
Vacuum, HEPA Replacement Filter	74
Vented Cabinets	406
Ventilated Tissue Storage	140
Ventilation Adapter, Fume	126-127
Virchow Skull Breaker	52
W	
Wall Cabinets	394-395
Wall Cabinets, Dead Corner	396
Wall Mounted Autopsy Sinks	
CA100 Right Approach	220
CB100 Left Approach	221

CC100 Center Approach	222
CC300 Dual Approach	224-225
Wall Mounted Elevating Autopsy Sinks	
CA200 Right Approach	229
CB200 Left Approach	230
CC200 Center Approach	231
Wall Mounted Fold Up Table	439
Wipes	
Stainless Steel	69
Workstations, Embalming	
CF Series	248-249
CF100 Right Approach	250
CF200 Left Approach	250
CF300 Center Approach	251
CF400 Embalming Cart	252
CF500 Embalming Work Cell	405
Workstations, Grossing	
BF500 Back-Downdraft	132-133
BF510 Back-Downdraft	135
BF550 Freestanding Back-Downdraft	134
BF600 Counter Downdraft	405
BF900 Dualdraft	136-137
HC Series Dissection Tables	198-199
HG Series Totaldraft	200-201
HG100/HG200	200-201
HG300	202
HG400	203
HG500/HG600	204-205
HH100 Disabled	206-207
HI100/HI150 Vent-Back	208-209
HK Series T-Wing	210-211
OG200 Back-Downdraft	427
OG900 Dualdraft	430-431
MB Series Backdraft	152-171
MB100 Grossing	156-157
MB200 Grossing	158-159
MB400 Grossing	160-161
MB450 Grossing	162-163
MB600 Grossing, Elevating	166-167
MB650 Grossing, Elevating	168-169
MB670 Grossing, Elevating	164-165
MB700 Grossing, Elevating	170-171
Wall Mount	170-171
MC100 Grossing, Dual	172-173
MD100 Island	188-189
ME Series Dualdraft	178-187
ME100	178-179
ME200	180-181
ME300	192-183
ME400	184-185
ME600/650	186-187
MG100 Grossing, Elevating	146-151
MK100/MK200 Elevating	190-193
MK300 Downdraft T-Shaped	194-195
OK300 Downdraft T-Shaped	408-409
Workstations, Portable	
OJ100	436-437
Wrench, Arbor	78

X

X-Ray Table, C-Arm	288-289
X-Ray Illuminator	95